

Installation Instructions

30 and 36" Electric Cooktop - Radiant

Excludes Down-Draft Models

? If you have questions, call 800.GE.CARES or visit our website at: GEAppliances.com.

BEFORE YOU BEGIN

Read these instructions completely and carefully.

- **IMPORTANT** – Save these instructions for local inspector's use.
- **IMPORTANT** – Observe all governing codes and ordinances.
- **Note to Installer** – Be sure to leave these instructions with the Consumer.
- **Note to Consumer** – Keep these instructions for future reference.
- Product failure due to improper installation is not covered under the Warranty.

⚠ WARNING – This appliance must be properly grounded.

• **ATTENTION INSTALLER** – ALL COOKTOPS MUST BE HARD WIRED (DIRECT WIRED) INTO AN APPROVED JUNCTION BOX. A "PLUG AND RECEPTACLE" IS NOT PERMITTED ON THESE PRODUCTS.

- Proper installation is the responsibility of the installer and product failure due to improper installation is NOT covered under warranty.

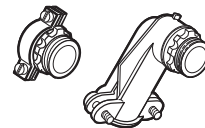
MATERIALS YOU WILL NEED



Junction Box



Wire Nuts



90° or Straight Squeeze Connector for 1" Conduit

TOOLS YOU MAY NEED



Pencil



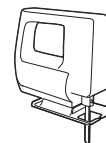
Phillips Head Screwdriver



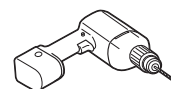
Ruler or Straightedge



Safety Glasses



Saber Saw

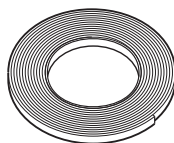


1/8" Drill Bit & Electric or Hand Drill

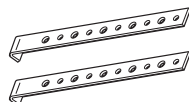
PARTS INCLUDED



4 Screws
(WB01X1137)



Foam Tape
WB06K5042



2 Hold Down
Brackets

CUTTING THE COUNTERTOP

If you are installing the cooktop in a solid surface material such as granite, quartz or any other natural or synthetic solid surface, we recommend that the cutout be prepared by a professional cabinet or countertop installer.

Cooktop cutouts in wood or wood-laminate countertops may be able to be prepared using a saber saw and electric drill.

Installation Instructions

IMPORTANT SAFETY INSTRUCTIONS

FOR YOUR SAFETY

- For Personal Safety, remove house fuse or open circuit breaker before beginning installation. Failure to do so could result in serious injury or death.
- Be sure your cooktop is installed properly by a qualified installer or service technician.
- To eliminate the risk of burns or fire due to reaching over heated surface elements, cabinet storage located above the surface units should be avoided. If cabinet storage space is to be provided, the risk can be reduced by installing a range hood that projects horizontally a minimum of 5" beyond the bottom of the cabinets. Cabinet installation above the cooktop may be no deeper than 13".
- Make sure the cabinets and wall coverings around the cooktop can withstand the temperatures (up to 200°F) generated by the cooktop.
- The cooktop should be easy to reach and lighted with natural light during the day.
- Always disconnect the electrical service to the cooktop before repairing or servicing the cooktop. This can be done by disconnecting the fuse or circuit breaker. Failure to do this could result in a dangerous or fatal shock. Know where your main disconnect switch is located. If you do not know, have your electrician show you.

ELECTRICAL REQUIREMENTS

This appliance must be supplied with the proper voltage and frequency, and connected to an individual, properly grounded branch circuit, protected by a circuit breaker or a time delay fuse as noted on name plate.

We recommend you have the electrical wiring and hookup of your cooktop connected by a qualified electrician. After installation, have the electrician show you where your main cooktop disconnect is located.

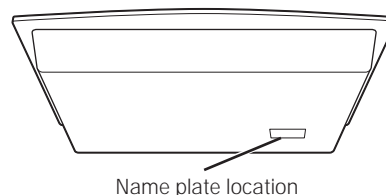
Wiring must conform to National Electrical Code. You can get a copy of the National Electrical Code, ANSI/NFPA No. 70-Latest Edition, by writing to:

National Fire Protection Association
Batterymarch Park
Quincy, MA 02269

The cooktop conduit wiring is approved for copper wire connection only, and if you have aluminum house wiring, you must use special UL approved connectors for joining copper to aluminum.

You must use a two-wire, three conductor 208/240 VAC, 60 Hertz electrical system. A white (neutral) wire is not needed for this unit. The cooktop must be installed in a circuit that does not exceed 125 VAC nominal to ground.

Refer to the name plate on your cooktop for the KW rating for your cooktop.

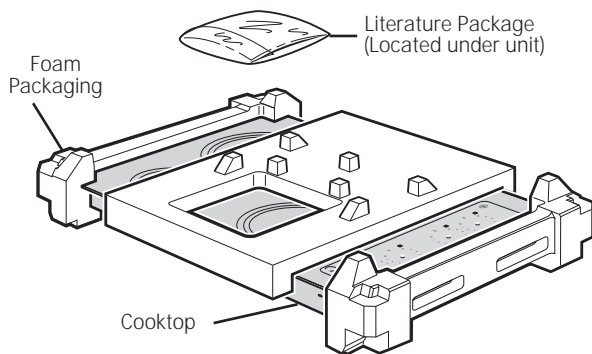


Installation Instructions

PRE-INSTALLATION CHECKLIST

⚠ WARNING – The electrical power to the cooktop supply line must be shut off while connections are being made. Failure to do so could result in serious injury or death.

- A** When preparing cooktop opening, make sure the inside of the cabinet and the cooktop do not interfere with each other. (See section on preparing the opening.)
- B** Remove packaging materials and literature package from the cooktop before beginning installation.



- C** Be sure to place all literature, Owner's Manual, Installations, etc. in a safe place for future reference.
- D** Make sure you have all the tools and materials you need before starting the installation of the cooktop.
- E** Your home must provide the adequate electrical service needed to safely and properly use your cooktop. (Refer to section on electrical requirements.)
- F** When installing your cooktop in your home, make sure all local codes and ordinances are followed exactly as stated.
- G** Make sure the wall coverings, countertop and cabinets around the cooktop can withstand heat (up to 200°F) generated by the cooktop.

H Installing cooktop in combination with other products.

Both products must be installed according to their specific product installation instructions. Consideration must be given the separate electrical requirements and locations:

Over one or two wall ovens:

- Only certain models may be installed over wall ovens. The wall oven and cooktop will both have a label stating which models are approved in combination.

Over a Microwave:

- See microwave installation instructions for how to install a microwave under a cooktop. For vertical dimension of cooktop, see Approximate Cooktop Dimensions section.

In combination with telescopic downdraft vent:

- See telescopic downdraft vent instructions for how to install a vent behind a cooktop.
- The countertop must have a deep flat surface to accommodate the combined installation of the cooktop and vent.

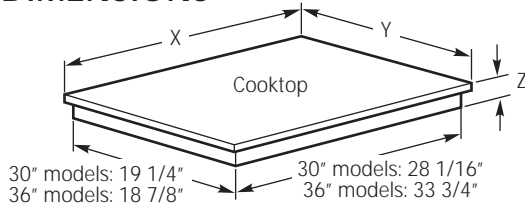
Over a warming drawer:

- See warming drawer instructions for how to install a warming drawer under a cooktop. For vertical dimension of cooktop, see Approximate Cooktop Dimensions section.

Installation Instructions

PREPARING THE OPENING

1 APPROXIMATE COOKTOP DIMENSIONS

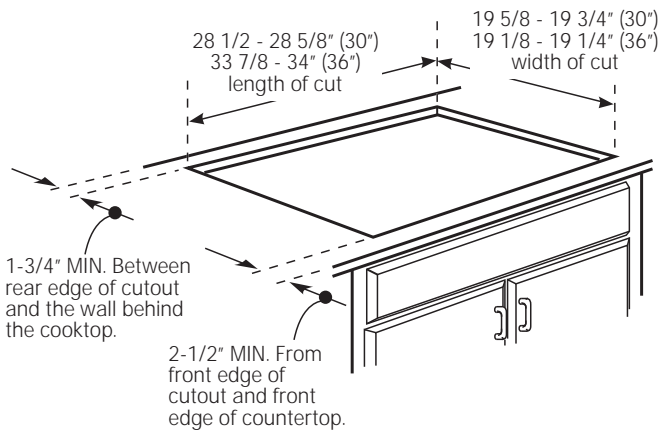


Size	Models	X	Y	Z Front	Z Rear*
30"	JP3030T, D, JP3530T, D	29 3/4"	20 7/8"	3 1/4"	4"
	JP3030SJSS, JP3530SJSS	29 7/8"	21"	3 1/4"	4"
	JP5030D, PP7030D, PP7030E, CP9530S	29 3/4"	20 7/8"	3 9/16"	5 9/16"
	JP5030S, PP7030S, PP9030S	29 7/8"	21"	3 9/16"	5 9/16"
	ZEU30RS	29 7/8"	21 7/16"	3 9/16"	5 9/16"
36"	PP9036S, D	36"	20 3/8"	3 9/16"	5 9/16"
	ZEU36RSJSS	36 1/8"	20 7/8"	3 9/16"	5 9/16"
	JP5036S, D	36 1/8"	20 7/16"	3 9/16"	5 9/16"
	JP3536S, T, D	36 1/8"	20 7/16"	3 9/16"	4 1/16"

* Depth at rear of cooktop at conduit location.

2 CUTOUT DIMENSIONS OF THE COUNTERTOP

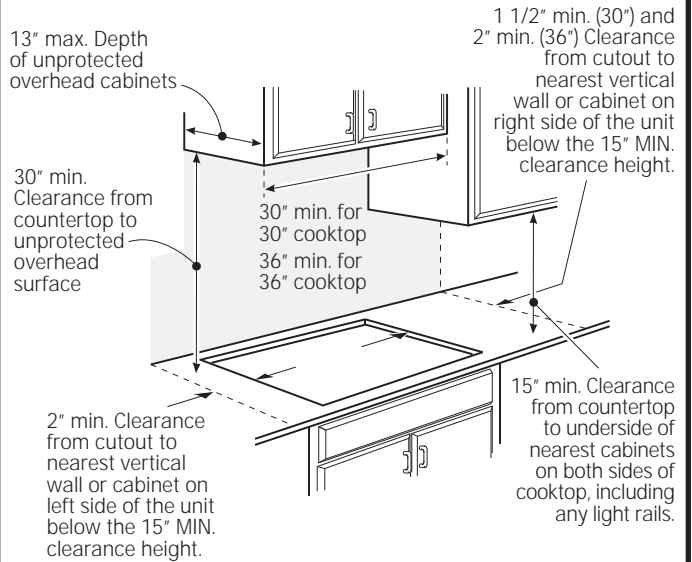
To ensure accuracy, it may be best to create a template when cutting the opening in the counter.



JXTR32 CUTOUT FILLER TRIM KIT (for use with 30" models):

A filler trim kit is available for use if your countertop cutout is larger than the dimensions shown, up to 29-13/16" x 20-7/16". Order JXTR32B (black) or JXTR32W (white) to reduce the cutout opening for installation of this cooktop. This kit may be ordered from your dealer or directly from GE Appliances at www.geappliances.com.

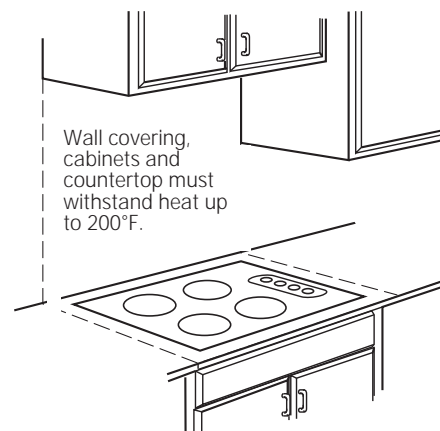
3 MINIMUM CLEARANCES TO ADJACENT WALLS & CABINETS



If a 30" clearance between the cooktop and overhead combustible materials or metal cabinet cannot be maintained, then a minimum clearance of 24" is required and the underside of the cabinets above the cooktop must be protected with not less than 1/4" insulating millboard covered with sheet metal not less than 30 gage (0.0125") thick.

A ventilation hood may be installed above the cooktop. See the ventilation hood installation instructions for the appropriate dimensions and clearances.

4 Make sure the wall coverings, countertop and cabinets around the cooktop can withstand heat (up to 200°F) generated by cooktop.

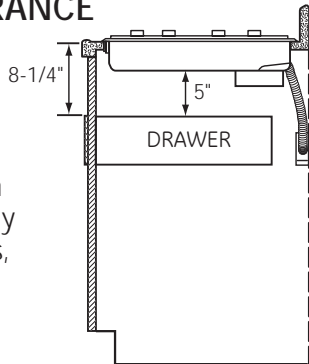


Installation Instructions

PREPARING THE OPENING (Cont)

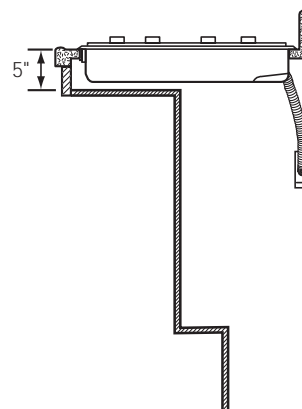
5 VERTICAL CLEARANCE

Allow 5" minimum vertical clearance from the cooktop bottom (or 8-1/4" minimum depth from the countertop) to any combustible surfaces, such as a cabinet drawer.

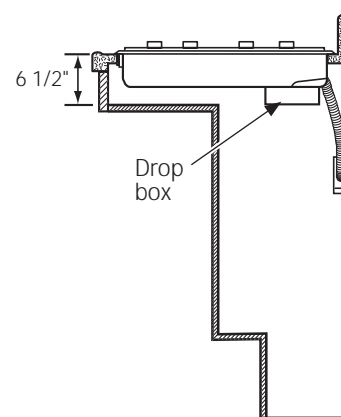


6 For Americans with Disabilities Act (ADA) Forward Approach Installation Only:

For models with no drop box, allow 5" minimum depth between the countertop and an enclosure. (JP3030, JP3530, and JP3536)



For electronic touch and backlit knob models, allow 6-1/2" minimum depth between the countertop and an enclosure. (All other models)



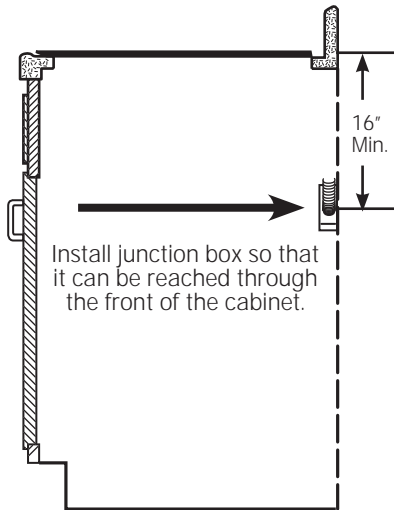
NOTE: The enclosure must be made of wood material. Also, an access panel is required for the junction box, hold-down brackets, and service.

Installation Instructions

INSTALLING THE COOKTOP

1 INSTALLING THE JUNCTION BOX

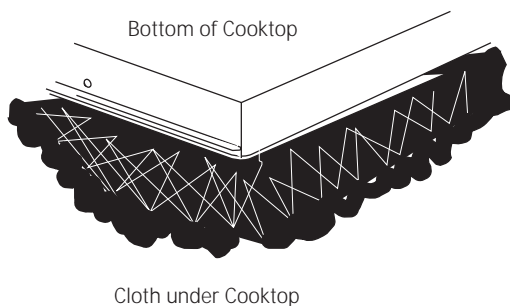
Install an approved junction box where it will be easily reached through the front of the cabinet where the cooktop will be located. The cooktop conduit is 4 feet long.



⚠ IMPORTANT: The junction box must be located where it will allow considerable slack in the conduit for serviceability.

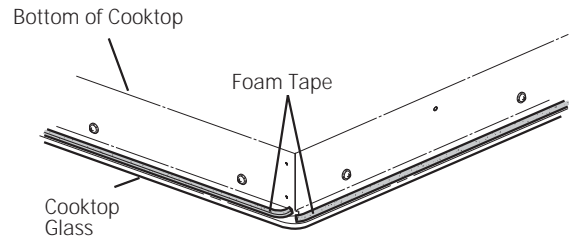
2 PROTECT SURFACE OF COOKTOP

Place a towel or tablecloth onto the countertop. Lay the cooktop upside down onto the protected surface.



3 ATTACH FOAM TAPE

Apply the foam tape around the outer edge of the glass. Do not overlap the foam tape.

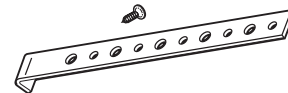


Note: On ZEU30 and ZEU36 models, apply the foam tape around the outer edge of the glass on the sides and rear of the unit only.

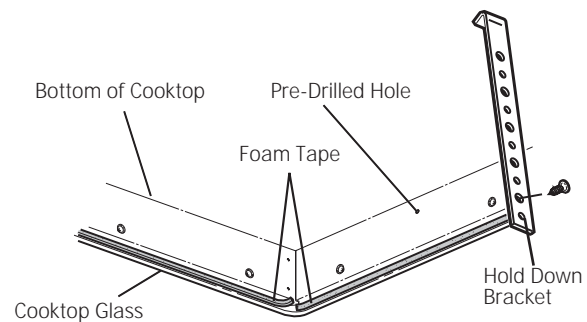
4 MOUNTING PARTS

Remove the hold down brackets and screws from the literature package.

Mounting Screw



Screw the hold down bracket to the side of the cooktop unit. Repeat for opposite side of cooktop.



Installation Instructions

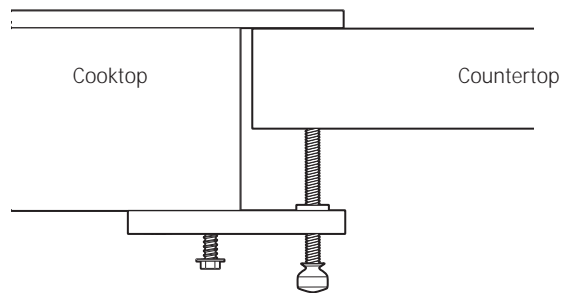
INSTALLING THE COOKTOP (CONT.)

4 MOUNTING PARTS (Cont.)

Alternate Installation:

You can order an alternate installation kit WB01X24570 with wing nuts and brackets by calling 800.GE.CARES. See diagram for instructions.

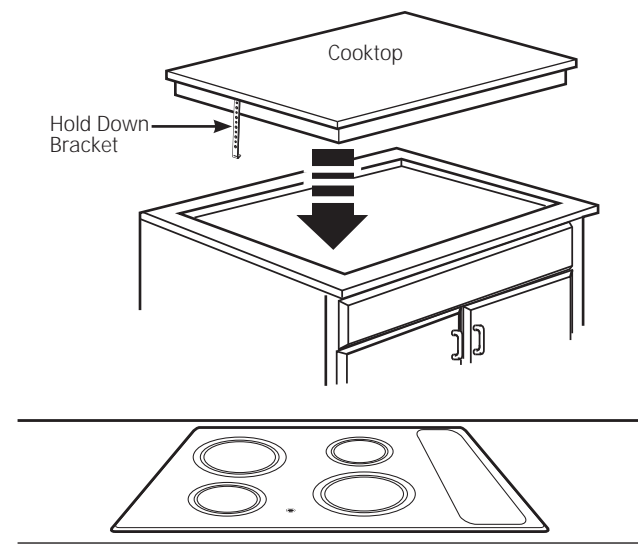
Open the cabinet door. Install the second screw through the bracket and tighten. Then tighten the first screw. Install thumbscrew until it touches the bottom of the countertop.



IMPORTANT: Turn the thumbscrew until it touches the bottom of the countertop. Do not overtighten.

5 INSERT COOKTOP INTO CUTOUT

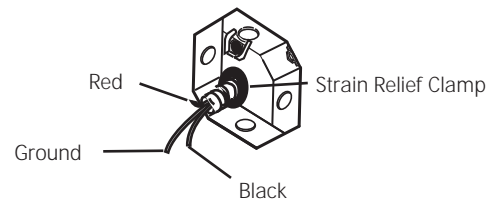
Insert the cooktop centered into the cutout opening. Make sure the front edge of the countertop is parallel to the cooktop. Make final check that all required clearances are met.



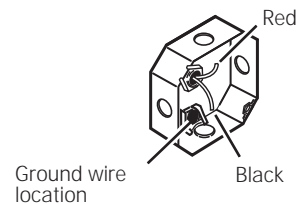
Attach Hold Down Brackets to cabinet.

6 ELECTRICAL CONNECTIONS

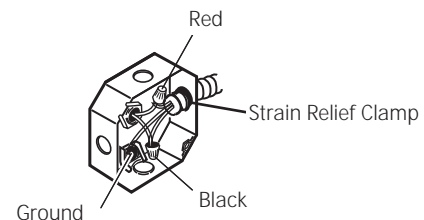
- A** When making the wire connections, use the entire length of conduit provided. **The conduit must not be shortened.**
- B** With the cooktop in place, open the front of the cabinet door.
- C** Insert the wires from the conduit through the opening of the junction box.



- D** Connect the red and black leads from the cooktop conduit to the corresponding leads in the junction box. Connect the ground wire.



- E** Once the connections are made, secure wires together using wire nuts.



Installation Instructions

INSTALLATION—ELECTRICAL CONNECTIONS

GROUNDING INSTRUCTIONS:

The ground wire in the conduit is connected to the cooktop frame. Effective January 1, 1996, the National Electrical Code will not permit grounding through neutral. If used in new construction after January 1, 1996 or in a mobile home, recreational vehicle or if local codes do not permit grounding through the neutral white lead, attach the appliance grounding lead (green or copper) to the residence grounding conductor (green or bare copper) in

accordance with local codes. When connecting to a 3 conductor branch circuit, if local codes permit, connect the ground connector lead of the cooktop to the branch circuit neutral (gray or white in color).

⚠ IMPORTANT: If the cooktop is being installed into a blind counter (one with no cabinet opening below), wire connections must be made before putting the cooktop into the cutout opening.

CHECKLISTS

1 PRE-TEST CHECKLIST

- A** Remove all protective film, if present, and any stickers.
- B** Check to be sure that all wiring is secure and not pinched or in contact with moving parts.
- C** Check level of appliance.
- D** Check that the cooktop is properly grounded.

2 OPERATION CHECKLIST

- A** Remove all items from the top of the cooktop surface.
- B** Turn on the power to the cooktop (refer to your Owner's Manual). Verify that all surface burners operate properly.
- C** Check that the circuit breaker is not tripped nor the house fuse blown.
- D** Check that conduit is securely connected to the junction box.

NOTE TO ELECTRICIAN:

The power leads supplied with this appliance are UL recognized for connections to larger gauge household wiring. The insulation of these leads is rated at temperatures much higher than the temperature rating of household wiring. The current carrying capacity of a conductor is governed by the wire gauge and also the temperature rating of the insulation around the wire.

NOTE: ALUMINUM WIRING

- **WARNING:**
IMPROPER CONNECTION OF ALUMINUM HOUSE WIRING TO THE COPPER LEADS CAN RESULT IN A SERIOUS PROBLEM.
- Splice copper wires to aluminum wiring using special connectors designed and UL approved for joining copper to aluminum and follow the manufacturer's recommended connector procedure closely.

NOTE: Wire used, location and enclosure of splices, etc., must conform to good wiring practice and local codes.

Instrucciones de instalación

Estufa eléctrica de 36" y 30" Radiante

Excluye los Modelos de Flujo Descendente

? "Si tiene alguna pregunta, llame al 800.GE.CARES o visite nuestro sitio Web en: GEAppliances.com"

ANTES DE COMENZAR

Lea estas instrucciones por completo y con cuidado.

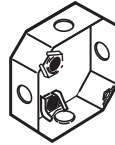
- **IMPORTANTE** – Conserve estas instrucciones para el uso del inspector local.
- **IMPORTANTE** – Cumpla con todos los códigos y reglas aplicables.
- Nota para el instalador – Asegúrese de dejar estas instrucciones en poder del consumidor.
- Nota para el consumidor – Conserve estas instrucciones para referencias futuras.
- El mal funcionamiento del producto debido a una instalación incorrecta no está cubierto por la Garantía.

⚠ ADVERTENCIA – Este aparato debe descargarse a tierra correctamente.

• **ATENCIÓN INSTALADOR** – **TODAS LAS ESTUFAS DEBEN CONTAR CON CABLEADO (CABLEADO DIRECTO) A UNA CAJA DE CONEXIONES APROBADA. ESTOS PRODUCTOS NO ACEPTAN ENCHUFES Y RECEPTÁCULOS.**

- La instalación correcta es responsabilidad del instalador, y el mal funcionamiento del producto debido a una instalación inadecuada NO está cubierto bajo la garantía.

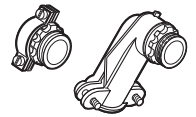
NECESITARÁ LOS SIGUIENTES MATERIALES



Caja de conexiones



Tuerca para cables

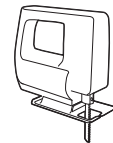


Conector de Presión a 90° o Recto para Conductos de 1"

HERRAMIENTAS QUE PUEDE NECESITAR



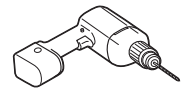
Lápiz



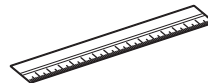
Sierra



Destornillador Phillips



Broca perforadora de 1/8" y taladro eléctrico o manual



Regla o regla para nivelar

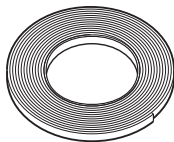


Gafas de seguridad

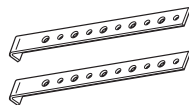
PARTES INCLUIDAS



4 Tornillos (WB01X1137)



Cinta de espuma WB06K5042



2 abrazaderas de montaje

ABERTURA DE LA MESADA

Si instalará la superficie de cocción en un material de superficie sólida tal como granito, cuarzo o cualquier otra superficie sólida natural o sintética, le recomendamos que la abertura sea realizada por un instalador profesional de gabinetes o mesadas.

Las aberturas de las superficies de cocción de mesadas de madera o laminados de madera podrán ser preparadas usando una sierra de vaivén y un taladro eléctrico.

Instrucciones de instalación

INSTRUCCIONES DE SEGURIDAD IMPORTANTES

PARA SU SEGURIDAD

- Para su seguridad personal, retire los fusibles de su hogar o bien desconecte el cortacircuitos antes de comenzar con la instalación. El no hacerlo puede resultar en lesiones serias o incluso la muerte.
- Asegúrese que su estufa sea instalada correctamente por un instalador o técnico de servicio calificado.
- Para eliminar el riesgo de quemaduras o incendio debido al contacto con los elementos de superficie calentados, debe evitarse el almacenaje en los gabinetes ubicados sobre los elementos de superficie. Si se cuenta con espacio en un gabinete, puede reducir el riesgo instalando una campana que se proyecte horizontalmente un mínimo de 5" más del fondo de los gabinetes. La instalación de gabinetes sobre la estufa no debe exceder 13" de profundidad.
- Asegúrese que los gabinetes y las cubiertas de las paredes alrededor de la estufa puedan soportar las temperaturas generadas por la estufa (hasta 200 °F).
- La estufa debe ser fácil de acceder y deberá contar con iluminación natural durante el día.
- Siempre desconecte el servicio eléctrico que va hacia la estufa antes de reparar o dar servicio a la estufa. Esto puede hacerse desconectando el fusible o cortacircuitos. No hacer esto puede resultar en un shock eléctrico peligroso o fatal. Sepa en dónde se localiza el interruptor principal de desconexión. Si no lo sabe, pídale a su electricista que le muestre la ubicación.

REQUISITOS ELÉCTRICOS

Este aparato debe contar con el voltaje y frecuencia adecuados, y deberá conectarse a un circuito derivado individual debidamente descargado a tierra, protegido por un cortacircuitos o un fusible temporizado como lo indica la placa.

Le recomendamos que un electricista calificado conecte el cableado eléctrico y conexión de su estufa. Después de la instalación, pídale al electricista que le muestre en dónde se localiza el interruptor principal de desconexión de su estufa.

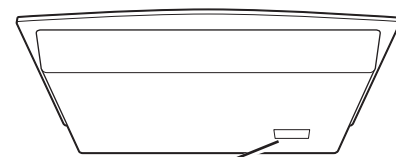
El cableado debe cumplir con el Código Eléctrico Nacional. Puede obtener una copia del Código Eléctrico Nacional, ANSI/NFPA No. 70-Última edición, escribiendo a:

Asociación Nacional
para la Prevención de Incendios
Batterymarch Park
Quincy, MA 02269

El cableado conductor de la estufa está aprobado para conexiones únicamente con cables de cobre, y si cuenta con cableado de aluminio, debe usar conectores especiales aprobados por UL para unir cobre con aluminio.

Debe usar un sistema eléctrico con conductor de dos cables y tres conductores 208/240 VCA, de 60 Hertz. No se requiere un cable blanco (neutral) para esta unidad. La estufa debe instalarse en un circuito que no exceda 125 VCA nominales de descarga a tierra.

Consulte el rótulo sobre su estufa para conocer la clasificación en kilovatios de su estufa.



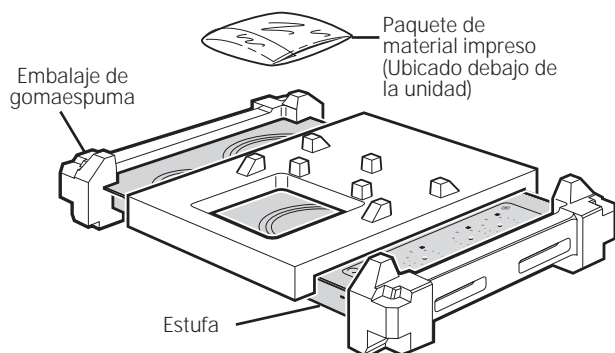
Ubicación del rótulo

Instrucciones de instalación

LISTA DE VERIFICACIÓN PREVIA A LA INSTALACIÓN

⚠ ADVERTENCIA – La corriente eléctrica a la línea de abastecimiento de la estufa debe cortarse durante la realización de conexiones. El no hacerlo puede resultar en una lesión seria o la muerte.

- A** Cuando se prepare para la abertura de la estufa, asegúrese que el interior del gabinete y la estufa no interfieran uno con el otro. (Consulte la sección de preparación de la abertura).
- B** Retire los materiales de empaque y el material impreso de la estufa antes de comenzar la instalación.



- C** Asegúrese de colocar todo el material impreso, Manual de propietario, Instalaciones, etc., en un lugar seguro para referencia futura.
- D** Asegúrese de contar con todas las herramientas y materiales que necesita antes de comenzar la instalación de la estufa.
- E** Su hogar debe contar con el servicio eléctrico adecuado para el uso seguro y correcto de su estufa. (Consulte la sección de requisitos eléctricos).
- F** Cuando instale la estufa en su hogar, asegúrese de cumplir todos los códigos y reglas locales tal y como se establecen.
- G** Asegúrese de que las cubiertas de las paredes, el mostrador y los gabinetes alrededor de la estufa puedan soportar las temperaturas generadas por la estufa (hasta 200 °F).

H Instalación de la superficie de cocción en combinación con otros productos.

Ambos productos deben ser instalados de acuerdo con sus instrucciones de instalación específicas del producto. Se deben tener en consideración los requisitos y ubicaciones eléctricas específicas:

Sobre uno o dos hornos de pared:

- Sólo ciertos modelos pueden ser instalados sobre los hornos de pared. El horno de pared y la superficie de cocción tendrán ambos una etiqueta que indique cuáles modelos están aprobados para uso combinado.

Sobre el Microondas:

- Para instalar un microondas debajo de una superficie de cocción, consulte las instrucciones de instalación del horno microondas. Para conocer la dimensión vertical de la superficie de cocción, consulte la sección de Dimensiones Aproximadas de la Superficie de Cocción.

En combinación con la ventilación telescópica descendente:

- Para instalar una ventilación detrás de la superficie de cocción, consulte las instrucciones de la ventilación telescópica descendente.
- La mesada debe contar con una superficie profunda y plana para ubicar la instalación combinada de la superficie de cocción y la ventilación.

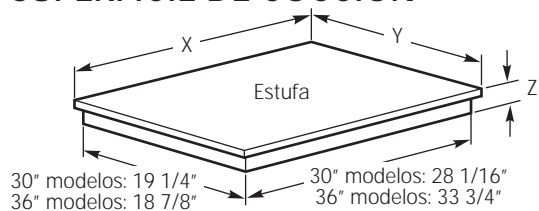
Sobre un cajón para calentar:

- Para instalar un cajón para calentar debajo de una superficie de cocción, consulte las instrucciones de instalación del cajón para calentar. Para conocer la dimensión vertical de la superficie de cocción, consulte la sección de Dimensiones Aproximadas de la Superficie de Cocción.

Instrucciones de instalación

PREPARACIÓN DE LA ABERTURA

1 DIMENSIONES GENERALES DE LA SUPERFICIE DE COCCIÓN

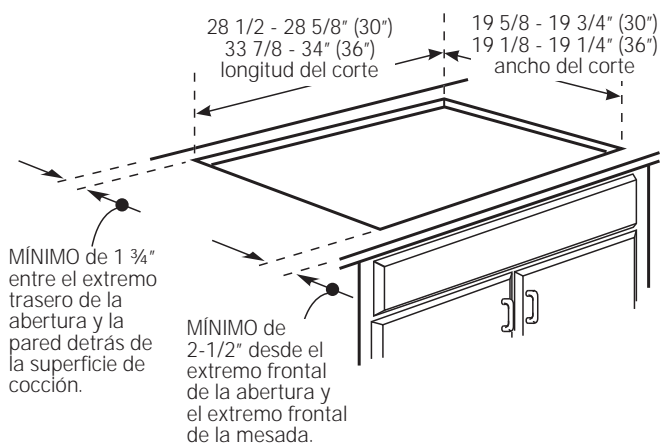


Tamaño	Modelos	X	Y	Z Frente	Z Parte Trasera*
30"	JP3030T, D, JP3530T, D	29 3/4"	20 7/8"	3 1/4"	4"
	JP3030SJSS, JP3530SJSS	29 7/8"	21"	3 1/4"	4"
	JP5030D, PP7030D, PP7030E, CP9530S	29 3/4"	20 7/8"	3 9/16"	5 9/16"
	JP5030S, PP7030S, PP9030S	29 7/8"	21"	3 9/16"	5 9/16"
	ZEU30RS	29 7/8"	21 7/16"	3 9/16"	5 9/16"
36"	PP9036S, D	36"	20 3/8"	3 9/16"	5 9/16"
	ZEU36RSJSS	36 1/8"	20 7/8"	3 9/16"	5 9/16"
	JP5036S, D	36 1/8"	20 7/16"	3 9/16"	5 9/16"
	JP3536S, T, D	36 1/8"	20 7/16"	3 9/16"	4 1/16"

*Profundidad en la parte trasera de la superficie de cocción en la ubicación del conducto.

4 DIMENSIONES DEL ÁREA CORTADA EN EL MOSTRADOR

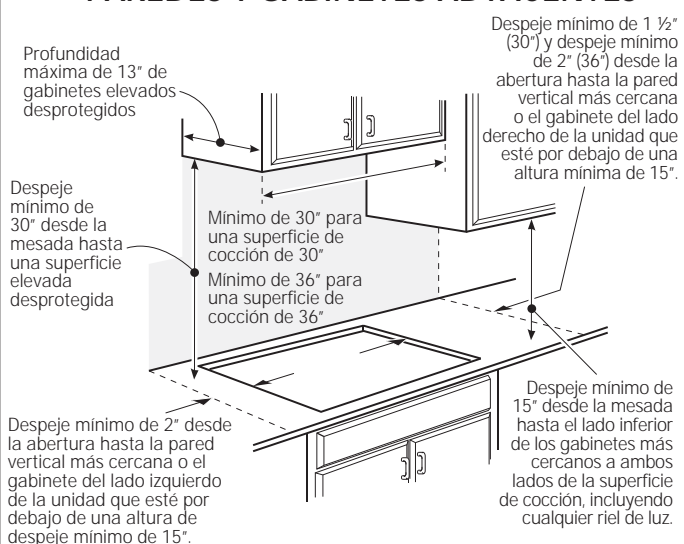
Para asegurar la precisión, es mejor realizar una plantilla al cortar la abertura de la mesada.



JUEGO DE ACABADOS DE RELLENO DE CORTE JXTR32 (para uso con modelos de 30"):

Existe un juego de acabados de relleno disponible para el uso si el área cortada del mostrador es mayor que las dimensiones mostradas, hasta 29-13/16" x 20-7/16". Ordene el JXTR32B (negro) o JXTR32W (blanco) para reducir el recorte de la abertura para la instalación de esta superficie de cocción. Este kit puede ser ordenado a su vendedor minorista o directamente a GE Appliances en www.geappliances.com.

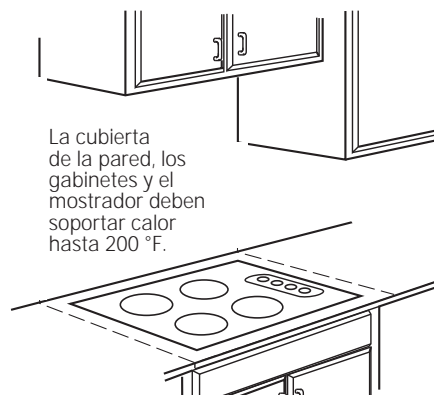
3 DESPEJES MÍNIMOS HASTA LAS PAREDES Y GABINETES ADYACENTES



Si no es posible mantener un despeje de 30" entre la superficie de cocción y los materiales combustibles o un gabinete metálico que se encuentren más elevados, entonces se requerirá un despeje mínimo de 24" y la parte inferior de los gabinetes que se encuentran por encima de la superficie de cocción deberán ser protegidos con no menos de 1/4" de cartulina aislante cubierta por una lámina metálica con un espesor no inferior a 30 (0.0125").

Podrá ser instalada una campana de ventilación encima de la superficie de cocción. Para conocer las dimensiones y despejes adecuados, consulte las instrucciones de instalación de la campana de ventilación.

4 Asegúrese que las cubiertas de las paredes, el mostrador y los gabinetes alrededor de la estufa puedan soportar las temperaturas generadas por la estufa (hasta 200 °F).

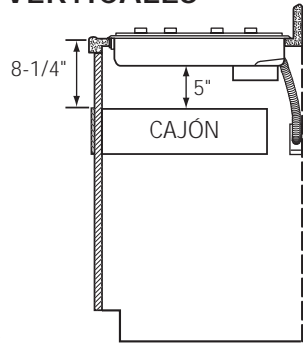


Instrucciones de instalación

PREPARACIÓN DE LA ABERTURA (Cont)

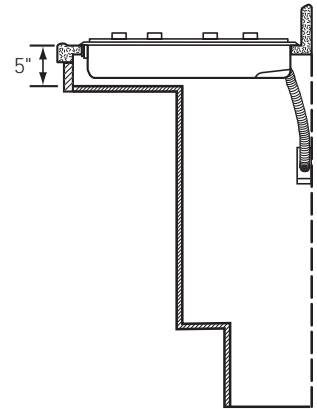
5 ESPACIOS LIBRES VERTICALES

Deje un espacio vertical de por lo menos 5" desde la parte inferior de la placa de cocción (o una profundidad mínima de 8-1/4" desde la mesada) hasta cualquier superficie combustible, tal como el cajón de un gabinete.

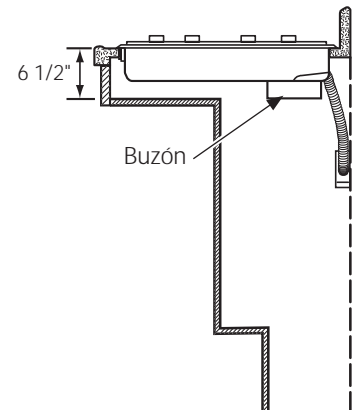


6 Instalación Por Delante Únicamente de Acuerdo con la Ley de Estadounidenses con Incapacidades (ADA)

Con los modelos sin buzón, deje un espacio vertical de por lo menos 5" entre la mesada y la cubierta. (JP3030, JP3530, y JP3536)



Si se trata de modelos con tecla electrónica táctil y perilla de luz trasera, deje una profundidad mínima de por lo menos 6 1/2" entre la mesada y la cubierta. (todos los demás modelos)

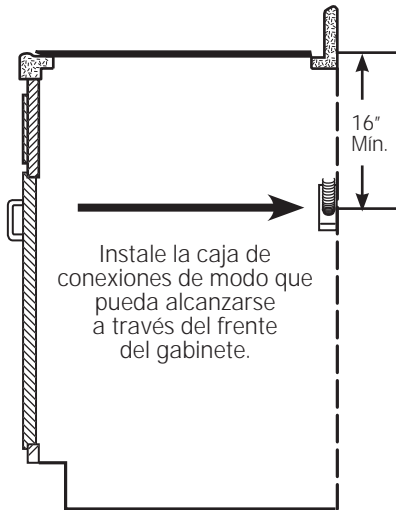


NOTA: la cubierta deberá estar hecha de material de madera. Además, se requiere un panel de acceso para la caja de conexiones, los soportes de los costados, y el servicio técnico.

INSTALACIÓN DE LA ESTUFA

1 INSTALACIÓN DE LA CAJA DE CONEXIONES DE CONEXIONES

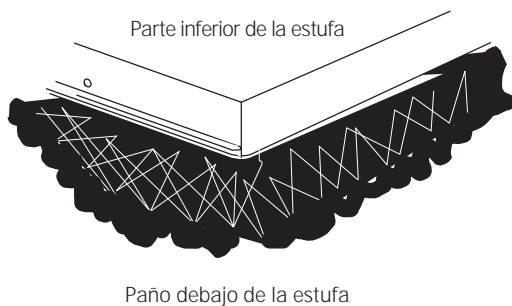
Instale una caja de conexiones aprobada en un lugar de fácil acceso a través del frente del gabinete en donde pueda colocarse la estufa. El conducto de la estufa tiene 4 pies de longitud.



⚠ IMPORTANTE: La caja de conexiones debe localizarse en donde el conducto esté lo suficientemente flojo para permitir que se le dé servicio.

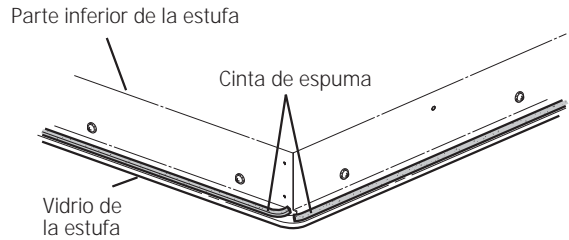
2 PROTECCIÓN DE LA SUPERFICIE DE LA ESTUFA

Coloque una toalla o mantel sobre el mostrador. Coloque la estufa al revés sobre el área protegida.



3 APLIQUE LA CINTA DE ESPUMA

Aplique la cinta de espuma alrededor del borde externo del vidrio. No superponga la cinta de espuma.



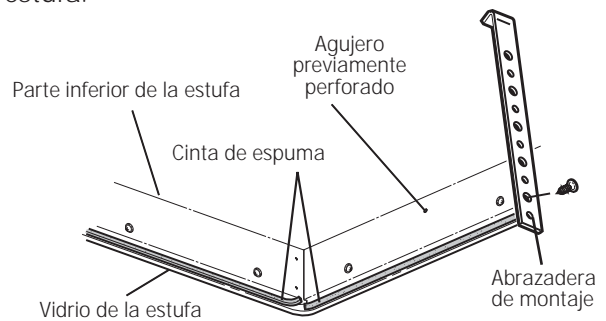
Nota: En los modelos ZEU30 y ZEU36,, únicamente aplique la cinta de espuma alrededor del borde externo del vidrio en los lados y borde posterior de la unidad.

4 LAS PARTES DE MONTAJE

Saque las abrazaderas de montaje y tornillos del empaque con material impreso.



Atornille la abrazadera de montaje a un lado de la unidad de la estufa. Repita en el lado opuesto de la estufa.



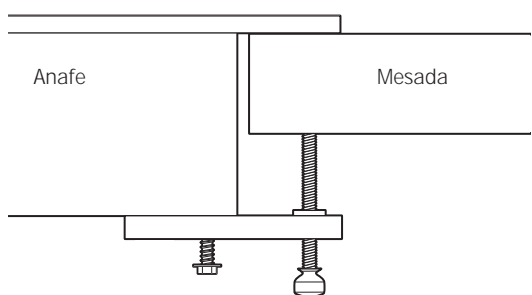
INSTALACIÓN DE LA ESTUFA (CONT.)

4 LAS PARTES DE MONTAJE (Cont.)

Instalación alternativa:

Usted puede ordenar un kit de instalación alternativa WB01X24570 con tuercas mariposa y soportes llamando al 800.GE.CARES. Para acceder a instrucciones, consulte el diagrama.

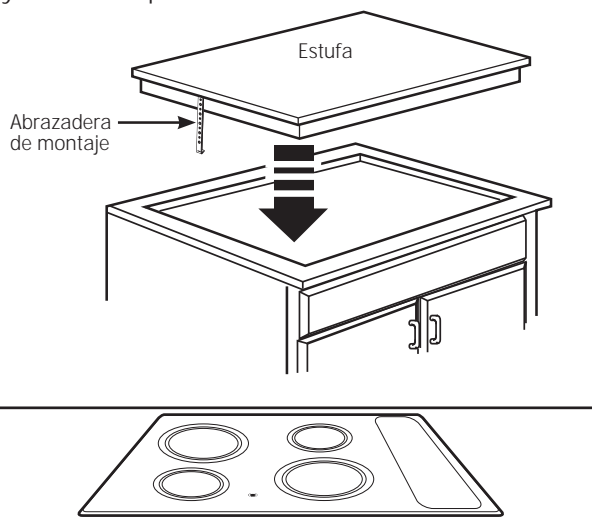
Abra la puerta del gabinete. Instale el segundo tornillo a través del soporte y ajuste. Luego ajuste el primer tornillo. Instale el tornillo de mariposa hasta que toque la parte inferior de la mesada.



IMPORTANTE: Gire el tornillo de mariposa hasta que toque la parte inferior de la mesada. No ajuste de más.

5 INSERTE LA ESTUFA EN EL ÁREA CORTADA

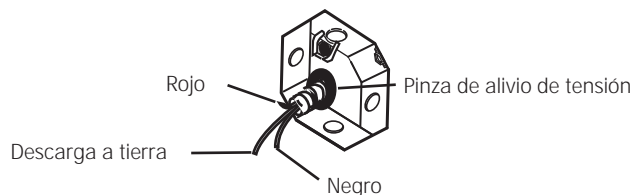
Inserte la estufa centrada en el área cortada. Asegúrese de que el borde frontal del mostrador esté paralelo con respecto a la estufa. Asegúrese de verificar al final que todos los espacios especificados hayan sido respetados.



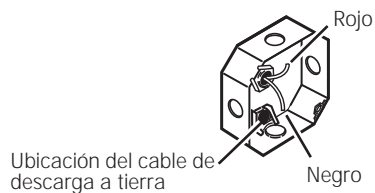
Adhiera los Soportes al gabinete.

4 CONEXIONES ELÉCTRICAS

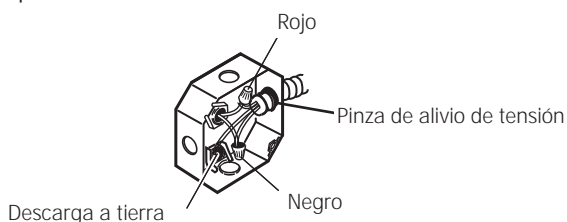
- A** Cuando realice las conexiones de cables, utilice toda la extensión del conducto incluido. **El conducto no debe reducirse.**
- B** Con la estufa colocada en su lugar, abra el frente de la puerta del gabinete.
- C** Inserte los cables del conducto a través de la abertura de la caja de conexiones.



- D** Conecte los cables rojo y negro del conductor de la estufa a los cables correspondientes en la caja de conexiones. Conecte el cable a tierra.



- E** Una vez que se hayan realizado las conexiones, fije los cables con las tuercas para cables.



Instrucciones de instalación

INSTALACIÓN—CONEXIONES ELÉCTRICAS

INSTRUCCIONES PARA DESCARGA A TIERRA:

El cable de descarga a tierra en el conducto se conecta al armazón de la estufa. A partir del 1 de enero de 1996, el Código Nacional sobre Electricidad no permitirá la descarga a tierra a través de cables neutrales. Si se usa en una construcción nueva después del 1 de enero de 1996 o bien en una casa rodante, vehículo recreativo, o bien si los códigos locales no permiten la descarga a tierra a través de cables blancos neutrales, sujete el cable de descarga a tierra del aparato (verde o cobre) al conductor de descarga a tierra de la residencia (verde o cobre) de

acuerdo con los códigos locales. Cuando conecte a un circuito derivado de 3 conductores, si lo permiten los códigos locales, conecte el cable del conector de descarga a tierra al circuito derivado neutral (de color gris o blanco).

⚠ IMPORTANTE: Si la estufa se va a instalar en un mostrador sin salida (uno sin abertura del gabinete inferior), las conexiones del cableado deberán realizarse antes de colocar la estufa en el área cortada.

LISTAS DE VERIFICACIÓN

1 LISTA DE VERIFICACIÓN PREVIA

- A** Retire toda la película protectora, si la hay, y las calcomanías.
- B** Verifique que todos los cables estén fijos y que no estén torcidos o en contacto con partes móviles.
- C** Verifique el nivel del aparato.
- D** Verifique que la estufa esté descargada a tierra correctamente.

2 LISTA DE VERIFICACIÓN DE OPERACIÓN

- A** Retire todos los objetos que se encuentren sobre la superficie de la estufa.
- B** Encienda la toma de corriente de la estufa (consulte su Manual del propietario). Verifique que todas las hornillas de la superficie funcionen correctamente.
- C** Verifique que el cortacircuitos no esté desactivado o que se haya fundido el fusible de su hogar.
- D** Verifique que el conducto esté conectado correctamente a la caja de conexiones.

NOTA PARA EL ELECTRICISTA:

Los cables de corriente incluidos con este aparato cuentan con la aprobación de UL para conexiones a cableado doméstico de mayor calibre. El aislante de estos cables se califica a temperaturas más elevadas que las del cableado doméstico. La capacidad de carga actual de un conductor depende del calibre del cable y también de la calificación de la temperatura del aislante alrededor del cable.

NOTA: CABLEADO DE ALUMINIO

- **ADVERTENCIA:**
LA CONEXIÓN INADECUADA DEL CABLEADO DOMÉSTICO DE ALUMINIO A LOS CABLES DE COBRE PUEDE RESULTAR EN UN PROBLEMA GRAVE.
- Una los cables de cobre a los de aluminio con conectores especiales diseñados y aprobados por UL para unir cables de cobre a cables de aluminio; asimismo, siga cuidadosamente las recomendaciones del fabricante al manipular el conector.

NOTA: El uso de los cables, la ubicación y alojamiento de empalmes, etc., deben realizarse correctamente y de acuerdo con los códigos locales.