



ASSEMBLY INSTRUCTIONS
COASTER FINE FURNITURE



Fine Furniture for every stage of life

905639
ACCENT CHAIR

ITEM : 905639



ASSEMBLY INSTRUCTIONS

ASSEMBLY TIPS:

- 1.Remove hardware from box and sort by size.
- 2.Please check to see that all hardware and parts are present prior to start of assembly.
- 3.Please follow attached instruction in the same sequence as numbered to assure fast & easy assembly.

WARNING!



- 1.Don't attempt to repair or modify parts that are broken or defective. Please contact the store immediately.
- 2.This product is for home use only and not intended for commercial establishment.



ASSEMBLY TIME PER UNIT:

15 MINUTES

PARTS IDENTIFICATION

A SEAT



1PC

C REAR LEG



2PCS

B FRONT LEG



2PCS

HARDWARE IDENTIFICATION

**1. INNER HEXAGON SCREW
SIZE: M8*30MM**



12PCS

**3. SPRING WASHER
SIZE: M8**



12PCS

**2. FLAT WASHER
SIZE: Ø 8*18*2MM**



12PCS

**4. ALLEN WRENCH
SIZE: M5**

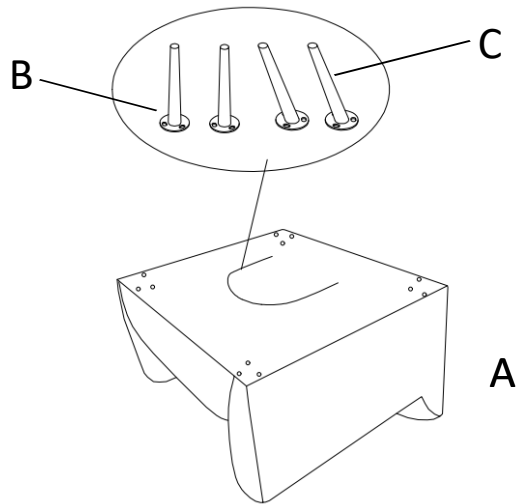


1PC

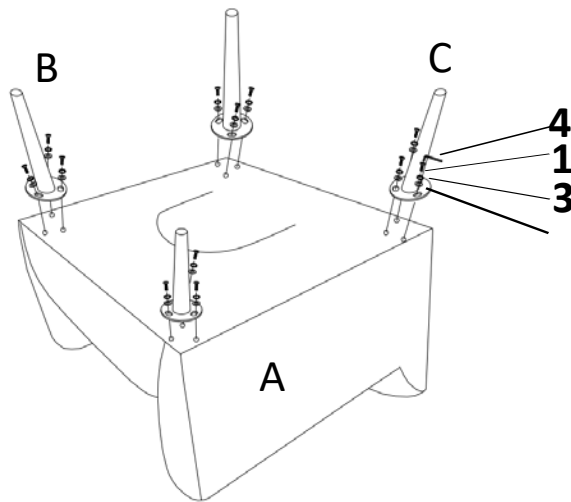
ITEM: **905639**

ASSEMBLY INSTRUCTIONS

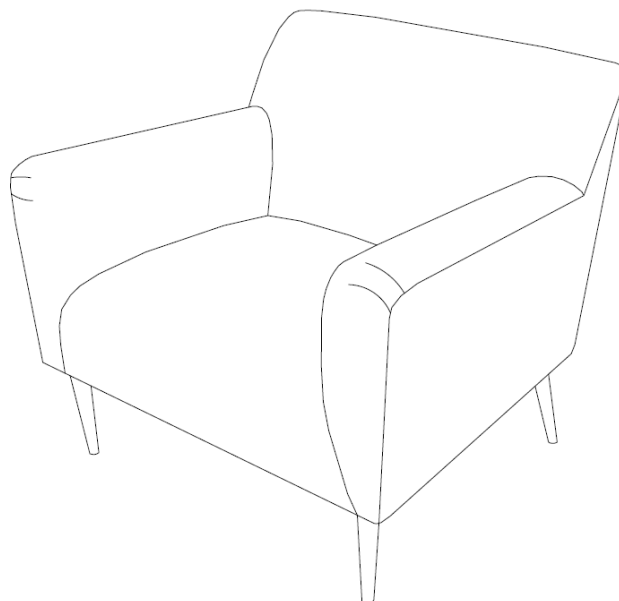
STEP 1



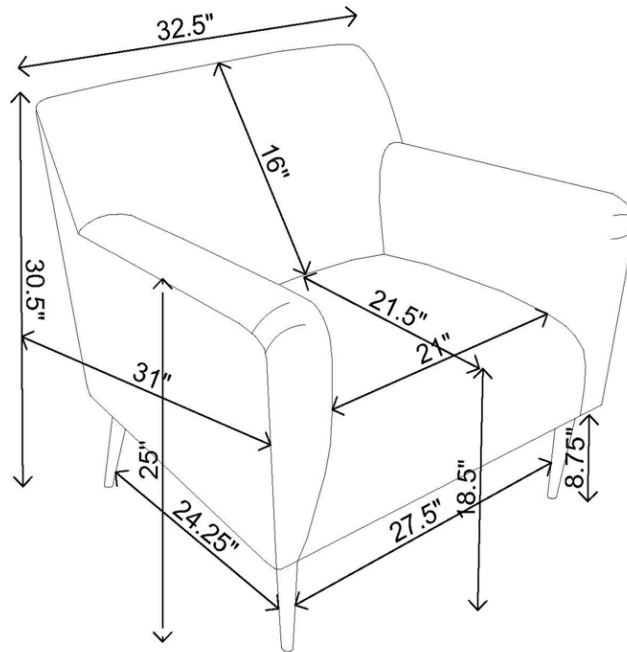
STEP 2



STEP 3



PRODUCT/PART DIMENSIONS



Note: Dimension tolerance $\pm 5\%$