

BI-30U/S



FEATURES

Dual refrigeration keeps food fresher

Air purification system fights spoilage, odors

Crispers and deli drawers in low-temp, high-humidity zones for optimum freshness

Microprocessor control assures peak performance

Freshness cards for maximum food preservation

Water-filtration system for ice reduces contaminants, chlorine taste and odor

Rigorously tested in our U.S. manufacturing facilities to ensure at least 20 years of heavy use

Exceptional 24/7 support from our Customer Care team based in Madison, Wisconsin and just footsteps from our factory

"Soft bright" interior lighting

Over-and-under refrigerator/freezer storage

Magnetic door seal system locks in cold air

Automatic ice maker with "max ice" feature

Adjustable shelves for maximum convenience

ACCESSORIES

Side panel in white or stainless steel

Stainless steel kickplate

Grilles for 83" or 88" finished height (84" is standard)

Side Panel Mounting Kit

Dual installation kit with or without dual wide grille—84" finished height

Dozen egg container

Replacement air purification cartridge and water filter

Accessories are available through an authorized Sub-Zero dealer. For local dealer information, visit subzero-wolf.com/locator.



HANDLE OPTIONS

PRO



TUBULAR



PRODUCT DETAILS

REFRIGERATOR

- 3 Adjustable glass shelves
- 1 Stationary glass shelf
- 1 High-humidity drawer with divider
- 1 Storage drawer with divider
- 2 Adjustable door shelves
- 1 Stationary door shelf
- Adjustable dairy compartment

FREEZER

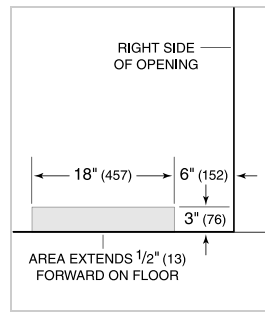
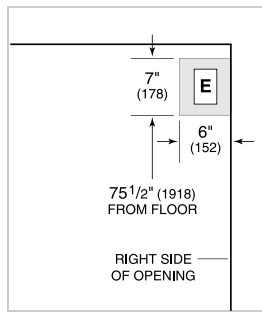
- Full-extension roll-out freezer drawer
- Two-tier wire storage baskets
- Automatic ice maker

PRODUCT SPECIFICATIONS

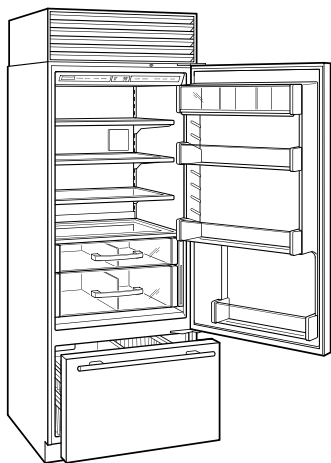
Model	BI-30U/S
Dimensions	30"W x 84"H x 24"D
Door Clearance	31 1/4"
Drawer Clearance	23 5/8"
Weight	462 lb
Refrigerator Capacity	13.2 cu ft
Freezer Capacity	4.2 cu ft
Electrical Supply	115 VAC, 60 Hz
Electrical Service	15 amp circuit
Plumbing Supply	1/4" OD copper, braided stainless steel or PEX tubing
Plumbing Pressure	35–120 psi

ELECTRICAL

PLUMBING

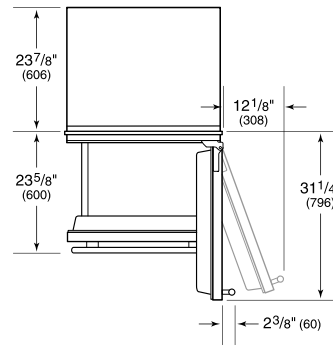
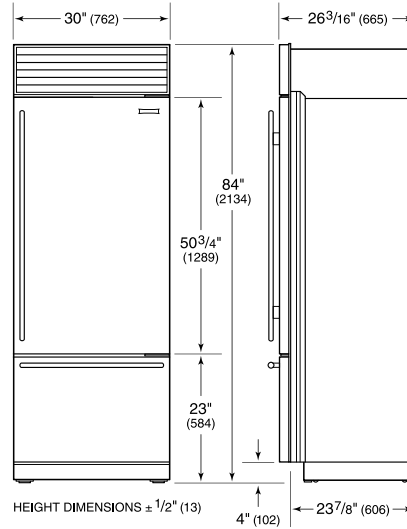


INTERIOR VIEW

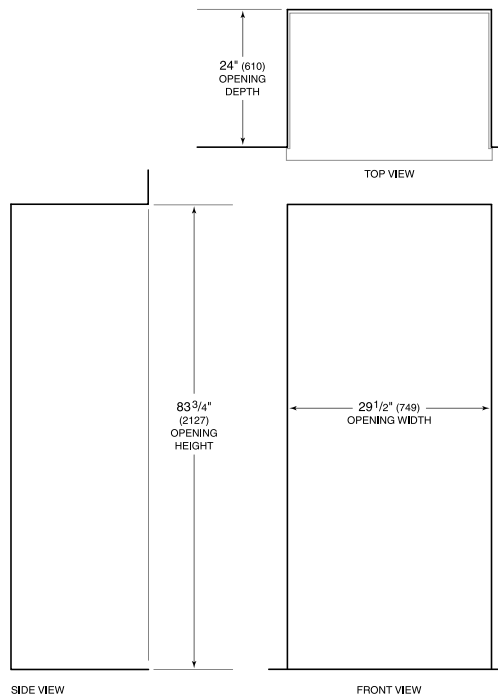


This illustration is intended for interior reference only and may not represent the exterior of the model being specified.

DIMENSIONS



STANDARD INSTALLATION



SIDE VIEW

FRONT VIEW

NOTE: Shaded line represents profile of unit.