

## LG REFRIGERATION

## LRONC0705V

6.9 cu. ft. Single Door Refrigerator

6.9 cu. ft. Capacity

Easy-Access Organization

Extra Large Moist Balance Produce Bin

Semi Auto Defrost

Curved Pocket Handle

ENERGY STAR® Qualified



CAPACITY	
Refrigerator (cu.ft.)	6.89
Freezer (cu.ft.)	0.92
Total Capacity (cu.ft.)	0.90
ENERGY	
ENERGY STAR® Qualified	ENERGY STAR®
Energy Consumption (kWh/Year)	220.00
WATER & ICE SYSTEM	
Ice System	Manual Ice Tray
COOLING	
Type	Direct Cooling
Inverter Compressor	Yes
Temperature Sensors	1 (thermostat)
CONVENIENCE	
Temperature Controls	Knob Dial
REFRIGERATOR	
No. of Shelves	3
Shelf Construction	Tempered Glass
Crisper Bins	1
Refrigerator Light	LED
REFRIGERATOR DOOR	
No. of Bins	1 Basket Egg, 2 Full
Door Bin Construction	Plastic
FREEZER	
Door Type	Swing Door
Ice Bin / In-Door Ice	Ice tray
Freezer Handle	Pocket Handle
MATERIALS AND FINISHES	
Contour Door	Yes
Hidden Hinges	Yes
Surface	Smooth
Handles	Pocket Handles (vertical)
All Available Colors	Platinum Silver

DIMENSIONS/CLEARANCES/WEIGHTS	
Depth with Handles	21 7/8"
Depth without Handles	21 7/8"
Depth without Door	18 5/8"
Depth (Total with Door Open)	39 5/8"
Height to Top of Case	50 7/8"
Height to Top of Door Hinge	51"
Width	20 5/8"
Installation Clearance	Sides 2", Top 2", Back 2"
Weight (Unit/Carton)	75.0 Lb / 81.6 Lb
Carton Dimensions (WxHxD)	22 1/2" x 52 1/2" x 23 1/4"
LIMITED WARRANTY	
Parts & Labor	1 Year
Sealed System (Parts & Labor)	5 Years
Compressor (Parts & Labor)	5 Years
Linear Compressor (Parts Only)	6 Years
UPC CODES	
LRONC0705V (Platinum Silver)	195174001851



## LG REFRIGERATION

# LRONC0705V

6.9 cu. ft Single Door Refrigerator

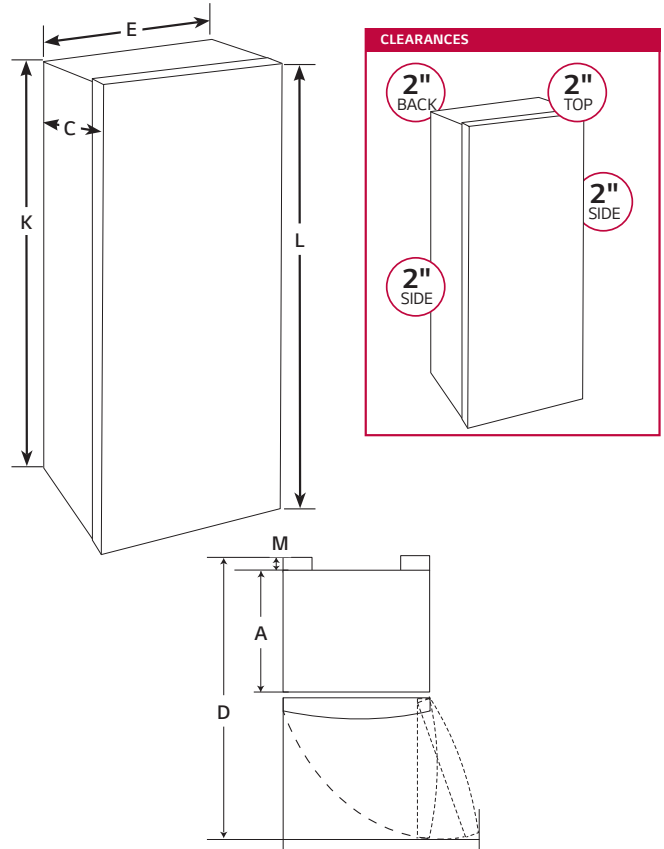
## QUICK INSTALL & CLEARANCES

For full installation directions/clearances please refer to the corresponding User Manual and Installation Guide.

### DIMENSIONS/CLEARANCES/WEIGHTS

A	Depth without Door	18 5/8"
B	Depth with Handles	21 7/8"
C	Depth without Handles	21 7/8"
D	Depth (Total with Door Open 90°)	39 5/8"
E	Width	20 5/8"
F	Width (Door Open 90° with Handle)	34 1/2"
G	Width (Door Open 90° without Handle)	34 1/2"
H	Width (Door Open Fully)	FPO
I	Door Edge Clearance with Handle (Not Shown)	2 5/8"
J	Door Edge with Clearance without Handle (Not Shown)	2 5/8"
K	Height to Top of Case	70"
L	Height to Top of Door Hinge	70 1/4"
M	Back Clearance	2"
Installation Clearances		Sides 2", Top 2", Back 2"
Carton Dimensions (WxHxD)		22 1/2" x 52 1/2" x 23 1/4"
<b>ENERGY</b>		
Energy Consumption (kWh/Year)		220.00
ENERGY STAR® Qualified		Yes

### PRODUCT DIMENSIONS



### CHOOSING THE PROPER LOCATION

#### WATER

Select a place where a water supply can be easily connected for the automatic

#### NOTE

- The water pressure must be 20 – 120 psi or 138 – 827 kPa or 1.4 – 8.4 kgf/cm<sup>2</sup>. If the refrigerator is installed in an area with low water pressure (below 20 psi), you can install a booster pump to compensate for the low pressure.

#### ELECTRICITY

The refrigerator should always be plugged into its own individual properly grounded electrical outlet rated for 115 Volts, 60 Hz, AC only, and fused at 15 or 20 amperes. This provides the best performance and also prevents overloading house wiring circuits which could cause a fire hazard from overheated wires. It is recommended that a separate circuit serving only this appliance be provided.

#### WARNING

- To reduce the risk of electric shock, do not install the refrigerator in a wet or damp area.

#### FLOORING

To avoid noise and vibration, the unit must be leveled and installed on a solidly constructed floor. If required, adjust the leveling legs to compensate for the unevenness of the floor. The front should be slightly higher than the rear to aid in door closing. Leveling legs can be turned easily by tipping the cabinet slightly. Turn the leveling legs to the left to raise the unit or to the right to lower it.

#### NOTE

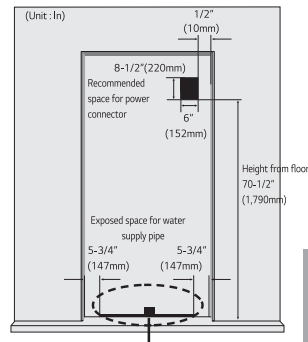
- Installing on carpeting, soft tile surfaces, a platform or weakly supported structure is not recommended.

#### AMBIENT TEMPERATURE

Install this appliance in an area where the temperature is between 55°F (13°C) and 110°F (43°C). If the temperature around the appliance is too low or high, cooling ability may be adversely affected.

### CONNECTING POWER AND SECURING SPACE FOR WATER SUPPLY PIPE

- Make sure the location of the water supply pipe is within the marked range.
- Before connecting the power, always make sure to ground the product. (If the product is not grounded, the user may be able to feel the electricity due to the minute leakage current when touching the refrigerator door handle or side corner even when there is no issue with the product.)
- Do not ground the product to gas pipe, plastic water pipe or telephone wire etc. It can cause electric shock and explosion.



#### Power connection

The location of the 115V 60Hz power connector must be located on the rear side of the product as shown in the picture.

When installing the product, make sure to check whether the cord is hung on the hook on the rear side so that it is not pressed on the refrigerator. Damaged power cord can cause a fire.

#### Installation space for water supply pipe

Place the water hose for ice maker and water dispenser as shown in the picture, and prepare hose to come up from the floor. (Copper pipe with diameter of 5/16" (8mm) is recommended for the water hose.) If the water pipe and water hose is located far from the product, bury the water hose on the floor and provide appropriate treatment.

