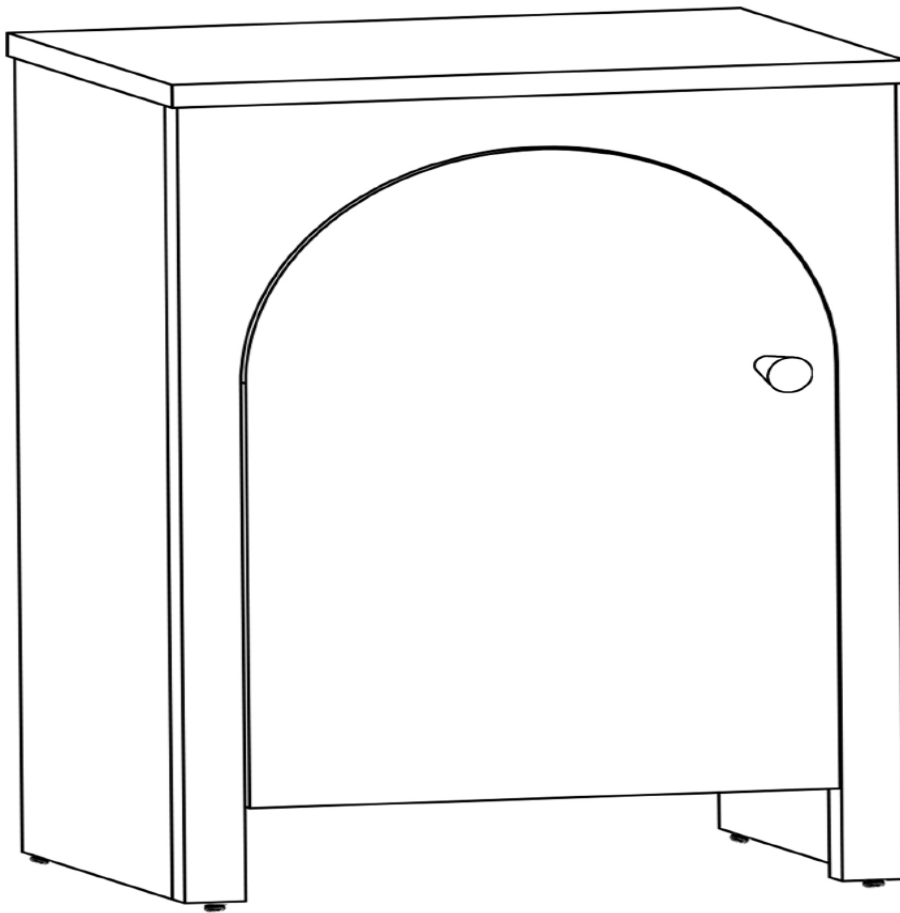


ASSEMBLY INSTRUCTIONS

MOD-7109

V1.14.09.24



Questions? Contact us!

609.256.9000 • cs@modway.com
www.modway.com

***modway**



Read through all of the instructions before starting



Approx. 20 minutes assembly time



2 people recommended for assembly



Care instructions are listed in the last step of this manual



Make sure you have all parts and components before discarding any packing materials

Only use hand tools to assemble this item. Do not use power tools. Do not tighten bolts or screw completely until all hardware is lined up and inserted into the holes.

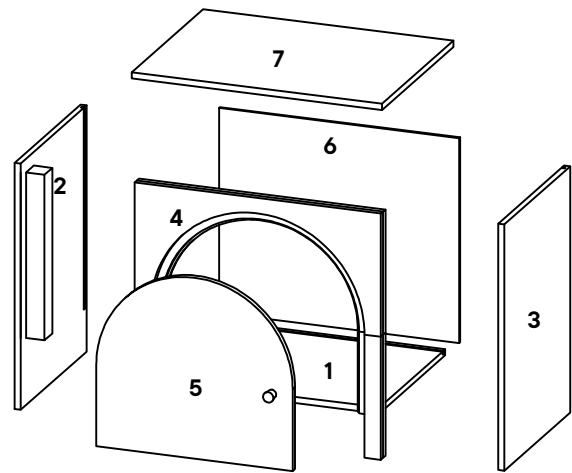
Do not over-tighten screw and bolts to avoid stripping the hardware or cracking the item

Assemble your item on a flat carpeted area, with plenty of space to work. This will prevent damage and scratches to your floors or the item while you're assembling the product.

Keep all components and packaging out of reach of children or animals to avoid risk of choking or suffocation.

Furniture component :

1 Bottom Panel	x1
2 Side Panel Left	x1
3 Side Panel Right	x1
4 Front Panel	x1
5 Door Panel	x1
6 Back Ply	x1
7 Top Panel	x1



Provided hardware:

A		Wooden Dowel 8 x 40 mm	x13
B		Cam Bolt 6 x 40 mm	x20
C		Cam Lock 15 mm	x20
D		Screw 6 x 16 mm	x4
E		Hinge	x2
F		Knob	x1
G		Screw 6 x 25 mm	x1
H		Adjustable Leveler	x4

What You Need:

Phillips Head Screwdriver
Phillips

You may also need:

- + Power Drill
- + Level
- + Silicone Adhesive or caulk
- + Drywall Anchors and Screws
- + Other Wall-Mounting Hardware

Wait!

Missing parts or hardware? Need assistance?
Contact us before returning your items. We're here to help!
609.256.9000 . cs@modway.com

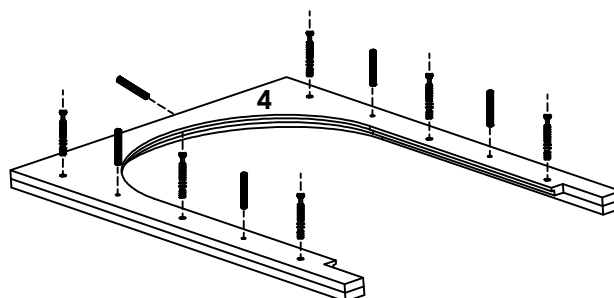
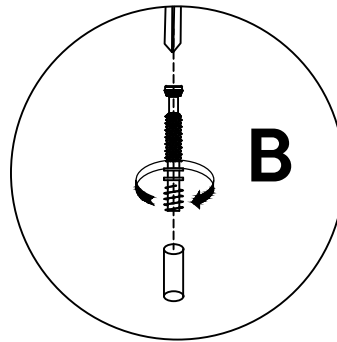
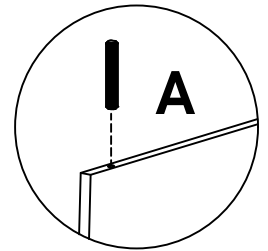
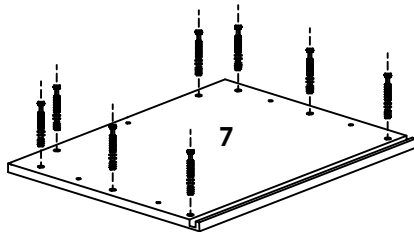
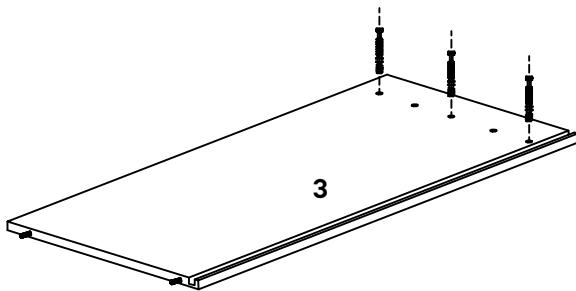
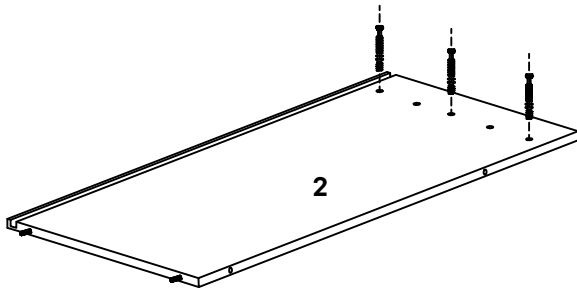
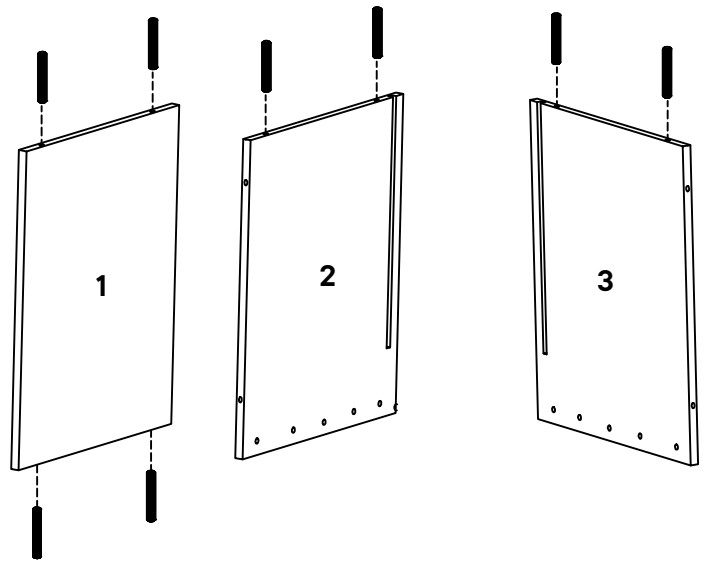
Step 1

HARDWARE

- A** Wood Dowel 8 x 40 mm x13
- B** Cam Bolt 6 x 40 mm x20

COMPONENTS

- 1** Bottom Panel x1
- 2** Side Panel Left x1
- 3** Side Panel Right x1
- 4** Front Panel x1
- 7** Top Panel x1



Step 2

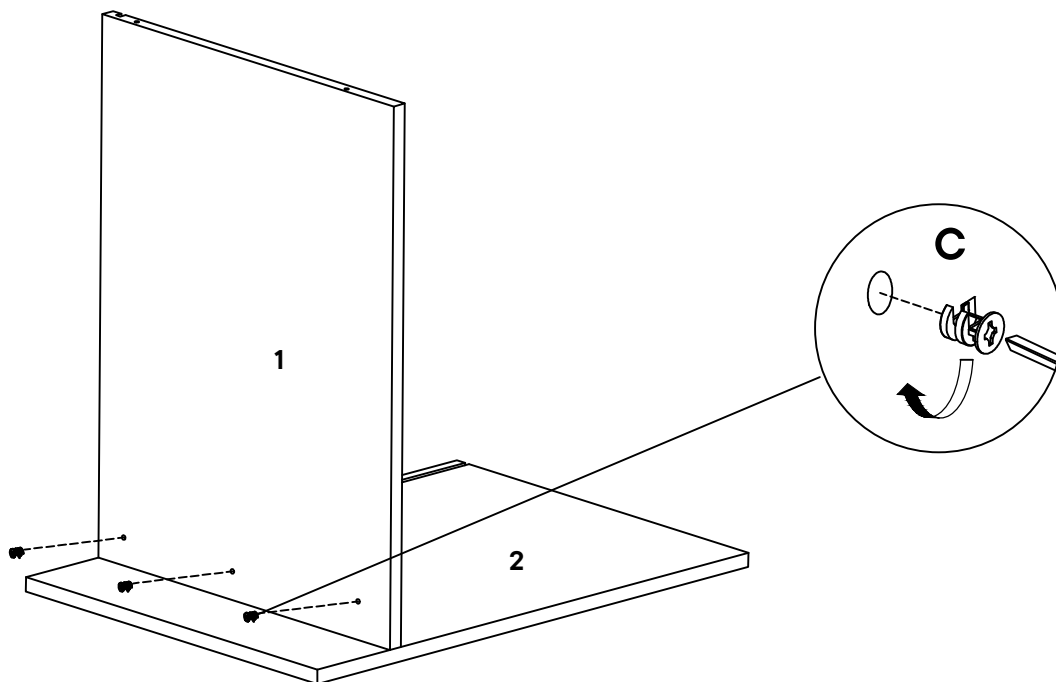
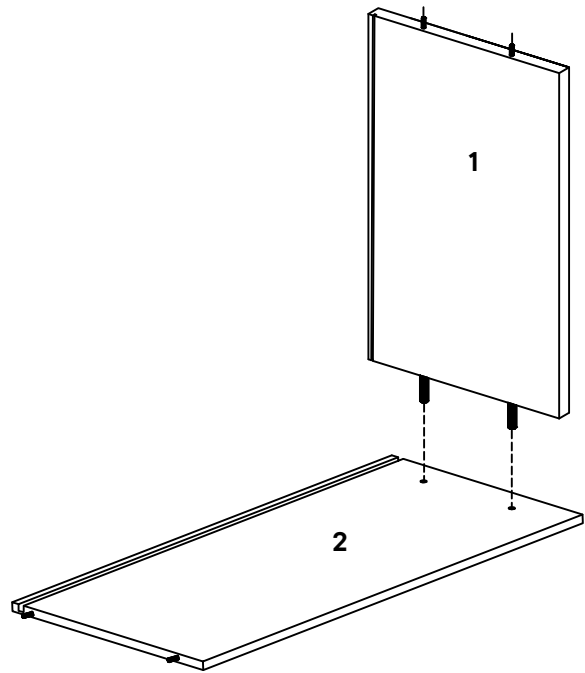
HARDWARE

C Cam Lock 15 mm x3

COMPONENTS

1 Bottom Panel x1

2 Side Panel Left x1



Step 3

HARDWARE

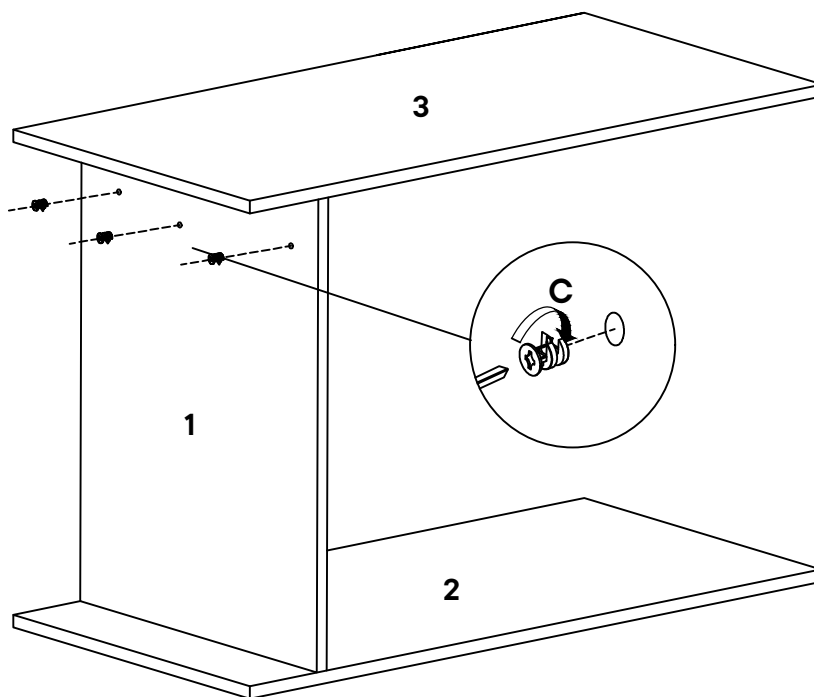
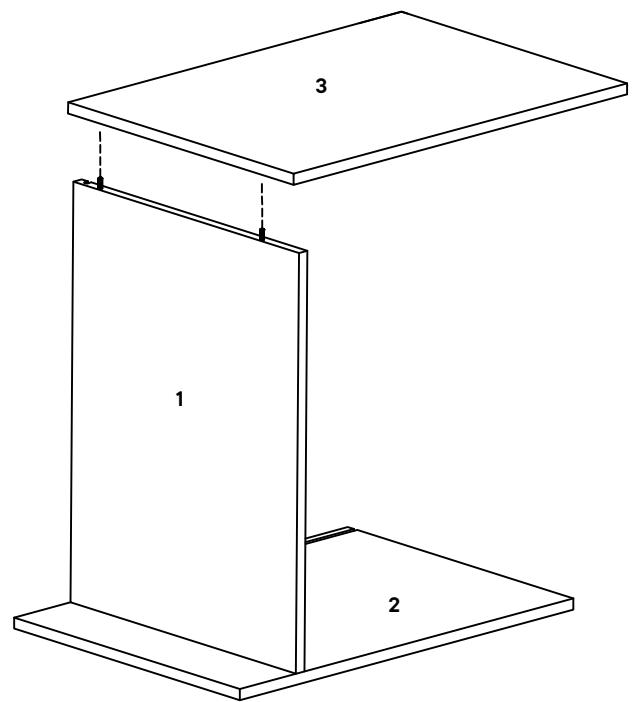
C Cam Lock 15 mm x3

COMPONENTS

1 Bottom Panel x1

2 Side Panel Left x1

3 Side Panel Right x1



Step 4

HARDWARE

C Cam Lock 15 mm x6

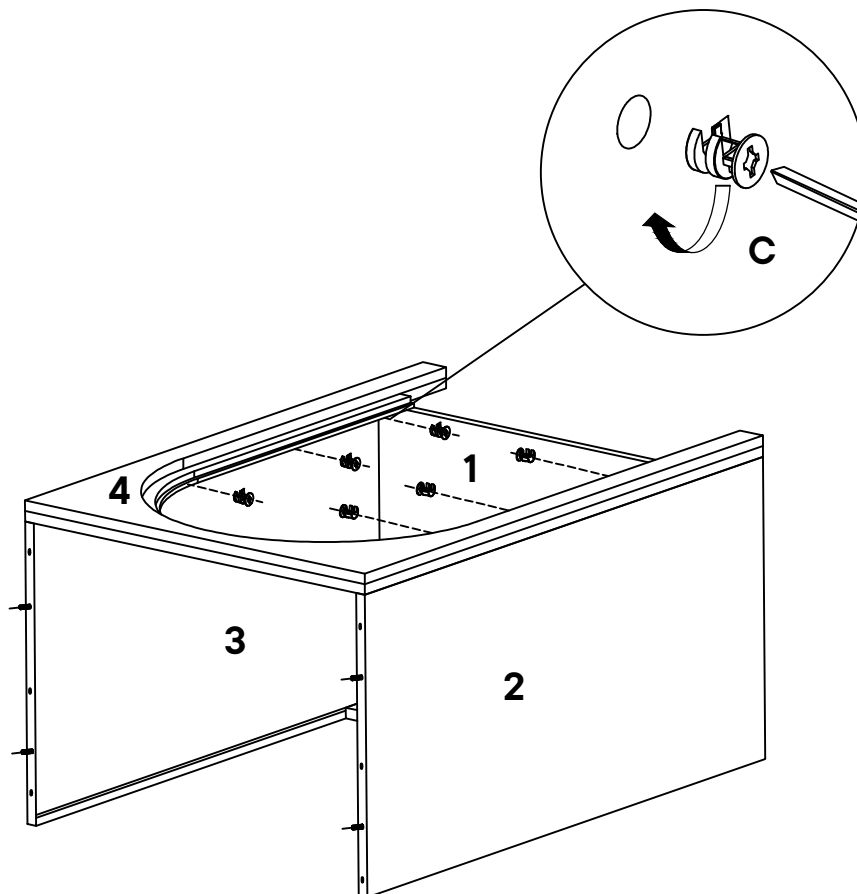
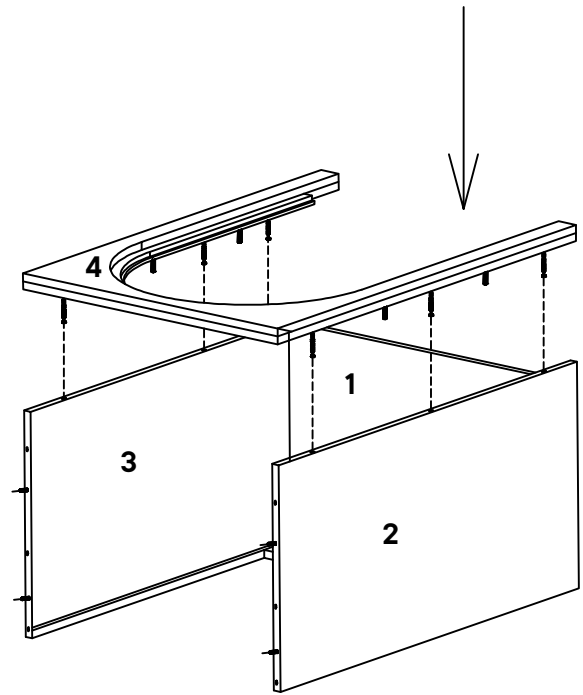
COMPONENTS

1 Bottom Panel x1

2 Side Panel Left x1

3 Side Panel Right x1

4 Front Panel x1



Note :- Full Tighten All Cam Lock here.

Step 5

HARDWARE

C Cam Lock 15 mm x8

COMPONENTS

1 Bottom Panel x1

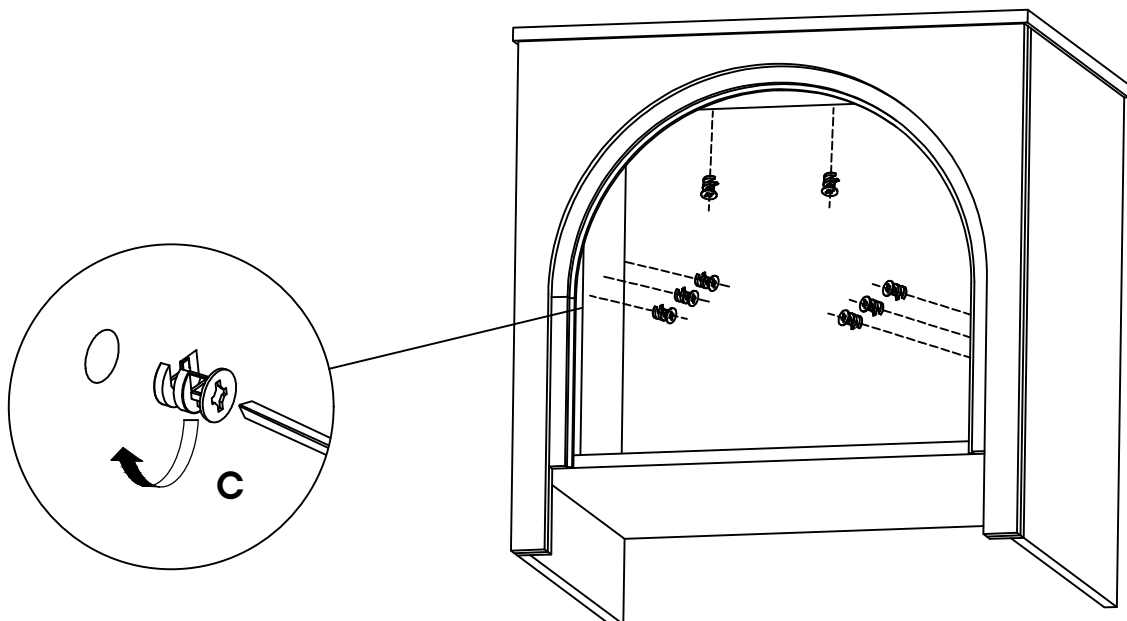
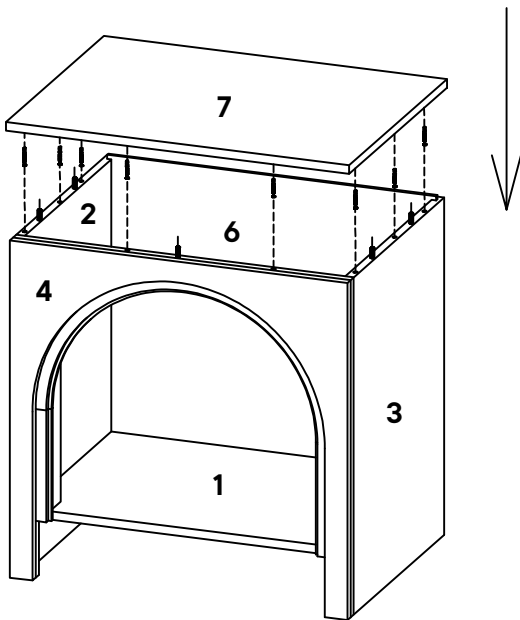
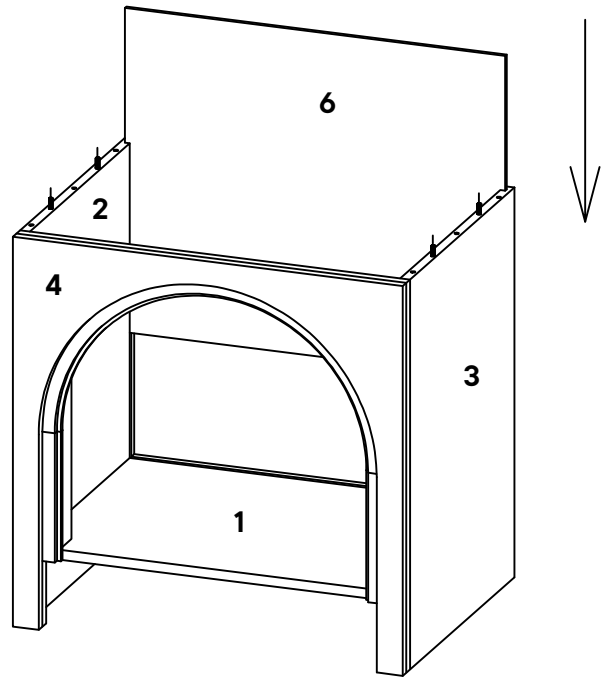
2 Side Panel Left x1

3 Side Panel Right x1

4 Front Panel x1

6 Back Ply x1

7 Top x1



Note :- Full Tighten All Cam Lock here.

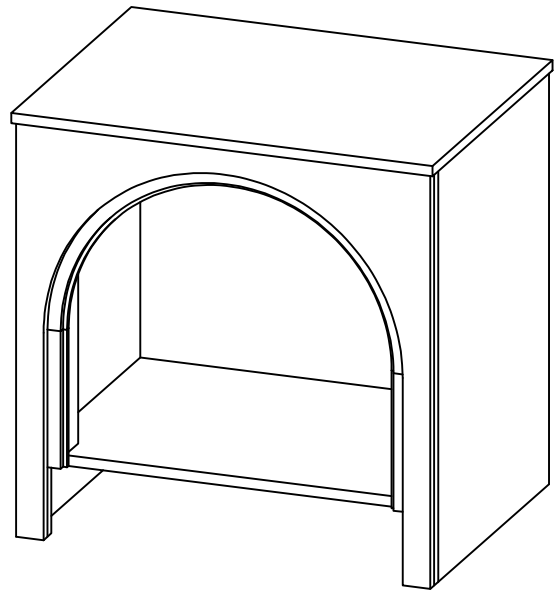
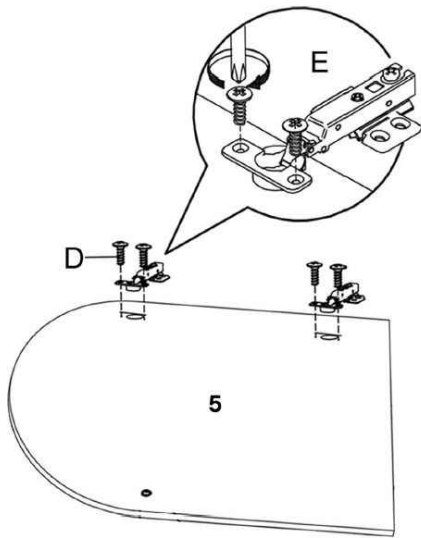
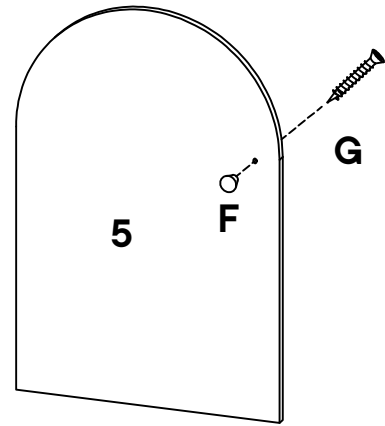
Step 6

HARDWARE

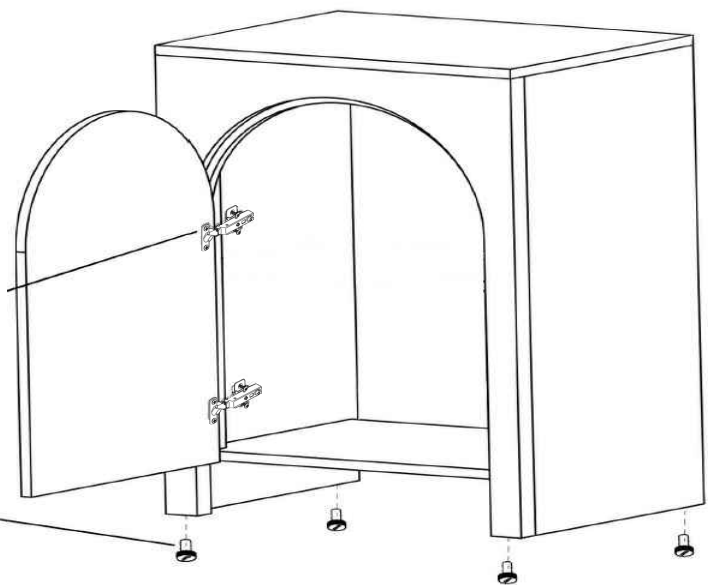
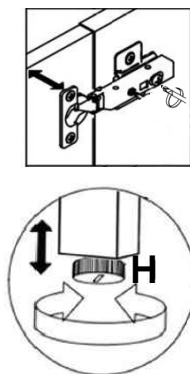
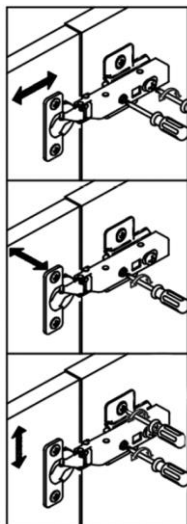
- D** Screw 6 x 16 mm x4
- E** Hinges x2
- F** Knob x1
- G** Screw 6 x 25 mm x1

COMPONENTS

- 5** Door Panel x1



Step 7



Great job!

Nightstand assembly is complete.

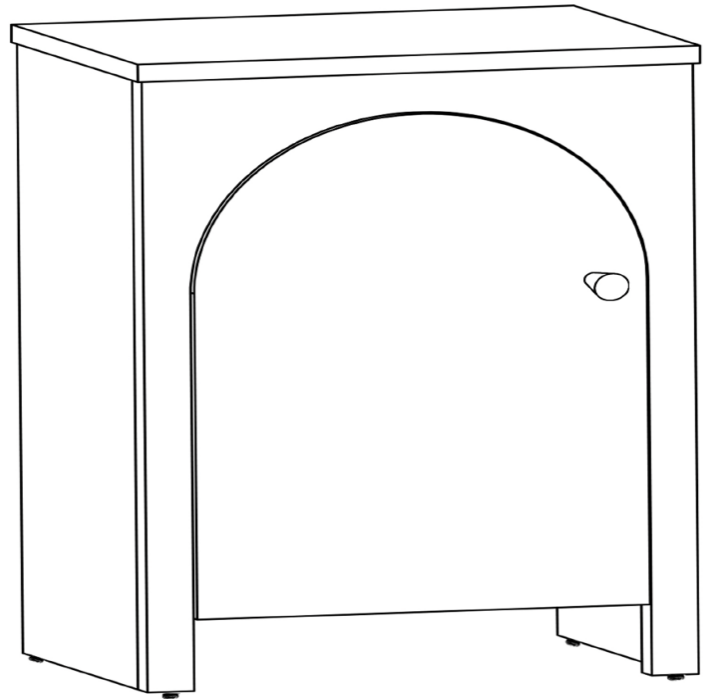
♥ CARING FOR YOUR ITEM

Indoor use only.

Not contract grade.

Clean using a non-abrasive cloth and a mild cleaner.

Never use harsh chemicals, as they could damage the finish or integrity of the item.



CONNECT WITH US!



Tag us [@modway_furniture](#) and [#modway](#) for a chance to be featured.