

FFEH3054U S/W/B

FREESTANDING RANGE

30" ELECTRIC



AVAILABLE COLORS



PRODUCT DIMENSIONS

| | |
|----------------------|----------|
| Height (Max.) | 36-5/8" |
| Width | 29-7/8" |
| Depth (Incl. Handle) | 29-3/16" |

MORE EASY-TO-USE FEATURES

Keep Warm Zone

Keep food warm until everything — and everyone — is ready.

Hidden Bake

Keeping the bottom of your oven clean is easy with a hidden heating element.

One-Touch Self Clean

Your oven cleans itself — so you don't have to. Self-clean options available in 2- and 3-hour cycles.

Store-More™ Storage Drawer

With the Store-More™ Storage Drawer, you will have extra space to store your cookware.

CERTIFICATIONS

A.D.A.- Compliant

When properly installed, this model is A.D.A.-qualified based on the United States Access Board's A.D.A./A.B.A. Accessibility Guidelines and the Department of Justice's 2010 A.D.A. Standards for Accessible Design.



SIGNATURE FEATURES

Upgrade Your Kitchen with a Built-In Look

Upgrade your kitchen and get the look of a built-in range, with the fit of a traditional freestanding range. The Frigidaire® front control freestanding range easily fits into a 30" cutout.

Flexible Five Element Cooktop

Experience ultimate cooking flexibility with a powerful radiant cooktop that has five elements designed to handle all of your cooking needs.

Quick Boil

Get meals on the table faster with our expandable 3,000W element — water boils faster than the traditional setting.

Extra-Large Element

With our extra-large 12" element, you have more flexibility to fit larger pots and pans.

| ELEMENTS | SIZE | WATTS |
|-------------|------------------|-------------|
| Right Front | 12" | 2,700 |
| Right Rear | 6" | 1,200 |
| Left Front | 6"/9" Expandable | 1,400/3,000 |
| Left Rear | 6" | 1,200 |
| Center | Keep Warm Zone | 100 |

FFEH3054US FREESTANDING RANGE

30" ELECTRIC

FRIGIDAIRE

FEATURES

| | |
|-------------------------------|------------------------|
| Oven Control/Timing System | Ready-Select® Controls |
| Surface Type | Black Ceramic Glass |
| Window | Extra-Large |
| Exterior Door Finish | Stainless |
| Handle Design | Stainless |
| Exterior Finish (Side Panels) | Black |
| Oven Cleaning System | Self Clean |
| Drawer Functionality | Storage |

OVEN CONTROLS

| | |
|--------------------|-----------|
| Bake | Yes |
| Broil | Yes |
| Delay Bake | Yes |
| Delay Start | Yes |
| Self-Clean | 2, 3 Hour |
| Delay Clean | Yes |
| Kitchen Timer | Yes |
| Timed Cook Option | Yes |
| Auto Oven Shut-Off | 12 Hours |
| Oven Lock-Out | Yes |

COOKTOP FEATURES

| | |
|------------------------------|--|
| Right Front Element (Watts) | 12" - 2700 |
| Right Rear Element (Watts) | 6" - 1200 |
| Left Front Element (Watts) | SpaceWise® Expandable 6"/9" - 1400/3000 |
| Left Rear Element (Watts) | 6" - 1200 |
| Center Element (Watts) | Keep Warm Zone - 100 |
| Hot Surface Indicator Light | Yes |
| Element "On" Indicator Light | Yes |

OVEN FEATURES

| | |
|------------------------------------|------------------------|
| Capacity (Cu.Ft.) | 5.0 |
| Oven Light | 1 Incandescent 40W |
| Rack Configuration | 2 Standard |
| Baking System | Even Baking Technology |
| Broiling System | Vari-Broil™ (Hi/Lo) |
| Bake Element/Broil Element (Watts) | 3,500/3,900 |
| Hidden Bake | Yes |

OPTIONAL ACCESSORIES

| | |
|--------------------------|----------|
| Rear Filler Trim - Black | Included |
|--------------------------|----------|

CERTIFICATIONS

| | |
|-------------------------------|-----|
| A.D.A. Compliant ¹ | Yes |
| Prop-65 | Yes |

SPECIFICATIONS

| | |
|---|-----------------------------|
| Oven Interior (H x W x D) | 18-5/8" x 24-3/8" x 19-1/8" |
| Power Supply Connection Location | Middle Bottom Rear |
| Voltage Rating | 240V/208V/60Hz |
| Connected Load (kW Rating) @ 240/208 Volts | 12.5/9.5 |
| Minimum Circuit Required (Amps) | 40 |
| Shipping Weight (Approx.) | 170 Lbs. |

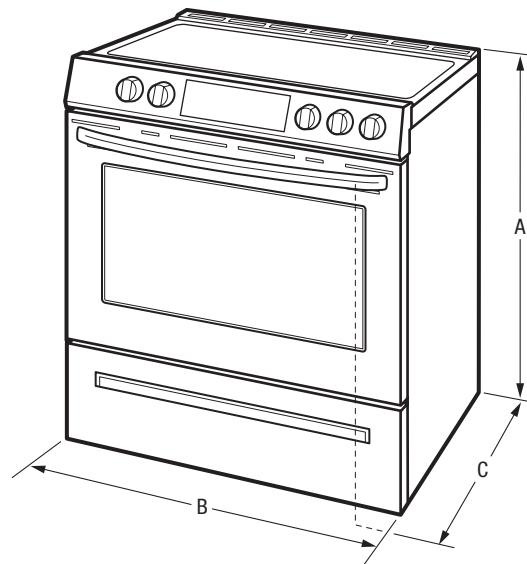
¹When properly installed, this model is A.D.A.-qualified based on the United States Access Board's A.D.A./A.B.A. Accessibility Guidelines and the Department of Justice's 2010 A.D.A. Standards for Accessible Design.

PRODUCT DIMENSIONS

| | |
|--------------------------|----------|
| A - Height (Max.) | 36-5/8" |
| B - Width | 29-7/8" |
| C - Depth (Incl. Handle) | 29-3/16" |
| Depth with Door Open 90° | 47" |

CABINET CUTOUT DIMENSIONS

| | |
|--------------|-----|
| Width (Min.) | 30" |
| Depth (Min.) | 24" |



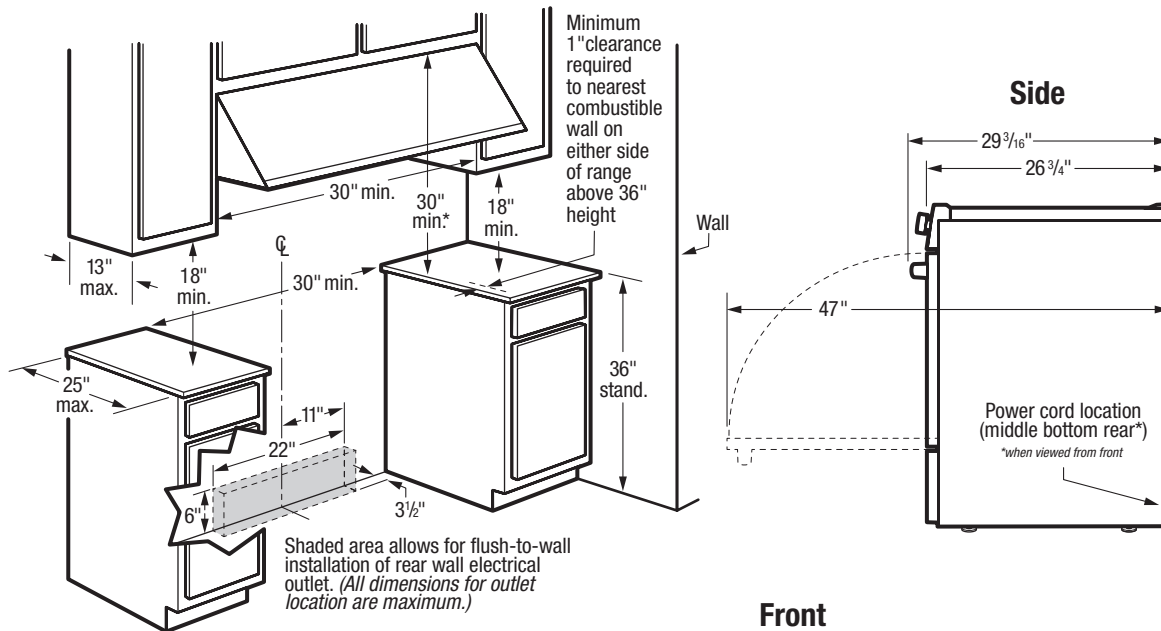
Note: For planning purposes only. Always consult local and national electric, gas and plumbing codes. Refer to Product Installation Guide for detailed installation instructions on the web at frigidaire.com.

Specifications subject to change. Accessories information available on the web at frigidaire.com

FRIGIDAIRE

USA • 10200 David Taylor Drive • Charlotte, NC 28262 • 1-800-FRIGIDAIRE • frigidaire.com
CANADA • 5855 Terry Fox Way • Mississauga, ON L5V 3E4 • 1-800-265-8352 • frigidaire.ca

FFEH3054U 01/19
© 2018 Electrolux Home Products, Inc.



***Note:** 30" minimum clearance between top of cooking surface and bottom of unprotected wood or metal overhead cabinet; or 24" minimum clearance when bottom of wood or metal overhead cabinet is protected by not less than 1/4" flame-retardant millboard covered with not less than No. 28 MSG sheet steel, 0.015" stainless steel, 0.024" aluminum or 0.020" copper. 0" clearance is minimum for rear of range. Follow all dimension requirements provided above to prevent property damage, potential fire hazard, and incorrect countertop and cabinet cuts.

INSTALLATION SPECIFICATIONS

- Product Shipping Weight (approx.) - 170 Lbs.
- Single phase 3- or 4-wire cable, 120/240 or 120/208 Volt, 60 Hertz, fused on both sides of line with ground.
- Connected Load (kW Rating) @ 240/208 Volts = 12.5/9.5 kW
- Recommended Circuit Breaker - 40 Amps
- Always consult local and national electric codes.
- Make sure wall coverings around range can withstand heat generated by range.
- Floor beneath range MUST be solid and level.
- Overhead cabinetry should not exceed a 13" maximum depth.
- Absolute minimum horizontal distance between overhead cabinets installed to either side of appliance must be no less than maximum width of appliance.
- Range can be installed flush to wall with 0" minimum rear clearance.
- Minimum 1" clearance required from edge of rangetop to nearest combustible wall on either side of range above 36" height.
- Allow 30" minimum clearance between top of cooking surface and bottom of unprotected wood or metal overhead cabinet; or 24" minimum clearance when bottom of wood or metal overhead cabinet is protected by not less than 1/4" flame-retardant millboard covered with not less than no. 28 MSG sheet steel, 0.015" stainless steel, 0.024" aluminum or 0.020" copper.
- To reduce risk of fire when using overhead cabinetry, install range hood that projects horizontally a recommended minimum of 5" beyond bottom of cabinets.
- Follow all dimension requirements provided to prevent property damage, potential fire hazard, and incorrect countertop and cabinet cuts.



FRIGIDAIRE

USA • 10200 David Taylor Drive • Charlotte, NC 28262 • 1-800-FRIGIDAIRE • frigidare.com
CANADA • 5855 Terry Fox Way • Mississauga, ON L5V 3E4 • 1-800-265-8352 • frigidare.ca

Note: For planning purposes only. Always consult local and national electric, gas and plumbing codes. Refer to Product Installation Guide for detailed installation instructions on the web at frigidare.com.

Specifications subject to change. Accessories information available on the web at frigidare.com

FFEH3054U 01/19

© 2018 Electrolux Home Products, Inc.