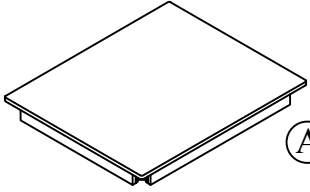
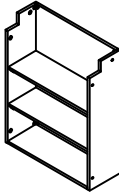
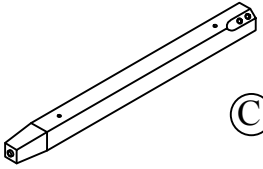
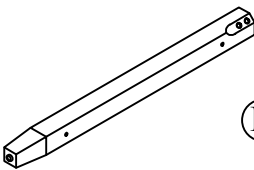
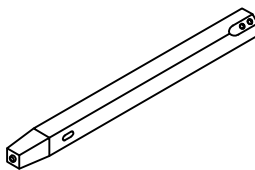
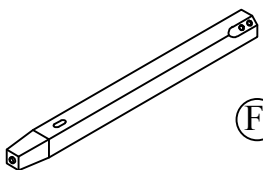
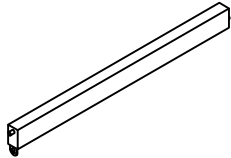
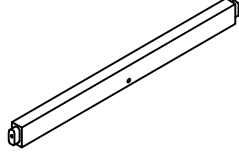











**ASSEMBLY INSTRUCTIONS**  
**ITEM # : 60581-24-01 KONA SPACE SVR TABLE WHITE**

## 60581-24-01 PARTS & HARDWARE LIST

Please assemble with the tool provided or recommended. Do not use an impact drill.

 <p>(A) TABLE TOP x 1</p>	 <p>(B) WINE RACK x 1</p>	 <p>(C) LEFT BACK LEG x 1</p>
 <p>(D) LEFT FRONT LEG x 1</p>	 <p>(E) RIGHT BACK LEG x 1</p>	 <p>(F) RIGHT FRONT LEG x 1</p>
 <p>(G) CENTER STRETCHER x 1</p>	 <p>(H) SIDE STRETCHER x 1</p>	 <p>(H1) ALLEN BOLT x 8 (Ø5/16" *60mm)</p>
 <p>(H2) SPRING WASHER x 15 (Ø5/16" )</p>	 <p>(H3) FLAT WASHER x 15 (Ø5/16")</p>	 <p>(H4) ALLEN BOLT x 6 (Ø1/4" *38mm)</p>
 <p>(H5) SPRING WASHER x 6 (Ø1/4" )</p>	 <p>(H6) FLAT WASHER x 6 (Ø1/4")</p>	 <p>(H7) SCREW x 1 (4x12mm)</p>
 <p>(H8) SCREW x 3 (4x45mm)</p>	 <p>(H9) ALLEN KEY x 1 (M4)</p>	

### Customer Service Contact Information:

Toll Free Phone Number: 1-844-771-2727

Email: [consumercare@lanefurniture.com](mailto:consumercare@lanefurniture.com)

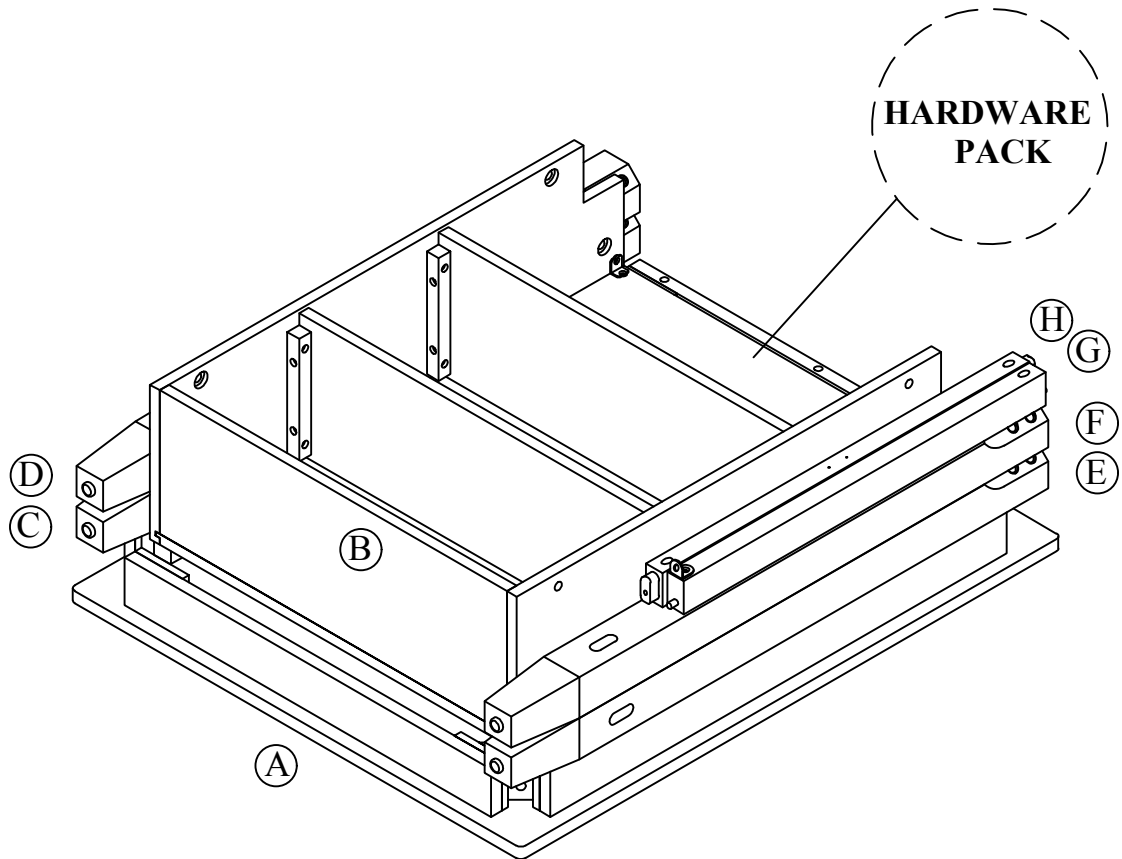
Website: [www.lanefurniture.com](http://www.lanefurniture.com)

### NOTES :

- CHECK CAREFULLY FOR SMALL PARTS WHICH MAY COME LOOSE DURING SHIPMENT.
- REMOVE ALL COMPONENTS FROM THE PACK AND PLACE ON A CLEAN, SOFT SURFACE TO ASSEMBLE.
- UNITS SHOULD BE ASSEMBLED BY TWO OR MORE PEOPLE.
- DO NOT OVER - TIGHTEN SCREW/ BOLTS UNTIL ASSEMBLY IS COMPLETED.
- WITH USE, SCREW/ BOLT MAY BE COME LOOSE & MUST BE TIGHTENED PERIODICALLY.



**HARDWARE BLISTER PACKS ARE STORED ON THE TOP OF THE TABLE BASE**



Customer Service Contact Information:

Toll Free Phone Number: 1-844-771-2727

Email: [consumercare@lanefurniture.com](mailto:consumercare@lanefurniture.com)

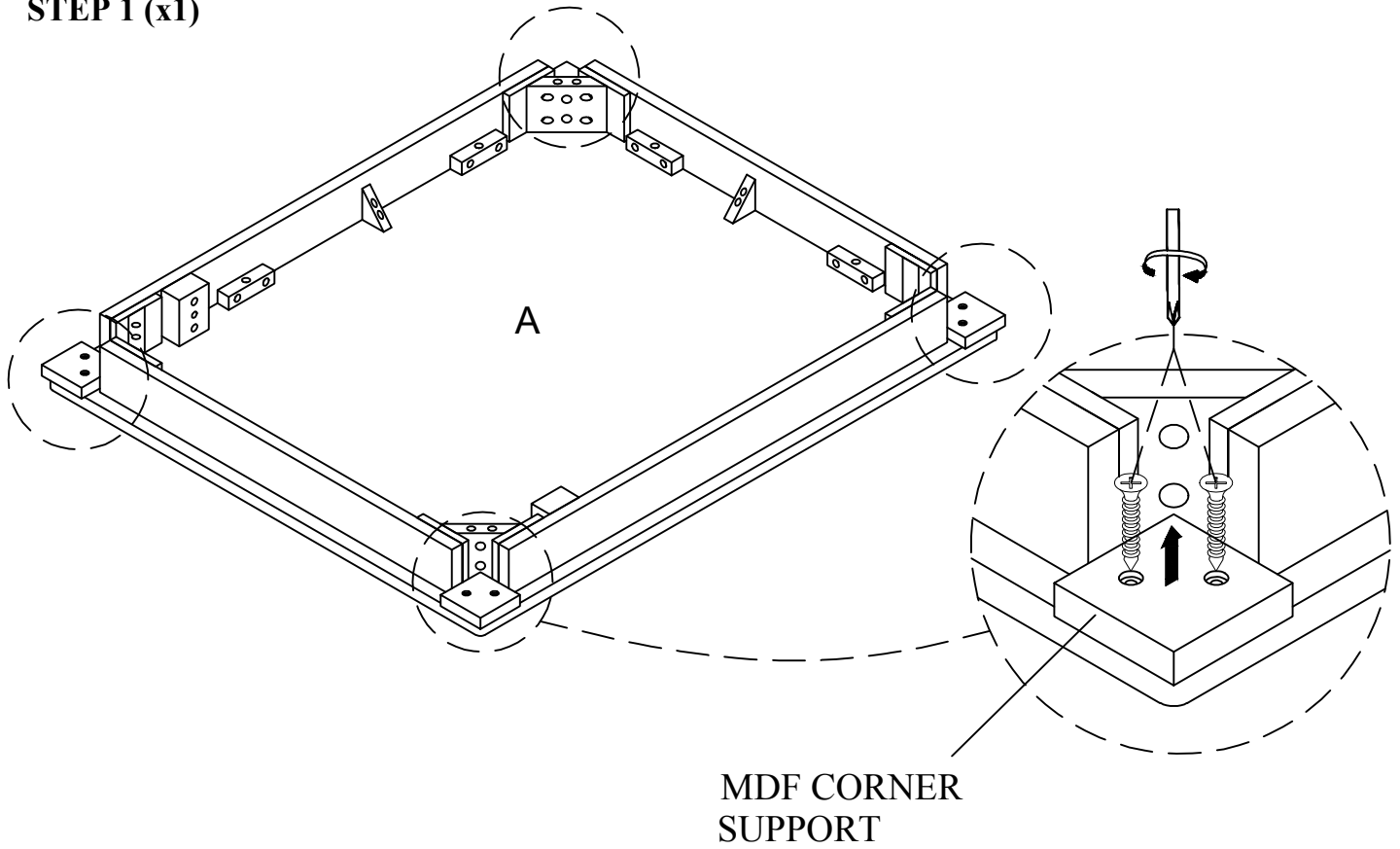
Website: [www.lanefurniture.com](http://www.lanefurniture.com)

NOTES :

1. CHECK CAREFULLY FOR SMALL PARTS WHICH MAY COME LOOSE DURING SHIPMENT.
2. REMOVE ALL COMPONENTS FROM THE PACK AND PLACE ON A CLEAN, SOFT SURFACE TO ASSEMBLE.
3. UNITS SHOULD BE ASSEMBLED BY TWO OR MORE PEOPLE.
4. DO NOT OVER - TIGHTEN SCREW/ BOLTS UNTIL ASSEMBLY IS COMPLETED.
5. WITH USE, SCREW/ BOLT MAY BE COME LOOSE & MUST BE TIGHTENED PERIODICALLY.

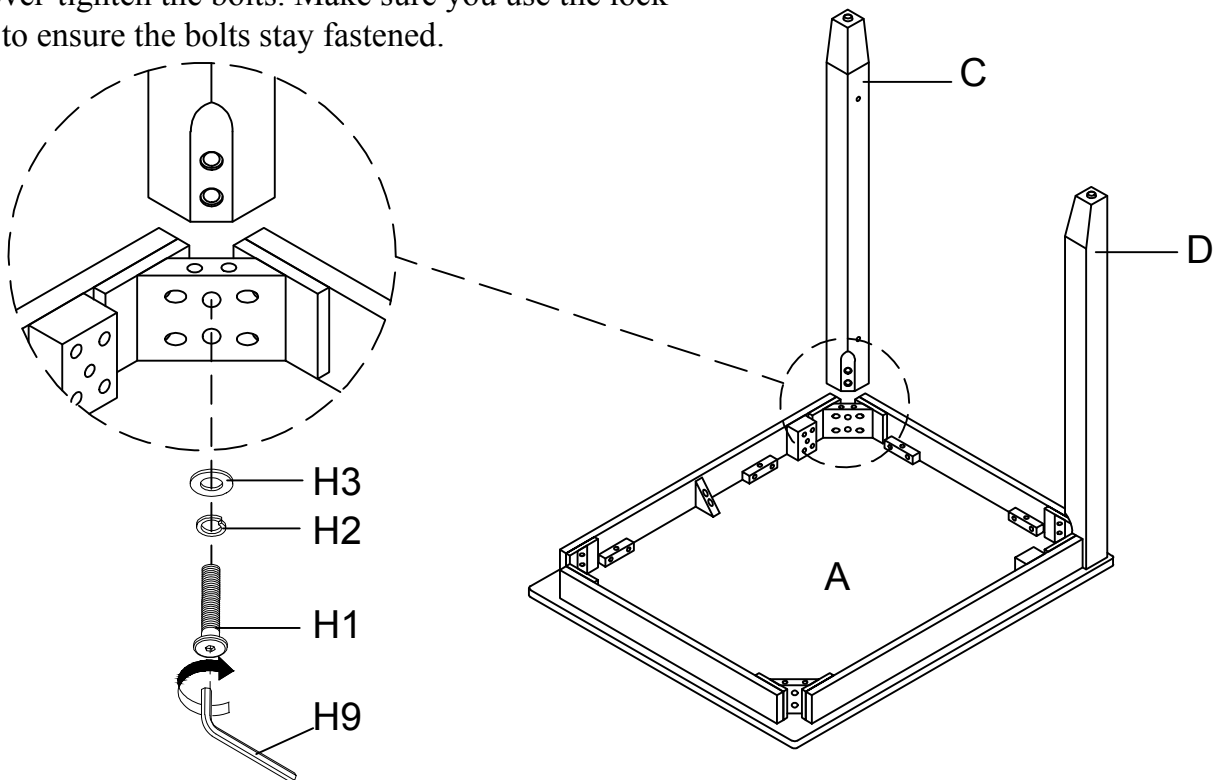


**STEP 1 (x1)**



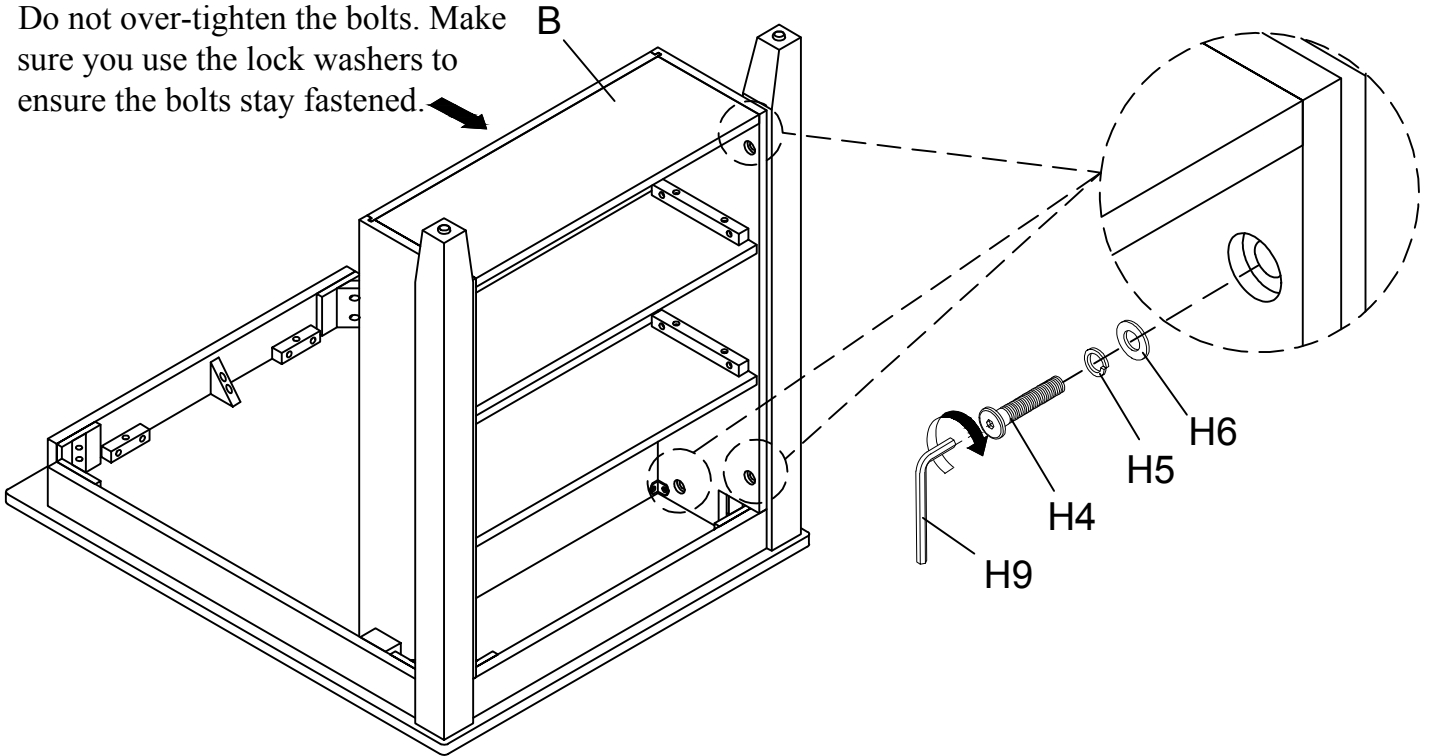
**STEP 2 (x1)**

Do not over-tighten the bolts. Make sure you use the lock washers to ensure the bolts stay fastened.



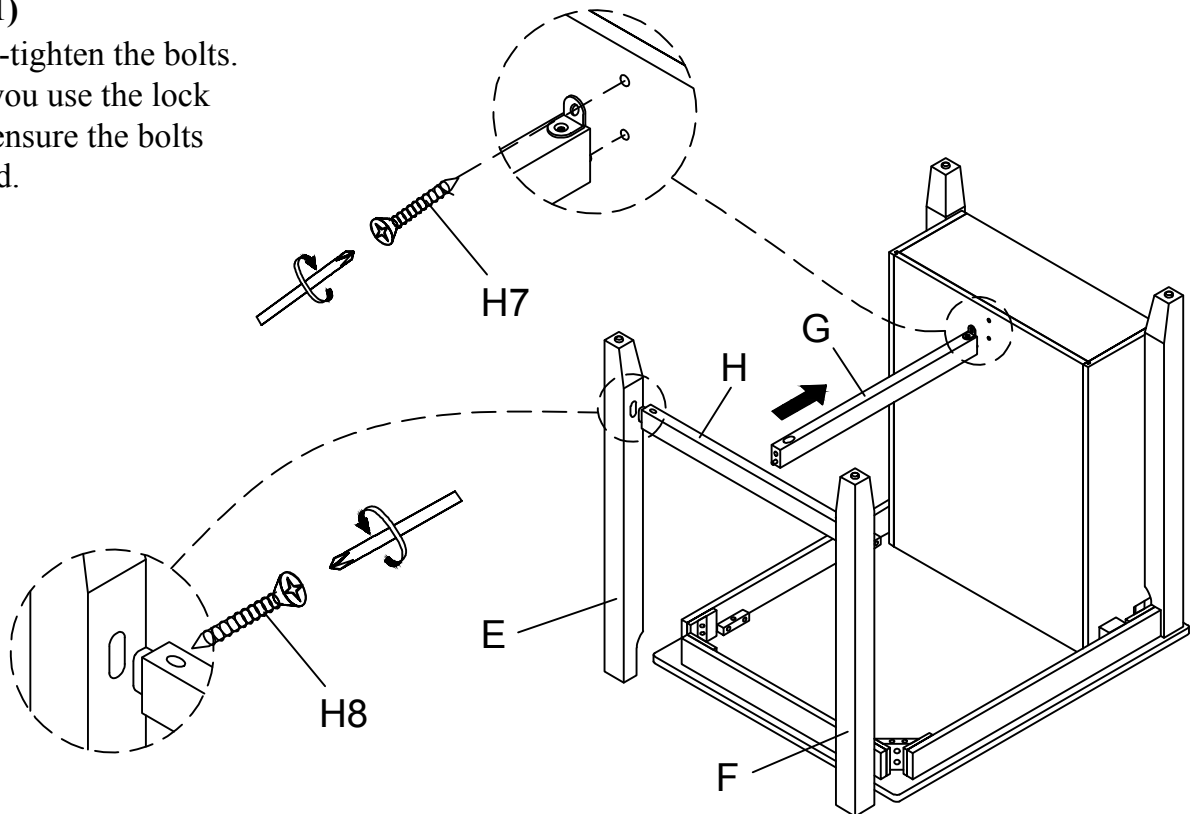
**STEP 3 (x1)**

Do not over-tighten the bolts. Make sure you use the lock washers to ensure the bolts stay fastened.



**STEP 4 (x1)**

Do not over-tighten the bolts. Make sure you use the lock washers to ensure the bolts stay fastened.



**STEP 5 (x1)**

Do not over-tighten the bolts. Make sure you use the lock washers to ensure the bolts stay fastened.

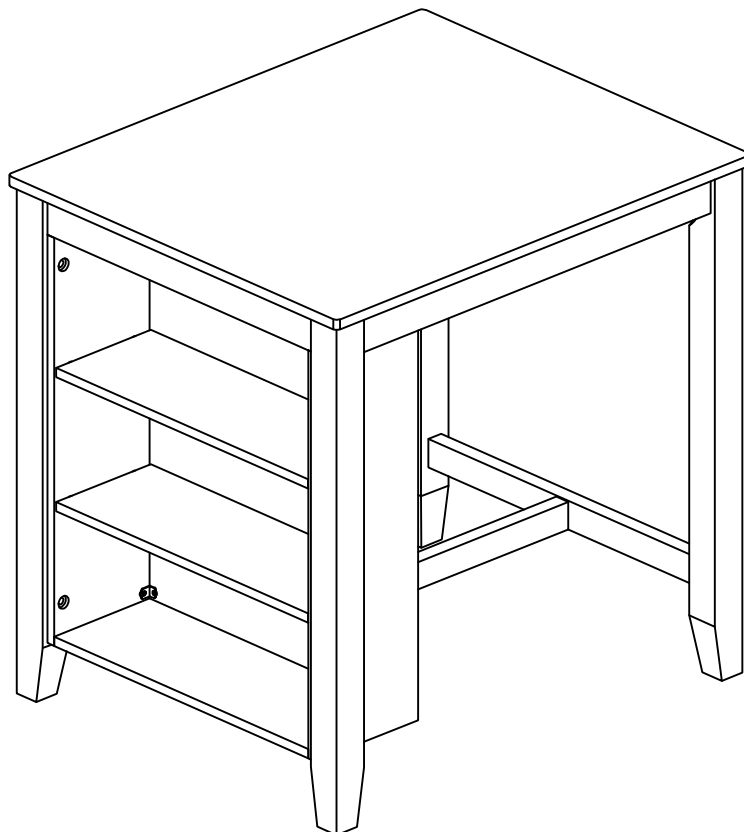
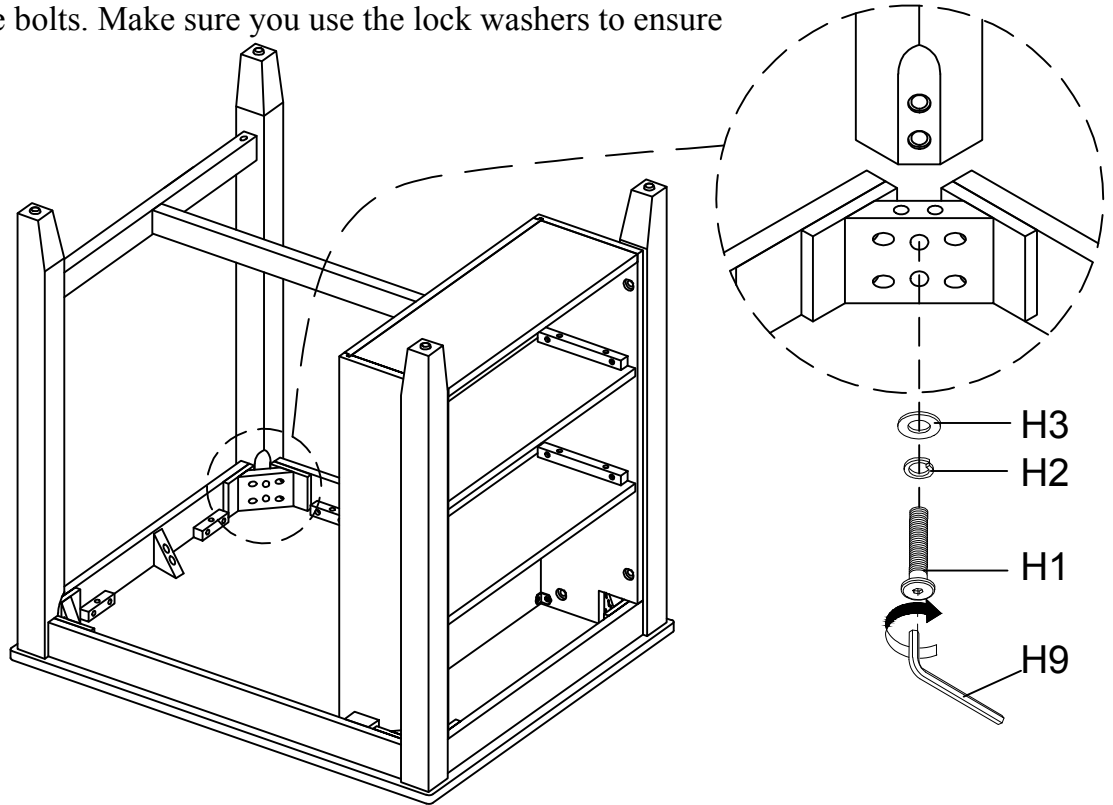


TABLE ASSEMBLY COMPLETED