



# 3 SERIES 30"W. GAS RANGE

Viking 3 Series – RVGR

## FEATURES AND FUNCTIONS

- Wide variety of BTU ratings to accommodate all types of surface cooking needs – including a fifth burner
  - Left front – 18,000 BTU
  - Left rear – 9,100 BTU
  - Center – 9,100 BTU
  - Right front – 17,000 BTU
  - Right rear – 12,000 BTU
- Sealed burners with porcelainized, cast-iron burner caps
- **EXCLUSIVE** – SureSpark™ Ignition System
  - Automatic electric spark ignition/re-ignition; surface burners light at any position on the knob and re-light if extinguished, even on lowest setting
- Large-capacity oven has six porcelain-coated rack supports and comes with one TruGlide™ Full Extension Oven Rack and two standard racks.
- High performance cooking modes include Natural Airflow Bake, Convection Bake, Broil, Convection Broil, Convection Dehydrate, and Convection Defrost
- All convection functions utilize the ProFlow™ Convection Air Baffle; specifically designed to ensure balanced air flow for even heat distribution
- **EXCLUSIVE** – combination of single 30,000 BTU U-shaped burner and broiler with SureSpark™ Ignition System
- 15,000 BTU broiler provides intense searing heat for broiling applications
- Two halogen oven lights for excellent visibility throughout oven cavity
- Shipped standard with island trim
- Accessory portable griddle/grill (RDPGD) available for use over center burner



## EASY OPERATION AND CLEANUP

- Extremely large self-clean convection oven
- Permanently sealed burners – spills cannot enter the one-piece, tooled and porcelainized burner box
- Durable metal die-cast knobs with child-proof, push-to-turn safety feature
- Customer-removable knobs, grates, and burners/caps for easy cleaning
- Continuous grate design for easy movement of pots and pans

## MODEL NUMBERS

- RVGR3302-5B – 30"W. Gas Self-Clean Range; five burners

## ACCESSORIES

- RD301BG6SS – 6" high backguard for 30" range
- RD24CSTSS – countertop side trim
- P30CRTSS – countertop rear trim for 30" range
- P30CBF4SS – curb base and custom curb base front for 30" range
- RLPKR2 – LP/Propane Conversion Kit

## COLOR FINISHES

- Stainless Steel (SS)
- Available in 18 Exclusive Color Finishes: Antique Bronze (AN), Blush (BH), Cast Black (CS), Daffodil (DA), Damascus Gray (DG), Eucalyptus (EU), Golden Hour (GH), Ivy (IV), Martini (MA), Nantucket (NA), November Sky (NS), Onyx (ON), Pure White (PW), Slate Blue (SB), Spiced Cider (SC), Squall (SQ), Splash (SP), and Valentine (VA)



## WARRANTY

- 2-year full – complete product
- 90-day full – cosmetic parts such as glass, painted items and decorative items
- 5-year limited – surface/tube burners

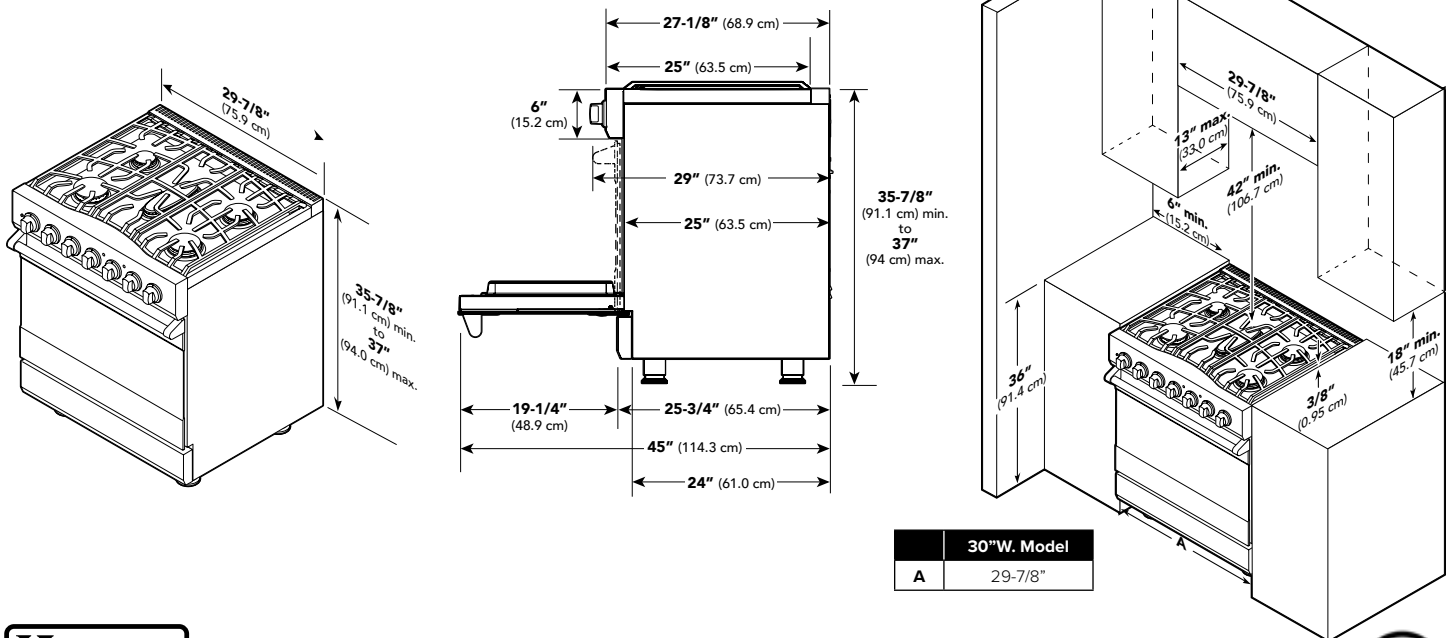


# 3 SERIES 30"W. GAS RANGE

Viking 3 Series – RVGR

GAS SELF-CLEAN 30" W. RANGE	
DESCRIPTION	RVGR3302
Overall Width	29-7/8" (75.9 cm)
Overall Height	To top of side trim – 35-7/8" (91.1 cm) minimum; 37" (94.0 cm) maximum Legs adjust – 1-1/8" (2.9 cm)
Overall Depth from Rear*	To front of side panel – 25" (63.5 cm) To front of door – 25-3/4" (65.4 cm) To front of control panel – 27-1/8" (68.9 cm) To end of knobs – 29" (73.7 cm)
Additions to Overall Height	To top of island trim – add 1" (2.54 cm) To top of 6" h. backguard – add 6" (15.2 cm) To top of high shelf – add 18-3/16" (46.2 cm)
Gas Requirements	Ships Natural or LP/Propane; Field convert with conversion kit (purchased separately); accepts standard residential 1/2" (1.3 cm) ID gas service line.
Gas Manifold Pressure	Natural 5.0" W.C.P./ Liquid Propane L/P 10.0" W.C.P.
Electrical Requirements	120VAC/60Hz; 4 ft. (121.9 cm), 3-wire cord with grounded 3-prong plug attached to unit
Maximum Amp Usage	0.74 amps
Surface Burner Rating Natural/LP	Left Front: 18,000 BTU Nat./15,800 BTU LP/Propane (5.3 kW Nat./4.7 kW LP/Propane) Left Rear: 9,100 BTU Nat./6,500 BTU LP/Propane (2.7 kW Nat./1.9 kW LP/Propane) Center: 9,100 BTU Nat./8,000 BTU LP/Propane (2.7 kW Nat./1.9 kW LP/Propane) Right Front: 17,000 BTU Nat./15,000 BTU LP/Propane (5.1 kW Nat./4.4 kW LP/Propane) Right Rear: 12,000 BTU Nat./11,000 BTU LP/Propane (3.5 kW Nat./3.2 kW LP/Propane)
Oven Interior Width	Width – 23" (58.4 cm)
Oven Interior Height	Height – 16-1/8" (40.9 cm)
Oven Interior Depth	Overall – 18-3/4" (47.6 cm) AHAM* – 15-3/8" (39.1 cm)
Oven Volume	Overall – 4.0 cu. ft. AHAM* – 3.3 cu. ft.
Approximate Shipping Weight	356 lb. (161.5 kg)

Please do not prepare installation from brochure data only. See installation instructions for important clearance/installation information.  
\*\*The AHAM Standard for measuring oven capacity subtracts the door plug and convection baffle dimension from the total oven volume.



VIKING RANGE, LLC 111 FRONT STREET GREENWOOD, MISSISSIPPI 38930 USA

For detailed product information, model numbers, or to request a quote call 1-888-845-4641 or visit [vikingrange.com](http://vikingrange.com)  
© 2024 Viking Range, LLC All rights reserved. Specifications subject to change without notice.

