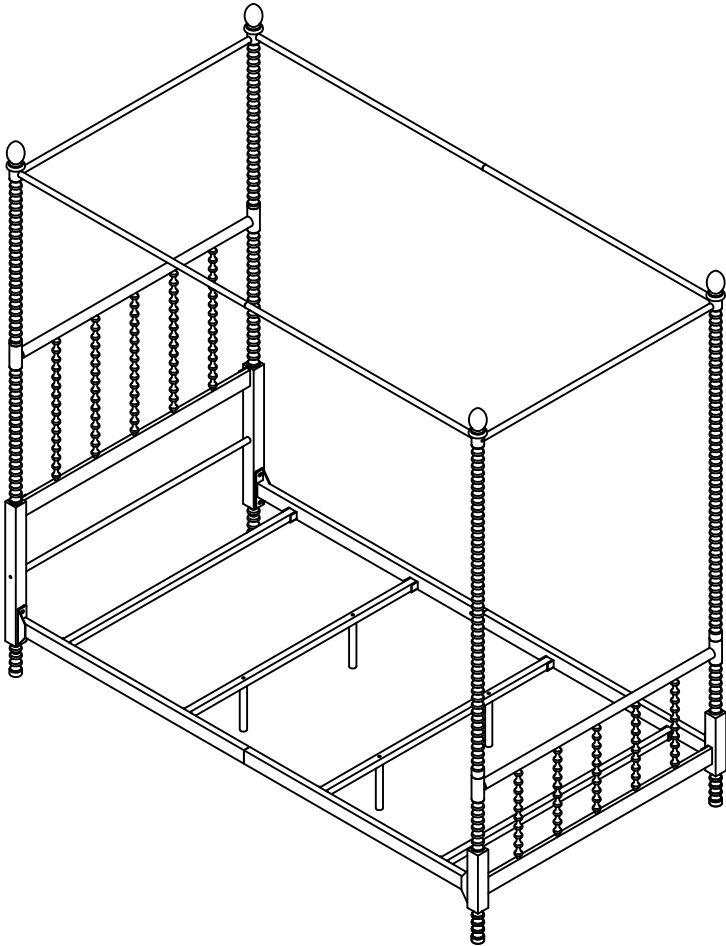
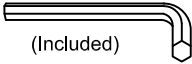


ASSEMBLY INSTRUCTIONS



TOOLS REQUIRED



(Included)
Allen Wrench



3 - People

ASSEMBLY RATING



EASY ————— DIFFICULT

The Assembly Rating is a 5-point system showing the level of effort needed to assemble a specific product.

PRE ASSEMBLY INTRODUCTION

We understand building ready-to-assemble furniture can be a challenging experience for some. To help avoid confusion, we have provided some helpful tips that may speed up the process.



Teamwork

ALWAYS have at least two people to help with transporting and assembling the product to avoid potential injury and/or damage.



Suitable Location

Assembling near the area of the intended location is highly recommended.



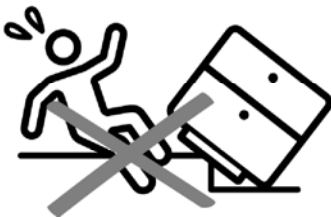
Sufficient Space

Make sure you have enough space to move around during the assembly.



Avoid Scratches

Use cardboard, blankets or a carpeted area while assembling furniture to prevent scratches.



Flat Surface

Make sure the furniture rests on a flat and level surface with each leg evenly touching the floor.

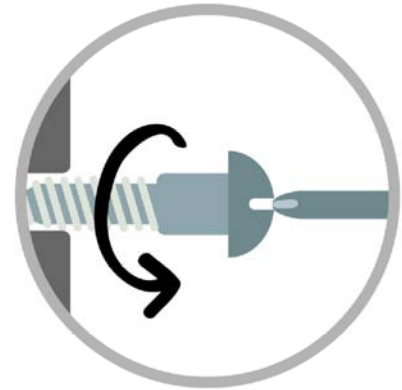
ASSEMBLY AND CARE ADVICE



FAILURE TO FOLLOW THE GUIDELINES BELOW MAY RESULT IN INJURY AND/OR PROPERTY DAMAGE.



Position each part correctly and insert screws or bolts into their respective holes.



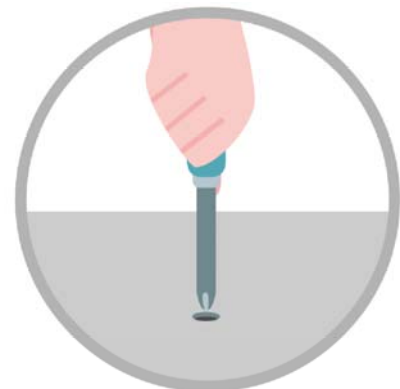
Turn clockwise to tighten and only tighten when step is completed or when instructed to do so.



Use the appropriate hand tools or power tools for assembly. Select steps, such as tightening screws and/or bolts, may require hand tools to avoid causing damage during assembly.



Save the instructions and store any supplied tools for later maintenance.



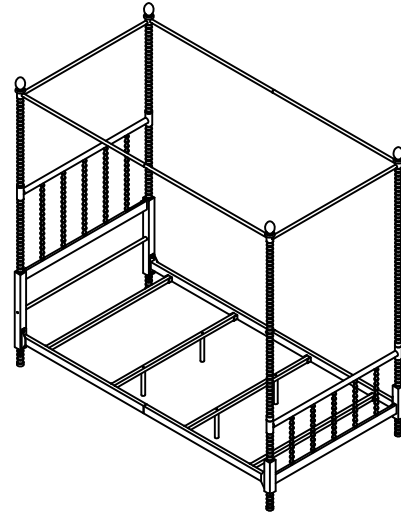
After two weeks, check and tighten any loose hardware and repeat again every six months thereafter.

IT IS THE USER'S RESPONSIBILITY TO MAINTAIN THE FURNITURE. THE HARDWARE MAY LOOSEN OVER TIME AND MAY CAUSE THE FURNITURE TO BE WOBBLY AND UNABLE TO SUPPORT ITS INTENDED WEIGHT CAPACITY. THIS MAY LEAD TO COLLAPSE AND MAY CAUSE SERIOUS INJURY.

METAL BED

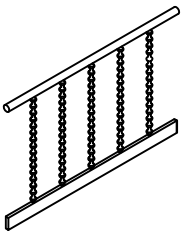


- Please keep instructions for future reference.
- Check the quantity and irregularity of parts and hardware before you start.



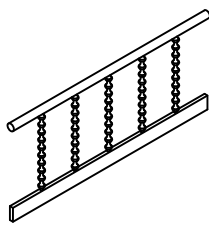
PARTS

1



Headboard
1 pc

2



Footboard
1 pc

3



Left Headboard Post
1 pc

4



Right Headboard Post
1 pc

5



Left Footboard Post
1 pc

6



Right Footboard Post
1 pc

7



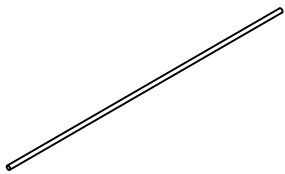
Upper Headboard Post
2 pcs

8



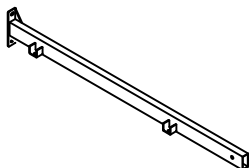
Upper Footboard Post
2 pcs

9



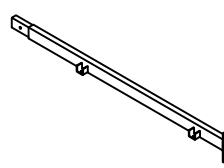
Cross Bar
1 pc

10



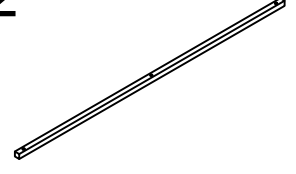
Side Rail 1
2 pcs

11



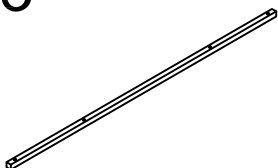
Side Rail 2
2 pcs

12



Slat 1
2 pcs

13



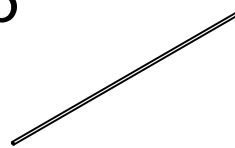
Slat 2
2 pcs

14



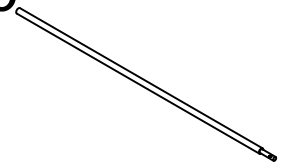
Support Leg
4 pcs

15



Short Canopy Tube
2 pcs

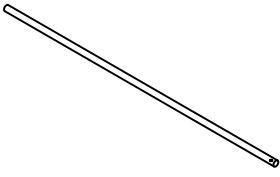
16



Long Canopy Tube
2 pcs

PARTS

17



Long Canopy Tube 2
2 pcs

18



Fianal
4 pcs

HARDWARE

A



Bolt 1/4" x 1/2"
14 pcs

B



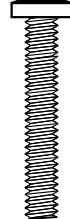
Bolt 1/4" x 5/8"
30 pcs

C



Bolt 1/4" x 1-3/4"
4 pcs

D



Bolt 1/4" x 2-1/2"
10 pcs

E



Flat Washer ϕ 16mm
36 pcs

F



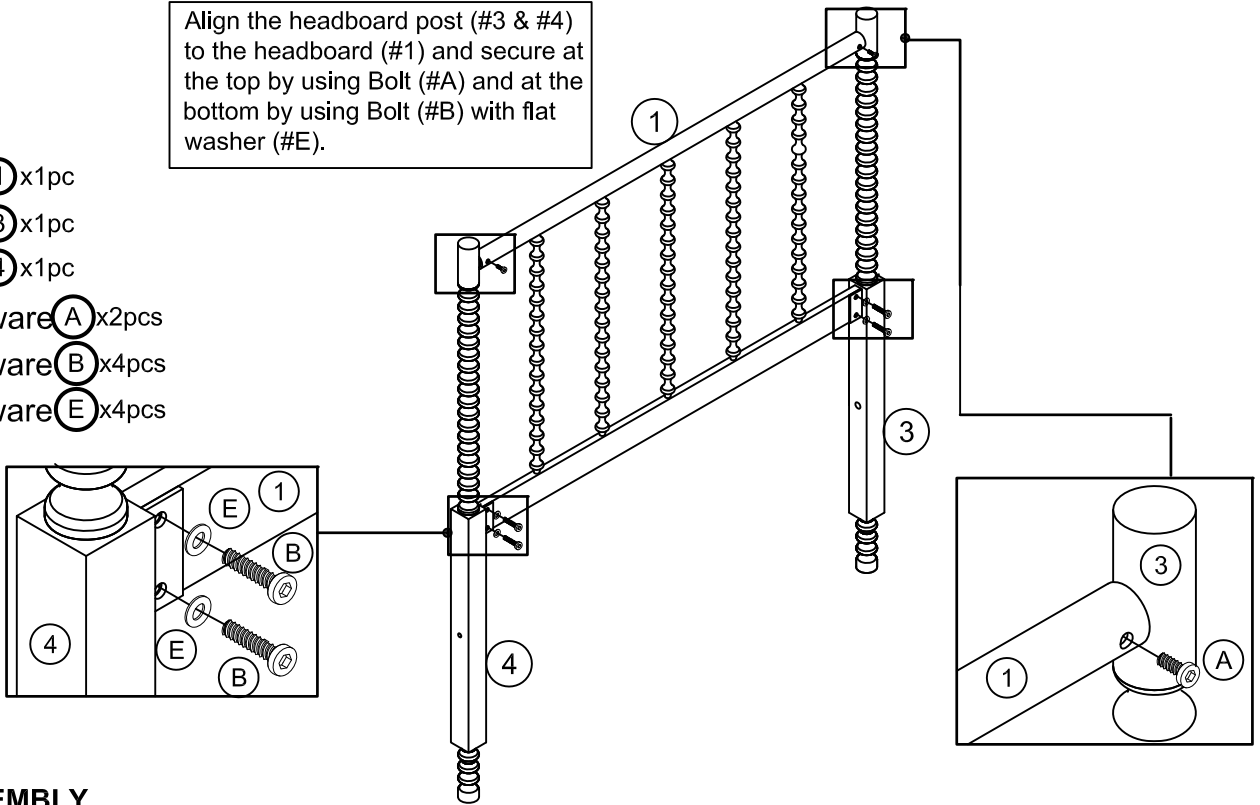
Allen Wrench M4
1 pc

ASSEMBLY INSTRUCTIONS

1

- Part ① x1pc
- Part ③ x1pc
- Part ④ x1pc
- Hardware ①A x2pcs
- Hardware ①B x4pcs
- Hardware ①E x4pcs

Align the headboard post (#3 & #4) to the headboard (#1) and secure at the top by using Bolt (#A) and at the bottom by using Bolt (#B) with flat washer (#E).



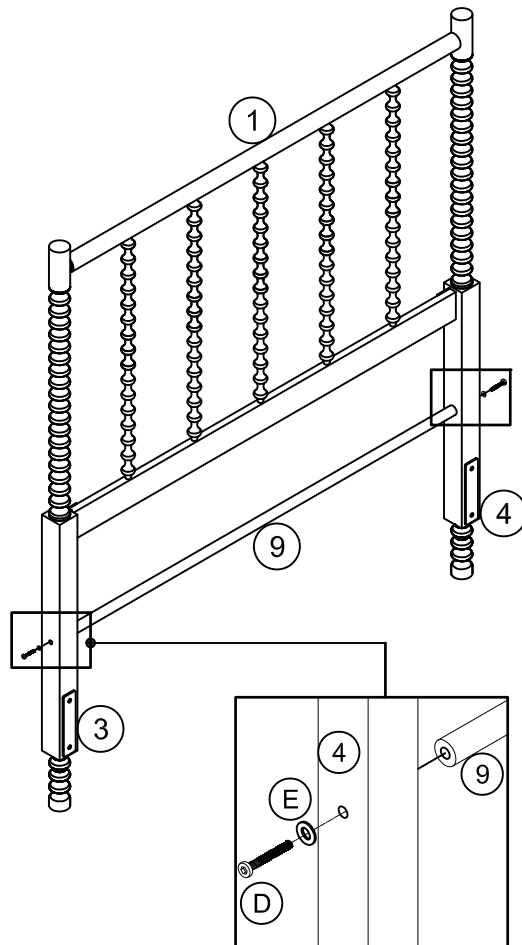
ASSEMBLY

Keep bolts loose during initial assembly.
Tighten bolts only after all parts are assembled for best alignment.

2

- Part ⑨ x1pc
- Hardware ①D x2pcs
- Hardware ①E x2pcs

Attach the cross bar (#9) in between the headboard posts (#3 & #4) by using Bolt (#D) with flat washer (#E).

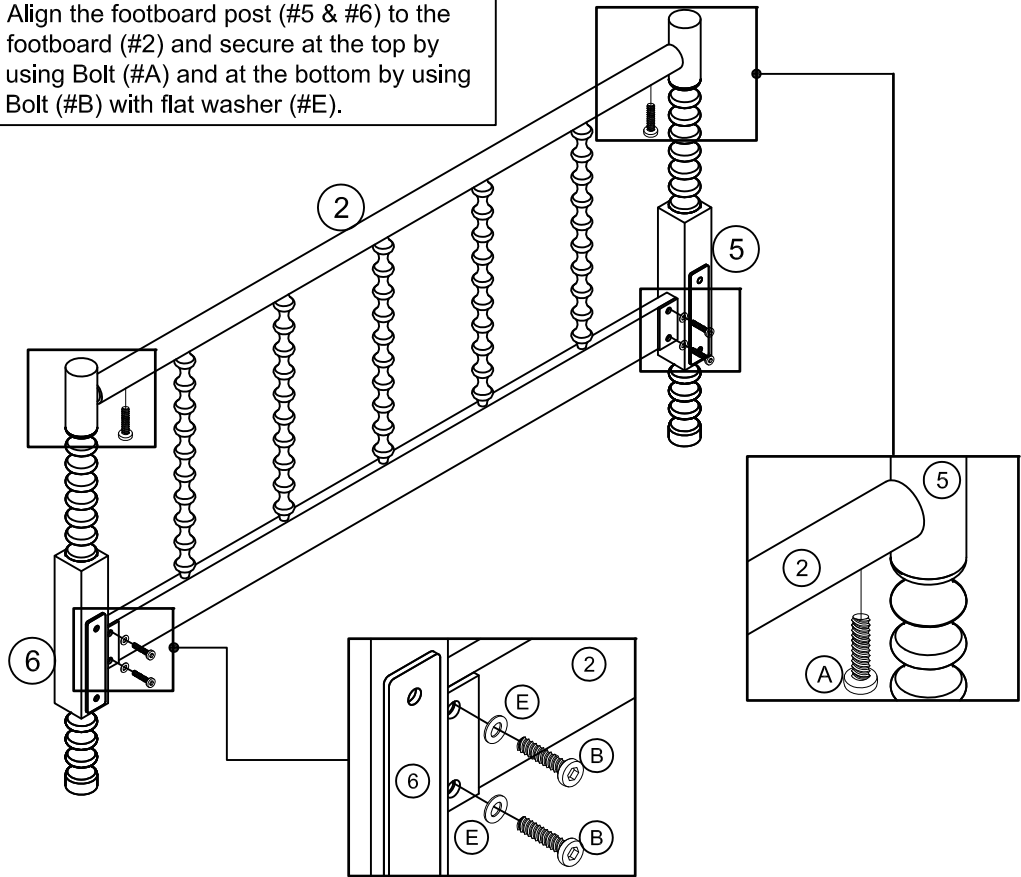


ASSEMBLY INSTRUCTIONS

3

- Part ② x1pc
- Part ⑤ x1pc
- Part ⑥ x1pc
- Hardware ① x2pcs
- Hardware ② x4pcs
- Hardware ③ x4pcs

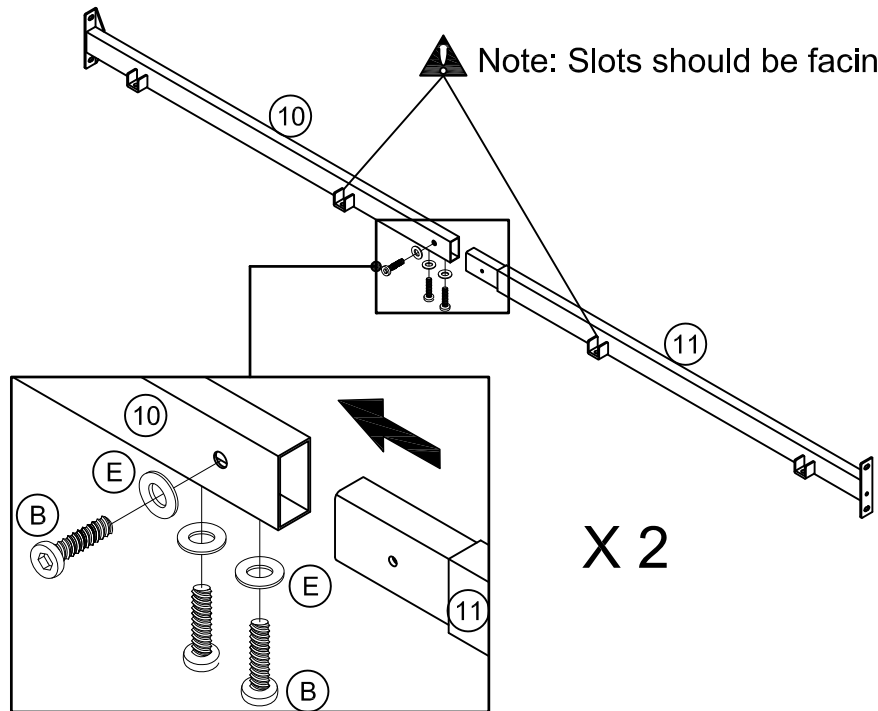
Align the footboard post (#5 & #6) to the footboard (#2) and secure at the top by using Bolt (#A) and at the bottom by using Bolt (#B) with flat washer (#E).



4

- Part ⑩ x2pcs
- Part ⑪ x2pcs
- Hardware ② x6pcs
- Hardware ③ x6pcs

Note: Slots should be facing up.



Attach side rails (#10 & #11) by using Bolt (#B) with Flat washer (#E).

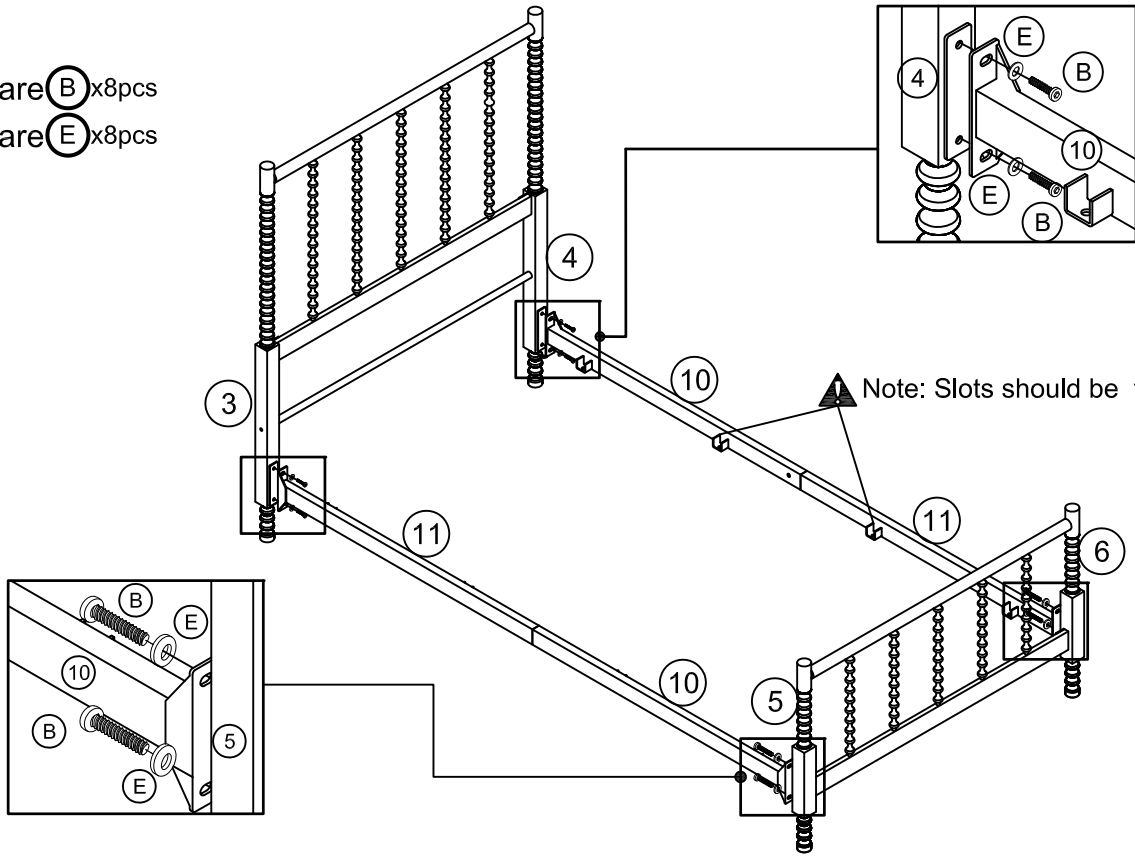
ASSEMBLY INSTRUCTIONS

5

Hardware (B) x8pcs

Hardware (E) x8pcs

Attach side rails to the headboard and footboard by using Bolt (#B) with flat washer (#E).



Note: Slots should be facing up

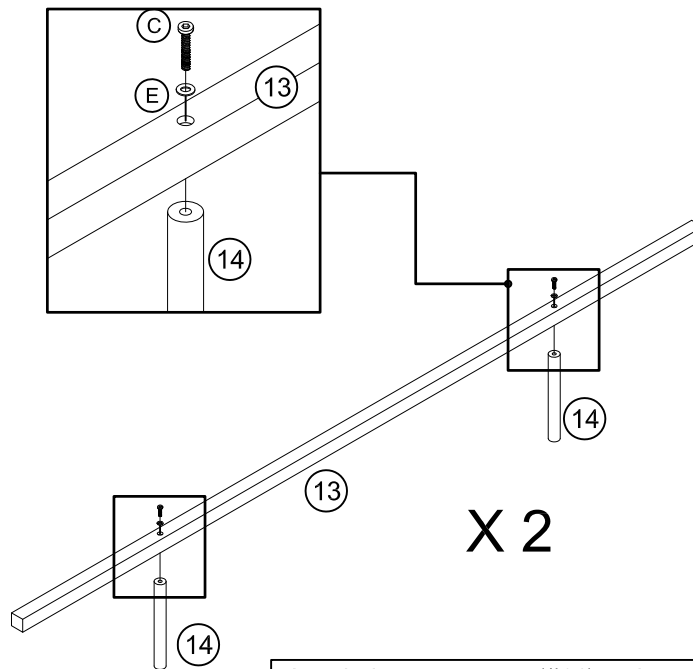
6

Part (13) x2pcs

Part (14) x4pcs

Hardware (C) x4pcs

Hardware (E) x4pcs



X 2

Attach the support leg (#14) to the slat (#13) by using Bolt (#C) with Flat washer (#E).

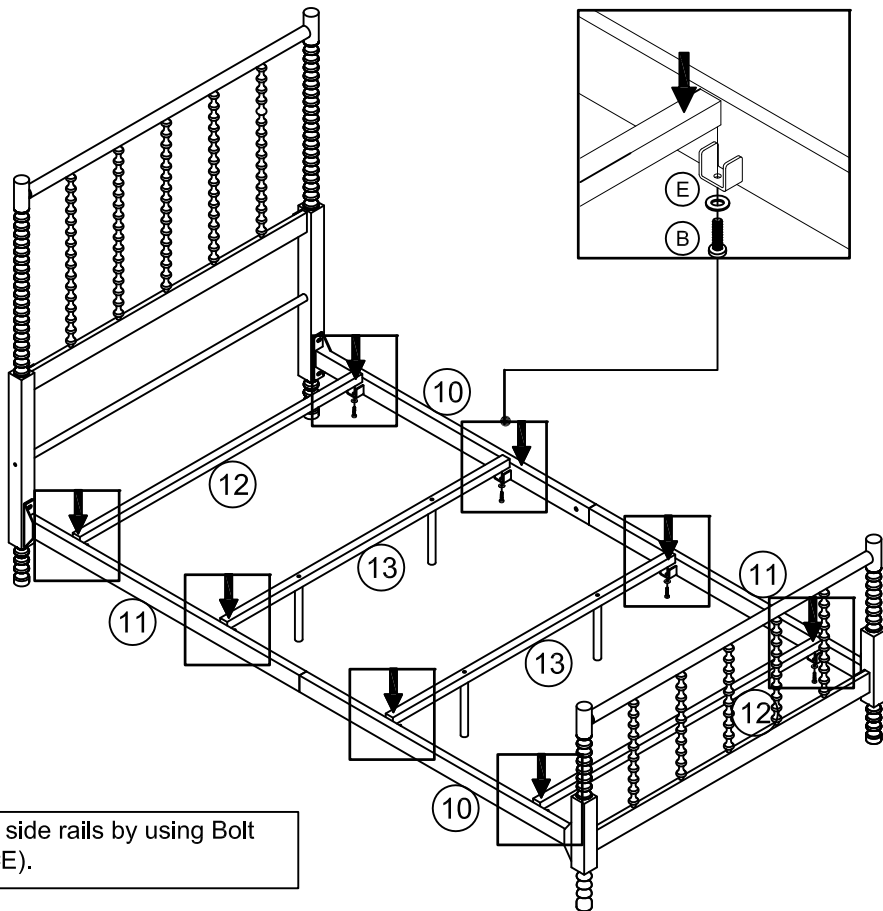
ASSEMBLY INSTRUCTIONS

7

Part 12 x2pcs

Hardware B x8pcs

Hardware E x8pcs



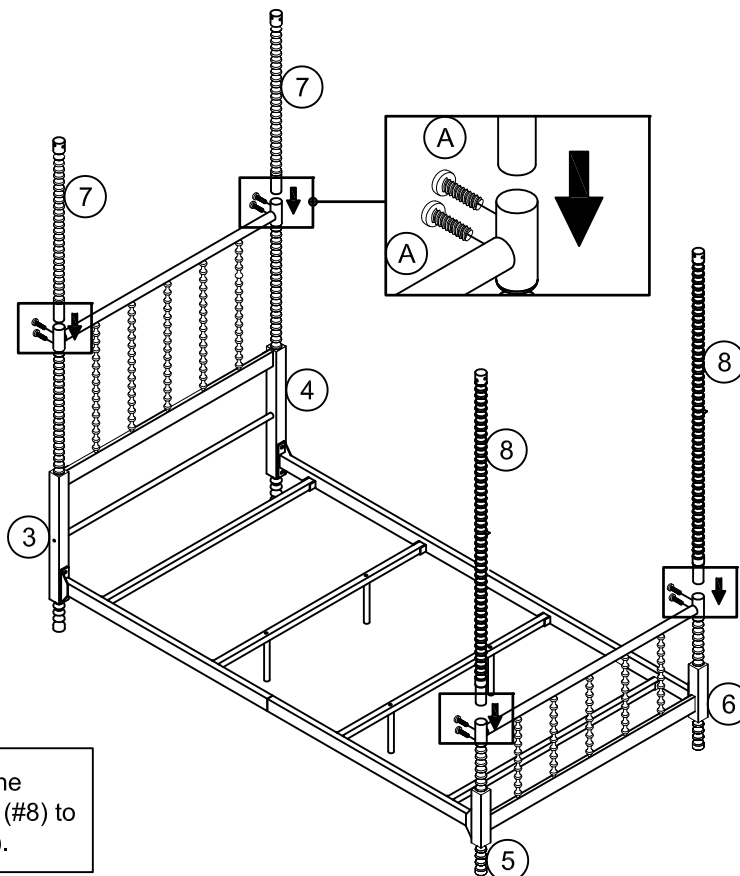
Install the slats onto the side rails by using Bolt (#B) with Flat washer (#E).

8

Part 7 x2pcs

Part 8 x2pcs

Hardware A x8pcs



Attach the upper posts (#7) to the headboard and the upper posts (#8) to the footboard by using Bolt (#A).

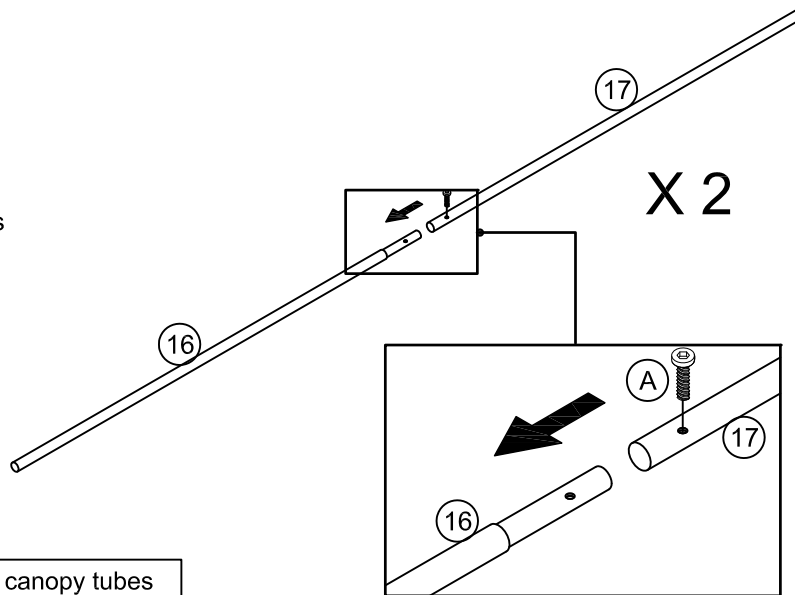
ASSEMBLY INSTRUCTIONS

9

Part 16 x2pcs

Part 17 x2pcs

Hardware A x2pcs

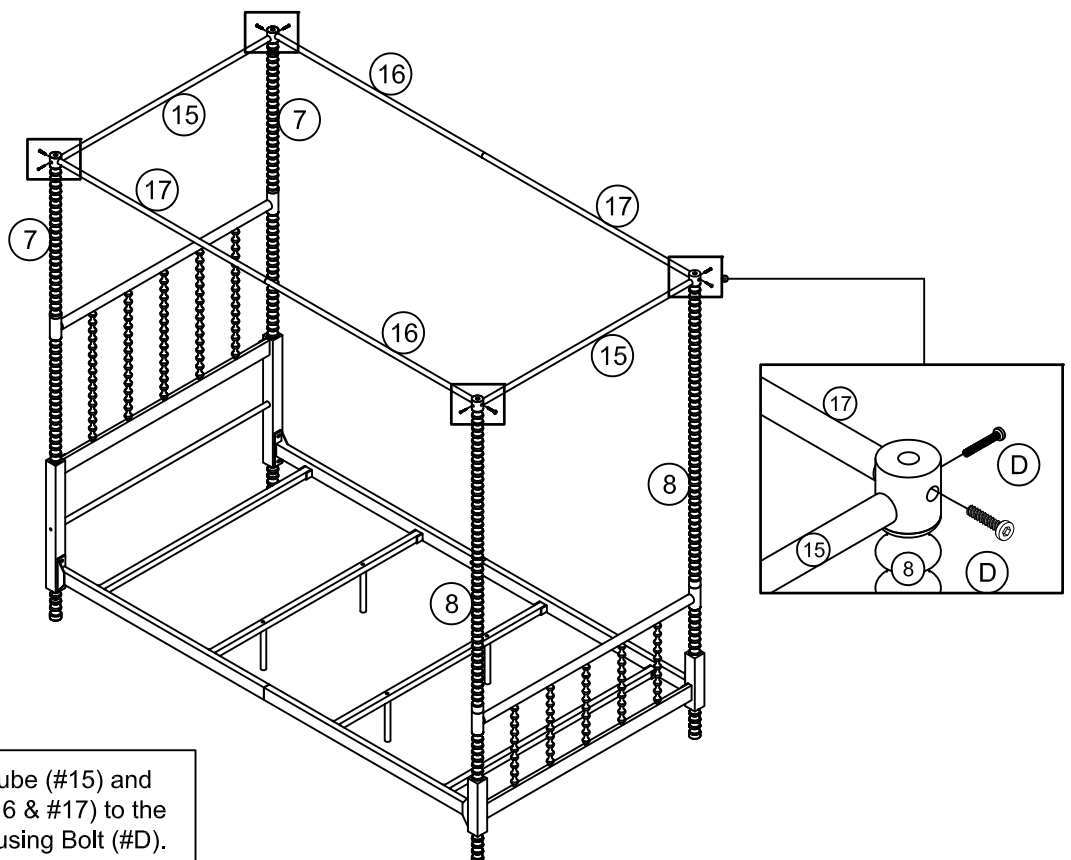


Attach long canopy tubes (#16 & #17) with Bolt (A).

10

Part 15 x2pcs

Hardware D x8pcs

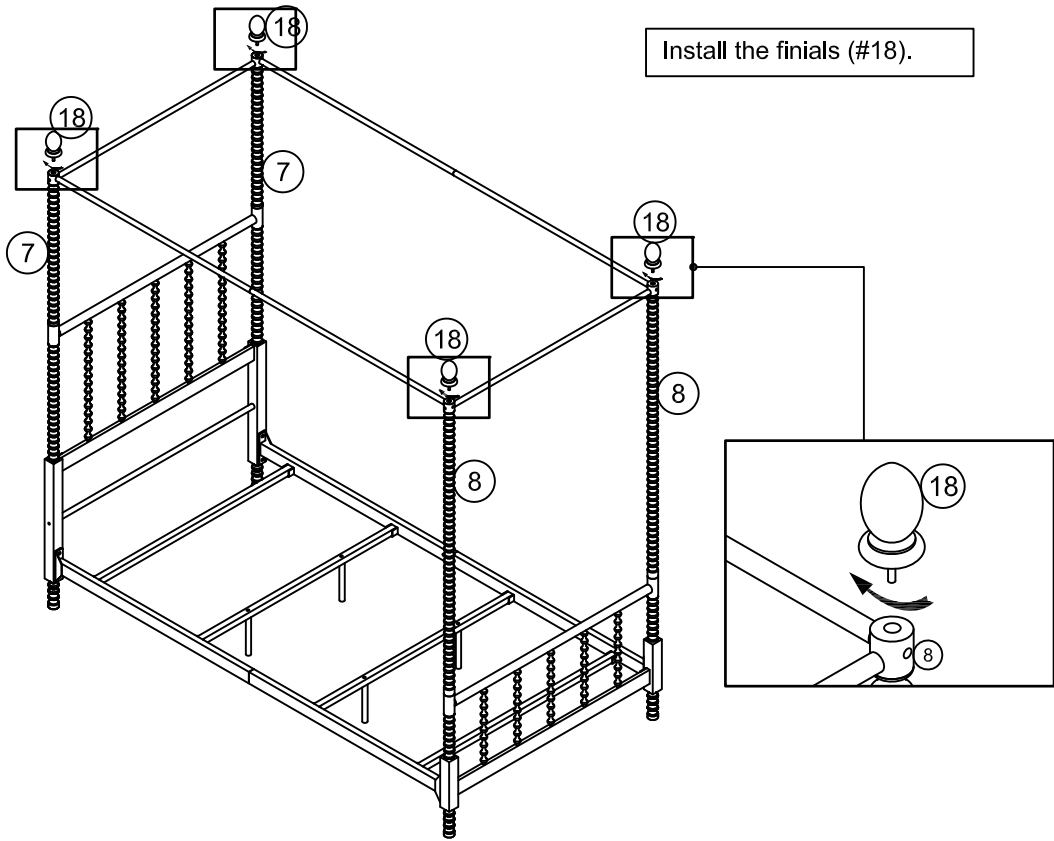


Install the short canopy tube (#15) and the long canopy tube (#16 & #17) to the upper post (#7 & #8) by using Bolt (#D).

ASSEMBLY INSTRUCTIONS

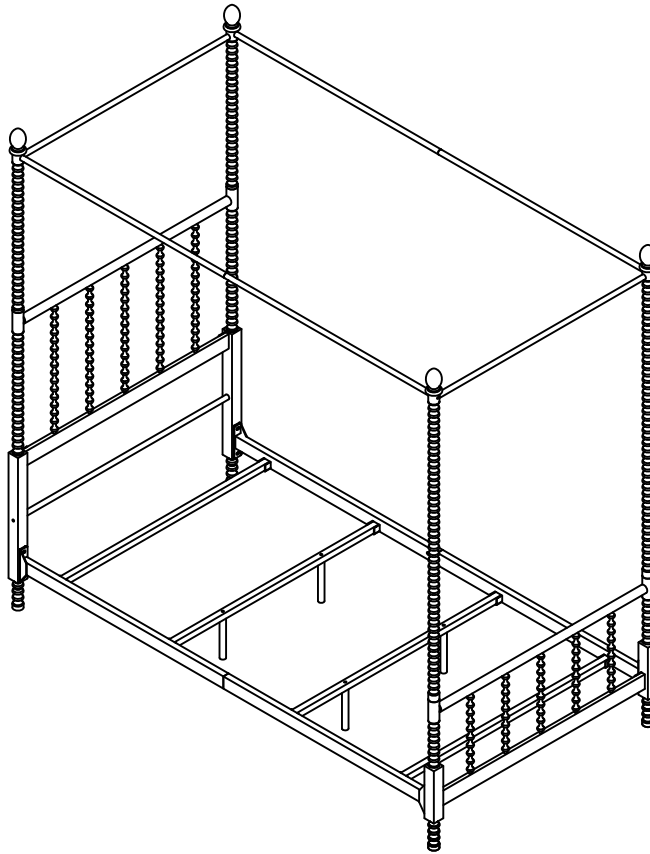
11

Part 18 x4pcs



ASSEMBLY INSTRUCTIONS

12



WARNINGS:

- Use only mattress which is 74"-75" long and 37 $\frac{1}{2}$ "-38 $\frac{1}{2}$ " wide.
- Do not allow horseplay or under the bed and prohibit jumping on the bed.
- Periodically check and ensure that all the components are in their proper position, free from damage, and that all connectors are tight.
- Do not substitute parts, contact the store for replacement parts.
- Maximum total weight is not to exceed 600 lbs.
- **Keep these instructions for future reference.**

ASSEMBLY COMPLETED



Please ensure the furniture rests on an even and flat surface. If the product wobbles or feels loose, double-check all bolts and/or screws are properly tightened and secured.



Keep this handy !

Please retain this instruction manual and any order-related information for future reference.



Lift don't drag !

To avoid damage to product please always LIFT the product when transporting or adjusting the placemat.

This product is intended for RESIDENTIAL USE ONLY and not for commercial use.