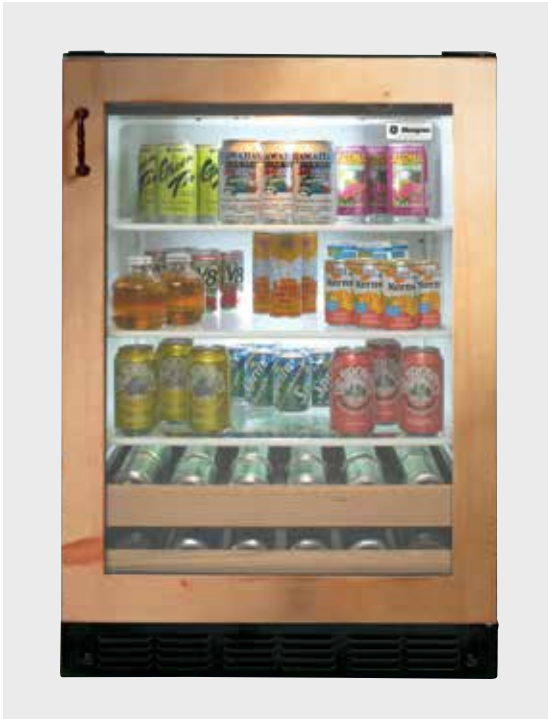


OVERALL DIMENSIONS



SPECIFICATIONS

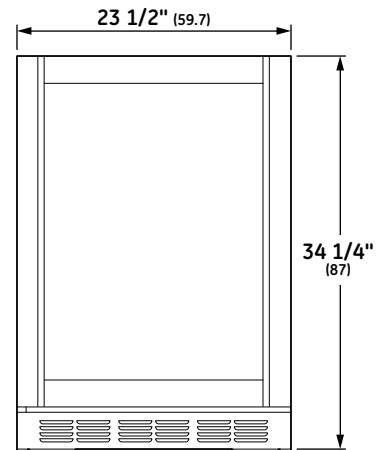
Overall Width	23 1/2" (59.7 cm)
Overall Height	33 1/4" (87 cm)
Overall Depth	23 9/16" (58.6 cm)
Door Clearance	9 3/8" (23.8 cm) @ 110° 5/8" (1.6 cm) @ 90° 23 5/8" (58.6) door length
Overall Capacity	5.5 cu. ft.
Minimum Cabinet Width	23 3/4" (60.3 cm)
Minimum Cabinet Depth	24" (60.9 cm)
Cutout Width	23 3/4" (60.3 cm)
Cutout Height	34 1/2" (87.7 cm) Min 35" (89 cm) Max
Electrical Requirements	1.2 A
Voltz/Hertz/Amps	120 V, 60 Hz, 15 or 20 amp circuit
Shipping Weight	146 lb (66 kg)

ATTENTION ELECTRICIAN:

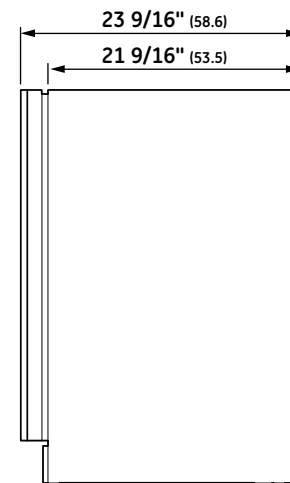
A 115 volt 60Hz., 15 or 20 amp power supply is required. An individual properly grounded branch circuit or circuit breaker is recommended. Install a properly grounded 3-prong electrical receptacle recessed into the back wall.

Dimensions in parentheses are in centimeters unless otherwise noted.

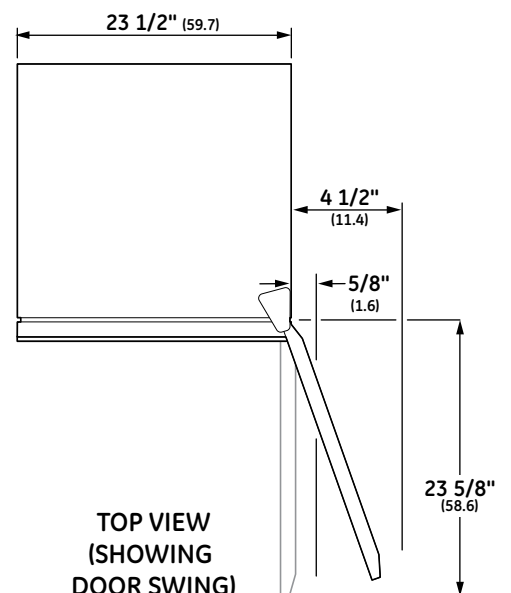
Actual product dimension may vary due to manufacturing tolerances.



FRONT VIEW



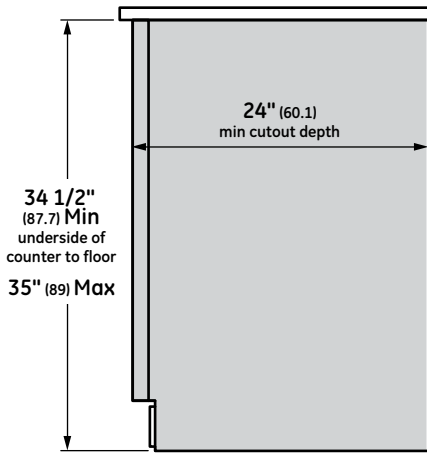
SIDE VIEW



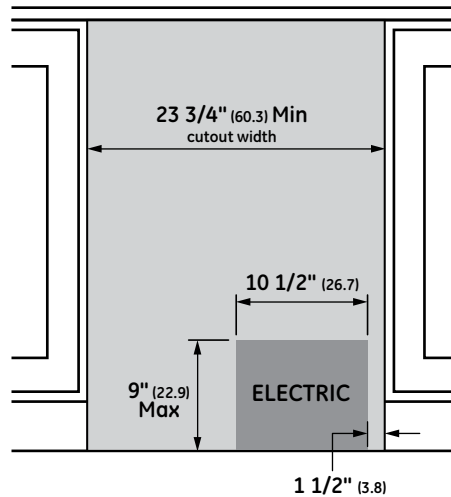
TOP VIEW  
(SHOWING  
DOOR SWING)



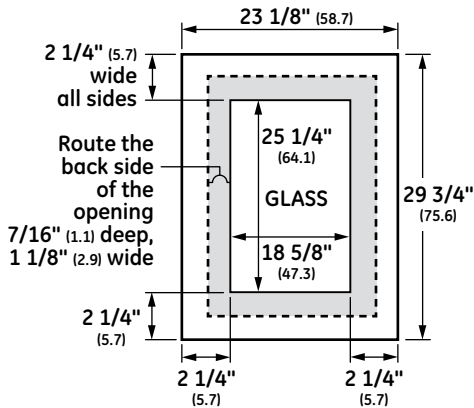
INSTALLATION



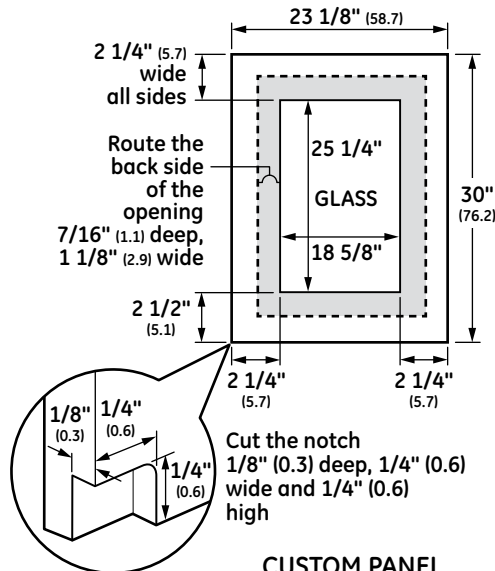
FLUSH CUTOUT INSTALLATION  
SIDE VIEW



INSTALLATION CUTOUT  
FRONT VIEW



CUSTOM PANEL  
OPTION 1



CUSTOM PANEL  
OPTION 2

NOTES

**Installation Space**  
The Monogram® Beverage Center may be installed beneath a countertop or can be used free-standing.

- If installing between frameless cabinets, a 1/2"-wide filler strip or side panel may be required. The filler strip will act as a spacer between the door case and adjacent cabinet and will prevent interference with cabinet door swing. The width of the opening must include filler panels.

**Note:** When installed, the door should project forward 1" of adjacent 24"-deep cabinets.

**Location Requirements**  
All Monogram Refrigeration Modules may be closed in on the top and sides as long as the front is unobstructed for air circulation and door swing.

- Do not install these products where the temperatures will go below 55°F (13°C) or above 90°F (32°C).
- Do not install where they will be subject to direct sunlight, heat or moisture.
- These products are not designed to be stacked one over the other.

**Side-by-Side Installation**  
For a complete refreshment center, install a Monogram Wine Reserve and Beverage Center together.

- Products must operate from separate properly grounded receptacles.

**Door Swing Clearances**  
All Monogram Refrigeration Modules are factory set for a 110° door swing.

- When installed in a corner:
- Allow the minimum door swing clearances shown.
  - The minimum clearance shown at 90° will allow full extension of drawers and shelves.

## FEATURES AND BENEFITS

**Custom-Panel Option** - Lets you coordinate models with cabinetry for a look of elegant understatement

**Custom Panel and Handle Required** - Customer must choose a custom door panel and handle to complement their décor

**Spacious Interior with Removable Glass Shelves and Full-Extension Wine Racks** - Accommodates beverages of all types and sizes, and puts them all within easy reach

**Convenient 24" Configuration** - Is fully finished on all sides to allow installation virtually anywhere in the home

**Digital Touch Temperature Controls** - Provide precise temperature settings for cooling of all types of beverages

**Storage Convenience** - Three removable glass shelves, including a QuickSpace™ shelf, and two full-extension wine racks hold up to 10 wine bottles, as well as 12-ounces cans, quart-size bottles, and two-liter plastic containers

**Flexible Installation** - The free-standing beverage center may be built into cabinetry, and the door swing is easily reversed as needed

