

SHARP | Simply Better Living

24" IoT Microwave Drawer™

SMD2489ES

1.2
CU.FT.

950
WATTS

Sharp Kitchen Application for iOS and Android™ Devices

"Easy Wave Open" for Quick, Touchless Opening of The Microwave Drawer™

Concealed, Glass, Touch Controls are Easy-to-See and Operate at a Convenient 45° Angle

Modern Edge-to-Edge Black Glass with Convenient Viewing Window

Includes Built-In Airflow Control for Flush Mounting



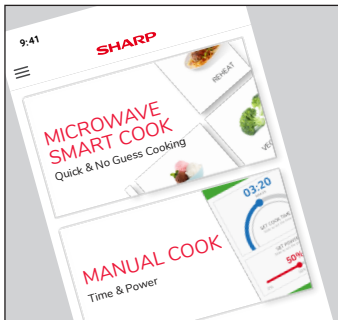
INTRODUCING THE WORLD'S FIRST SMART MICRO-WAVE

The Sharp SMD2489ES is the first, built-in Microwave Drawer™ with wifi connectivity for seamless integration with your modern, smart home. Download the **Sharp Kitchen** app to enable the smart features.

The SMD2489ES Sharp Microwave Drawer™ features Built-In Airflow venting. Now you can choose the traditional "proud mount" installation or flush mounting for a streamlined finish without additional trim-kits or vent deflectors.

With our **Easy Wave Open** feature for touchless operation, simply wave up-and-down near the motion sensor and the Microwave Drawer™ will glide open. With the touch of a button or a gentle nudge, our patented Easy Touch Automatic Drawer System smoothly closes the oven to avoid messy spills. The SMD2489ES Sharp® Microwave Drawer™ stays closed when you walk by, so children and pets won't accidentally open it.

The concealed, glass, Touch Control panel is easy-to-see and operate at a convenient 45° angle, keeping all of the controls at your fingertips when you need them, and completely out of sight when you don't. The modern, edge-to-edge, black glass and stainless steel design with bright, LED interior lighting and stylish floor pattern compliments your kitchen and pairs beautifully with other stainless steel appliances.



SHARP KITCHEN MOBILE APPLICATION keeps you in control.



EASY WAVE OPEN lends a helping hand, even if your hands are full.



GENEROUS 17" x 16" interior is perfect for platters, casseroles & serving bowls.



PEDESTAL ACCESSORY slides under the counter for hassle-free installs.

SHARP | Simply Better Living

24" IoT Microwave Drawer™

SMD2489ES



SPECIFICATIONS

FEATURES

| | |
|-------------------------|---|
| Finish | Stainless Steel, Black Glass |
| Drawer Opening | Mobile App, "Easy Wave Open" Motion Sensor or Open/Close Button |
| Width | 24" |
| Capacity (cu. ft.) | 1.2 |
| Output Power (watts) | 950 |
| Interior Light | LED |
| Timer/Settings | Yes |
| Open/Close | Yes |
| Start/+30 Sec | Yes |
| Stop/Clear | Yes |
| Power Level | 11 |
| Clock | Yes |
| Multi-Stage Cooking | 4 |
| Control Lock | Yes |
| Demo Mode | Yes |
| Microwave ON Indicator | Yes |
| End of Cooking Reminder | Yes |
| Auto Start | Yes |
| Standby Mode | Yes |

CONTROL PANEL

| | |
|------------------------|----------------------------------|
| Control Panel Location | Center/Top |
| Control Panel Type | Glass Touch, Drop-Down 45° Angle |
| Display Type | LCD |
| Display Color | White on Black Background |

COOKING / MENU PRESETS

| | |
|---------------------------|---|
| Popcorn | Sensor |
| Reheat | Sensor |
| Defrost Settings | Ground Meat, Steaks/Chops, Boneless Poultry, Bone-in Poultry, Roast, Casserole or Soup |
| Sensor Cook | Baked Potatoes, Sweet Potatoes, Fish/Seafood, Brown Rice, White Rice, Quick Fresh Vegetables, Longer Fresh Vegetables, Steamer Bags, Frozen Vegetables, Ground Meat, Frozen Entrées |
| Melt, Soft & Warm Options | Butter, Chocolate, Ice Cream, Cream Cheese, Syrup, Dessert Topping |
| Other Menus | Beverage Reheat, Hot Water, Hot Cereal |

ADDITIONAL FEATURES

| | |
|--------------------|------------------------------------|
| Mobile Application | Yes, available for iOS and Android |
| Voice Control | Yes, home assistant, not included. |
| WiFi Connectivity | Yes |
| Oven Floor | Patterned Glass |
| Flush Mount Ready | Yes, Vent Built into the Bottom |

OPTIONAL ACCESSORIES

| Product Name | Extension Kit for 30" Width |
|--------------|---------------------------------------|
| Model | SKMD30E9ES |
| Color | Stainless Steel with Black Glass |
| UPC | 074000621039 |
| Product Name | Drawer Pedestal |
| Model | SKMD24U0ES |
| Color | Stainless Steel or Custom Panel Ready |
| UPC | 074000620865 |

ADDITIONAL SPECIFICATIONS

| | |
|--------------|------------------------------|
| Power Source | 120V, 60Hz / 14.5A / 1.67 KW |
|--------------|------------------------------|

DIMENSIONS & WEIGHT (in./lbs.) (w x h x d)

| | |
|----------------------------------|------------------------------|
| Cavity Interior (w x h x d) | 17-5/16" x 7-1/8" x 16-9/16" |
| Product Dimensions | 23-5/8" x 16.0" x 23-7/16" |
| Shipping Dimensions | 29-1/4" x 21-1/2" x 27-7/8" |
| Product Weight / Shipping Weight | 74.0 lbs. / 85.8 lbs. |
| Standard Mount Cutout Dimensions | 22-1/8" x 15-9/16" x 23-1/2" |
| Flush Mount Cutout Dimensions | 23-7/8" x 16-1/4" x 23-1/2" |

WARRANTY/UPC

| | |
|----------------|----------------------|
| Parts | 1 year |
| Labor | 1 year |
| Magnetron Tube | 5 years (parts only) |
| UPC | 074000620896 |

Internal capacity calculated by measuring maximum width, depth and height. Actual capacity for holding food is less.

Product specifications and design are subject to change without notice.

© 2019 Sharp Electronics Corporation. All rights reserved.

Sharp, Microwave Drawer, Supersteam+, Healsio, Plasmacluster and all related trademarks are trademarks or registered trademarks of Sharp Corporation and/or its affiliated companies. All other trademarks are property of their respective owners.

QUESTIONS?

1.800.BE.SHARP

SIMPLY BETTER LIVING

At Sharp Home Electronics Company of America, we are committed to Simply Better Living. Our innovative home appliance products are SIMPLE to use, BETTER than the competition, and encourage a HEALTHY LIFESTYLE.

SHARP ELECTRONICS CORPORATION
100 Paragon Drive, Montvale NJ, 07645
1.800.237.4277 • www.sharpsusa.com



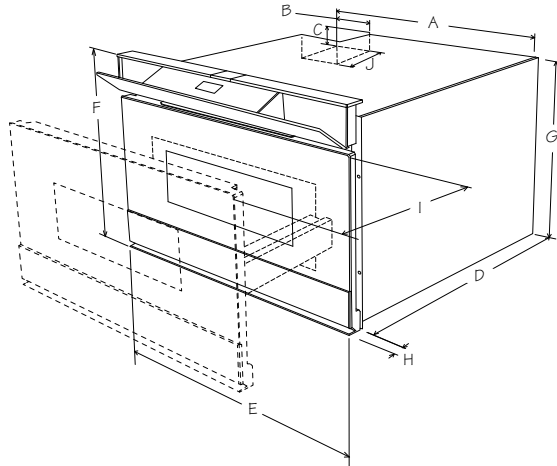
SHARP
Be Original.

SMD2489ES

The following are measurements only. Do not use to install microwave drawer.

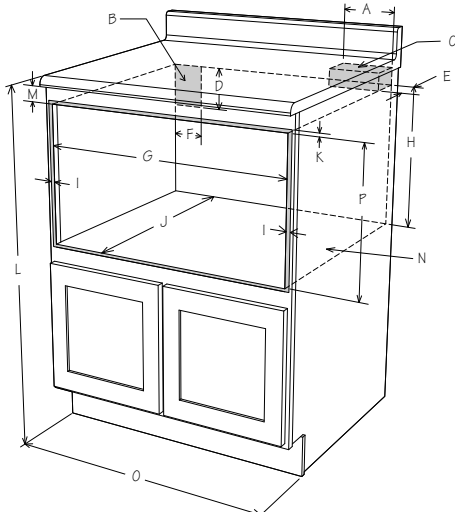
For detailed installation instructions, please refer to the installation manual

24" MICROWAVE DRAWER PRODUCT DIMENSIONS



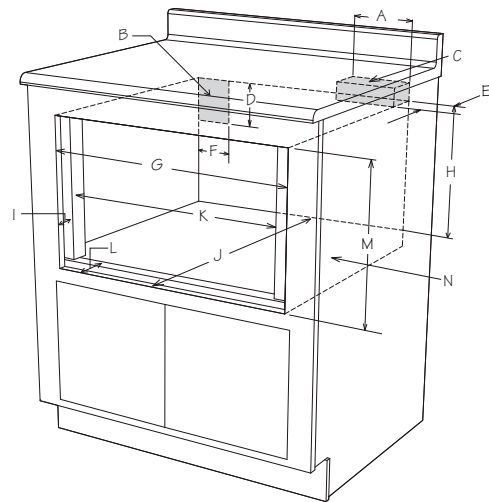
- A. 21-5/8" (549.28 mm)
- B. 4-11/16" (119.06 mm)
- C. 1-3/4" (44.45 mm)
- D. 21-7/8" (555.63 mm)
- E. 23-5/8" (600.07 mm)
- F. 16" (406.4 mm)
- G. 14-19/32" (370.68 mm)
- H. 1-17/32" (38.89 mm) door thickness
- I. 15" (381 mm) auto drawer opening
- J. 4" (101 mm)

24" MICROWAVE DRAWER STANDARD MOUNT MEASUREMENTS



- A. 6" (152.40 mm)
- B. Suggested electrical outlet location
- C. Anti-Tip block
- D. 5" (127 mm)
- E. 3-1/2" (88.90 mm)
- F. 4" (101.60 mm)
- G. 22-1/8" (561.97 mm) opening
- H. 14-13/16" (376.24 mm) to bottom of Anti-Tip block
- I. Allow 7/8" (22.22 mm) overlap
- J. 23-1/2" (596.90 mm) min. depth
- K. Allow 7/16" (11.11 mm) overlap
- L. 36" (914.40 mm) countertop height
- M. Allow 7/16" (11.11 mm) min. space
- N. Floor must support 100 lb/45.4 kg
- O. 24" (609.60 mm) cabinet min.
- P. 15-9/16" (395.29 mm) opening

24" MICROWAVE DRAWER FLUSH MOUNT MEASUREMENTS



- A. 6" (152.40 mm)
- B. Suggested electrical outlet location
- C. Anti-Tip block
- D. 5" (127 mm)
- E. 3-1/2" (88.90 mm)
- F. 4" (101.60 mm)
- G. 23-7/8" (606.43 mm)
- H. 14-13/16" (376.24 mm) to bottom of Anti-Tip block
- I. 1-17/32" (38.89 mm)
- J. 23-1/2" (596.90 mm) min. depth
- K. 22-1/8" (561.97 mm)
- L. 1-17/32" (38.89 mm) to front of shelf
- M. 16-1/4" (412.75 mm) opening
- N. Floor must support 100 lb (45.4 kg)

QUESTIONS?

1.800.BE.SHARP

SIMPLY BETTER LIVING

At Sharp Home Electronics Company of America, we are committed to Simply Better Living. Our innovative home appliance products are SIMPLE to use, BETTER than the competition, and encourage a HEALTHY LIFESTYLE.