

A (4)



M6X80 mm

B (2)



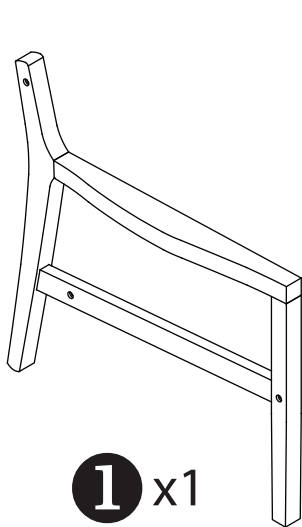
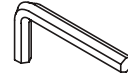
M6X60 mm

C (8)

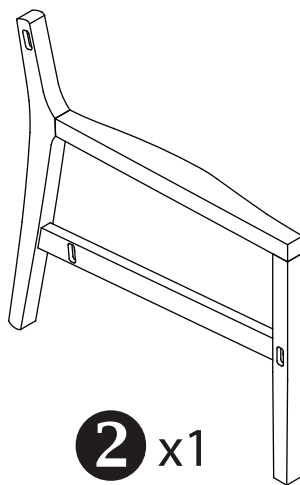


M4X30 mm

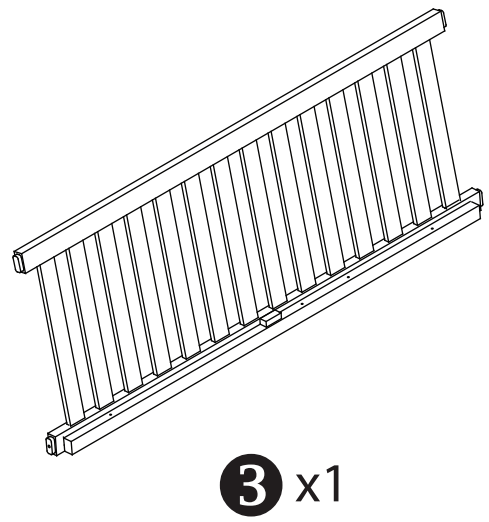
D (1)



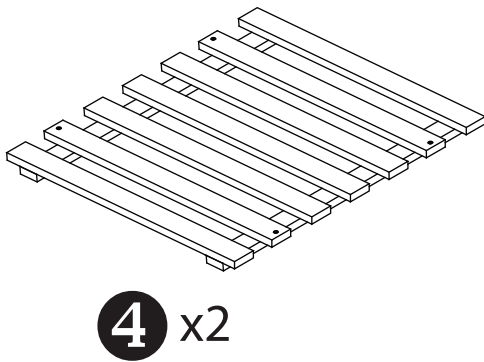
1 x1



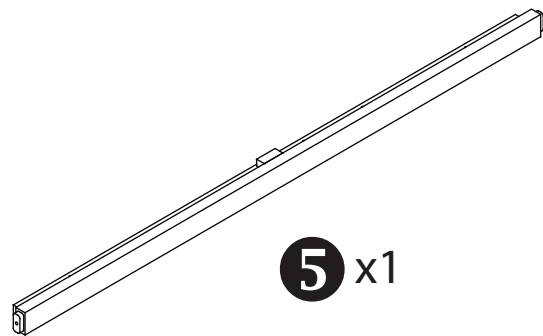
2 x1



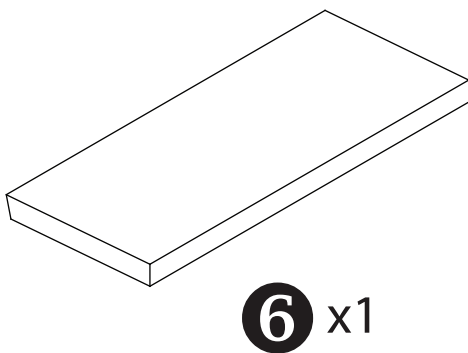
3 x1



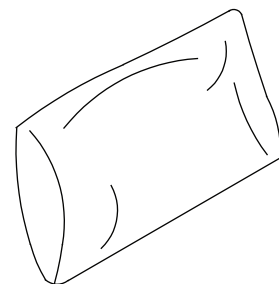
4 x2



5 x1

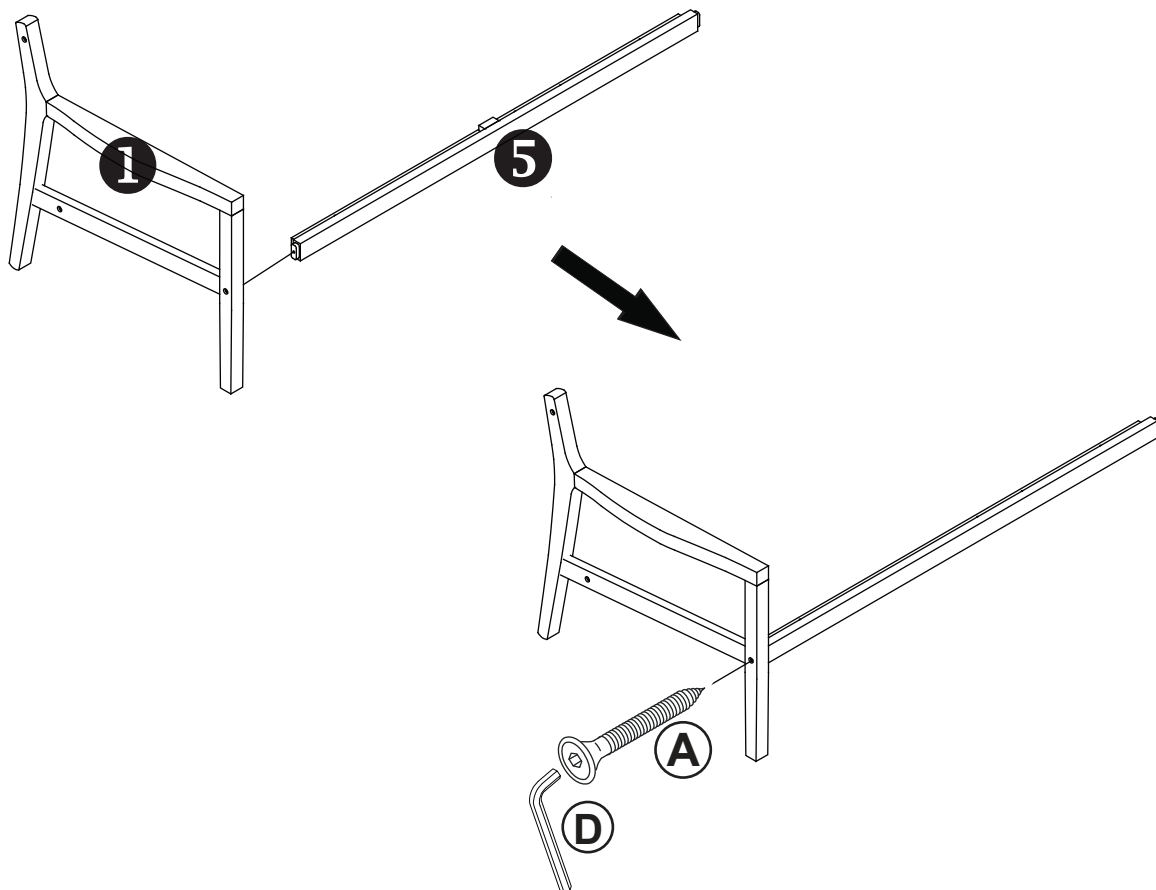


6 x1

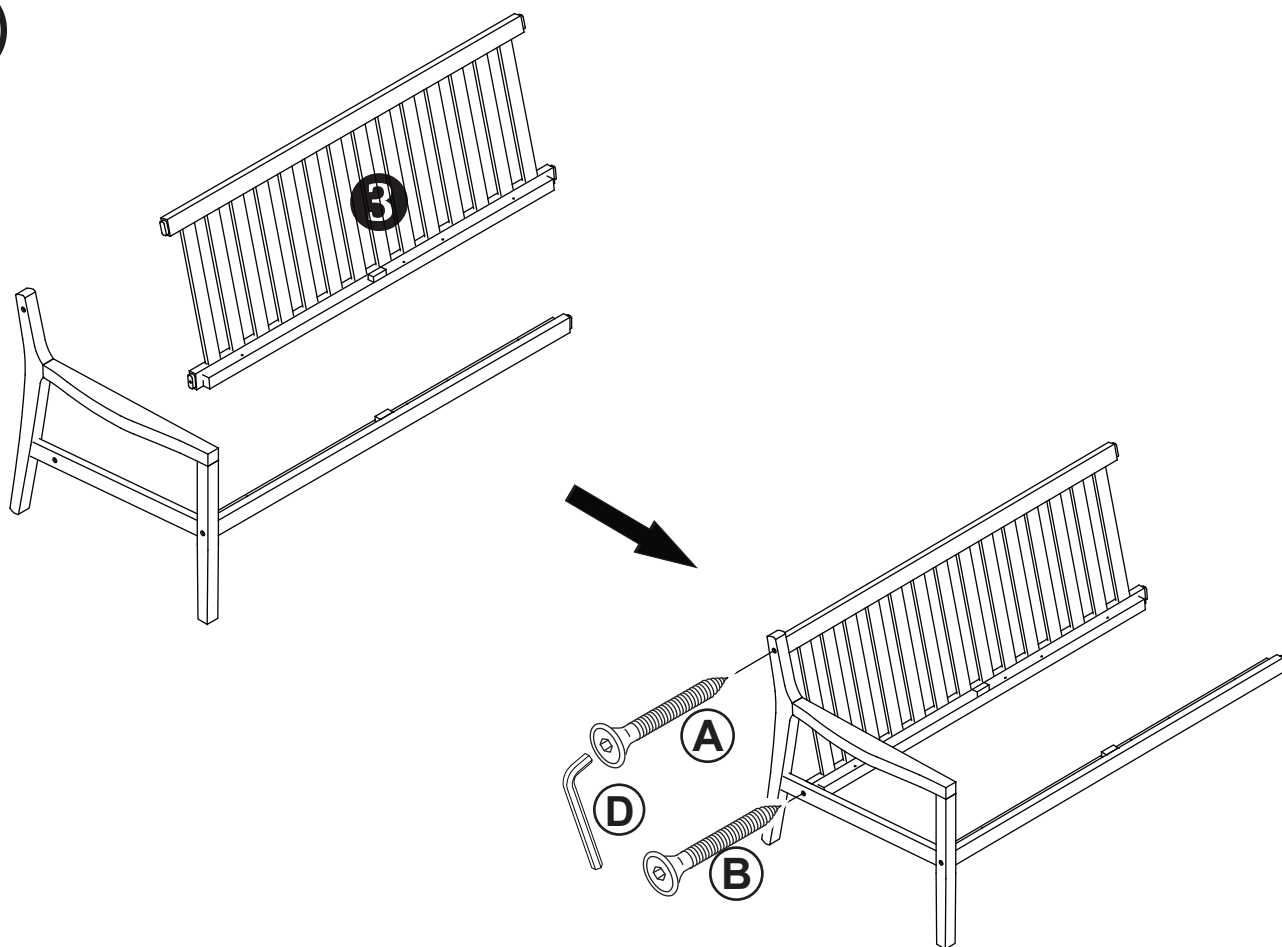


7 x2

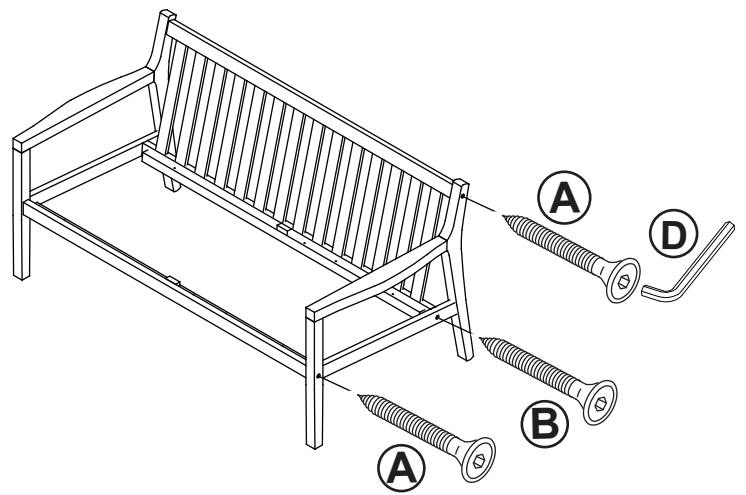
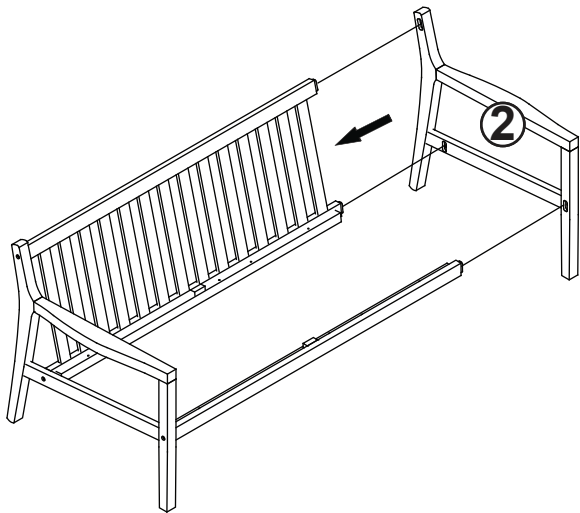
①



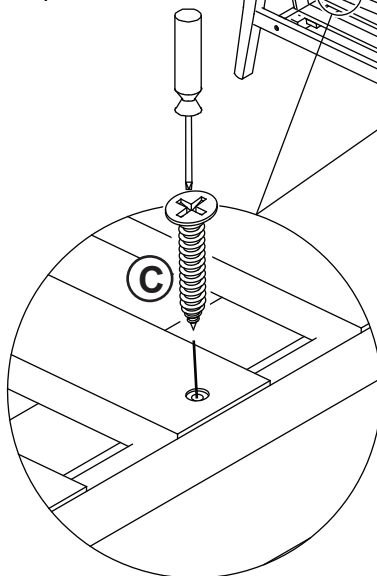
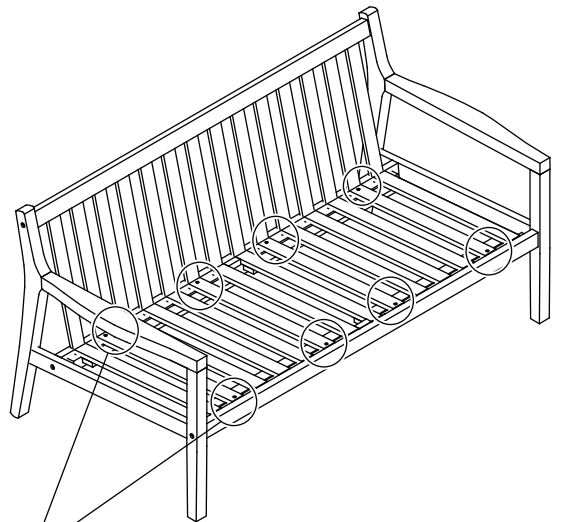
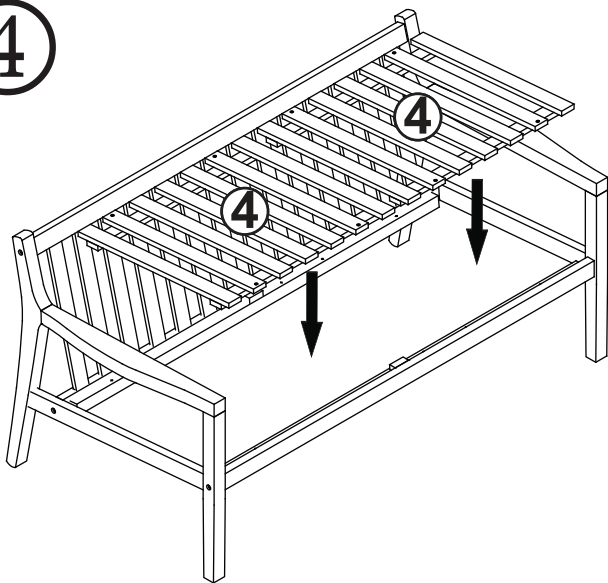
②



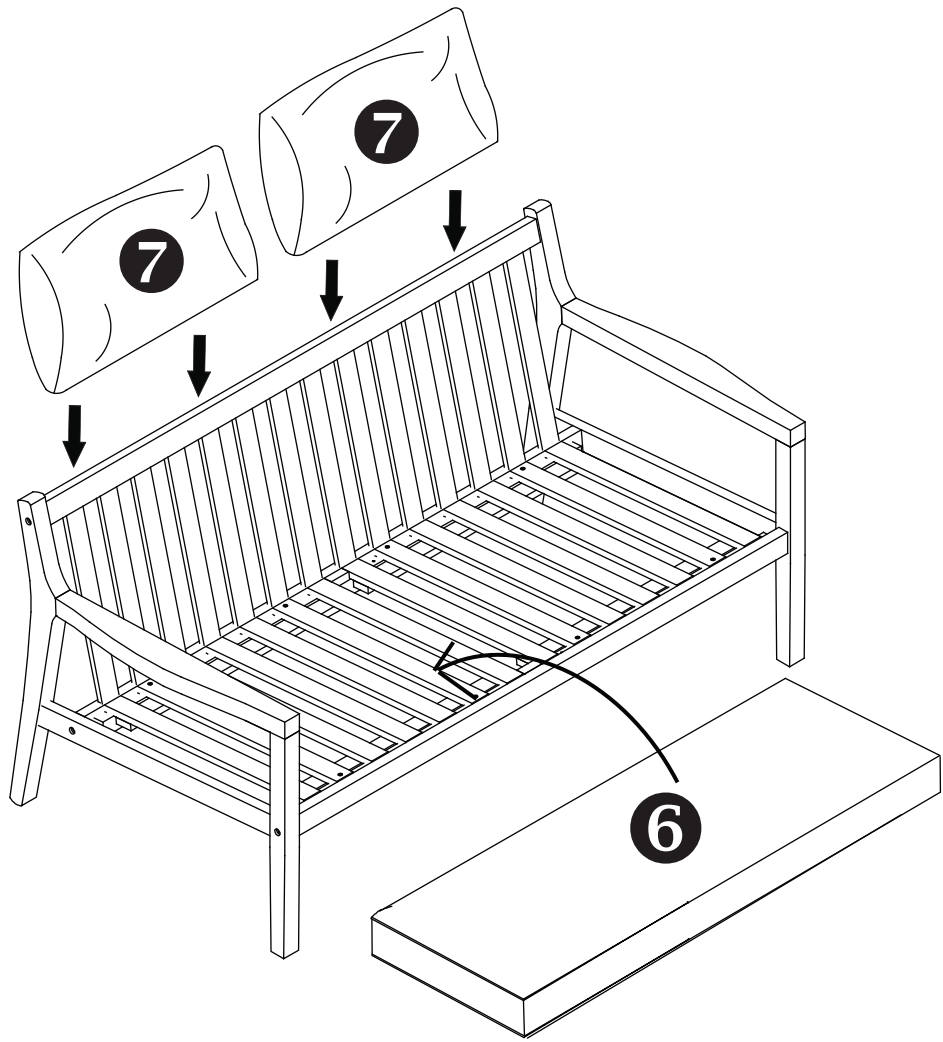
3



4



5



6

