

dacor[®]

Installation Instructions

Built-In Wine Cellar

DRW24980RAP/LAP

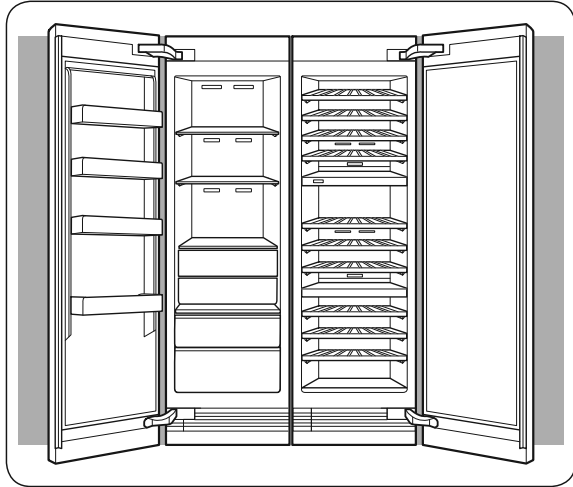
Contents

Before You Begin	4
Important	4
Customer-Service Information	5
If You Need Help	5
Important Safety Instructions	6
State of California Proposition 65 Warning (US only)	6
General Safety Precautions	7
Safety and Warning Information	11
Installation Safety	11
Installation Specifications	13
Installation Options	14
Product Specifications	16
Custom Panel Specifications	17
Handle Specifications	18
Installation	20
Installation Requirements	21
Installation Preparation	21
Grounding the Wine Cellar	24
Cabinet Special Requirements	25

Installation Instructions	26
1. Uncrating the Wine Cellar	26
2. Moving the Wine Cellar	27
3. Installation Preparation	28
4. Attaching the Anti-tip-Bracket	28
5. Removing Upper Door Cover, Kickplate	31
6. Attaching Insulators on the Side of the Wine Cellar	
- Single Installation	34
7. Attaching insulators on the side of the freezer or fridge or Wine Cellar	
- Side-by-side (Pair) Installation	35
8. Connecting the Two Chassis	38
9. Adjusting the door Opening Angle	39
10. Moving the Wine Cellar Into Its Enclosure	40
11. Removing Two Levers	42
12. Leveling the Wine Cellar	43
13. Attaching Two Levers	45
14. Attaching the Wine Cellar's Top Cover	46
15. Securing the Wine Cellar	47
16. Attaching the Custom-Door-Panel Brackets	48
17. Hanging a Custom Panel	50
18. Preparing the Panel for Adjustment	51
19. Aligning the Panel	52
20. Attaching the Door's Interior Covers	56
21. Attaching Grill, Kickplate and Toe Kickplate (optional)	59
22. Attaching the Wine Cellar Trim	61
23. Attaching Trim Top Cover	62
24. Assembling the Wine Rack	63
25. Disassembling the Wine Rack	66
26. Adjusting the Door Spring	67
27. Cleaning	67
28. Installation Checklist	68

Before You Begin

Important



- The overall design and/or accessories may differ with the model.

Installer

- To promote safety and minimize problems, read this manual thoroughly before starting the installation. Leave this manual with the user.
- Write the appliance's model/serial numbers in this manual for service/maintenance reference.
- Model/serial numbers are on the data label in the Wine Cellar compartment.

User

- Keep this manual for personal reference and for that of inspectors, service personnel, etc.

SAVE THESE INSTRUCTIONS

Customer-Service Information

If You Need Help

If you have questions or problems with installation, contact your Dacor® dealer or the Dacor Customer Assurance Team. If your Dacor appliance is under warranty, call Dacor Distinctive Service. Have the appliance's model/serial numbers available when you call. (These numbers are on the data label on the right-hand door jamb inside the wine cellar.)

Dacor Customer Assurance

Phone: 833-35-ELITE (833-353-5483) USA, Canada

Mon - Fri 5:00 a.m. to 5:00 p.m. Pacific Time

Website: www.dacor.com/customer-care/contact-us

Product Information: knowledgebase.dacor.com

All specifications are subject to change without notice. Dacor assumes no liability for changes to specifications.

© 2017 Dacor, all rights reserved.

SAVE THESE INSTRUCTIONS

Important Safety Instructions

The Important safety instructions and warnings in these instructions are not meant to cover all possible problems and conditions that can occur.

Use common sense and caution when installing, maintaining, or operating this or any other appliance.

Always contact the Dacor Customer Assurance Team about problems and conditions that you don't understand. See **Customer-Service Information**.

Safety symbols and labels

These alerts are meant to bring attention to important areas in the manual.

Whenever you see these symbols or labels, read the message carefully before continuing.

DANGER

Immediate hazards that **WILL** cause severe personal injury or death.

WARNING

Hazards or unsafe practices that **MAY** cause in severe personal injury or death.

CAUTION

Hazards or unsafe practices that **MAY** cause in minor personal injury or property damage.

State of California Proposition 65 Warning (US only)

WARNING : This product contains chemicals known to the State of California to cause cancer and birth defects or other reproductive harm.

SAVE THESE INSTRUCTIONS

WARNING - R600a Refrigerant

This appliance contains isobutane refrigerant, R600a, a natural gas with high environmental compatibility; however, it is also flammable. Please adhere to the warnings below

- When handling, installing and operating the appliance, care should be taken to avoid damage to the refrigerant tubing.
- Servicing shall be performed by manufacture-authorized service personnel and component parts shall be replaced with manufacturer-authorized replacement components.
- Refrigeration products contain refrigerants, which under federal law must be removed prior to product disposal.
- Keep ventilation openings in the appliance enclosures or in the built-in structure clear of obstruction.
- In order to avoid the creation of a flammable gas-air mixture if a leak in the refrigerating circuit occurs, the size of the room in which the appliance may be sited depends on the amount of refrigerant used. The room must be 35.3 ft³ in size for every 8 g of R-600a refrigerant inside the appliance.
- The installation location should not be exposed to direct sunlight and avoid placing near any electric appliances or heat source, e.g. stove, cooktop, oven, or radiator, etc.
- If you use two products side by side, for safety reason, be sure to use certified products in explosive gas atmospheres.
- Do not use mechanical devices or other means to accelerate the defrosting process.
- Do not damage the refrigerant circuit.
- Do not use electrical appliances inside the food storage compartment of the appliance.

General Safety Precautions

DANGER

IMPORTANT:

To prevent child entrapment and suffocation when discarding an old appliance:

- Take off the door(s).
- Leave the racks in place so children cannot easily climb inside.
- Cut the prongs off the power plug and discard them.
- Cut the power cable off and discard it separately from the old appliance.

SAVE THESE INSTRUCTIONS

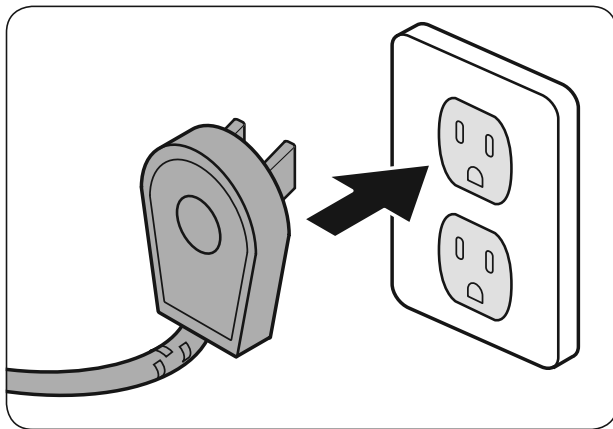
Important Safety Instructions

To avoid the possibility of explosion or fire, do not store or use combustible, flammable or explosive vapors and liquids (such as gasoline) inside or in the vicinity of this or any other appliance. Also keep items that could explode, such as aerosol cans away from cooktop burners, ovens and range hoods. Do not store flammable or explosive materials in adjacent cabinets or areas.

WARNING

IMPORTANT: This appliance is equipped with a three-prong grounding electric plug for protection against possible electric shock hazards. It must be plugged into a dedicated, grounded, electrical outlet. If only a two-prong electrical outlet is available, it is the responsibility of the customer to have it replaced with a dedicated, properly grounded three-prong electrical outlet.

- Do not kink or pinch the power supply cord of the appliance.
- Never unplug the appliance by pulling on the power cord.
- Always grip the plug firmly and pull straight out from the electrical outlet.
- Disconnect this appliance when not in use.
- Do not install, repair, modify, or replace any part of the appliance unless specifically recommended in the literature accompanying it.
- A qualified service technician should perform all other services.



DO NOT cut or remove the third (ground) prong from the power cord.

DO NOT use an adapter plug.

DO NOT use a power cord that is frayed or damaged.

DO NOT connect the appliance to an extension cord. Keep the power cord away from heated surfaces.

NOTE

- Use of an electrical outlet with a ground.
- Use of an electrical outlet with a ground fault interrupter (GFI) is not recommended.

SAVE THESE INSTRUCTIONS

WARNING

- To reduce the risk of fire, electric shock, serious injury or death when using your appliance, follow basic safety precautions, including the following:
- If you receive a damaged product, immediately contact your dealer or builder. Do not install or use a damaged appliance.
- Make sure that this appliance has been properly installed according to these installation instructions.
- Make sure to install in outlet locations according to electric supply location.
- Refrigeration equipment and refrigerants must be properly disposed of in a professional and appropriate way, in accordance with the current local regulations and laws which protect the environment. This applies to your old appliance and to your new unit once it has reached the end of its service life. DO NOT dispose of the appliance in a landfill or with urban waste. Contact local waste disposal centers for information on how to dispose of recyclable waste.
- Take care when handling, moving, using or disposing of the appliance to avoid damaging the refrigeration system.
- Do not install or use outdoors or in wet conditions. This appliance is not designed for installation in a recreational vehicle or boat.
- Keep packaging materials away from children. Plastic sheets and bags can cause suffocation.
- Connect this appliance to a 115 V, 15 A. circuit that is controlled by a circuit breaker or fuse. This appliance should have its own separate grounded circuit.
- Do not kink or pinch the power supply cord of the appliance. Never unplug the appliance by pulling on the power cord. Always grip the plug firmly and pull straight out from the electrical outlet.
- Disconnect this appliance when not in use.
- Do not install, repair, modify, or replace any part of the appliance unless specifically recommended in the literature accompanying it. A qualified service technician should perform all other services.
- Before performing any type of service, switch power off at the circuit breaker panel.
- This appliance is not intended for use by persons (including children) with reduced physical, sensory abilities, or lack of experience and knowledge, unless they are properly supervised by a person responsible for their safety. Children must be supervised for their safety.
- Never allow anyone, including children to sit, stand or climb on any part of the appliance, including the door. Doing so may cause damage, serious injury or death.

SAVE THESE INSTRUCTIONS

Important Safety Instructions

- If the power cord is damaged, it must be replaced by the manufacturer or a qualified service technician in order to avoid a safety hazard. Do not tamper with the controls.
- Clean this appliance regularly as instructed in the Care and Cleaning section of the User manual.
- Do not use any type of electrical equipment inside the wine cellar compartments.
- Do not obstruct any of the vents or openings on the appliance.
- To avoid risk of the appliance tipping over it is mandatory to secure the appliance to the wall by means of the two supplied anti-tip brackets.
- Use this appliance only for its intended purpose: the storage of food and beverages. It is not intended for commercial or industrial use.
- Use extra caution when installing electrical component box, for damage to this box may cause shock, personal injury and/or damage to property and surroundings.
- Hold the handle when opening and closing the door.
- When you open and close the door, be careful not to put your hands in the doorway.

SAVE THESE INSTRUCTIONS

Safety and Warning Information

Installation Safety

WARNING

- Before installing the wine cellar, connect it to a power outlet and turn the wine cellar ON to make sure the wine cellar is working.
- Choose a location away from a heater, boiler, or direct sunlight.
- Install the unit where air flows freely and where the wine cellar is well ventilated.
- Install the unit so that air flows unobstructed through the front air grill. If the air circulation is not ensured, it may interfere with the normal functioning of the product.
- Outside animals (rodents) can chew on the power cord and cause a fire; therefore, install the unit where there is no access to animals.
- If the cabinet is made of soft material (ex: plaster, etc.), it can have a weak structure and be damaged. Therefore, use a cabinet made of sturdy, strong material.
- Install the wine cellar with a team of at least 2 people.
- Refer to the dimensions of the cabinet and prepare the cabinet with good air circulation.
- Use cabinet that will not warp from product heat emissions or humidity from the opening and closing of the wine cellar.

NOTE

This wine cellar is a “built-in” style wine cellar, meaning that the wine cellar requires installation inside a recess in existing kitchen cabinetry.

Before moving the wine cellar, clear the route to the location where it will be installed.

Check all product dimensions and the tipping radius with any doorways, hallways, stairs, corners, etc., to ensure a clear passageway.

WARNING



Tip Hazard

This appliance is relatively heavy on the top and prone to tip over when not securely installed.

Keep doors taped closed until wine cellar is in its final position and ready to be secured in place.

Use two or more people to move and install wine cellar.

Failure to do so can result in death or serious injury.

Safety and Warning Information

 **DANGER**



Explosion Risk

Keep flammable materials and vapors - such as gasoline - away from the wine cellar.
Failure to do so can result in death, explosion, or fire.

Installation Specifications

WARNING

Observe all governing codes and ordinances during planning and installation. Contact your local building department for further information.

WARNING

Electrical and grounding connections must comply with the applicable portions of the national electrical code and/or other local electrical codes.

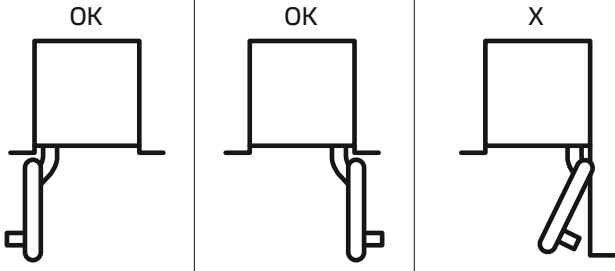
This appliance comes with an electrical cord with a three-prong grounding plug for a 115 Vac, 15 Amp. power supply. Plug it into a 115 Vac, three-prong, grounding electrical outlet only.

The appliance features a lighting system with high intensity LED lamps. Do not stare into these lamps when they are on to avoid possible eyesight damage.

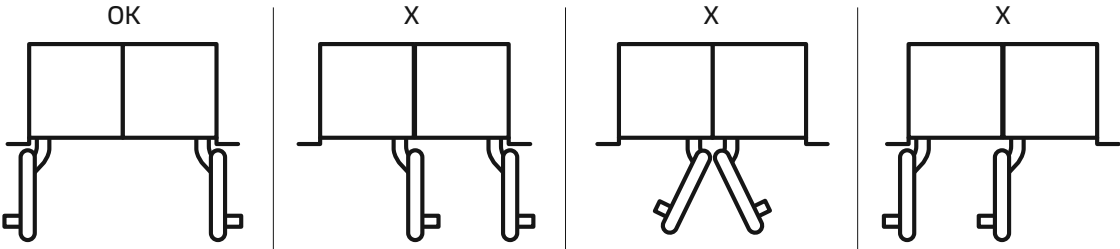
Installation Options

There are many different installation options.
These are limited only by the design of the kitchen.

Individual appliance



Side-by-Side (Pair)



Individual appliances with partition

NOTE

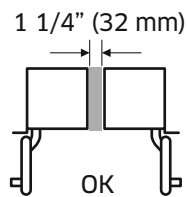
- The minimum thickness of the partition is 1 1/4" (32 mm).
- At 1 1/4" (32 mm), the door swings must open towards as case 1.
- At more than 1 9/16" (40 mm), the door swing can open same direction and door open angle is 90 degree as case 2.

At more than 7 7/8" (200 mm), the door swing can open toward each other and door open angle is 90 degree as case 3.

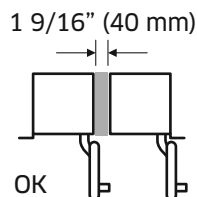
For this installation option it is recommend to install the 90 degree door stop. In order to minimize the partition thickness.

If a 115 degree door opening angle is desired, Distance of "F" (16 page) for a partition thickness is recommended.

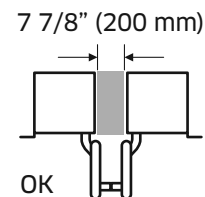
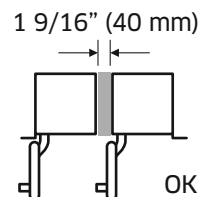
- Partition thickness is dependent on handle depth. Dimension above is acceptable for Dacor handles.



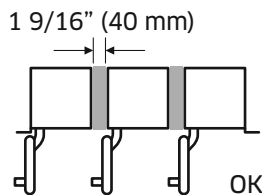
Case 1



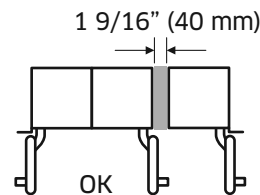
Case 2



Case 3

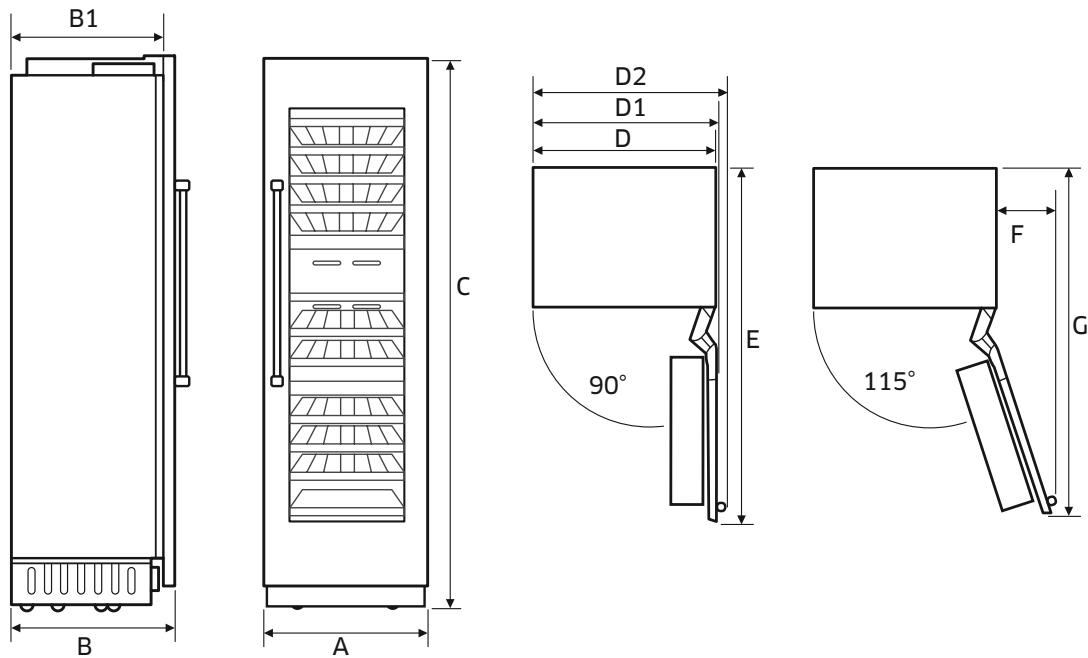


All doors swings are recommended to be on the same side.



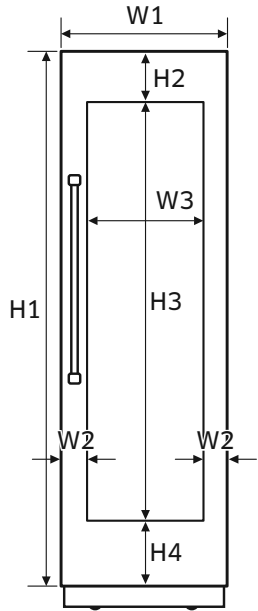
The door swing of the individual column must open the same way as the door swing of the side-by-side.

Product Specifications



Callout	24"
A	23 3/4" (603 mm)
B (With Panel)	25" (635 mm)
B1 (Without Panel)	23 13/16" (605 mm)
C	83 3/8" (2118 mm)
D	23 5/8" (600 mm)
D1	24 7/8" (631 mm)
D2	27 9/16" (701 mm)
E	50 3/4" (1289 mm)
F	13 11/16" (348 mm)
G	49 11/16" (1261 mm)

Custom Panel Specifications



Callout	24"
W1	23 3/4" (603 mm)
W2	3 9/32" (83.5 mm)
W3	17 5/32" (436 mm)
H1	79 7/8" (2029 mm)
H2	7 23/32" (196 mm)
H3	62 25/32" (1594.5 mm)
H4	9 3/8" (238.5 mm)
Panel Thickness	3/4" (19 mm)
Max Weight	55.0 lb (25 kg)

Do not exceed the max load that the custom panel can endure. Before crafting the panel, check the strength of the panel's material and the load of attachments to the panel.

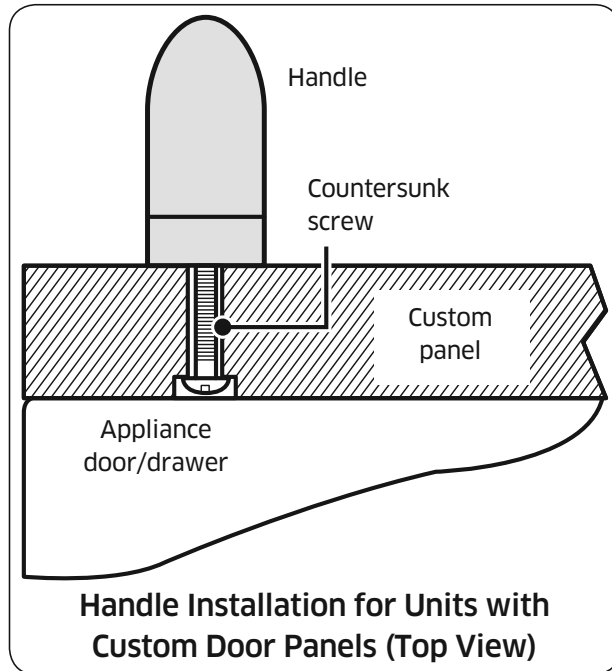
	24"
Custom Panel Maximum Weight	55.0 lb (25 kg)

NOTE

- Standard Custom panel thickness is 3/4" (19 mm).

Product Specifications

Handle Specifications



Before installing the custom panels, you must first install the door/drawer handles. With custom panel models, you have the advantage of being able to select a handle style that meets your own personal taste. Handles are not provided with custom panel models. Selected handle kits are available through your Dacor dealer. Dacor does not advise the use of single pull knobs.

The panel craftsman needs to select and purchase the required fasteners for the installation. The screw heads must be countersunk into the panel to prevent interference during depth adjustment.

CAUTION

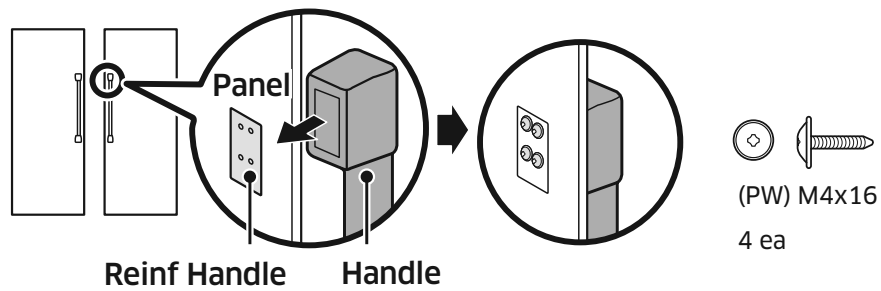
We recommend installing a handle for a custom panel. Without the handle, you may catch your fingers in the door when opening or closing the door.

Attach the Dacor Handle

WARNING

Follow these instructions to attach the Dacor handle. Otherwise, the handle may be damaged or malfunction.

1. Put the reinforced handle support on the rear of the door panel, and then put the handle on the front of the door panel.
2. As shown, tighten the 4 screws on each of the upper and the lower sides of the handle. Do not tighten them excessively.



Installation

WARNING

Do not install the appliance:

- outdoors,
- in an environment with dripping water.

Appliance is very heavy :

Wine Cellar 24" approx. 397 lb / 180 kg

Installation room

The appliance should be installed in a dry, ventilated room.

Secure installation

The appliance is very heavy and has a tendency to tilt forwards when the appliance door is opened.

Do not open the door until there is no possibility of the appliance tipping over.

The most secure way to install the appliance is to use the supplied anti-tipping devices.

Floor

The subsurface must be level and even in order to ensure that the appliance is securely installed and works correctly.

The subsurface must be made from a hard, non-flexible material to cover the weight of appliance.

Aligning the appliance

To ensure that the appliance functions correctly, it must be levelled properly.

Glass door

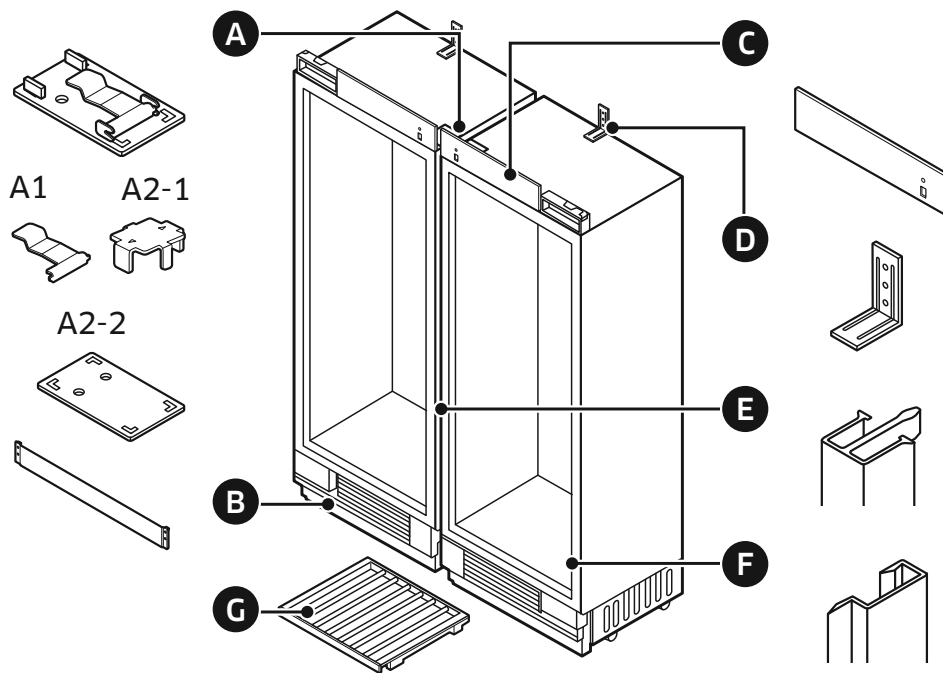
When moving or installing the appliance, be careful not to damage the glass door.

Installation Requirements

Installation Preparation

Cabinet installation parts

Using the table on next page, verify that all installation parts are present as you unpack the appliance.



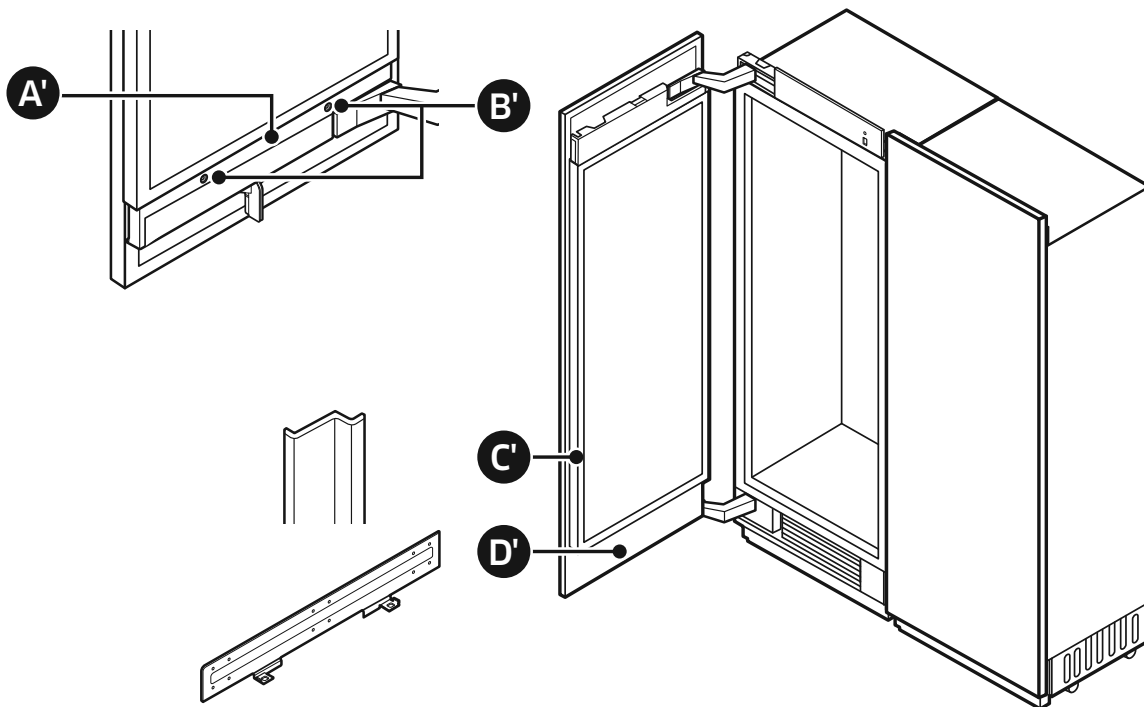
Check the installation parts when unpacking.

PARTS		SINGLE-INSTALLATION	PAIR-INSTALLATION	
A	A1	LEVER	-	2
	A2-1	LOWER BRACKET	-	1
	A2-2	UPPER BRACKET	-	1
B	KICKPLATE	1	2	
C	Wine Cellar Top Cover	1	2	
D	ANTI-TIP BRACKET	18", 24", 30" : 1 36" : 2	18", 24", 30" : 2 36" : 4	
E	CENTER TRIM	-	1	
F	CABINET SIDE TRIM	2	2	
G	Wine Rack	10	20	

Installation Requirements

Door installation parts











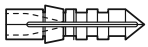
Using the table below, verify that all door-installation parts are present as you unpack the appliance.




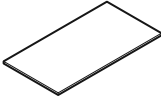
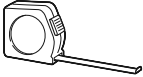


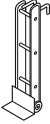
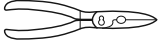
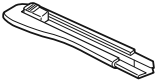




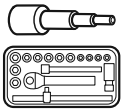

Check the installation parts when unpacking.

PARTS		SINGLE-INSTALLATION	PAIR-INSTALLATION
A'	LOWER DOOR CAP	1	2
B'	CAP	2	4
C'	DOOR SIDE TRIM	2	4
D'	PANEL BRACKET	2	4

Screw and Nut

 	M6x12	12 ea	 	(FH) M4x14	22 ea
 	(TH) M4x16	24 ea	 	M4x35	3 ea
 	M13	2 ea		∅6x30	3 ea

Tools required

No.	Tool		No.	Tool	
1		Electric Screwdriver	8		Protective Floor Mat
2		Measuring Tape	9		Stepladder
3		Flat/Slot Head Screwdriver	10		Appliance Dolly
4		Cutter (Scissors)	11		Cutter
5		Adjustable Wrench	12		Level
6		Phillips Head Screwdriver	13		Star Head Screwdriver
7		Ratchet 3/8" (10 mm), 1/2" (13 mm)	14		Combination Wrench 3/8" (10 mm), 1/2" (13 mm)

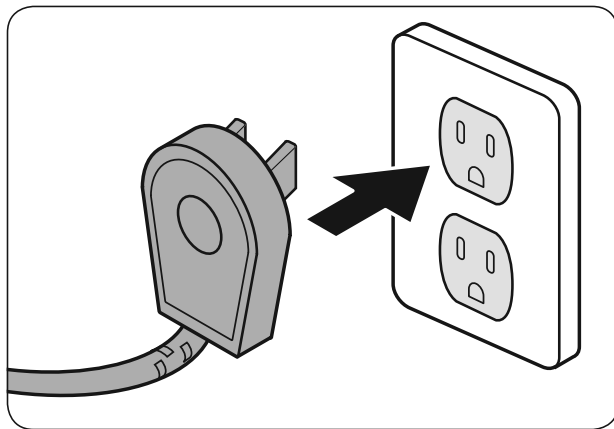
Installation Requirements

Grounding the Wine Cellar

CAUTION

Electrical and grounding connections must comply with the applicable portions of the national electrical code and/or other local electrical codes.

This appliance comes with an electrical cord with a three-prong grounding plug for a 115 Vac, 15 Amp. power supply. Plug it into a 115 Vac, three-prong, grounding electrical outlet only.



DO NOT, UNDER ANY CIRCUMSTANCES, CUT OR REMOVE THE THIRD (GROUND) PRONG FROM THE POWER CORD.

DO NOT USE AN ADAPTER PLUG TO CONNECT THE WINE CELLAR TO A 2-PRONG OUTLET.

DO NOT USE AN EXTENSION CORD WITH THIS APPLIANCE.

WARNING



Electric Shock Hazard

Plug into a grounded, dedicated 3-prong outlet.

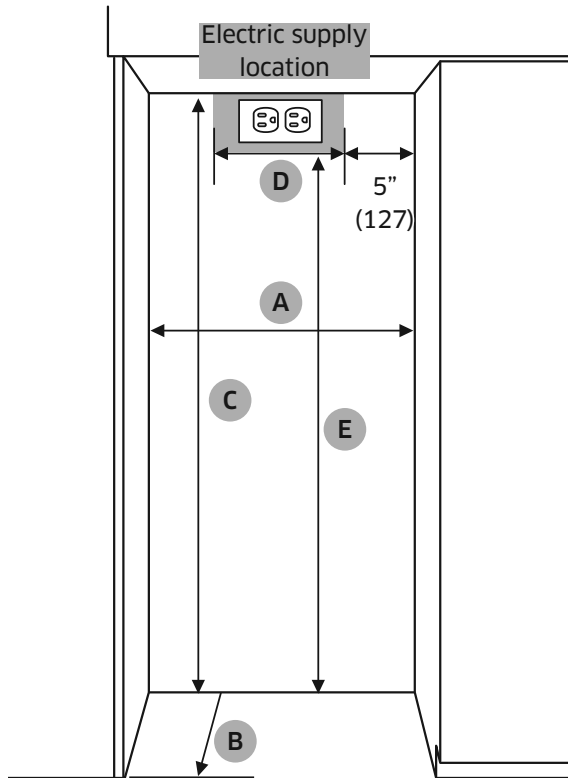
Do not remove the ground prong.

Do not use an adapter.

Do not use an extension cord.

Failure to follow these instructions can result in death, fire, or electric shock.

Cabinet Special Requirements



- A : Cabinet Width
- B : Cabinet Depth
- C : Cabinet Height
- D : Electrical supply width location
- E : Electrical supply height location

Callout	24"
A	24" (610 mm)
B	25" (635 mm)
C	84" (2134 mm)
D	14" (356 mm)
E	80" (2032 mm)

- B : Includes the standard door panel thickness with 3/4".
- Installation inside a cabinet of this width allows the wine cellar trim to be attached directly to the surrounding cabinets.

Installation Instructions

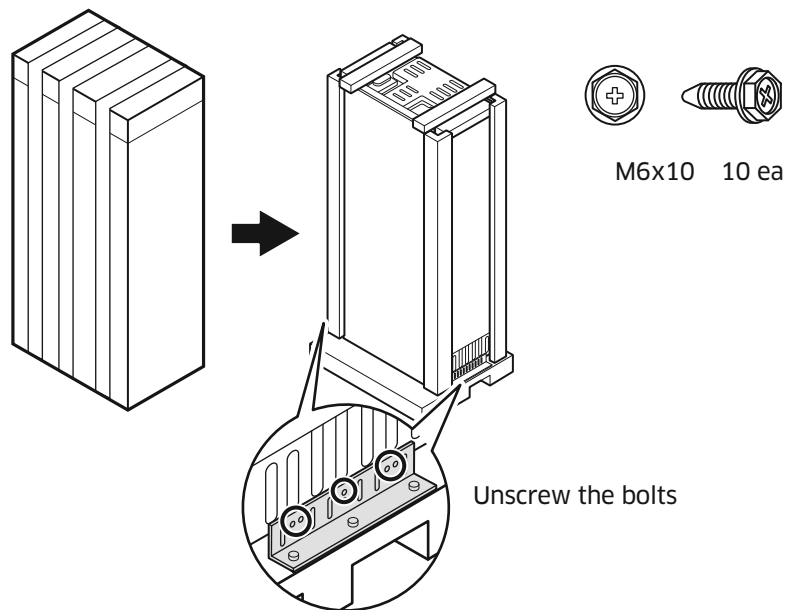
1. Uncrating the Wine Cellar

Check the appliance for transit damage.

Do not install the appliance if it is visibly damaged.

If in doubt, contact your dealer.

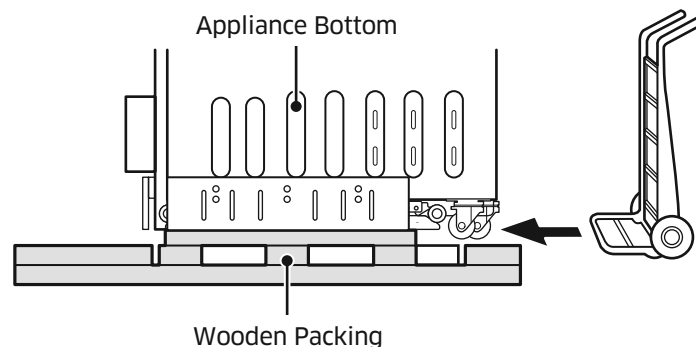
1. Remove the PP-banding, cardboard crate, EPS, and Pe-bag.
2. Remove the brackets from the pallet by unscrewing the bolts (five per bracket).



CAUTION

Use caution not to damage the appliance when unloading it from the pallet.

3. As shown, insert the hand truck between the appliance and the wooden packing. While tilting the appliance up to the rear, unload it from the wooden packing.



2. Moving the Wine Cellar

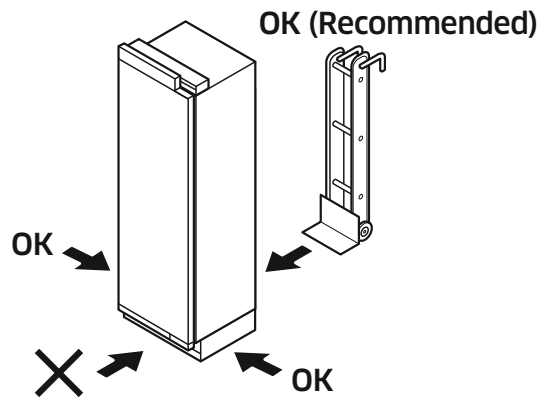
WARNING

The appliance is very heavy. When moving the Wine Cellar, all personnel must take care not to injure themselves or the appliance.

1. Secure the wine cellar to a suitable means of transport (preferably an appliance dolly), and move the wine cellar near its installation cabinet.
 2. Move and install with a minimum of two persons.
 3. Be very careful to avoid floor damage. Delicate flooring should be protected with plywood, hard cardboard, or similar material.
 4. Before moving the wine cellar, verify that it will fit through all door openings, stairwells, and overhead obstructions.
- **TIPPING HAZARD:** The wine cellar is large, heavy, and tips easily when not secured. Always move the wine cellar in an upright position if possible. If not, move the wine cellar on its back. Secure the doors shut during transport.

WARNING

Be careful that electrical component box is not damaged when installing.



Installation Instructions

3. Installation Preparation

Unpack installation materials and accessories.

See the Installation preparation section on Installation Requirement chapter.

4. Attaching the Anti-tip-Bracket

WARNING

To keep the unit from tipping forward, an anti-tip bracket must be installed. Before attaching the bracket, ensure that no electrical wiring or plumbing is in the area where the screws will penetrate. One such bracket per appliance is required.

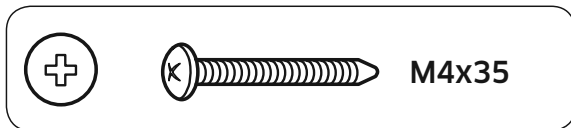
CAUTION

Always wear safety glasses and other necessary protective devices or apparel when installing or working with anchors.

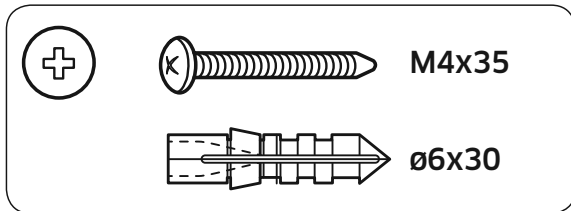
Dacor does not recommend that you anchor the anti-tip bracket in light-weight masonry (e.g., block, brick) or in new, uncured concrete.

Make sure the wall or the cabinet that the brackets are studded in has enough strength to withstand the safety load.

Wooden Wall



Concrete Wall



1. Bracket height is measured from the floor and depends on the cabinet height.

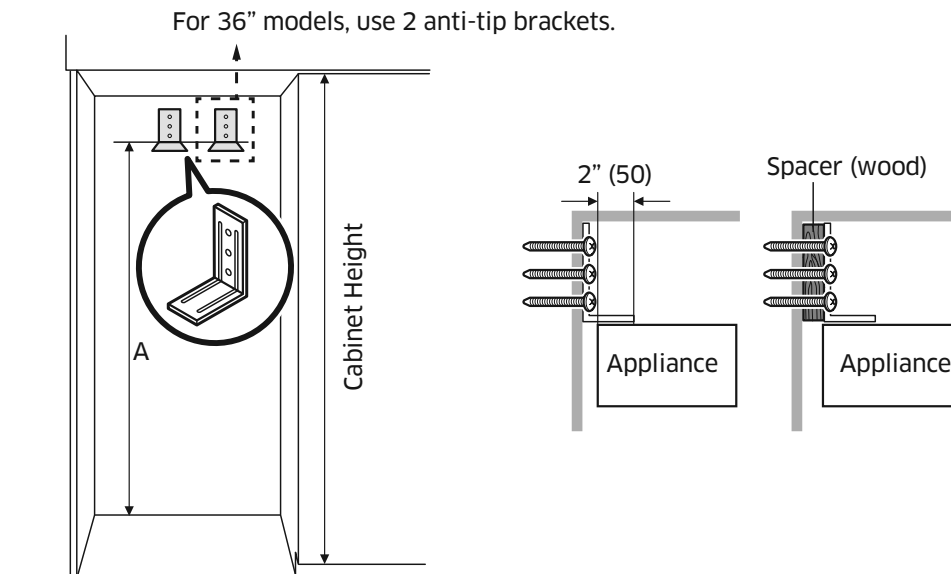
NOTE

Bracket height





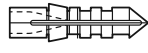
= Cabinet height - 4 3/32" (104 mm)

2. Attach the anti-tip brackets. Ensure the screws hold the bracket tightly.

The anti-tip brackets must extend at least 2" (50 mm) over the appliance to secure the appliance. If this minimum length cannot be observed for structural conditions it is possible to do this by fastening a spacer (wood) behind the anti-tip angle.



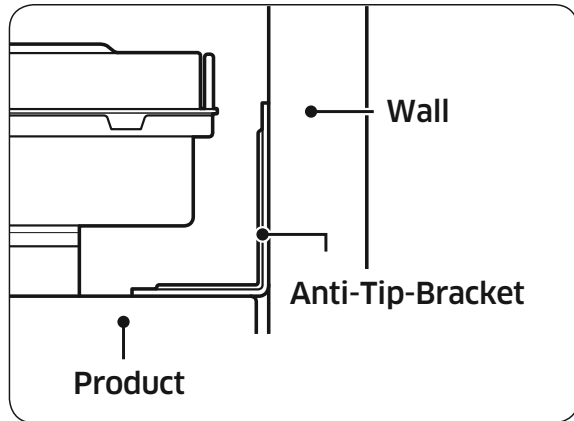
Option	Cabinet height	A
1	83 1/2" (2121 mm)	79 13/32" (2017 mm)
2	83 3/4" (2127 mm)	79 5/8" (2023 mm)
3	84" (2134 mm)	79 7/8" (2030 mm)
4	84 1/4" (2140 mm)	80 1/8" (2036 mm)

		24"
ANTI-TIP BRACKET		1 ea
wooden wall	  M4x35	3 ea
concrete wall	  M4x35	3 ea
	 ø6x30 (HOLDER LOCK)	3 ea

- 3 screws/holder locks per bracket.

Installation Instructions

Anti-tip bracket considerations

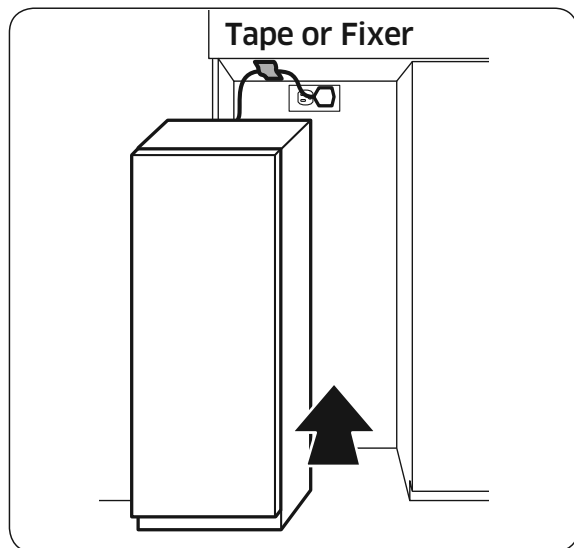


1. Bracket positioning: follow the cabinet-specific height table.
2. Screws: Tighten all 3 screws on the brackets.
3. Push the product up against the rear wall of the cabinet.
4. Spacer: If using the spacer, you must follow the positioning specifications of the bracket (see the table above).

CAUTION

- The height of the spacer must be calculated based on the depth of the cabinet.
- The spacer must be fixed separately from the cabinet.

When installing the product into the cabinet

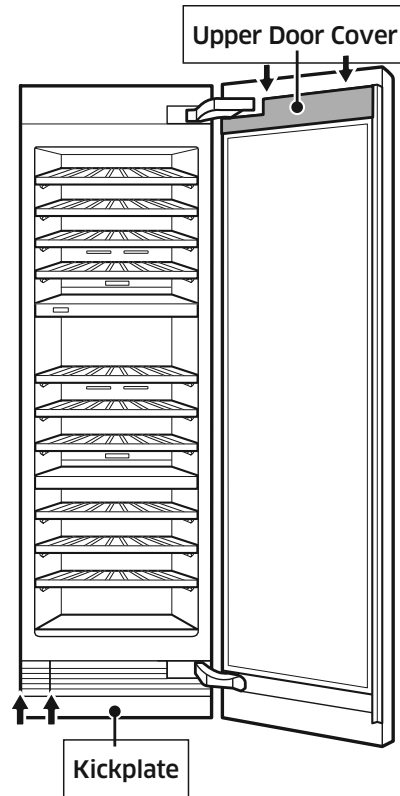


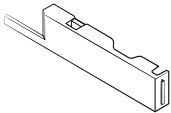


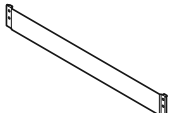

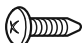
Before positioning the product in the cabinet, plug in the power cord. Then, attach the power cord near the front of the cabinet opening using tape or fixer such as clip, pin, etc.

After positioning the product inside the cabinet, make sure the power cord is positioned on the top of the product (as shown in the in the figure).

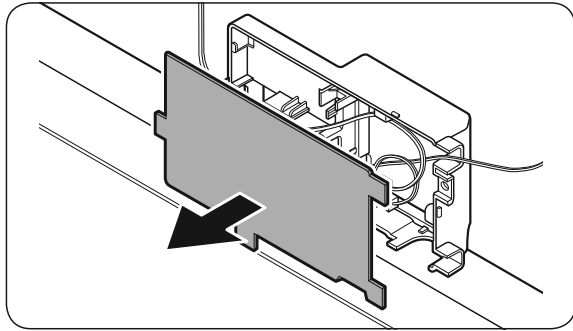
5. Removing Upper Door Cover, Kickplate

You need to remove the upper door cap and kickplate before you adjust the custom door panel.

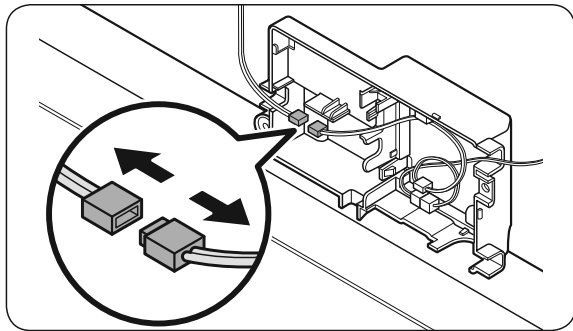


Upper Door Cover		 	M5x16	2 ea
Kickplate		 	M4x8	2 ea

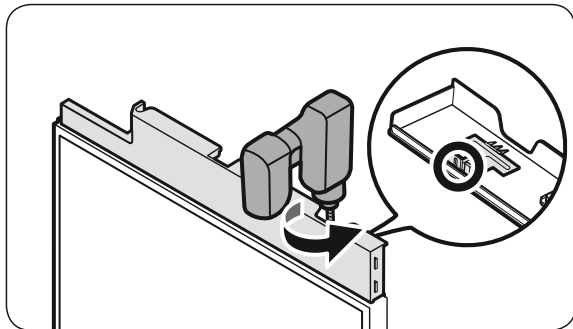
Installation Instructions



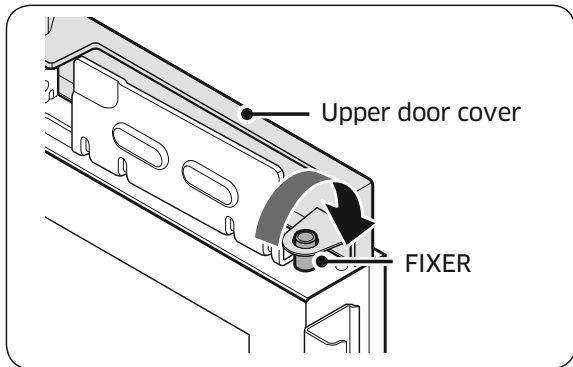
1. Remove the inner cover on the inner part of the upper door cover.



2. Disconnect the humidity sensor connector.

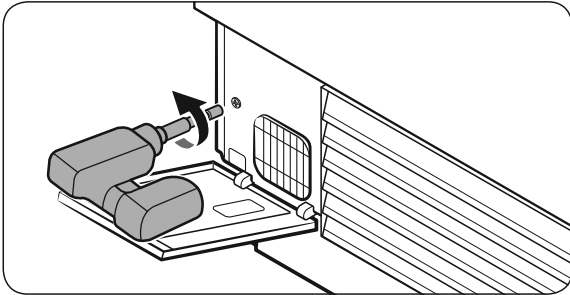


3. Remove the 2 screws fixing the upper door cover.

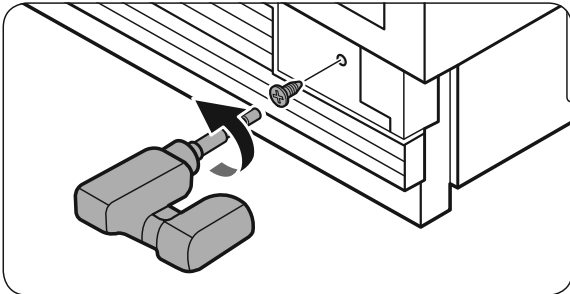


4. Remove the upper door cover from the fixers.

-
- Kickplate : For side-by-side installation, remove the grill cover. This is not applicable for standard one installation.

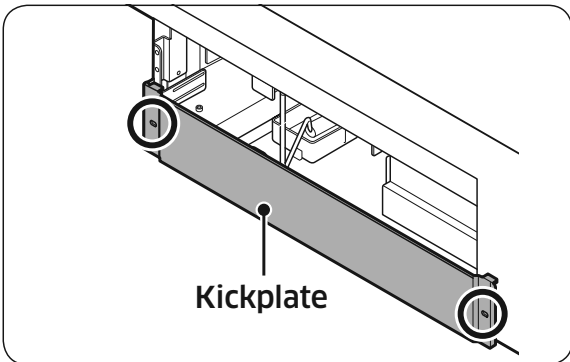


1. Push open the cover. Remove the screws on side and remove grill cover.



⚠ WARNING

Do not use impact drill. Can cause damage.



2. Remove the screws on both sides, and remove the kickplate.

Installation Instructions

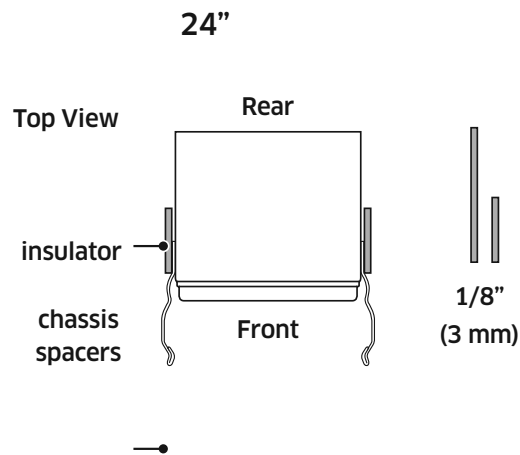
6. Attaching Insulators on the Side of the Wine Cellar - Single Installation

Attach 2 insulators on any one side of the wine cellar.

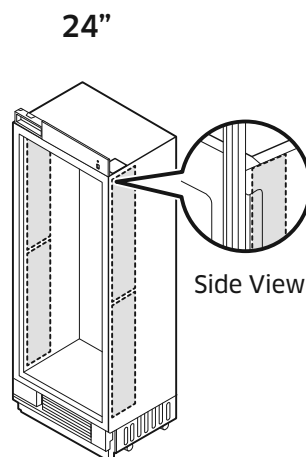
Check your model first, and then attach the insulators by referring to the figure below.

Attach the insulators to cover the screws on the chassis spacers.

Align the insulators with the end of the center chassis spacer.



See the figures below for the layout after the insulator is attached.



7. Attaching insulators on the side of the freezer or fridge and Wine Cellar - Side-by-side (Pair) Installation

Attach 2 insulators on any one side of the freezer or the fridge. The insulators are different in size according to the type. Check your model first, and then attach the insulators by referring to the figures below. Make sure a larger insulator is attached on the contact point.

Attach the insulators to cover the screws on the chassis spacers.

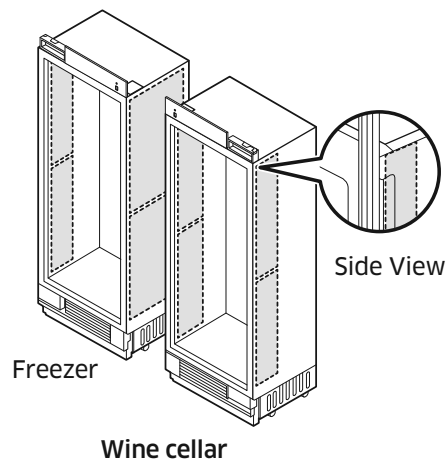
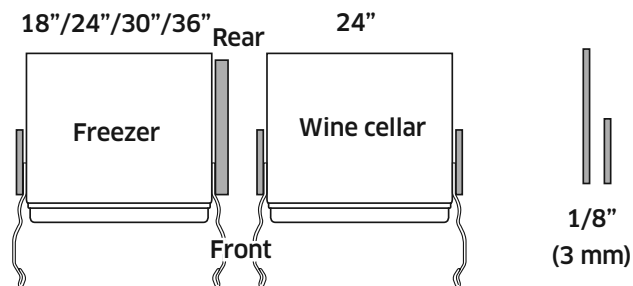
Align the insulators with the end of the center chassis spacer. When pairing is complete, the insulators may be visible.

Product placement

1. When a freezer is on the left-hand side

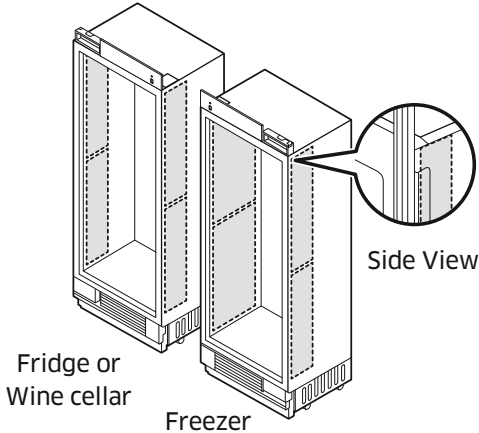
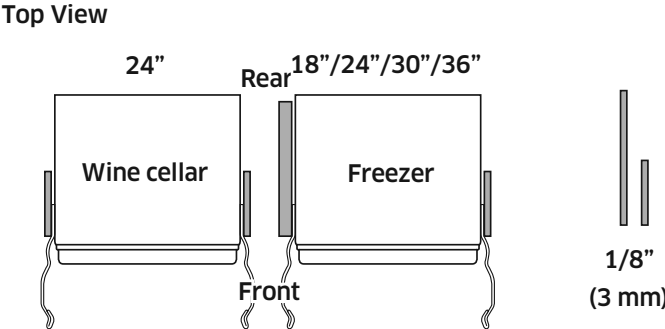
See the figures below for the layout after the insulator is attached.

Top View



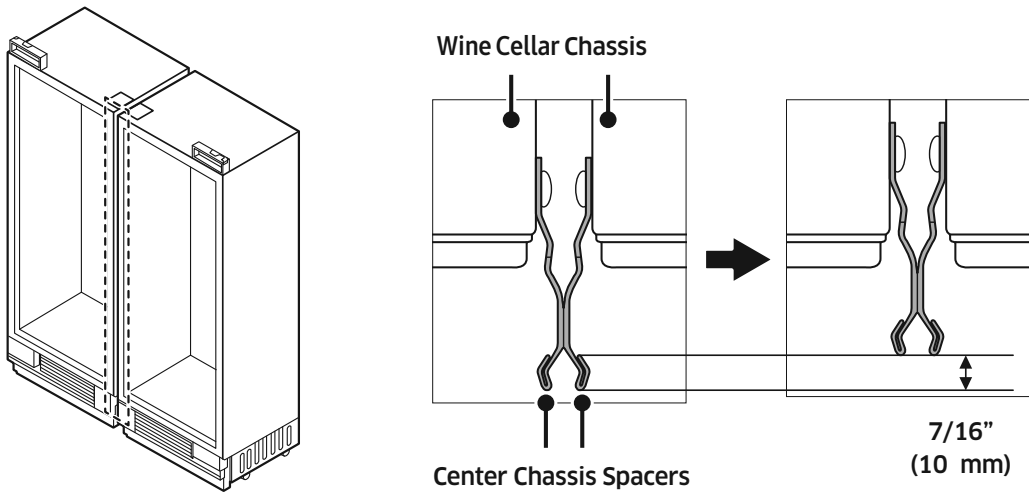
Installation Instructions

2. When a freezer is on the right-hand side
See the figures below for the layout after the insulator is attached.



Repositioning the Center Chassis Spacers

1. Remove the set's center chassis spacer.
2. Re-attach the spacers $7/16$ in. (10 mm) back from their original position (see graphic below).



Installation Instructions

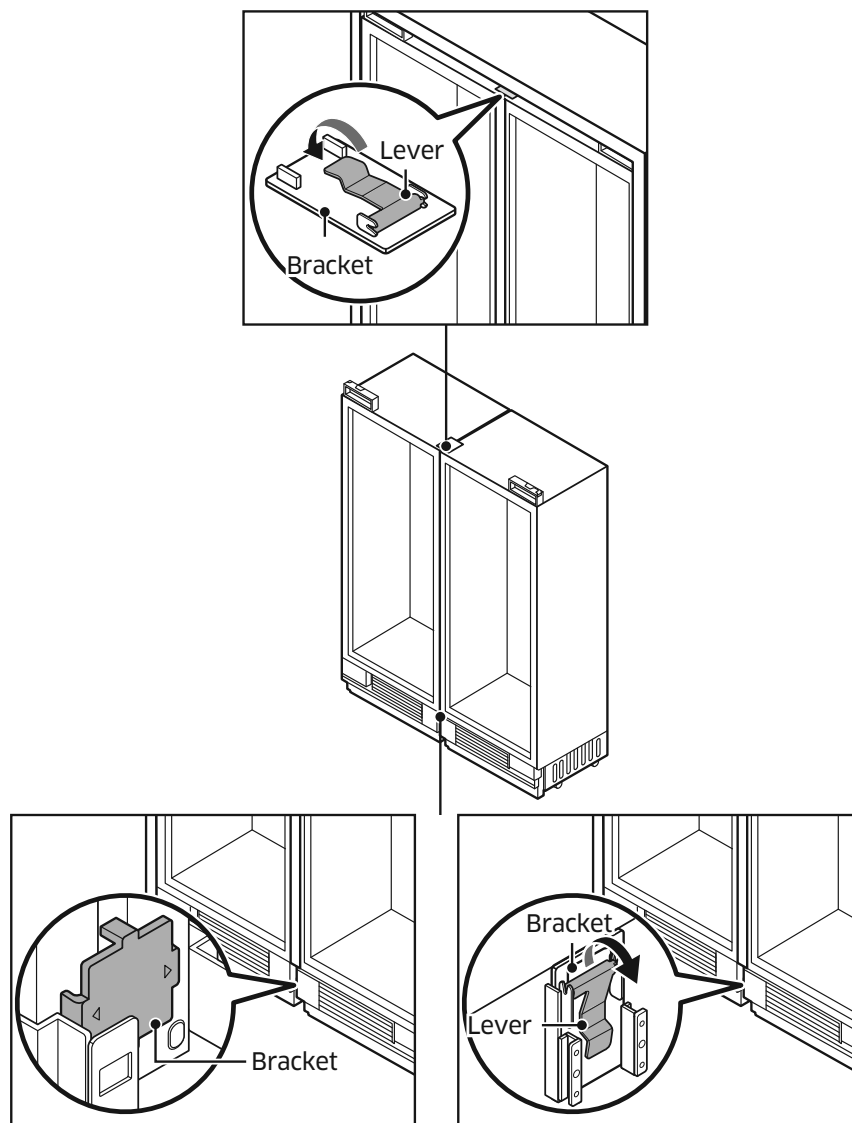
8. Connecting the Two Chassis

1. Making the upper connection.

- Attach the rectangular bracket to the protruding tabs on the top of each chassis (see the graphic).
- Attach the lever to connect the two chassis.

2. Making the lower connection.

- Insert the bracket in the groove at the bottom of the two chassis.
- Attach the lever to connect the two chassis.



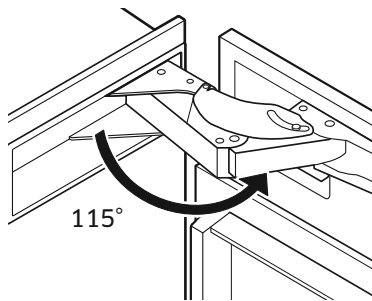
9. Adjusting the Door Opening Angle

By factory default, the door opens by 115 degrees. You can use the limiter pin to adjust the opening angle down to 90 degrees, depending on the installation conditions.

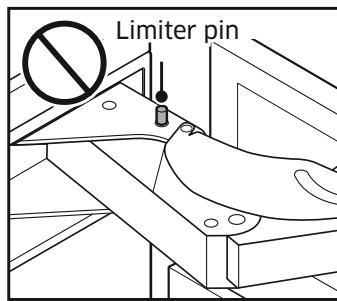
- Open the door to less than 90 degrees, and then completely insert the limiter pin through the top and bottom holes of the top hinge as shown in illustrations (1) and (2).
- Close the door and make sure the limiter pin does not interfere with the hinge cover.

CAUTION

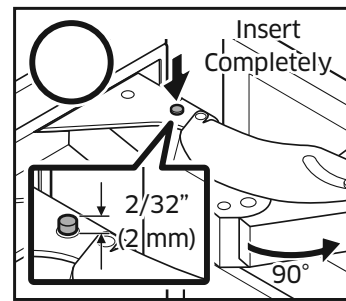
- Insert the limiter pin before putting the Wine Cellar into the cabinet.
- If the limiter pin is not inserted completely, the hinge and the hinge cover may get damaged.



Factory default 115°



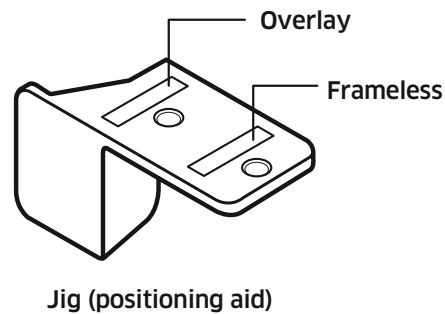
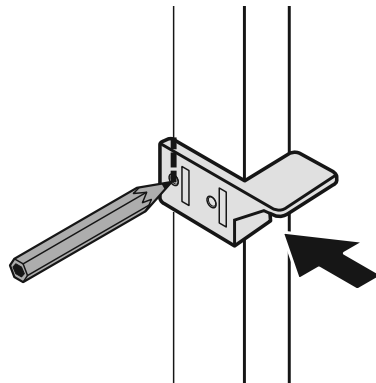
With limiter pin 90°



Installation Instructions

10. Moving the Wine Cellar Into Its Enclosure

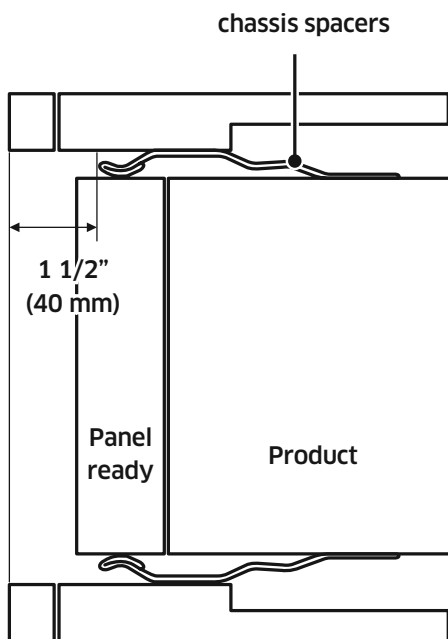
- According to the type of cabinet, a jig (positioning aid) can be used to align the Wine Cellar's custom door panel with cabinet by marking vertical line on the cabinet.



⚠ CAUTION

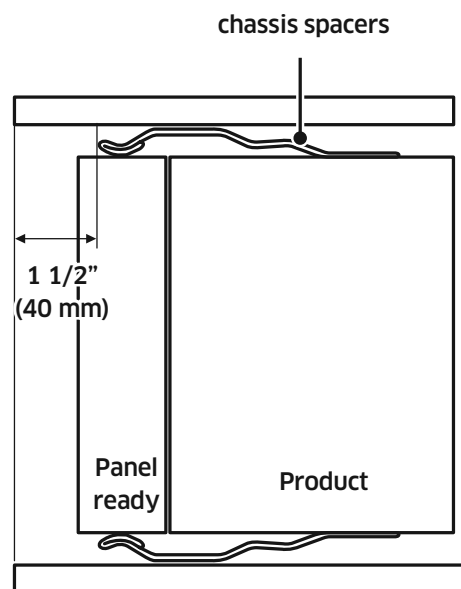
Make sure to position the front of chassis spacer so that it is aligned with the vertical line. Otherwise, the installed Wine Cellar will tilt and its door may not close fully. In addition, auto door open system may not work normally.

Overlay Type



Top view

Frameless Type



Top view

CAUTION

As you push the wine cellar into its enclosure, take care not to damage the power cord. Also, arrange the power cord behind the appliance to ensure that it is not stepped on or over.

WARNING

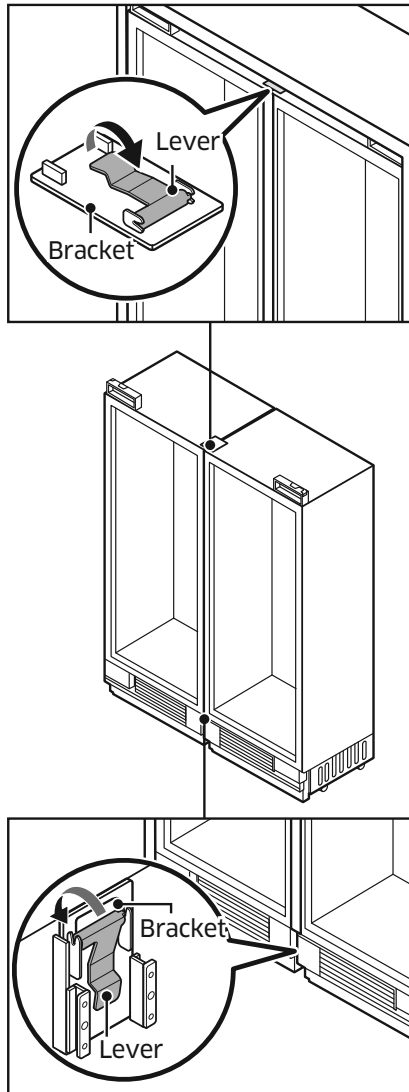
While moving the wine cellar, take care not to harm assisting personnel or the wine cellar itself.

1. Before moving the wine cellar, connect the power cord.
2. Place packaging cardboard or plywood in the wine cellar's path to protect the flooring while moving the appliance.
3. Carefully push the wine cellar into its enclosure.
4. Align the forward edge of the chassis spacer with the vertical line you marked on the cabinet.

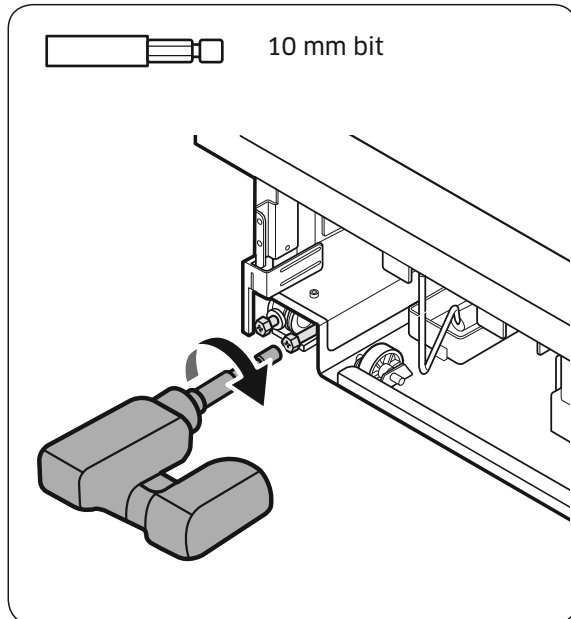
Installation Instructions

11. Removing Two Levers

- To facilitate leveling on the wine cellar, remove the top and bottom levers to unpair the chassis.
- To disassemble lower lever, use a screwdriver by force.



12. Leveling the Wine Cellar



1. Using your drill and the bit shown below, engage each of the wine cellar's adjuster shafts in turn, and level the wine cellar (CW \uparrow , CCW \downarrow)
2. Adjust the gap between the furniture and wine cellar top cover to 1/8 in. (3 mm).

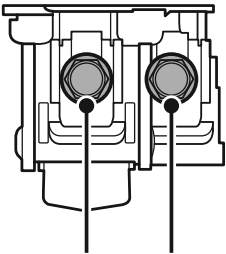
⚠ WARNING

Do not use impact drill. Can cause damage.

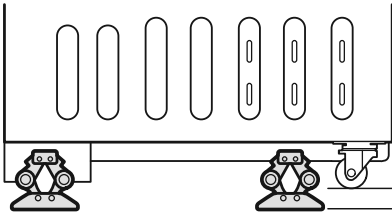
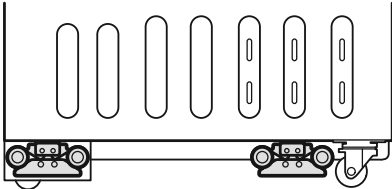
⚠ CAUTION

- The front and rear leveling legs have a maximum height adjustment of 3/4" (20 mm).
- To further raise the wine cellar, put the wine cellar on top of a sheet of plywood or runners.
- Raising the wine cellar above 3/4" (20 mm) will damage the front and rear leveling components.
- When pairing is complete, make sure to level both appliances simultaneously. Do not level them sequentially one after the other. Otherwise, the jack may not operate properly.

Installation Instructions



Front Rear
Adjustable shaft
(10 mm)

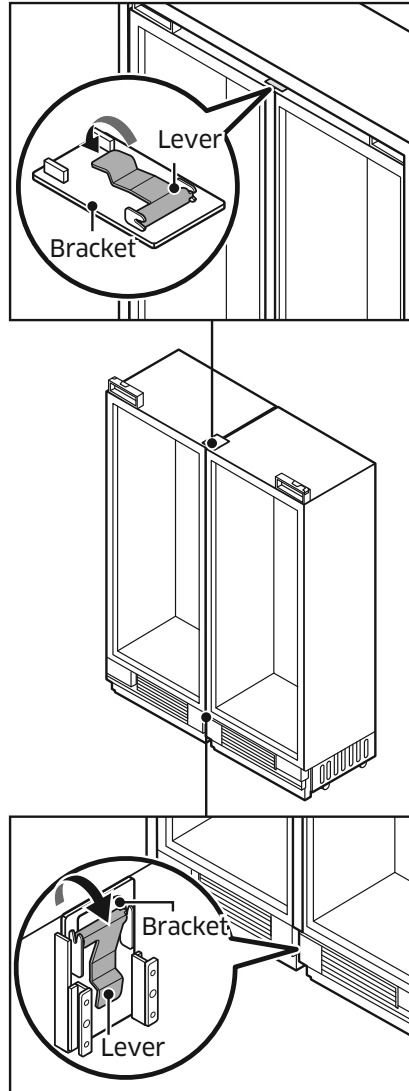


Max 3/4",
20 mm

Jack type (height adjustment)

13. Attaching Two Levers

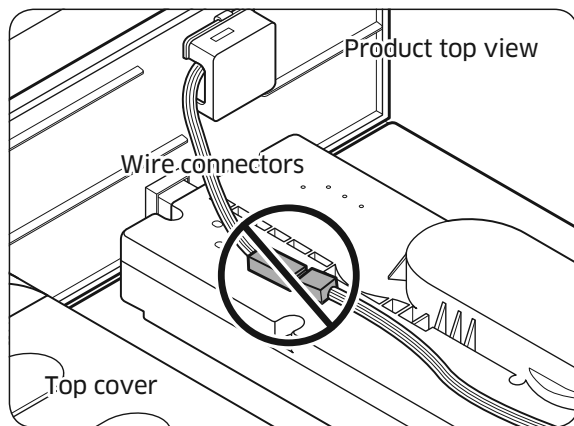
- Attach the top and bottom levers to pair the chassis.



Installation Instructions

14. Attaching the Wine Cellar's Top Cover

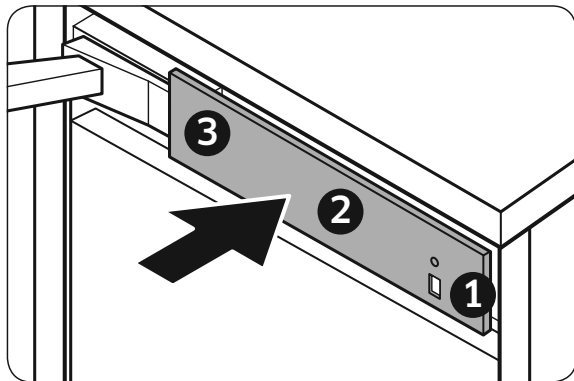
The light intensity sensor is attached to the top cover. The wine cellar does not use the light intensity sensor, therefore do not connect the sensor connector.



1. Connect the wires for electric parts from around the Auto Door Open kit, and then insert the wires in the rectangular pipe.

CAUTION

Be careful not to damage the wires.



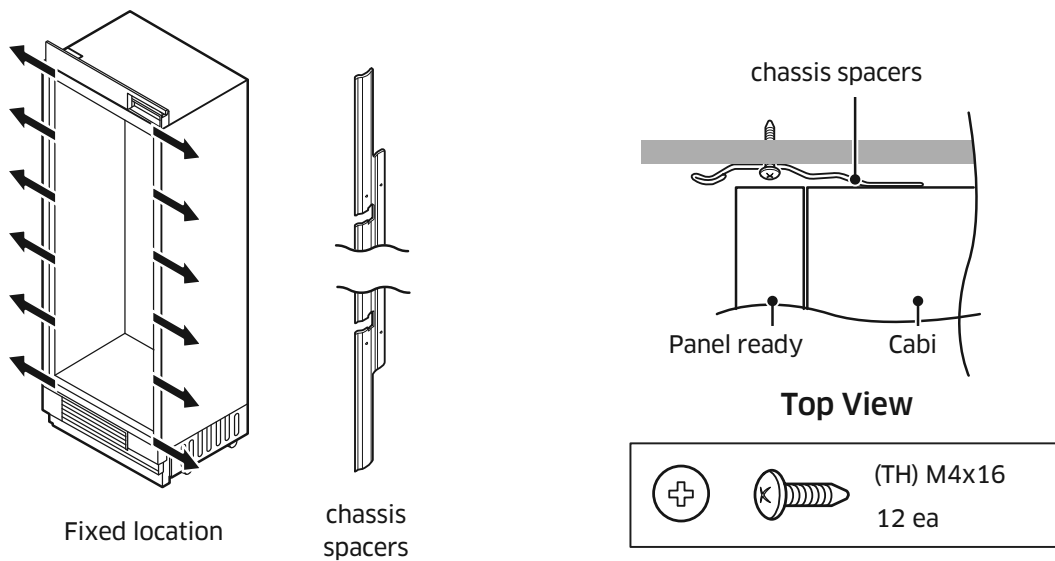
2. To attach the top cover, fix the hooks in the order of the numbers as shown in the figure.

15. Securing the Wine Cellar

Secure the wine cellar to its enclosure with (TH) M4x16 screws (6 screws per side, as shown in the graphic).

⚠ CAUTION

Make sure the appliance is level. If the appliance is not level, the wine rack may slide in or out.



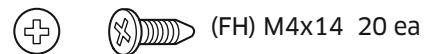
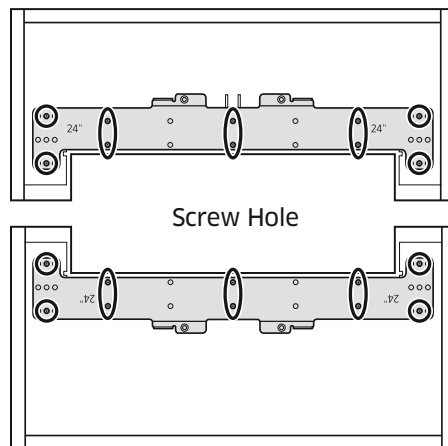
Installation Instructions

16. Attaching the Custom-Door-Panel Brackets

Attach the panel brackets to the top and bottom of the panel.

Custom Panel: STS

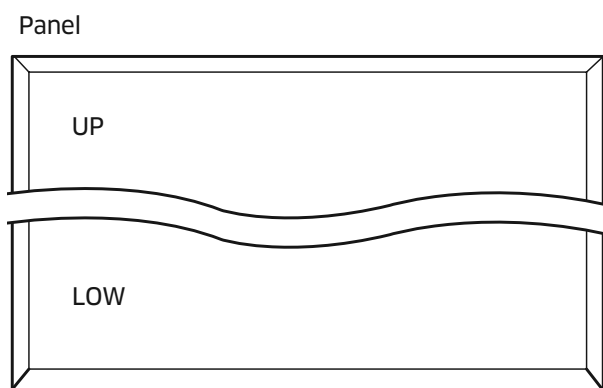
Drive 10 screws each to the top and bottom brackets as shown in the graphic. (The other holes on each side of the bracket are for a different application.)



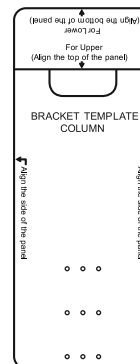
UPP : 10 ea / LOW : 10 ea

Custom Panel: Wood, Other

- The template informs you the position of the bracket and holes.
- Mark hole positions on every corner of the panel according to the template and drive the screws into the holes.



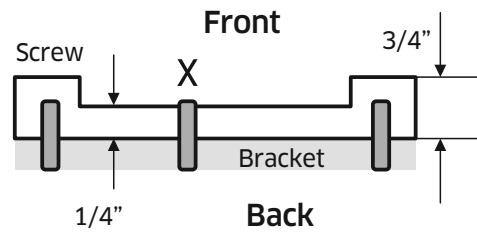
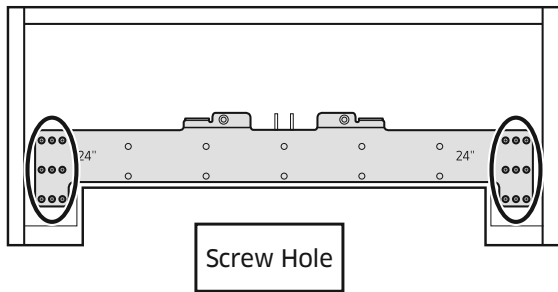
Template




UPP : 10 ea / LOW : 10 ea

Custom Panel: Recessed Back, Other

If, by the nature of its design, the panel cannot be attached at the center of the bracket, use the whichever suitable screw holes on the sides of the bracket to attach the panel.



-  (FH) M4x14
-  20 ea
- UPP : 10 ea / LOW : 10 ea

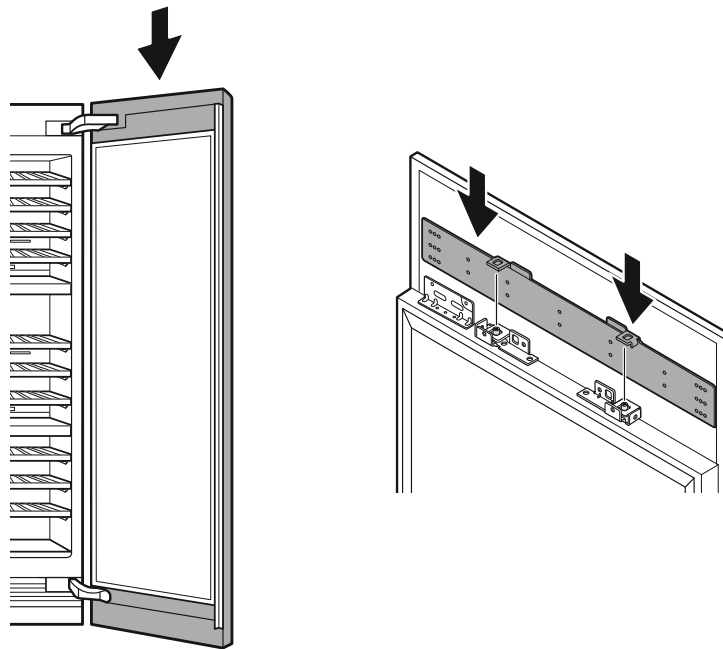
Installation Instructions

17. Hanging a Custom Panel

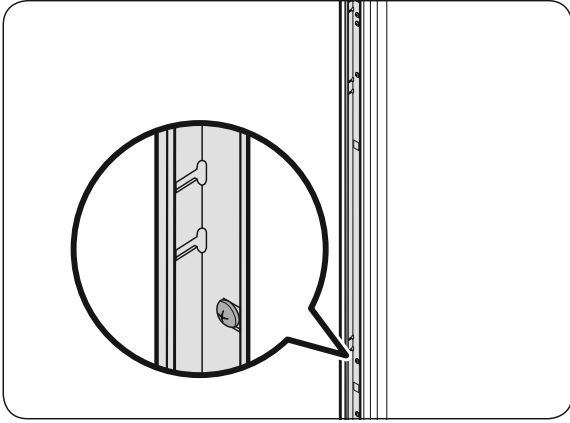
WARNING

If you install a custom panel before fixing the appliance to the cabinet, the custom panel can tip over. To prevent this, you must follow the installation instructions.

- Hang the panel bracket on the height adjustment screw. (See the graphic.)

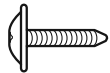
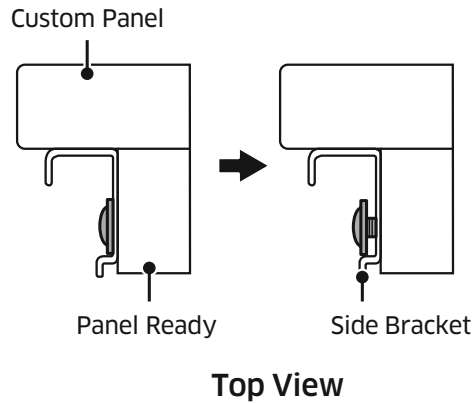
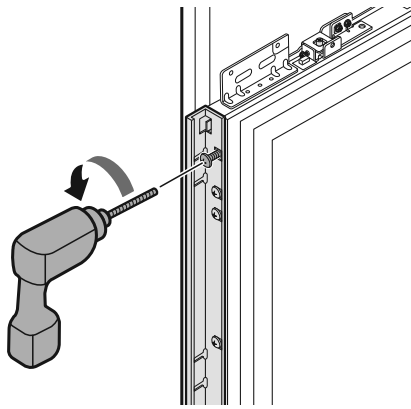


18. Preparing the Panel for Adjustment



1. Fix the custom panel temporarily onto the side of the door by tightening the screw in the center of the panel.

2. Loosen—but do not remove—the six screws on the side of the door so you can adjust the custom panel vertically.



(PW) M4x16

12 ea

Installation Instructions

19. Aligning the Panel

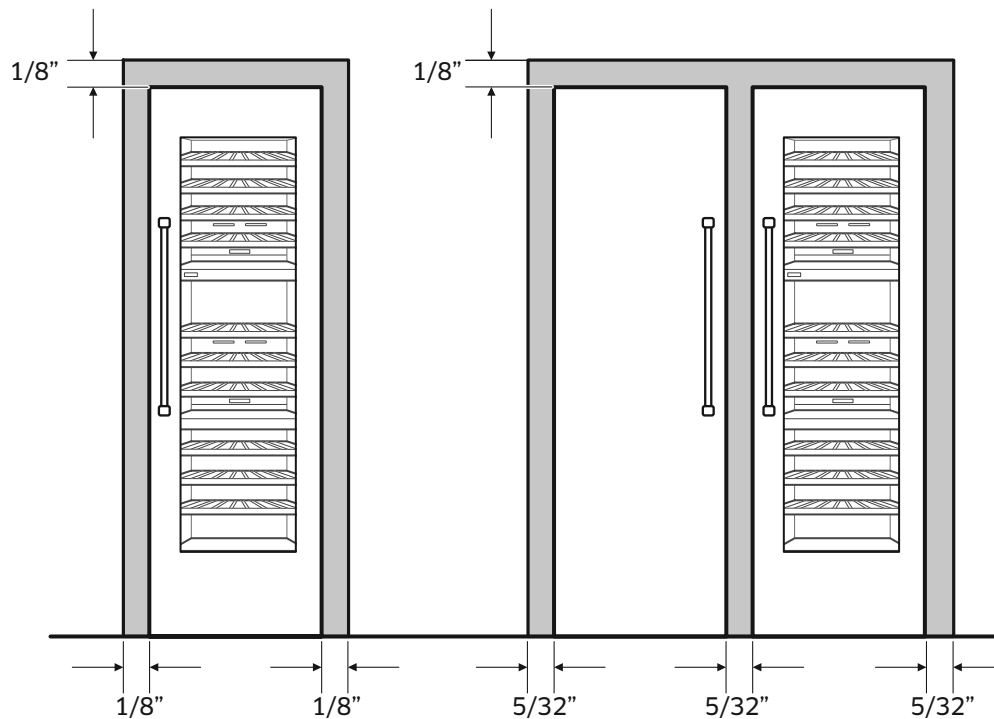
NOTE

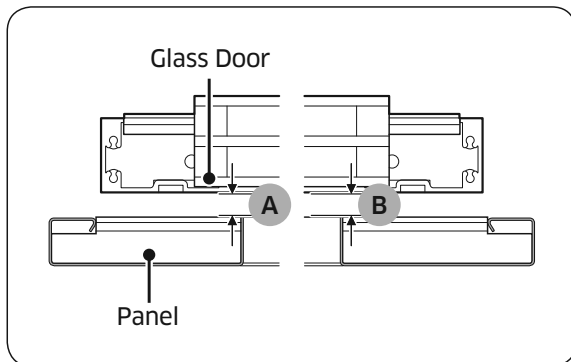
Each custom panel comes with 12 dedicated screws for fine-tuning. Use a minimum number of screws to fine-tune the custom panel with the cabinet. Once fine-tuning is complete, fix the custom panel with the top nut.

There are two panel-adjustment mechanisms at the top and two at the bottom of the door. Adjust the panel so it aligns with the surrounding cabinetry.

The gap between the cabinet and the panel must be:

- 1/8" (3 mm) on top
- 1/8" (3 mm) on the side for single installation
- 5/32" (4 mm) on the side for pair installation





The gap between the glass door and the panel must be same on all sides (top, bottom, left, and right) or the difference should be no more than 2/32" (2 mm). (For example, if **A** is 2 mm, **B** should not exceed 4 mm.)

Top of the Door

1. Use the double-threaded bolts to align the door panel.
2. Engage a side screw (see the graphic) to shift the panel side to side.
3. Engage Screw 1 (see the graphic) to shift the panel forward/backward; engage Screw 2 to set the panel in place.

Installation Instructions

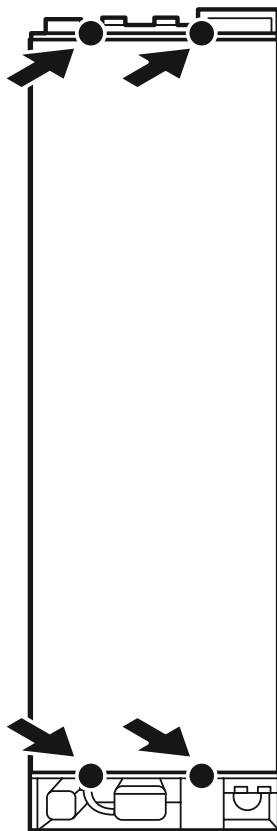
1. Engage Double Threaded Bolt (see the graphic) to shift the panel up and down.
2. Engage a side screw (see the graphic) to shift the panel side to side.



⚠ CAUTION

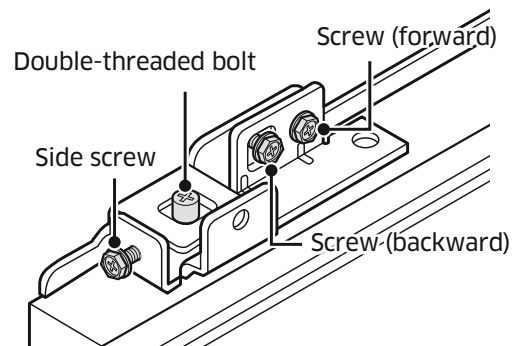
Be careful not to damage the wires when fastening the side screw.

3. Engage Screw (backward) (see the graphic) to shift the panel forward/backward; engage Screw (forward) to set the panel in place.

● Panel-adjustment mechanisms

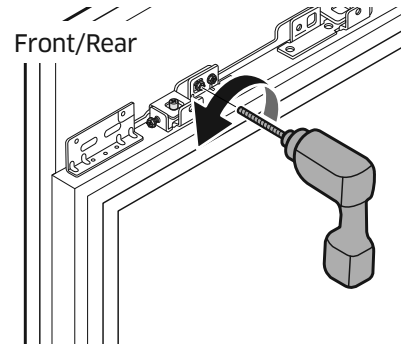
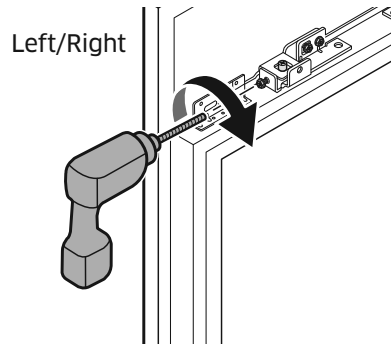
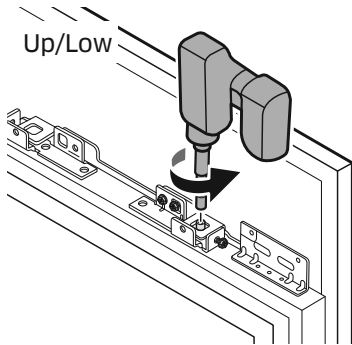


  Each 12 screws per Door
M6x12 12 ea

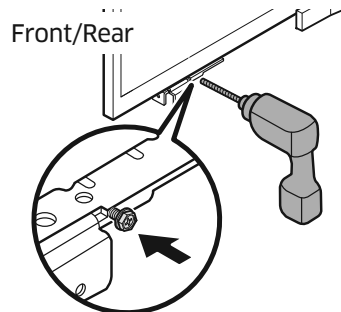
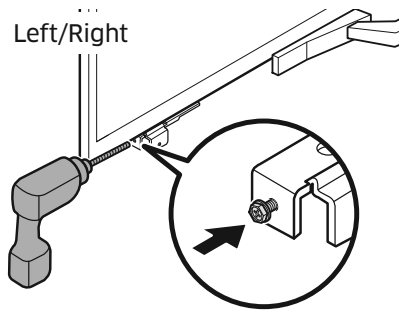


Panel-Adjustment Mechanism

Top of Door

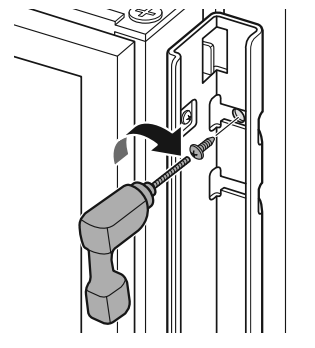
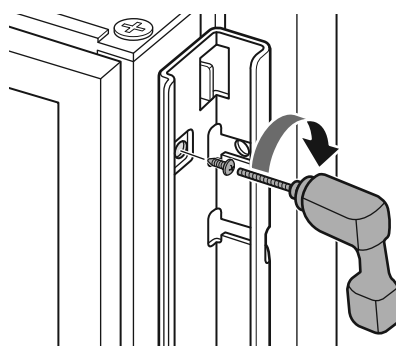
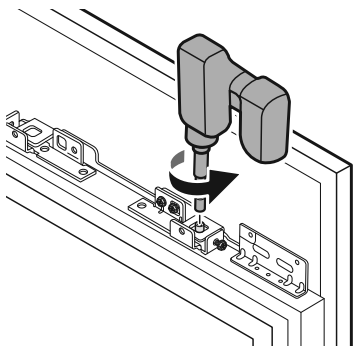


Bottom of Door



Attaching the Panel to the Door

1. Screw nuts snugly onto the double-threaded bolts.
2. Fasten the screws to assemble the panel and the door as shown in the figure.



Two nuts per set



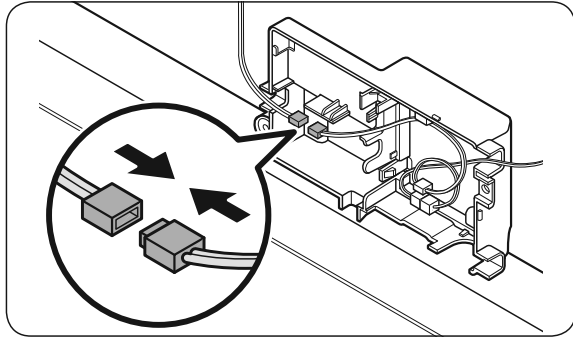
Six screws per side
(into the door)

Six screws per side
(into the panel)

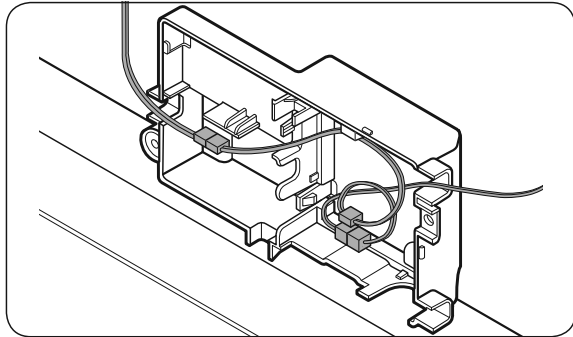
Installation Instructions

20. Attaching the Door's Interior Covers

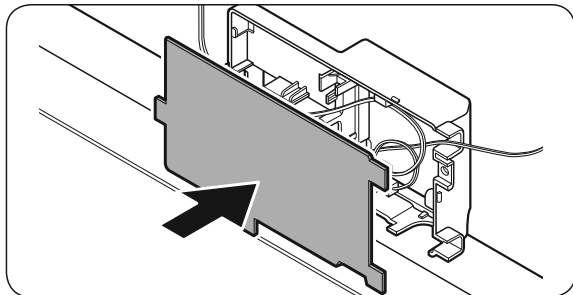
Upper Door Cover



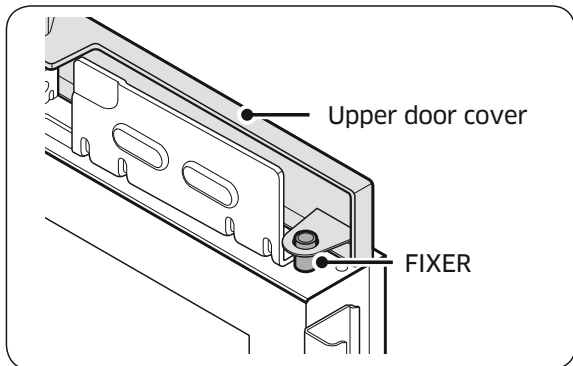
1. Connect the humidity sensor connector, and then arrange the wires as shown in the figure.

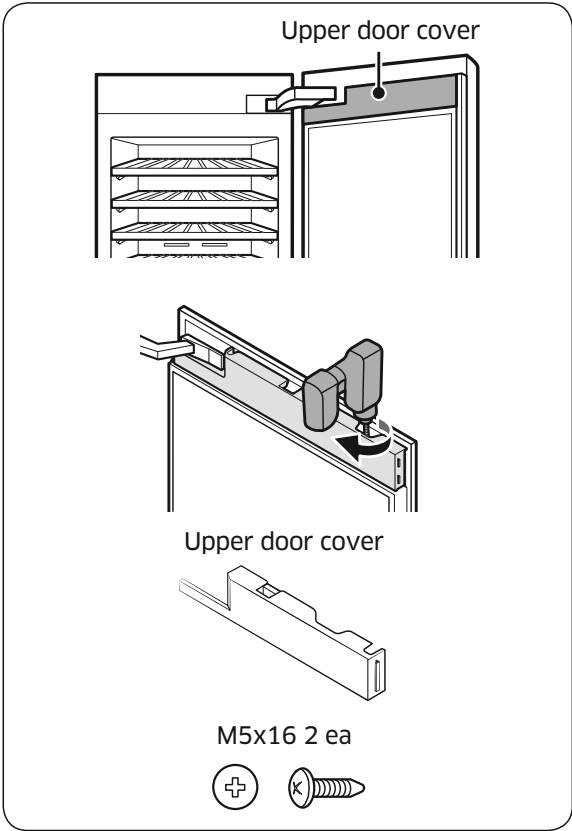


2. Assemble the inner cover.



3. Insert both side rings of the door cap of the upper door cover into the fixer.



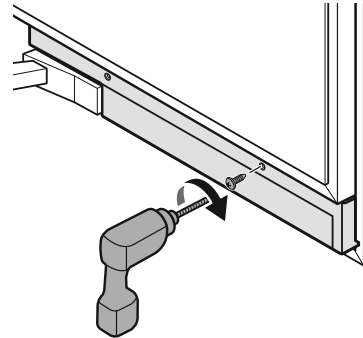
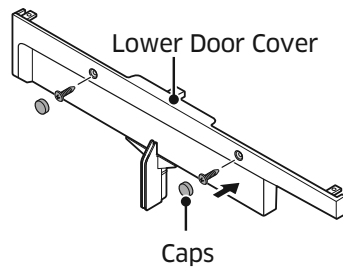


4. Fasten the 2 screws to fix the upper door cover.

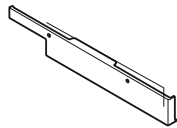
Installation Instructions

Lower Door Cover

1. Attach the air guide to the lower door cover (2 screws per set).
2. Attach the lower door cover by driving the screws from the front (2 screws per set).
3. Attach the caps over the screw holes.



Lower Door Cover



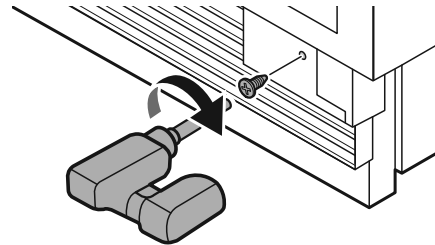
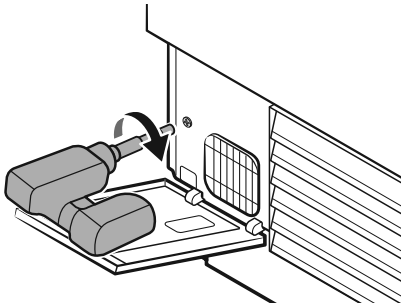
(FH) M4x14 2 ea



21. Attaching Grill, Kickplate and Toe Kickplate (optional)

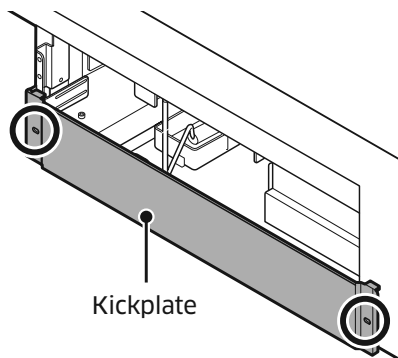
Attaching grill

- Drive the screws tightly on both sides to attach the grill. Otherwise, the door may not close fully.

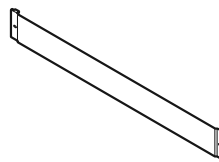


Attaching kickplate

- Drive the screws on both sides to attach the kickplate.



Kickplate



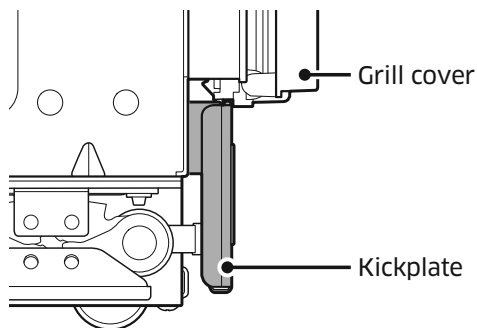
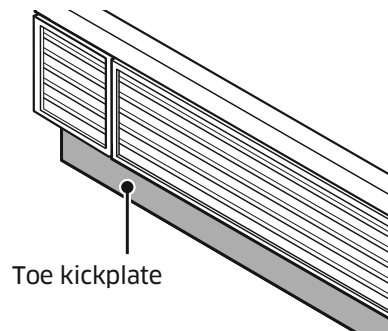
M4x8 2 ea



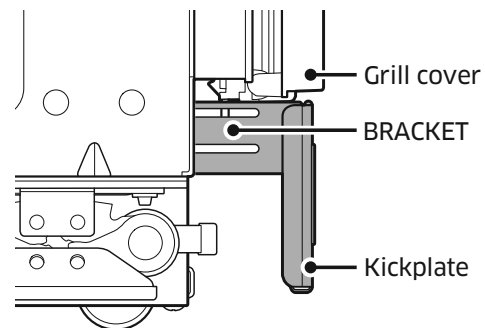
Installation Instructions

Attaching Toe kickplate

- The height of the product can be adjusted between 83 3/8" ~ 84 3/8".
- If you want to use the provided Dacor toe kickplate (4"), note that it was designed for a product height of 83 7/8" and cabinet height of 84".
- If you want to use a toe kickplate not provided by Dacor, adjust the height of the toe kickplate accordingly.
- You can extend the bracket to move the kickplate by a max of 32 mm to the front.



Factory default



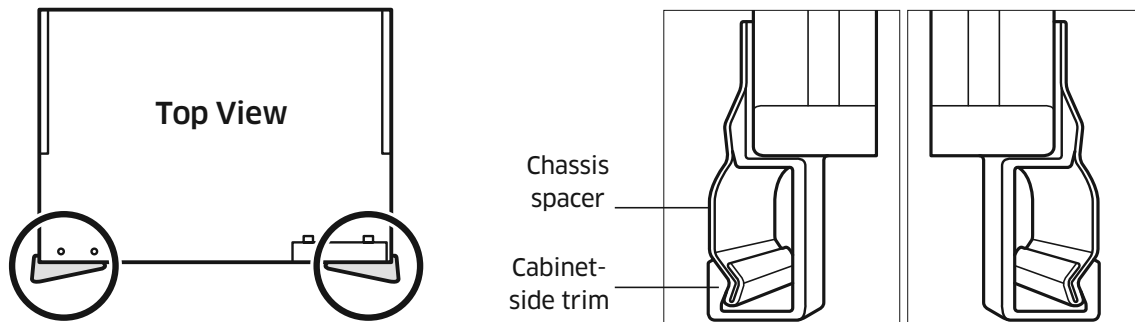
32 mm to the front

22. Attaching the Wine Cellar Trim

1. Cabinet-side trim: Attach the trim between the wine cellar and the cabinet.

⚠️ WARNING

Please check again if there is any problem after installation.



2. Door-side trim: Attach trim to the door's side bracket.

- Refer to figure 1-① and secure the door side trim to the bracket. Make sure the trim is properly seated.
- Refer to figure 2-② and secure the door side trim to the door cover rib. Make sure the trim is properly secured without any gap in between on both the top (figure 2-③) and the bottom (figure 2-④).

⚠️ WARNING

Please check again if there is any problem after installation.

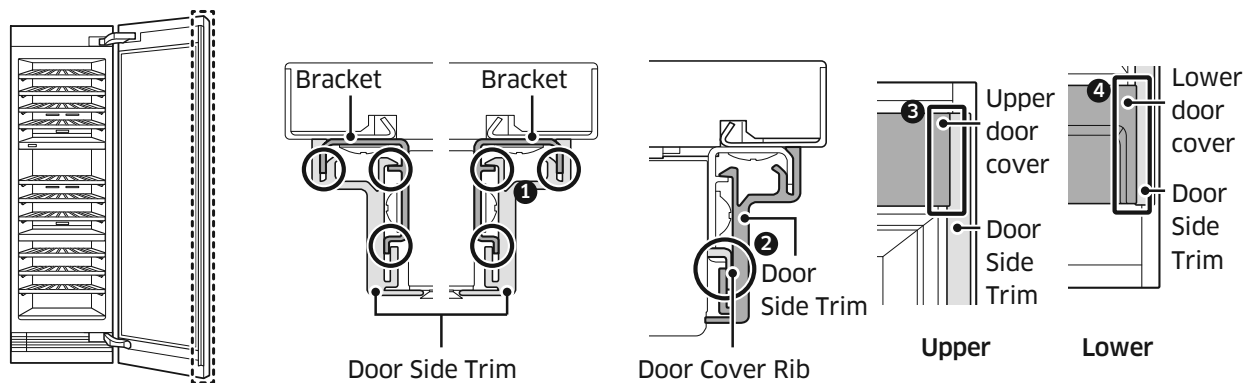


Figure 1

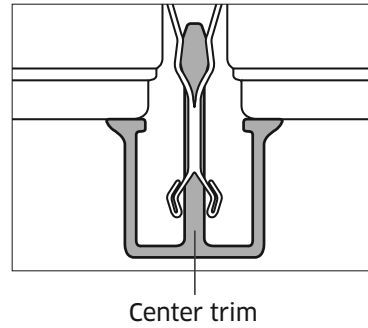
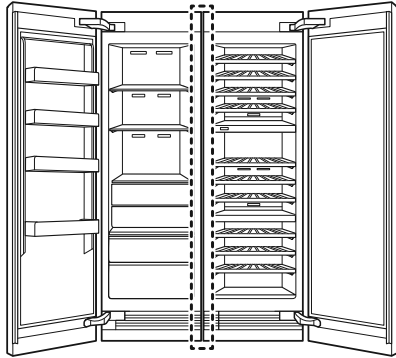
Figure 2

Installation Instructions

3. (Side-by-side installation only) Center trim: Attach the trim between the wine cellar chassis.

 **WARNING**

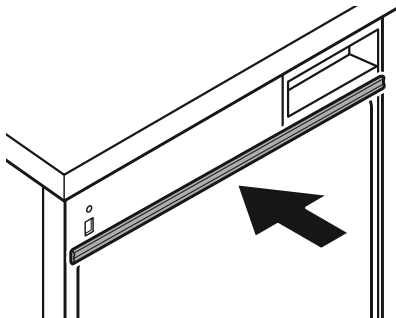
Please check again if there is any problem after installation.



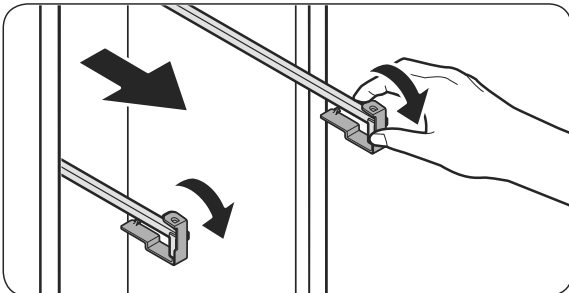
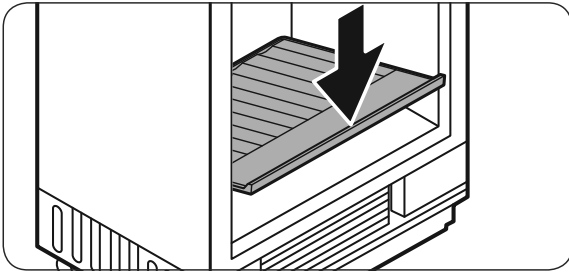
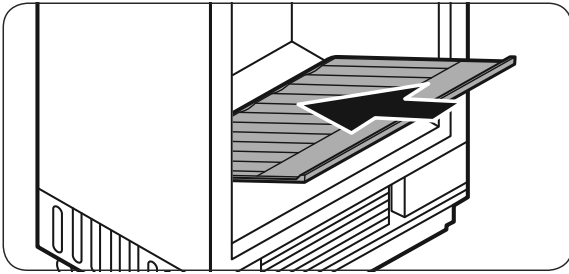
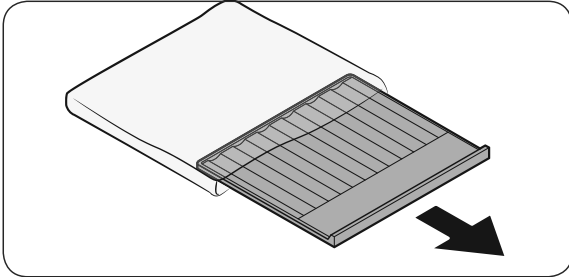
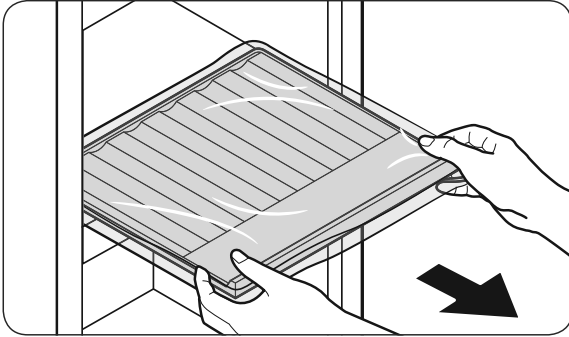
23. Attaching Trim Top Cover

Attach the Trim Top Cover on the bottom of the Top Cover.

- For pair installation, cut to fit the Trim Top Cover width and attach.



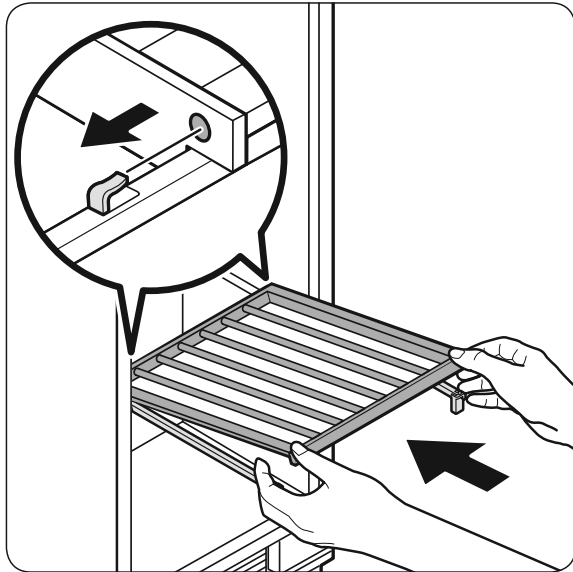
24. Assembling the Wine Rack



1. Remove the packaging of the bottom wine shelf, and then place it on the bottom of the wine cellar.

2. Remove the rail holder.

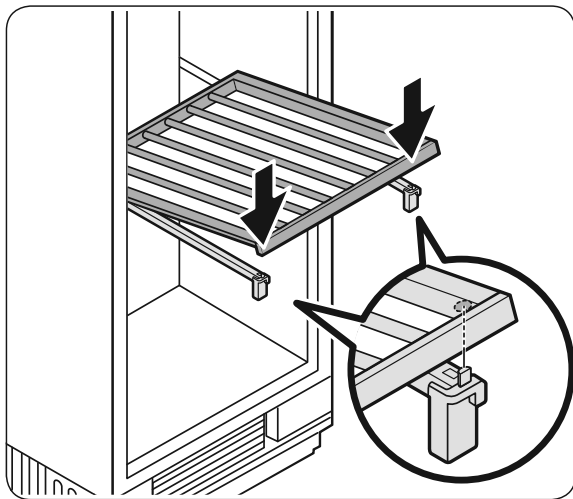
Installation Instructions



3. Hold the front part of the wine rack and the rail, and then push the wine rack so that the hook on the back of the rail is inserted into the hole on the back of the wine rack as shown in the figure.

NOTE

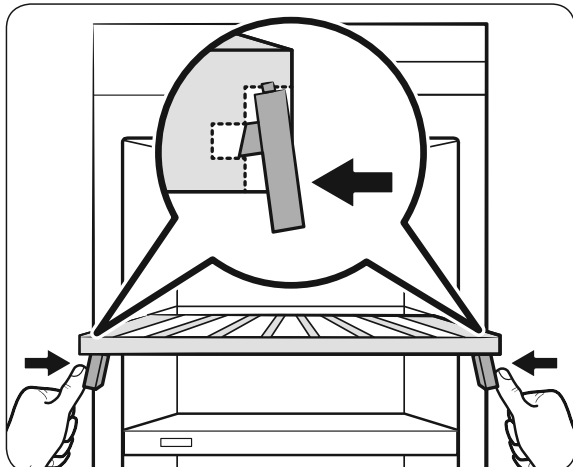
Make sure the hooks on both rails are properly inserted into the rack.

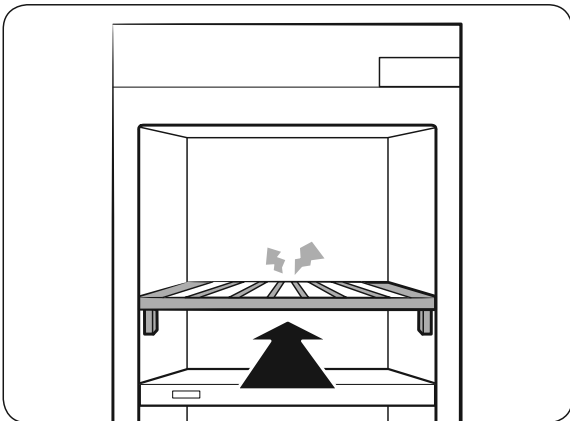
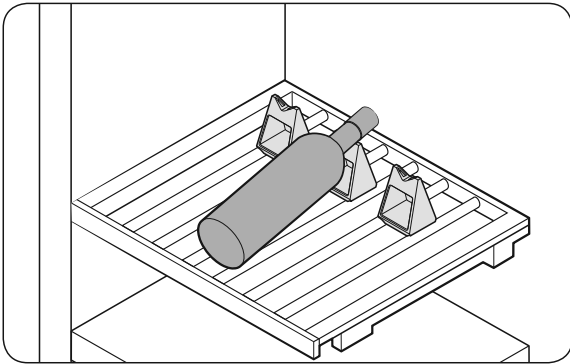
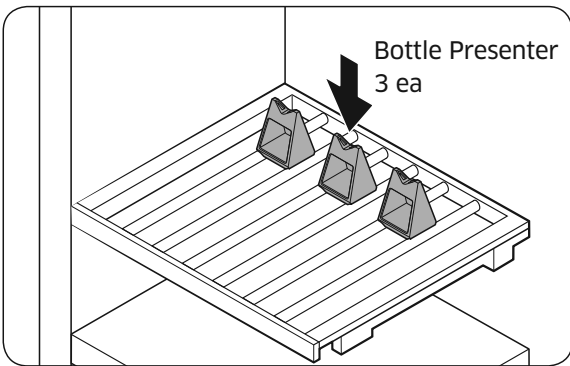
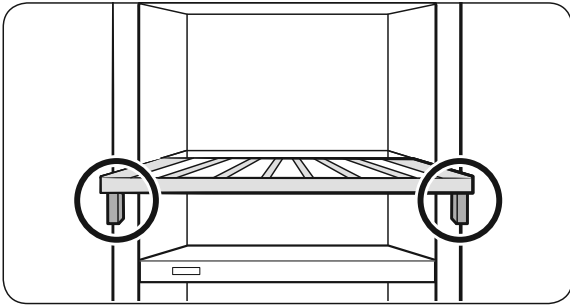


4. Fix the front part of the wine rack by placing the rack on the front of the rail so that two pins on the top and side of the rack is inserted into the holes on the front part of the rack as shown in the figure.

NOTE

Make sure the pins on both rails are properly inserted into the holes on the rack.





5. Place 3 Bottle Presenter on the wine rack of the Presentation Zone.

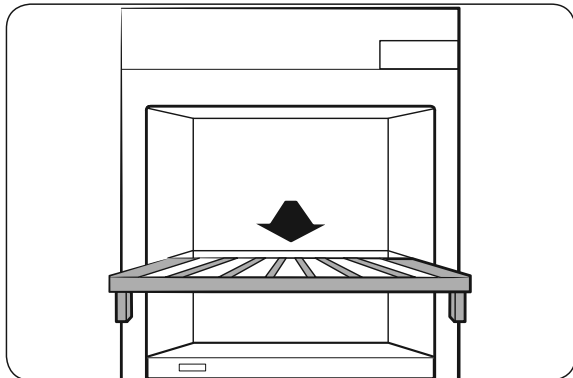
6. Slide in the wine rack until you hear a clicking sound.

Installation Instructions

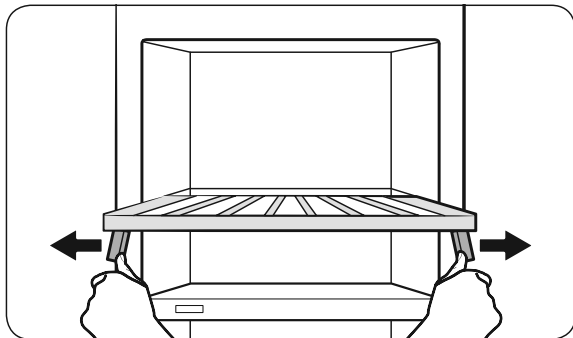
WARNING

- Make sure the appliance is level. If the appliance is not level, the wine rack may slide in or out.
- Make sure the wine rack is firmly fixed.

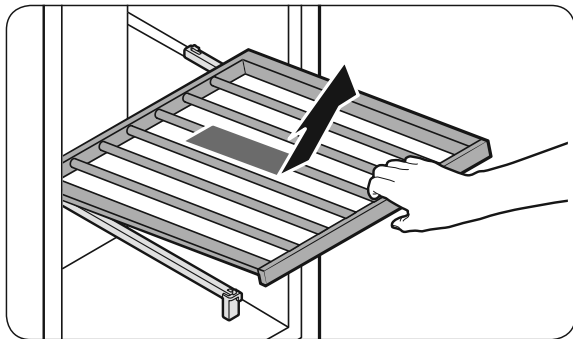
25. Disassembling the Wine Rack



1. Pull the wine rack.



2. Gently spread the racks and lift the front part to release from the pins.



3. Pull the wine rack to remove.

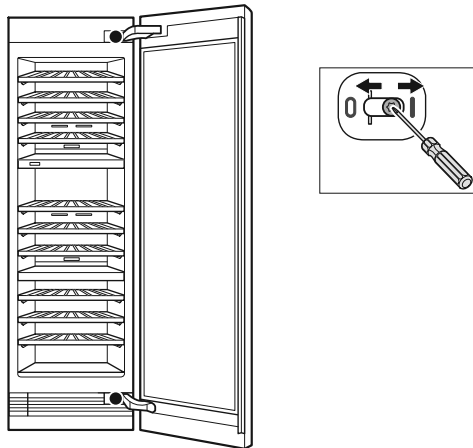
26. Adjusting the Door Spring

Adjust the tension of the door spring according to the product size.

With a star-head screwdriver, turn the adjusting screw.

I = maximum spring tension

0 = no spring tension



27. Cleaning

Remove the protective vinyl.

Installation Instructions

28. Installation Checklist

Ensure the wine cellar functions properly and that the custom door panel aligns with the surrounding cabinetry.

WARNING

- The following checklist should be completed by the installer to ensure that the wine cellar is safely and correctly installed, functions properly, and that no part of the installation has been overlooked.
- Proper installation is the responsibility of the homeowner. **The importance of proper installation of your Dacor appliance cannot be overemphasized.**

Installation Checklist

- Has the unit been inspected for cosmetic damage?
- Is the unit properly aligned with the adjacent cabinets?
- Do all doors and shelves operate smoothly, without interference?
- Has all packaging, tape, and literature been removed from inside and outside of the appliance?
- Is the power cable connected to a three-prong grounded electrical outlet that meets the electrical specifications?
- Has the unit been properly leveled?
- Is the gap between the glass door and the panel appropriate? (Please refer to page 53.)
- Has the anti-tip bracket been properly installed?
- Has the auto door open system been function properly?
- Do all wine cellar components function properly?
- Has the warranty been activated on-line or the warranty card filled out and mailed?
- Is the wine rack firmly fixed?
- Have you demonstrated to the user how to assemble and disassemble the wine rack

Memo

Memo

Memo



DA68-03621J-01

dacor[®]