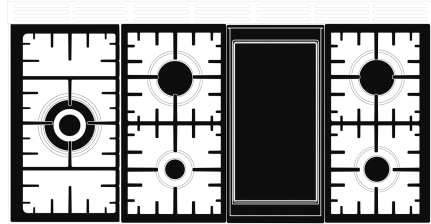


Range 48"

SPR48UGMX
Stainless steel
Dual-Fuel



Spacious and versatile range perfect for preparing several dishes at once, equipped with electric ovens and a gas cooktop: efficient and responsive, the visible heat source allows total control and the choice of the right intensity.

Features

- Ever Clean Enamel** - Easy oven cleaning thanks to special pyrolytic enamel
- Touch control** - Easy and intuitive timer setting with a single touch
- Tangential cooling** - New cooling system with tangential fan and airflow from the door to the splashback
- True-convection** - The best cooking performances guaranteed by ventilated circular flow.

Cooktop technical features

Cooking zones	6
Left - 22000 BTU	
Rear-center - 15000 BTU	
Front-center - 5000 BTU	
Center - 1400 W	
Rear-right - 15000 BTU	
Front-right - 8000 BTU	
Gas safety valves	Yes

Aesthetic

Color	Stainless steel
-------	-----------------

General information

Range size	48"
Range type	Dual-Fuel

Programs / Functions

Cleaning functions	VaporClean
No. of cooking functions	9

Main oven options

Minimum Temperature	120 °F
Maximum temperature	500 °F

Main Oven Technical Features

Volume	4.45 cu. ft.
Cavity material	EverClean enamel
No. of shelves	5
Total no. of door glasses	3
Soft Close system	Yes

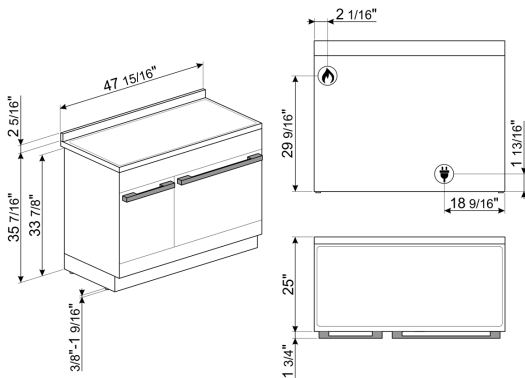
Electrical Connection

Circuit breaker	40 A
Voltage	208/240 V
Frequency	60 Hz

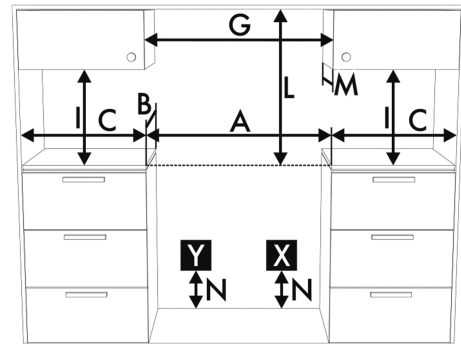
Logistic Information

Width	47 1/4 "
Depth	23 5/8 "
Height	35 7/16 "
Net weight	339 lbs

Product dimension drawing



Product installation drawing



A	1220 mm	48 1/16"
B	636 mm	25"
C ¹	216 mm	8 1/2"
G ²	1220 mm	48 1/16"
I ³	457 mm	18"
L ⁴	610 mm	24"
M ⁵	330 mm	13"
N	178 mm	7"

Accessories



GRM
Coffee machine support



GT3T
Total-extraction telescopic guides



PALPZ
Pizza shovel with fold away handle



WOKGHU
Cast-iron wok support