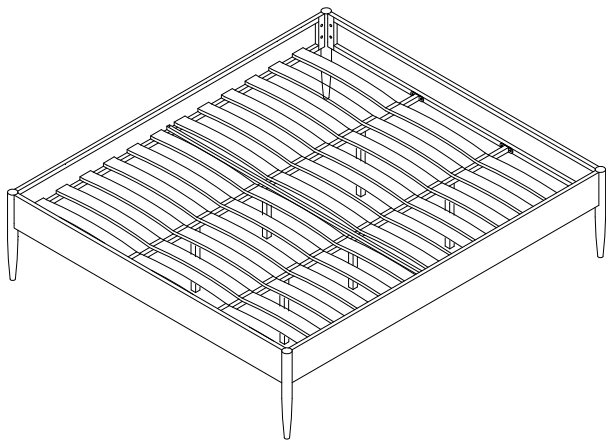


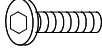





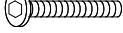
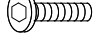
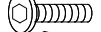


Thank you for purchasing the **MODWAY KING BED FRAME!**

Before you start, here is some helpful advice:

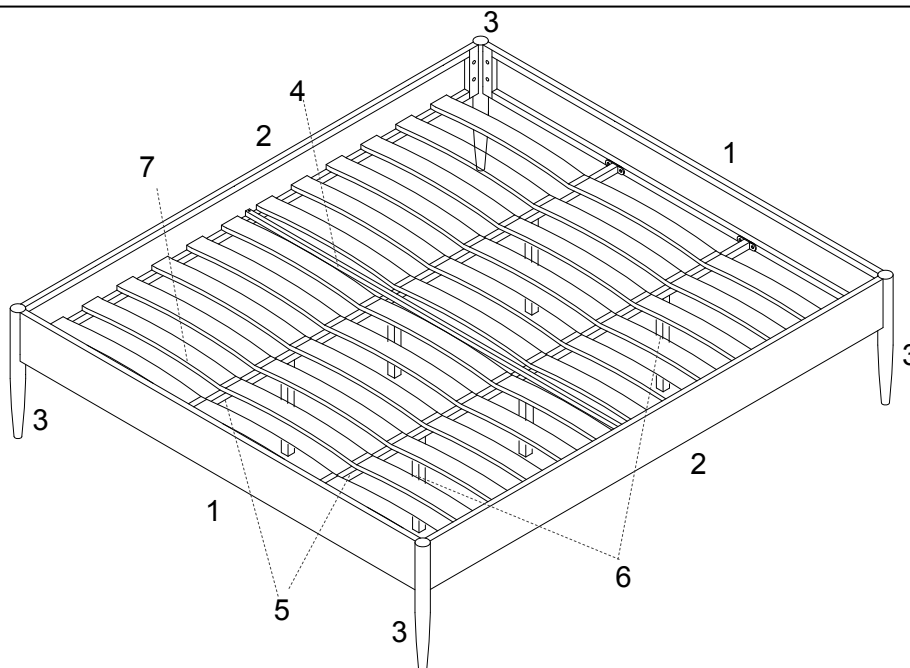
1. We suggest you spend a short time reading through this leaflet and then follow the simple step by step instructions.
2. Owing to the size and weight of the bed frame, we recommend that it is assembled by two adults, on a carpeted or padded area, in the room that it is intended for. Approx assembly time: 45 minutes.
3. Please do not use any tools other than those provided or recommended in these instructions.
4. Please do not throw away any of the packaging or the instruction until you have checked all the components and hardware and the furniture is fully assembled. Please ensure that the packaging is disposed of in a safe environmentally friendly way.
5. Assemble all components loosely until advised to tighten. Depending on use, it may be necessary to tighten the components from time to time, so please save the tools that has been provided.
6. Please keep all fitting out of reach of children.



### Hardware:

A		Bolt M8x20mm	x16
B		Nut M6	x12
C		Allen Wrench M8	x1
D		Open Wrench	x1
E		Side Plastic Cover	x24
F		Allen Wrench M6	x1
G		Bolt M6x55mm	x2
H		Bolt M6x35mm	x12
I		Bolt M6x20mm	x8
J		Center Plastic Cover	x24
K		Flat Washer	x20

### Component:



1	Short Board	x2	2	Long Board	x2	3	Leg	x4	4	Stretcher	x1
5	Center Rail	x2	6	Support Leg	x6	7	Slat	x36			

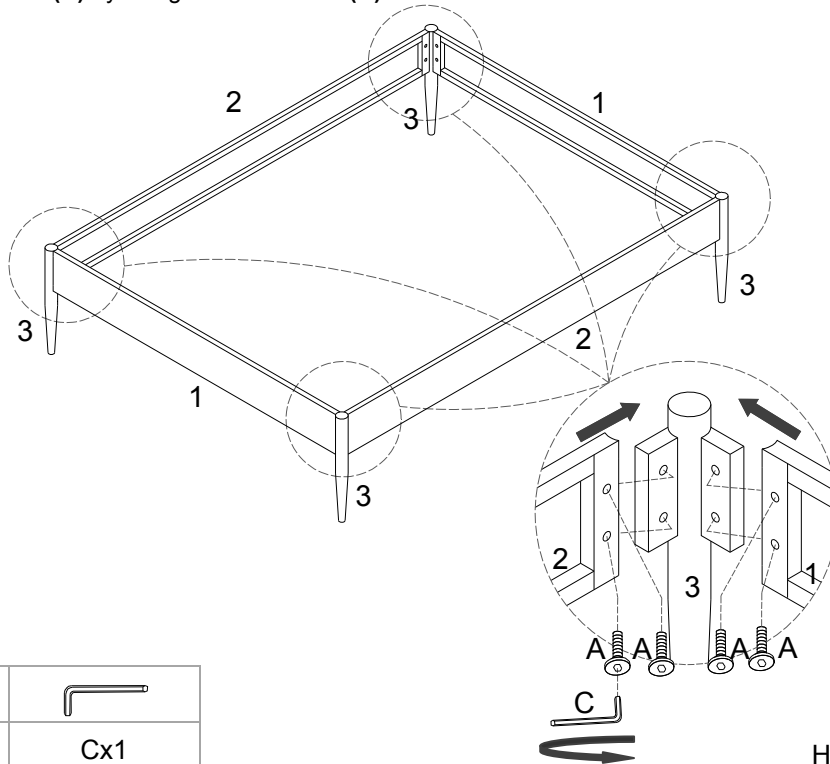
## STEP 1:

Inert the end of **Leg (3)** into **Short Board (1)** and **Long Board (2)** as shown.

Secure by using 4 pieces of **Short Bolt (A)**, do not fully tighten **Short Bolts (A)** by using **Allen Wrench (C)** at this step.

Repeat the same steps for the remaining 3 pieces of **Leg (3)**.

Tighten all **Short Bolts (A)** by using **Allen Wrench (C)** clockwise until secure.



Hardware & Tool required

## STEP 2:

Place 2 piece of **Support Leg (6)** under **Center Rail (5)** as shown.

Insert 4 pieces of **Bolt (H)** through the holes on **Center Rail (5)** into the holes on **Support Leg (6)** as shown.

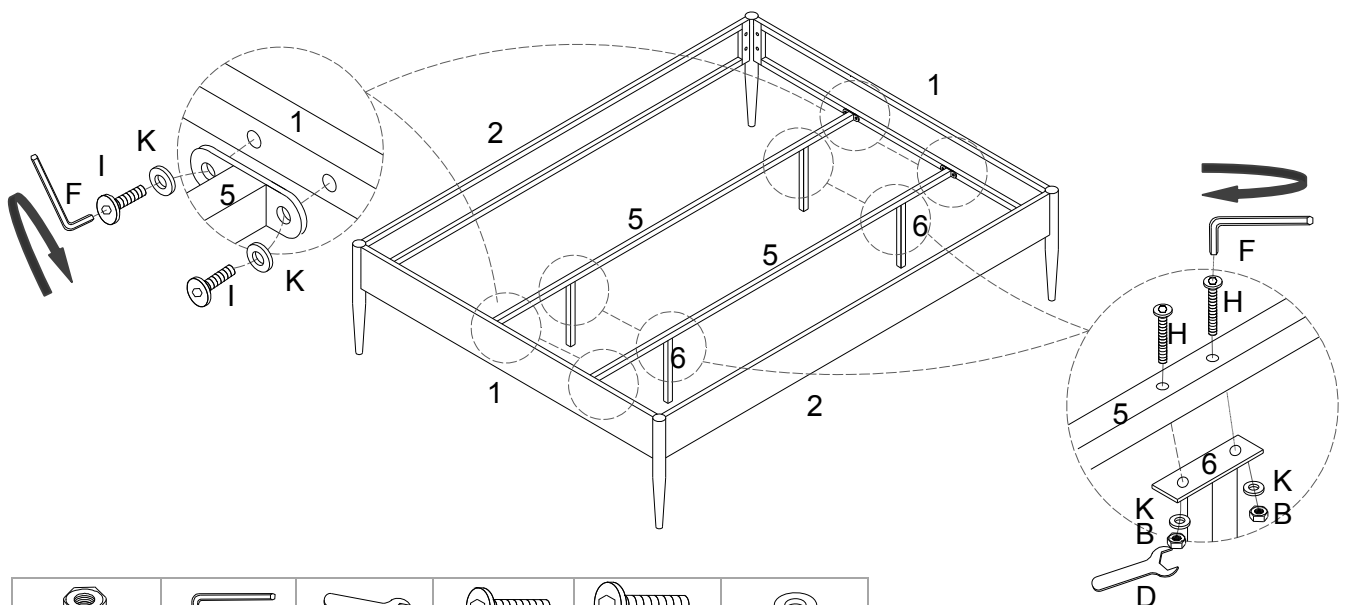
Tighten **Bolts (H)** with 4 piece of **Nut (B)/Flat Washer (K)** by using **Allen Wrench (F)** and **Open Wrench (D)** until Secure.

Repeat the same steps for the remaining **Center Rail (5)** and **Support Legs (6)**.

Secure the end of **Center Rail (5)** by using 4 pieces of **Bolt (I)** with 4 pieces of **Flat Washer (K)** as shown.

Tighten **Bolts (H)** by using **Allen Wrench (F)** clockwise until Secure.

Repeat the same steps for remaining assembled **Center Rail (5)**.



Hardware & Tool required

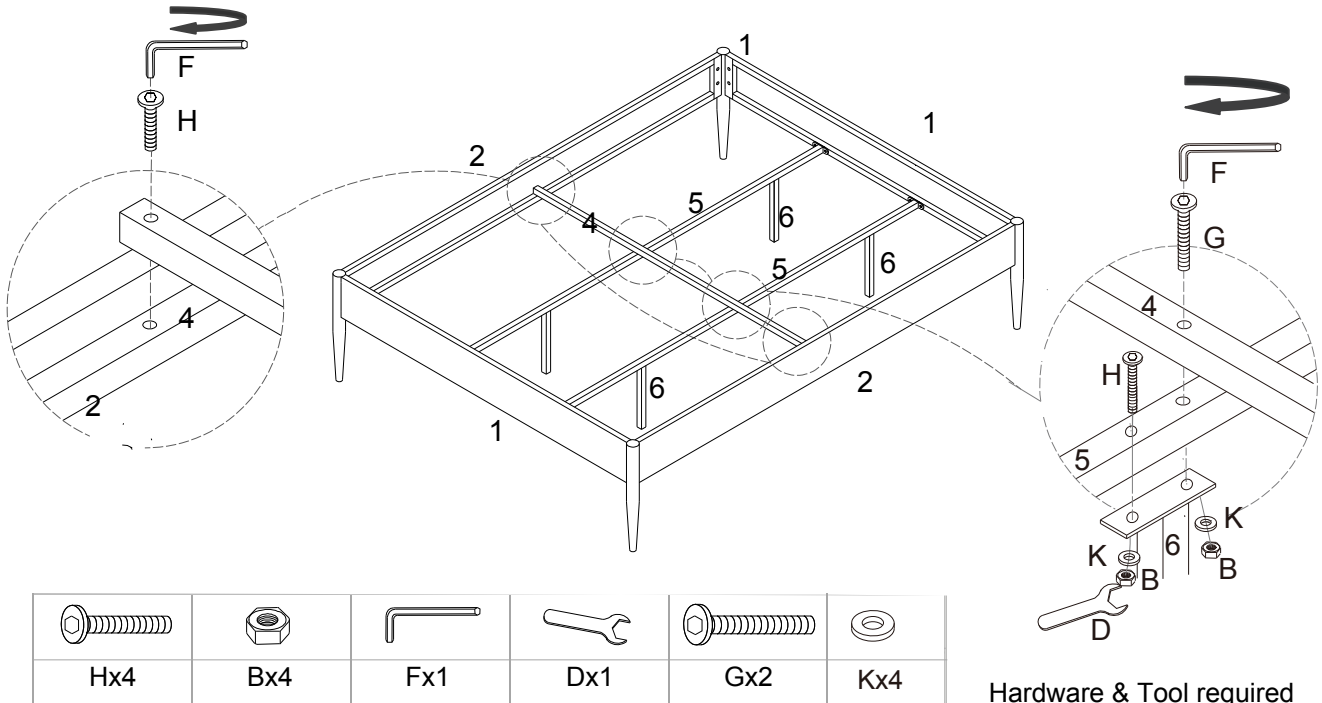
### STEP 3:

Place **Stretcher (4)** to the assembled **Long Board (2)** and the assembled **Center Rail (5)** as shown.

Secure the end of **Stretcher (4)** by using 2 pieces of **Bolt (H)** as shown.

Secure the middle of **Stretcher (4)** and 2 pieces of **Support leg (6)** by using 2 pieces of **Bolt (G)**/2 pieces of **Bolt(H)**/4 pieces of **Flat Washer(K)** and 4 pieces of **Nut (B)** as shown.

Tighten **Bolts (H)** by using **Allen Wrench (F)** clockwise until secure.



### STEP 4:

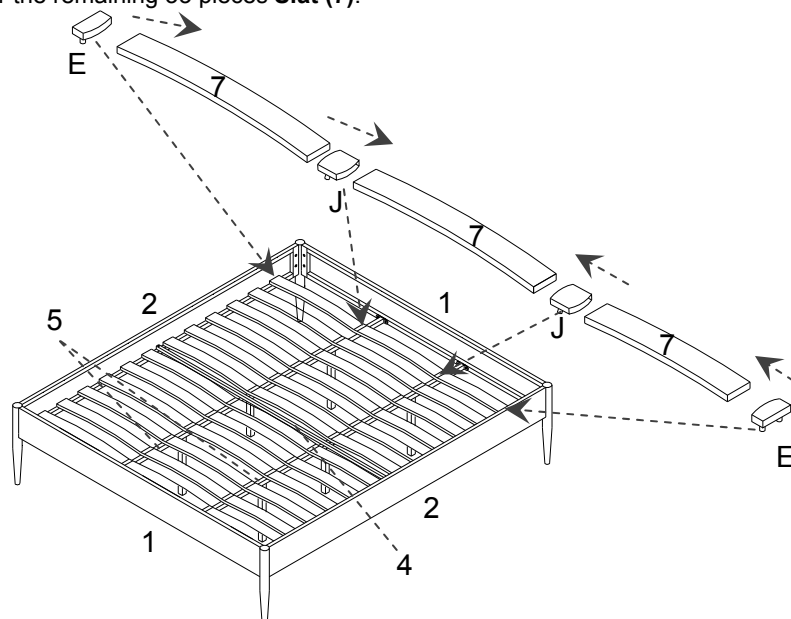
Insert 2 piece of **Center Plastic Cover (J)** into the end of 1 piece of **Slat (7)** as shown.

Insert one end of 2 pieces of **Slats (7)** into the 2 pieces of **Center Plastic Cover (J)** as shown.

Insert 2 pieces of **Side Plastic Cover (E)** into the remaining end of 2 pieces of **Slat (7)** as shown.

Insert the assembled **Side Plastic Covers (E)** into the corresponding holes on **Long Board (2)**, and the assembled **Center Plastic Covers (J)** into the corresponding holes on **Center Rail (5)** as shown.

Repeat the same steps for the remaining 33 pieces **Slat (7)**.



Assembly is complete. Your bed frame is ready to be enjoyed now!

Ex24	Jx24

Hardware & Tool required