

Frigidaire



Microwave Combination Wall Oven

30" Electric Microwave Combination Oven with Fan Convection

FCWM3027AS, FCWM3027AB, FCWM3027AD

Available Colors : Stainless Steel, Black, Black Stainless Steel

Version : 02/22

Cooking Controls

| | |
|---------------------|-----|
| Bake | Yes |
| Bake Time | Yes |
| Broil | Yes |
| Cancel | Yes |
| Clock | Yes |
| Convection Bake | Yes |
| Cook Time | Yes |
| Delay Start | Yes |
| Kitchen Timer | Yes |
| Light | Yes |
| Off | Yes |
| Oven Light | Yes |
| Preheat | Yes |
| Self Clean | Yes |
| Start | Yes |
| Temperature Display | Yes |
| Timer On / Off | Yes |

Cooking Controls Function

| | |
|---|-----|
| Change between Continuous Bake Setting or 12-Hour Energy Saving Feature | Yes |
| Program Fahrenheit or Celsius | Yes |
| Silent Control Panel | Yes |

Oven

| | |
|---------------------------|----------------|
| Bake Element | 2,600 Watts |
| Bake Element Pass | 4 |
| Bake Element Type | Hidden |
| Broil Element | 4,000 Watts |
| Broil Element Pass | 6 |
| Cleaning System | Yes |
| Convection | Yes |
| Convection Type | Fan |
| Number of Convection Fans | 1 |
| Number of Rack Positions | 6 |
| Oven Interior Color | Midnight Black |

| | |
|----------------------|----------|
| Oven Light Quantity | 1 |
| Oven Light Type | Halogen |
| Oven Light Watts | 40 Watts |
| Rack Position Type | Embossed |
| Rack Type 1 | Flat |
| Rack Type 1 Quantity | 2 |

Microwave Cooking

| | |
|-------------------------|------------|
| Microwave Cooking Power | 1100 Watts |
| Auto Cook | Yes |
| Beverage | Yes |
| Defrost | Yes |
| Melt / Soften | Yes |
| Popcorn | Yes |
| Potato | Yes |
| Reheat | Yes |
| Sensor Cooking | Yes |
| Veggies | Yes |

Controls

| | |
|--------------|-----|
| Control Lock | Yes |
| Sabbath Mode | Yes |

Microwave Control Features

| | |
|--------------|-----|
| + 30 Seconds | Yes |
|--------------|-----|

Display

| | |
|-------------------------|----------|
| Control Location | Front |
| Display Interface Color | White |
| Display Light Color | White |
| Display Type | Membrane |

Exterior

| | |
|------------|-----------------|
| Door Swing | Side-Swing Door |
|------------|-----------------|

Internal Specifications

Note: For planning purposes only. Always consult local and national electric, gas and plumbing codes.

Refer to Product Installation Guide for detailed installation instructions on the web at frigidaire.com / frigidaire.ca

Specifications subject to change. Accessories information available on the web at frigidaire.com / frigidaire.ca

USA • 10200 David Taylor Drive • Charlotte, NC 28262 • 1-800-FRIGIDAIRE • frigidaire.com

CANADA • 5855 Terry Fox Way • Mississauga, ON L5V 3E4 • 1-800-265-8352 • frigidaire.ca

Frigidaire

30" Electric Microwave Combination Oven with Fan Convection

FCWM3027AS, FCWM3027AB, FCWM3027AD

Version : 02/22

| | |
|-------------------------|----------|
| Interior Color | White |
| Interior Light Quantity | 1 |
| Interior Light Type | Halogen |
| Interior Light Wattage | 25 Watts |
| Rack | Yes |
| Turntable Diameter | 13 1/2" |
| Turntable Material | Glass |

Safety Certifications and Approvals

| | |
|------------|-----|
| CSA Listed | Yes |
| UL Listed | Yes |
| RoHS | Yes |

Accessories

| | |
|-------------------------------|---|
| Optional Trim Kit Part Number | WOMC3TRIMSS, WOMC3TRIMDSS, WOMC3TRIMBLK |
|-------------------------------|---|

Dimensions and Volume

| | |
|---------------------------|-------------|
| Height | 42" |
| Width | 29 7/8" |
| Depth | 25 3/16" |
| Depth With Door 90° Open | 48 3/16" |
| Depth With Handle | 27 6/10" |
| Oven Interior Height | 18 1/8" |
| Oven Interior Width | 25 2/10" |
| Oven Interior Depth | 19 7/8" |
| Microwave Interior Height | 10 1/2" |
| Microwave Interior Width | 17 3/8" |
| Microwave Interior Depth | 18 5/8" |
| Minimum Cutout Height | 41 1/4" |
| Minimum Cutout Width | 28 1/2" |
| Maximum Cutout Height | 42 1/8" |
| Maximum Cutout Width | 28 3/4" |
| Microwave Capacity | 1.6 Cu. Ft. |
| Oven Capacity | 5.3 Cu. Ft. |

Electrical Specifications

| | |
|--------------------------|---------|
| Amps @ 240 Volts | 40 Amps |
| Connected Load @ 240V | 7.9 kW |
| Minimum Circuit Required | 40 Amps |
| Voltage Rating | 240 V |

Installation

| | |
|----------------------------------|----------|
| Power Supply Connection Location | Top Left |
|----------------------------------|----------|

General Specifications

| | |
|------------------------|--------|
| Prop 65 Label | Yes |
| Warranty - Labor | 1 Year |
| Warranty - Parts | 1 Year |
| Frigidaire Fit Promise | No |

Certifications and Approvals

| | |
|----------------------|-----|
| Star-K Certification | Yes |
|----------------------|-----|

Note: For planning purposes only. Always consult local and national electric, gas and plumbing codes.

Refer to Product Installation Guide for detailed installation instructions on the web at frigidaire.com / frigidaire.ca

Specifications subject to change. Accessories information available on the web at frigidaire.com / frigidaire.ca

USA • 10200 David Taylor Drive • Charlotte, NC 28262 • 1-800-FRIGIDAIRE • frigidaire.com

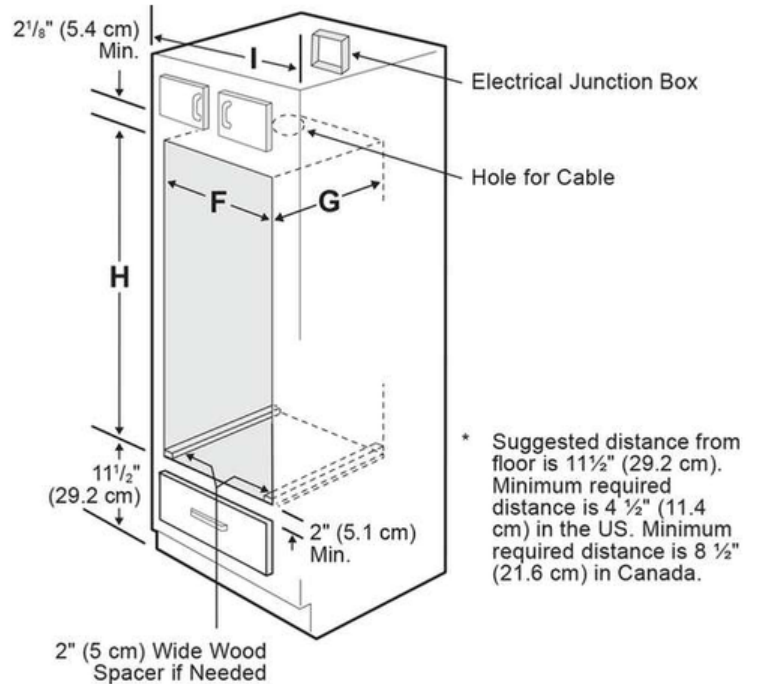
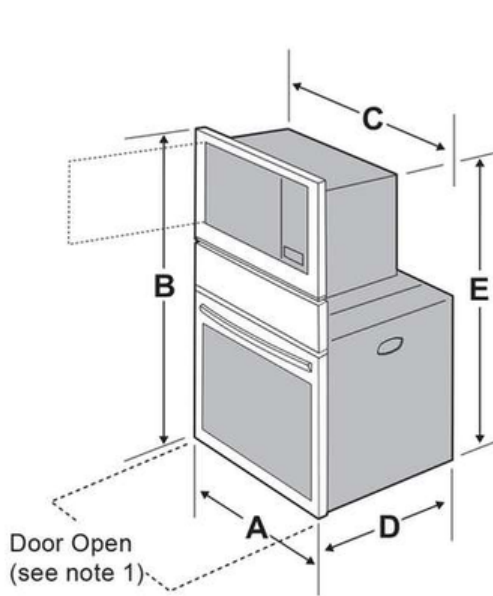
CANADA • 5855 Terry Fox Way • Mississauga, ON L5V 3E4 • 1-800-265-8352 • frigidaire.ca

Frigidaire

30" Electric Microwave Combination Oven with Fan Convection

FCWM3027AS, FCWM3027AB, FCWM3027AD

Version : 02/22



NOTES:

1. Allow at least 22" (55.9cm) clearance in front of oven for door depth when it is open.
2. Dimension G (cutout depth) is critical to the proper installation of the built-in oven. If the oven decorative trim does not butt against the cabinet verify dimension G to assure it is the required depth.
3. For a cutout height greater than the maximum (H), add one 2" (5 cm) wide wood shim of appropriate height to each side of the opening under the appliance side rails. A trim kit may be purchased through a dealer, service, or on the brand website.

| PRODUCT DIMENSIONS | | | | | |
|---|---|--|--|--|---|
| A | B | C | D | | E |
| 30" (76.2 cm) | 42" (106.6 cm) | 28 ⁷ / ₁₆ " (72.2 cm) | 25 ³ / ₁₆ " (63.9 cm) | | 41 ¹ / ₈ " (104.6 cm) |
| CUTOUT DIMENSIONS AND CABINET WIDTH | | | | | |
| F | | G. Min. | H | | I |
| Min. | Max. | | Min. | Max. | |
| 28 ¹ / ₂ " (72.4 cm) | 28 ³ / ₄ " (72.9 cm) | 23 ⁵ / ₈ " (60.0 cm) | 41 ¹ / ₄ " (104.6 cm) | 42 ¹ / ₈ " (107.0 cm) | 30 ¹ / ₈ " (76.5 cm) Min |

Note: For planning purposes only. Always consult local and national electric, gas and plumbing codes.

Refer to Product Installation Guide for detailed installation instructions on the web at frigidaire.com / frigidaire.ca

Specifications subject to change. Accessories information available on the web at frigidaire.com / frigidaire.ca

USA • 10200 David Taylor Drive • Charlotte, NC 28262 • 1-800-FRIGIDAIRE • frigidaire.com

CANADA • 5855 Terry Fox Way • Mississauga, ON L5V 3E4 • 1-800-265-8352 • frigidaire.ca