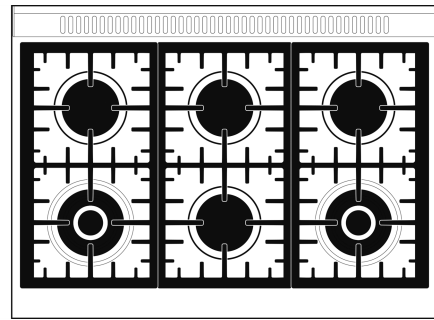


Professional Range 36"

SPR36UGMX
Stainless steel
Dual-Fuel



Cooktop technical features

Cooking zones	6
Front-left	18000 BTU
Rear-left	10000 BTU
Front-center	10000 BTU
Rear-center	10000 BTU
Front-right	18000 BTU
Rear-right	10000 BTU

Aesthetic

Series	Professional
Color	Stainless steel

General information

Range size	36"
Range type	Dual-Fuel

Features

- Touch control** - Easy and intuitive timer setting with a single touch
- Tangential cooling** - New cooling system with tangential fan and airflow from the door to the splashback
- True-convection** - The best cooking performances guaranteed by ventilated circular flow.
- Gas hob** - Gas provides permanent control of the heat source and the temperature change is immediate

Programs / Functions

Cleaning functions	VaporClean
No. of cooking functions	8

Main oven options

Minimum Temperature	149 °F
Maximum temperature	500 °F

Main Oven Technical Features

Volume	4.45 cu. ft.
Cavity material	EverClean enamel
No. of shelves	5
Removable inner door	Yes
Total no. of door glasses	3
Soft Close system	Yes

Included accessories

Oven wire rack 2

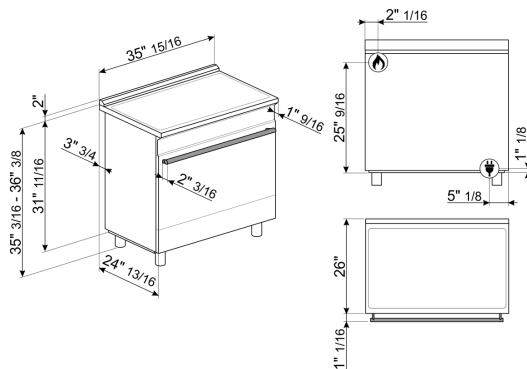
Electrical Connection

Circuit breaker 20 A
 Voltage 208/240 V
 Frequency 60 Hz

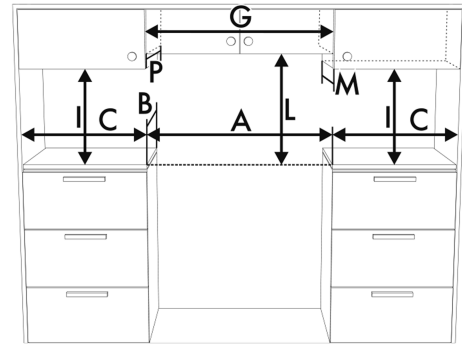
Logistic Information

Width 35 7/8 "
 Depth 26 "
 Height 35 3/16 "
 Net weight 238 lbs

Product dimension drawing



Product installation drawing



A	24"	610 mm
B	25"	630 mm
C ¹	5 7/8"	150 mm
G ²	24"	610 mm
I ³	18"	457 mm
L	see user manual	
M ⁴	13"	330 mm
P ⁴	13"	330 mm

Accessories



GRM
 Coffee machine support



GT3T
 Total-extraction telescopic guides



KITTKSPR36
 Plinth, 3 sides, 900mm, SPR cookers 30", black



WOKGHU
 Cast-iron wok support