

PRODUCT SPECIFICATIONS

- OVERALL ASSEMBLED DIMENSIONS**
HEIGHT: 53.8 CM (21-3/16"), WIDTH: 30.5 CM (12") DIA.
- 1 LIGHT:** UL LISTED, 100 WATT, MEDIUM BASE E-26 CERAMIC SOCKET. ON/OFF PULL CHAIN SWITCH LOCATED AS SHOWN.
- CHAIN:** PAINTED STEEL, 3.8 MM THICKNESS, 305 CM (10 FT.) MIN. LENGTH.
- CORD:** UL APPROVED FOR WET LOCATION, MIN 457 CM (15 FT.) LENGTH, 18 AWG., 3 CONDUCTORS, 105°C, TYPE JIT-W, WATER PROOF. BLACK COLOR. WIRES MUST BE LEAD FREE.
- GLASS DOME:** CLEAR GLASS, 10.3 CM (4") DIA. x 14.3 CM (5-5/8") HEIGHT, SHAPED AS SHOWN.
- GLASS DOME HOLDER:** PAINTED STEEL IN WHITE FINISH, 10.2 CM (4") DIA. MAX. x 8.3 CM (3-1/4") HEIGHT.
- SHADE:** TAN TEXTURED FABRIC SHADE, 14.6 CM (5-3/4") DIA. x 46.7 CM (18-3/8") HEIGHT. THE SHADE IS FIXED IN CAGE.
- CAGE:** PAINTED STEEL IN BLACK FINISH WITH PLASTIC RATTAN, 30.5 CM (12") DIA. MAX. x 48.3 CM (19") HEIGHT.
- LABELS:** UL AND CSA OR CUL, MANUFACTURING DATE, MODEL # AND COUNTRY OF ORIGIN LABEL PROVIDED. RELAMPING LABEL FOR 100 WATT MAX. TYPE "A" BULB PROVIDED ON SOCKET.

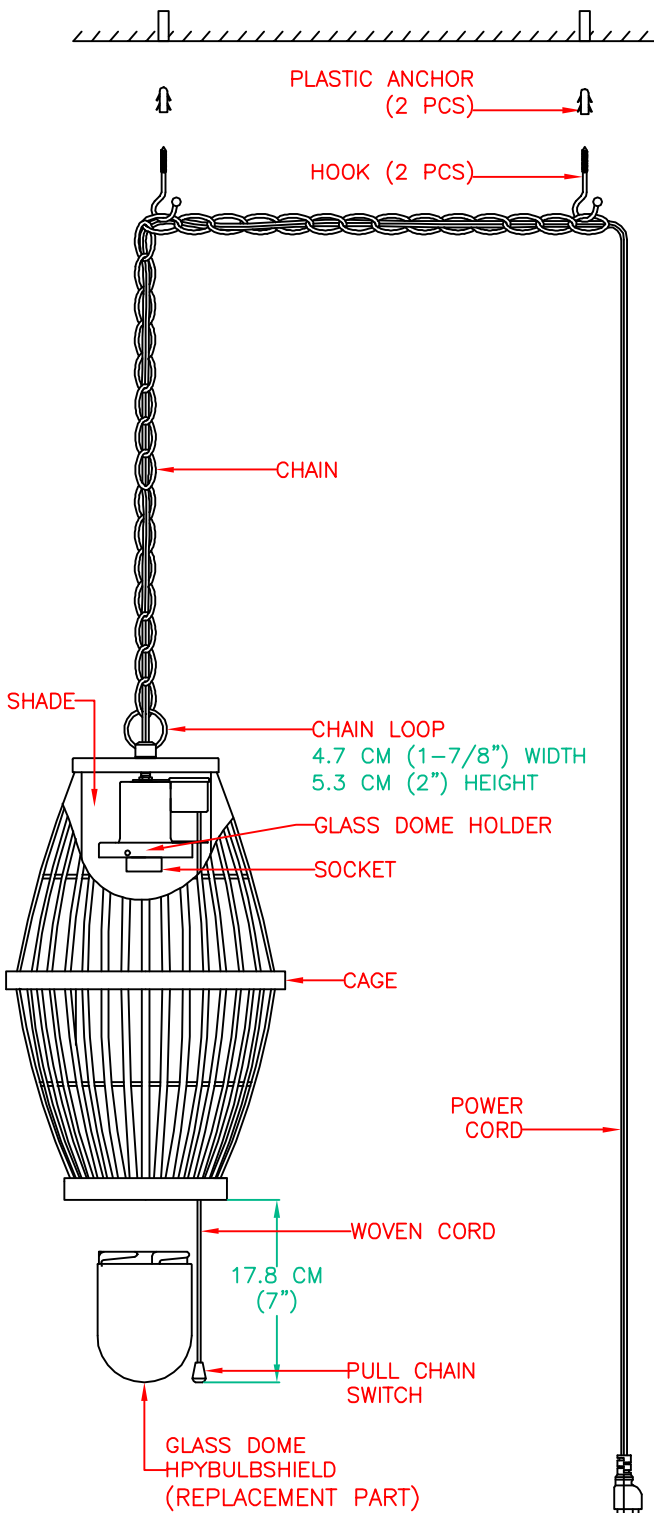
PACKAGING AND SHIPPING DETAILS

- THE LAMP IS ASSEMBLED FOR SHIPPING. THE WHOLE LAMP IS CAREFULLY WRAPPED IN A PLASTIC BAG AND PLACED SECURELY IN THE INNER PACKING SO IT CAN NOT MOVE AROUND DURING SHIPPING. A SMALL BAG OF SILICA IS INCLUDED IN THE PACKAGE.
- (2) PLASTIC ANCHORS AND (2) HOOKS ARE PROVIDED. ALL PARTS SHOULD BE SECURED SO THEY CAN NOT MOVE DURING SHIPPING.
- THE CARTON IS MADE OF DOUBLE WALL, CORRUGATED CARDBOARD "A MA A". BROWN IN COLOR. THE INNER PACKING IS DIE-CUT CARDBOARD OR STYROFOAM TO PROTECT AND SECURE THE FIXTURE AND MUST PASS THE FEDEX AND ISTA-3A DROP TEST REQUIREMENTS.
- EACH CARTON SHALL BE PRINTED WITH A LINE DRAWING AND THE HOME DECOTATORS COLLECTION NAME AND LOGO, MODEL NUMBER, EACH CARTON SHALL BE PROVIDED A LABEL FROM HOME DEC. FOR DIRECT CONTAINER PO., EACH CARTON SHALL BE PROVIDED A UPC LABEL FOR WAREHOUSE PO., THE UPC BAR CODE AS FOLLOWS: RAT=053392084998.

OTHER DETAILS

- MODEL 93390RAT INSTRUCTIONS ARE TO BE PACKED WITH EACH LAMP. INSTRUCTIONS MUST BE PRINTED CLEARLY ON QUALITY PAPER.
- ALL BAGS MUST BE LABELED WITH OFFICIAL "THIS BAG IS NOT A TOY" STATEMENT.
- THE UL NUMBER IS E330024.
- ASSEMBLY TIME: 5 MINUTES.
- DIMS OF BOX: 34.3 CM (13-1/2") LENGTH x 34.3 CM (13-1/2") WIDTH x 58.4 CM (23") HEIGHT. (CUFT.: 2.43')
- NET WEIGHT: 6.4 LBS. GROSS WEIGHT: 8.1 LBS.
- A warning label as below should be stuck on glass dome.

"Stay Safe! - Using this lamp without this intact glass bulb shield installed properly is improper use and could create an electrical hazard or safety issue."



AVAILABLE PART IS:
HPYBULBSHIELD (GLASS DOME)

**KENROY
HOME**

3723 Regent Boulevard
JACKSONVILLE, FL. 32224
PHONE: 904-642-4340
FAX: 904-642-4150

THIS DOCUMENT AND THE INFORMATION THAT IT DISCLOSES IS THE EXCLUSIVE PROPERTY OF KENROY HOME. ANY REPRODUCTION OR USE OF THIS DRAWING IN PART OR IN WHOLE, WITHOUT THE EXPRESS CONSENT OF THE PROPRIETOR IS PROHIBITED. © 2013 KENROY HOME.

DATE: 4/12/2013

SCALE: NONE

DRAWN BY: JAMES

REFERENCE:
BISCAYNE 1 LIGHT PENDANT

REVISION DATE:

REVISION DATE:

REVISION DATE:

REVISION DATE:

MODEL #:

93390RAT

FINISHES:

BLACK

PAGE: 1 OF: 1

MODEL: 93390RAT
PACKING DIAGRAM

