

24" Compact Washer

500 Series Washer with Home Connect® – WAW285H1UC



WAW285H1UC
White

The 500 Series laundry pair is recognized as **ENERGY STAR® Most Efficient of 2020** and offers fast wash and dry cycles.

Features & Benefits

The Bosch 500 Series Washer with Home Connect® can be operated from anywhere.

AquaShield® hose provides protection against water damage.

EcoSilence™ motor delivers quiet, efficient and long lasting performance.

SpeedPerfect® provides up to 40% faster washing time.*

At 2.2 cu. ft. Bosch washers are compact in size without sacrificing capacity so you can fit a variety of loads.

General Properties

| | |
|--------------------------------|---|
| Tub material | Stainless Steel |
| Maximum spin speed (rpm) | 1,400 |
| Interior light | No |
| Leak protection systems | AquaShield® Hose |
| Internal water heater | Yes |
| Stackable | Yes with Stacking Kit Accessory |
| Silence level – washing (dBA) | 52 |
| Silence level – spinning (dBA) | 72 |
| Programs (No.), [Special] | (14), [Mix, Outdoor / Sport] |
| Options (No.), [Special] | (10), [Remote Start, EcoPerfect™, Stains] |
| Energy consumption (kWh/yr) | 84 |
| Water consumption (gal/y) | 2,379 |
| ENERGY STAR® certified | Most Efficient of 2020 |

Capacity

| | |
|--------------------|-----|
| Capacity (cu. ft.) | 2.2 |
|--------------------|-----|

Design Elements

| | |
|--------------------------|----------------------|
| Door ring | Silver |
| Control type | Premium LED Touch |
| Dial | Illuminated jog dial |
| Bosch logo on door glass | Yes |



Technical Details

| | |
|------------------------|----------------------------|
| Watts (W) | 2,520 |
| Circuit breaker (A) | 15** |
| Volts (V) | 208/220-240 |
| Current (A) | 10.5 |
| Frequency (Hz) | 60 |
| Plug type | 240V; NEMA 6-15 (3 prong) |
| Power cord included | Yes |
| Power cord length (in) | 63 (Full Length) |
| Drain hose length (in) | 57 (Full Length) |
| Inlet hose length (in) | 59 (Full Length) |
| Door hinge | Left Side (Not Reversible) |

Dimensions & Weight

| | |
|---|-------------------------|
| Overall appliance dimensions (HxWxD) (in) | 33 1/4" x 23 1/2" x 25" |
| Net weight (lbs) | 160 |
| Minimum stack height (in) | 67 3/4" |

ADA compliance
– Meets ADA height and access requirements *when installed on pedestal*.
– Meets ADA operable parts requirements for controls and detergent dispenser.

Accessories

| | |
|---|------------|
| Short Stainless Steel Hose (If needed for plumbing box clearance with AQS hose) | P/N 645787 |
|---|------------|



WMZPW20W
Pedestal



WTZPA20UC
Power Adapter
(Included with Dryer)



WTZ11400UC
Stacking Kit with Shelf



WTZ20410UC
Stacking Kit without Shelf

*As compared to Perm Press Heavy Soil cycle without SpeedPerfect®

**Stated circuit breaker size is if the appliance is plugged into an individual 240/208V, 15A minimum branch circuit. Matching Dryer is supplied with a power adapter to fit into a standard 4-prong 30A Dryer receptacle (NEMA 14-30R) and power both Bosch Washer and Dryer.

Accessories: To purchase Bosch accessories, cleaners & parts please visit www.bosch-home.com/us/store or call 1-800-944-2904 (Mon to Fri 5 am to 6 pm PST, Sat 6 am to 3 pm PST).

Notes: All height, width and depth dimensions are shown in inches. BSH reserves the absolute and unrestricted right to change product materials and specifications, at any time, without notice. Consult the product's installation instructions for final dimensional data and other details prior to making cutout.

Warranties: Please see Use & Care manual or Bosch website for statement of limited warranty.

For more information on our entire line of products, go to www.bosch-home.com/us or call 1-800-944-2904

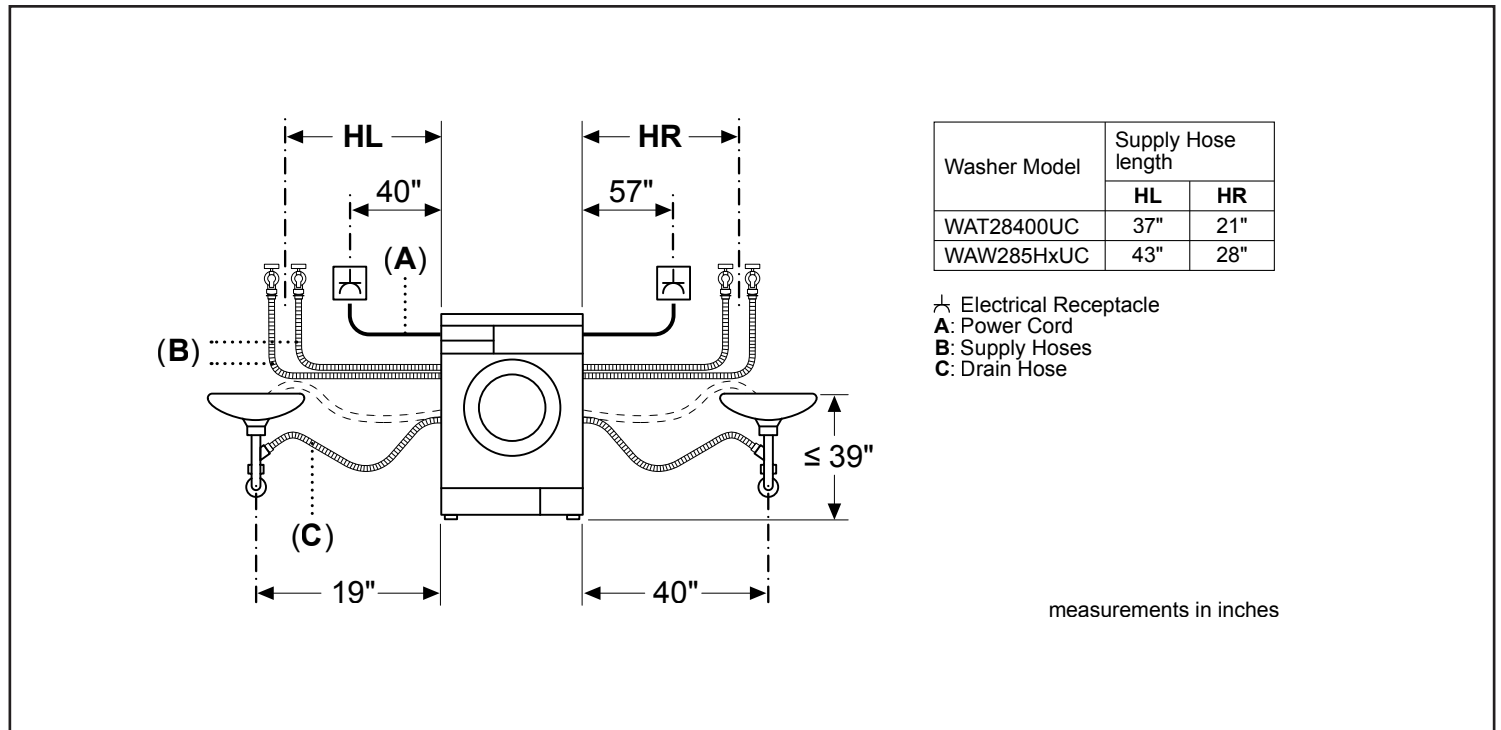
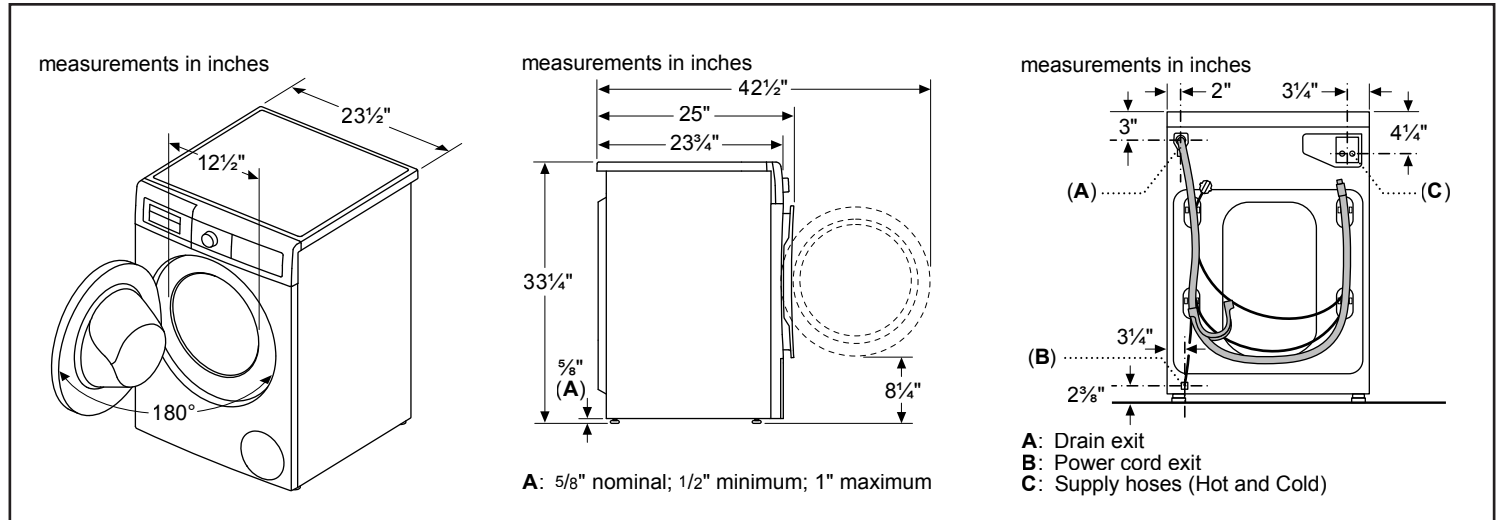
© BSH Home Appliances Corporation. All rights reserved. Bosch is a registered trademark of Robert Bosch GmbH.

24" Compact Washer

500 Series Washer with Home Connect® – WAW285H1UC



Installation Details



Accessories: To purchase Bosch accessories, cleaners & parts please visit www.bosch-home.com/us/store or call 1-800-944-2904 (Mon to Fri 5 am to 6 pm PST, Sat 6 am to 3 pm PST).

Notes: All height, width and depth dimensions are shown in inches. BSH reserves the absolute and unrestricted right to change product materials and specifications, at any time, without notice. Consult the product's installation instructions for final dimensional data and other details prior to making cutout.

Warranties: Please see Use & Care manual or Bosch website for statement of limited warranty.

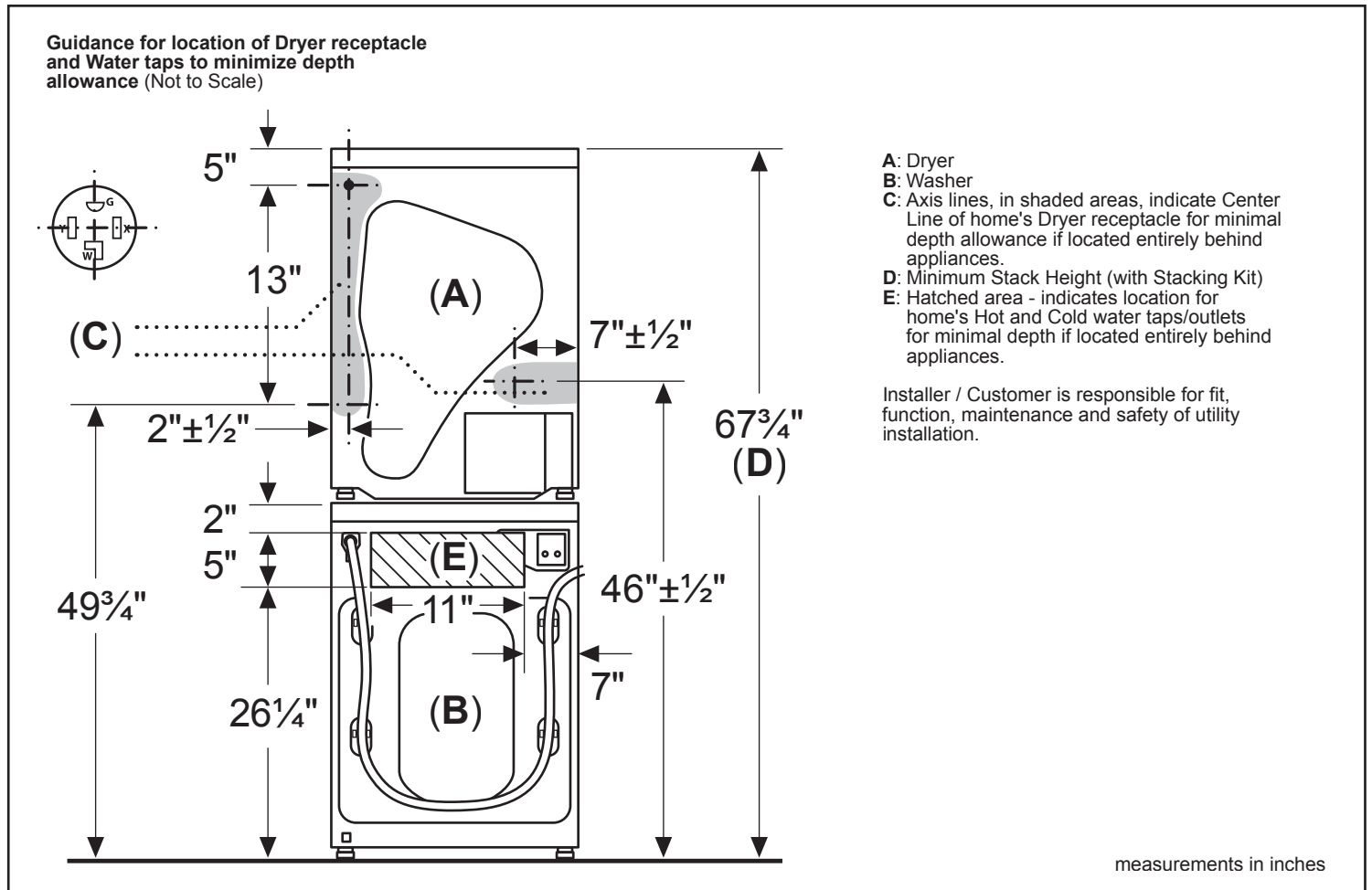
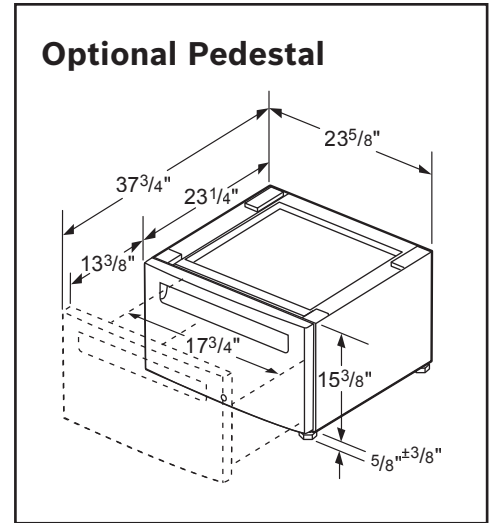
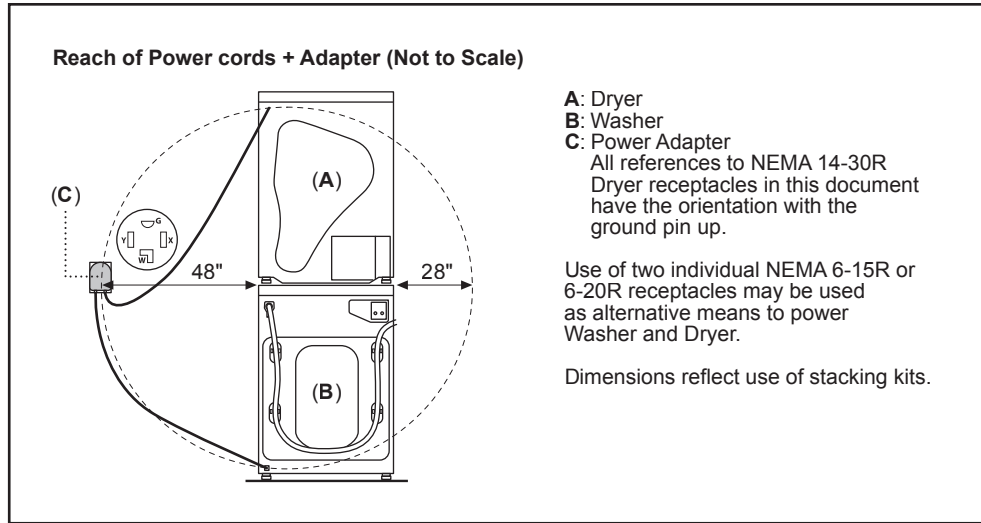
For more information on our entire line of products, go to www.bosch-home.com/us or call 1-800-944-2904

© BSH Home Appliances Corporation. All rights reserved. Bosch is a registered trademark of Robert Bosch GmbH.

24" Compact Washer

500 Series Washer with Home Connect® – WAW285H1UC

Installation Details



Accessories: To purchase Bosch accessories, cleaners & parts please visit www.bosch-home.com/us/store or call 1-800-944-2904 (Mon to Fri 5 am to 6 pm PST, Sat 6 am to 3 pm PST).

Notes: All height, width and depth dimensions are shown in inches. BSH reserves the absolute and unrestricted right to change product materials and specifications, at any time, without notice. Consult the product's installation instructions for final dimensional data and other details prior to making cutout.

Warranties: Please see Use & Care manual or Bosch website for statement of limited warranty.

For more information on our entire line of products, go to www.bosch-home.com/us or call 1-800-944-2904

© BSH Home Appliances Corporation. All rights reserved. Bosch is a registered trademark of Robert Bosch GmbH.

24" Compact Washer

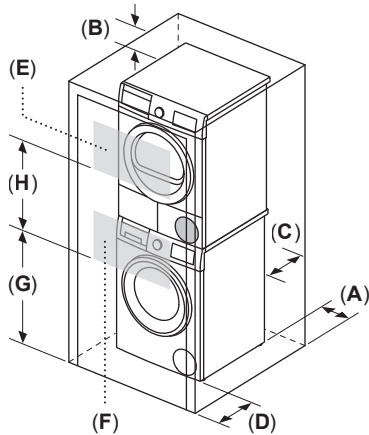
500 Series Washer with Home Connect® – WAW285H1UC



BOSCH
Invented for life

Installation Details

Closet: Stacked Washer and Condensing Dryer



Minimum clearance requirements
(Stacked, Stand Alone or Side by Side):

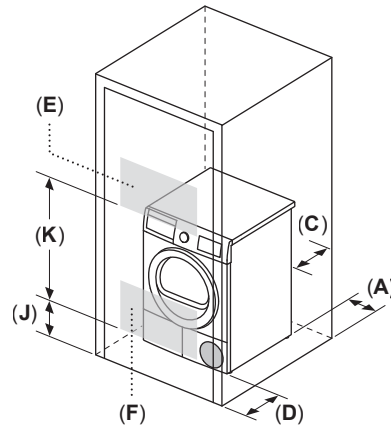
- A: Both sides (left and right) – 5/8"
- B: Top – 6 1/4"
- C: Rear – 2 1/2"
- D: Front – 2 1/2"

Minimum louvered area and spacing:

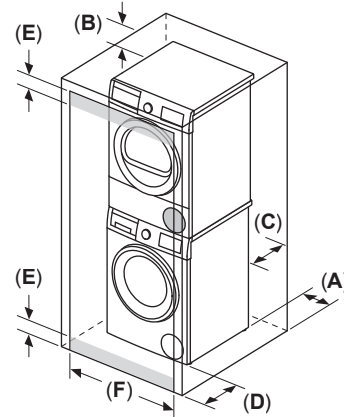
- E: Top louver area – 63 sq. in.
- F: Bottom louver area – 63 sq. in.
- G: Lower Height (stacked) – 37"
- H: Upper Height (stacked) – 26"
- J: Lower Height (stand alone) – 3"
- K: Upper Height (stand alone) – 29"

For shortest drying times keep closet door open while dryer is operating. When closet doors are closed, open areas only allow minimal drying results (expect long drying times).

Closet: Stand Alone (shown) or Side by Side



Closet: Stacked Washer with Heat Pump Dryer



Minimum clearance requirements
(Stacked, Stand Alone or Side by Side):

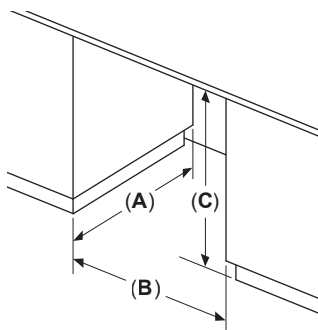
- A: Both sides (left and right) – 1/2"
- B: Top – 6 1/4"
- C: Rear – 3"
- D: Front – 1/2"

Minimum door undercut (louvered area):

- E: Undercut height (Top and Bottom) – 1 1/4"
Louvered areas of equal total sizes and split between upper and lower portions of door are permitted.
- F: Undercut width (Top and Bottom):
– 24" minimum for Stacked and Stand Alone
– 48" minimum for Side by Side

For shortest drying times keep closet door open while dryer is operating. When closet doors are closed, open areas only allow minimal drying results (expect long drying times).

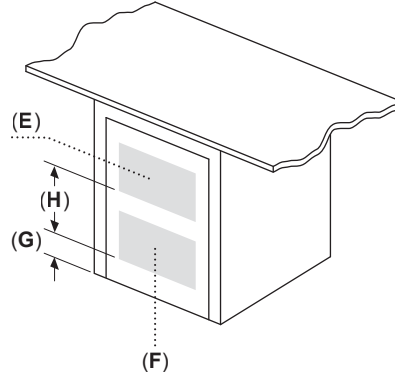
Under Counter (Preferred)



Minimum opening dimensions:

- A: Depth – 28"
 - B: Width – 23 3/8"
 - C: Height – 34 1/2"
- Front of appliance fully open.
No doors or coverings.

Under Counter Enclosed (Less Preferred)



If the front of the appliance is covered, louvered openings must be installed as shown and front/rear clearances adhered to according to closet installations.

Minimum louvered area and spacing:

- E: Top louver area – 63 sq. in.
- F: Bottom louver area – 63 sq. in.
- G: Lower Height – 3"
- H: Upper Height – 14"

For shortest drying times keep cabinet door open while dryer is operating. When cabinet door is closed, open areas only allow minimal drying results (expect long drying times).

measurements in inches

Accessories: To purchase Bosch accessories, cleaners & parts please visit www.bosch-home.com/us/store or call 1-800-944-2904 (Mon to Fri 5 am to 6 pm PST, Sat 6 am to 3 pm PST).

Notes: All height, width and depth dimensions are shown in inches. BSH reserves the absolute and unrestricted right to change product materials and specifications, at any time, without notice. Consult the product's installation instructions for final dimensional data and other details prior to making cutout.

Warranties: Please see Use & Care manual or Bosch website for statement of limited warranty.

For more information on our entire line of products, go to www.bosch-home.com/us or call 1-800-944-2904

© BSH Home Appliances Corporation. All rights reserved. Bosch is a registered trademark of Robert Bosch GmbH.