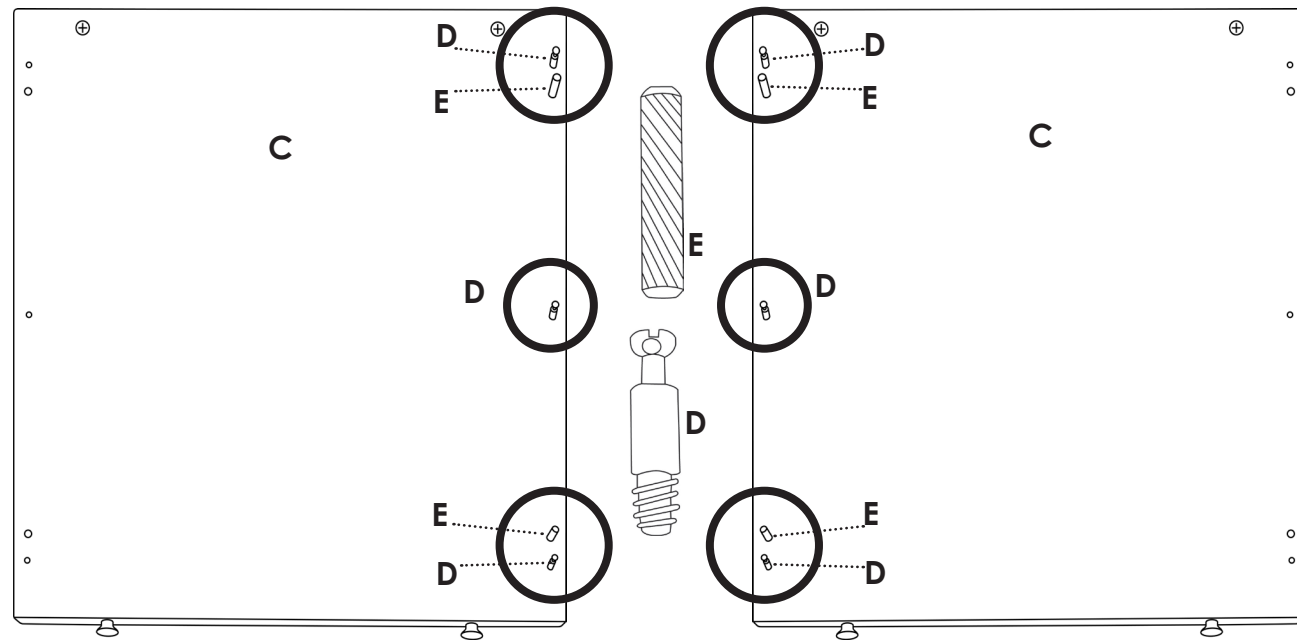


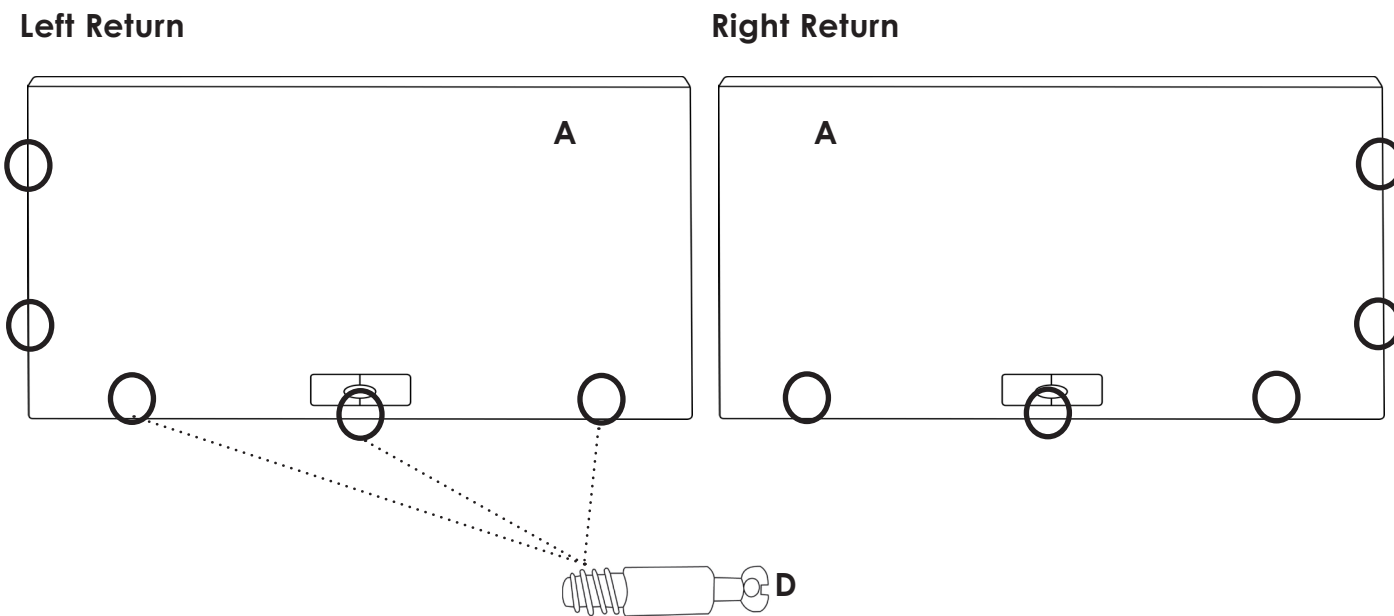
#	Part	Qty	Image	#	Part	Qty	Image
A	Top	1		G	Large Corner Bracket	1	
B	Modesty Panel	1		H	Small Corner Bracket	3	
C	Leg (Right or Left)	1		I	Wood Screw	48	
D	Cam Pin	8		J	Cap Cover	11	
E	Dowel Rod	2		K	Large Hole Cover	7	
F	Flat Bracket	2		L	Small Hole Cover	3	

Note: Decide Return orientation before assembly

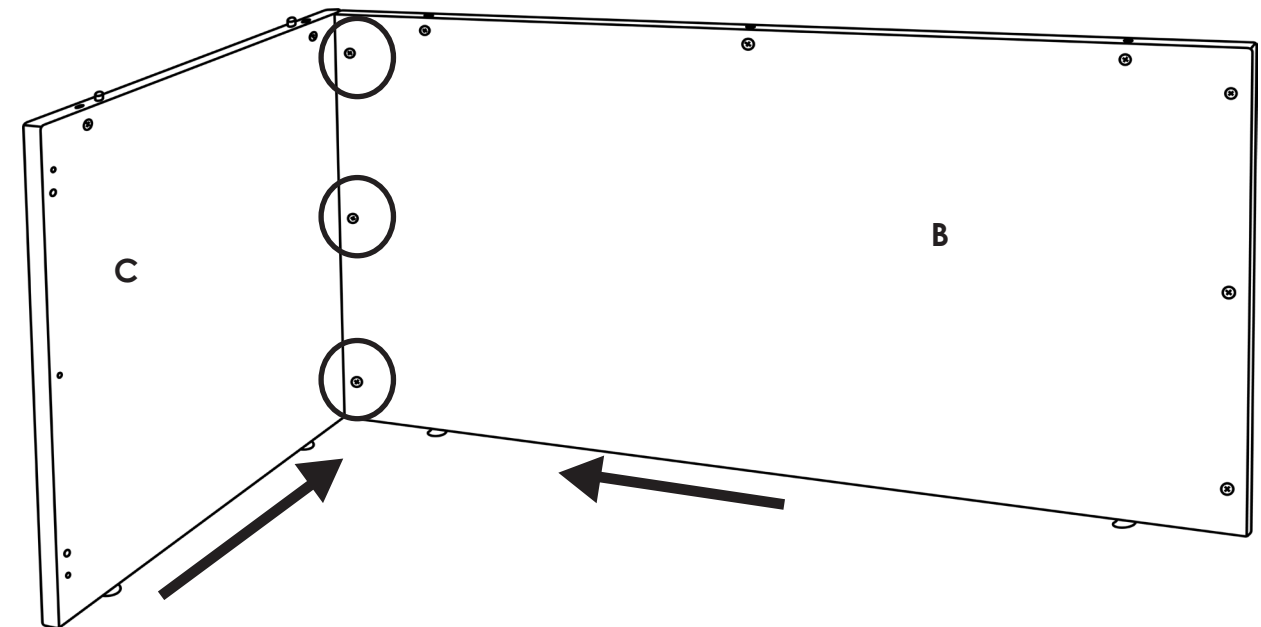
Step 1: Insert 3 Cam Pins (D) and 2 Dowel Rods (E) into Leg (C).
Important: Note placement of hardware for Left and Right Return orientations



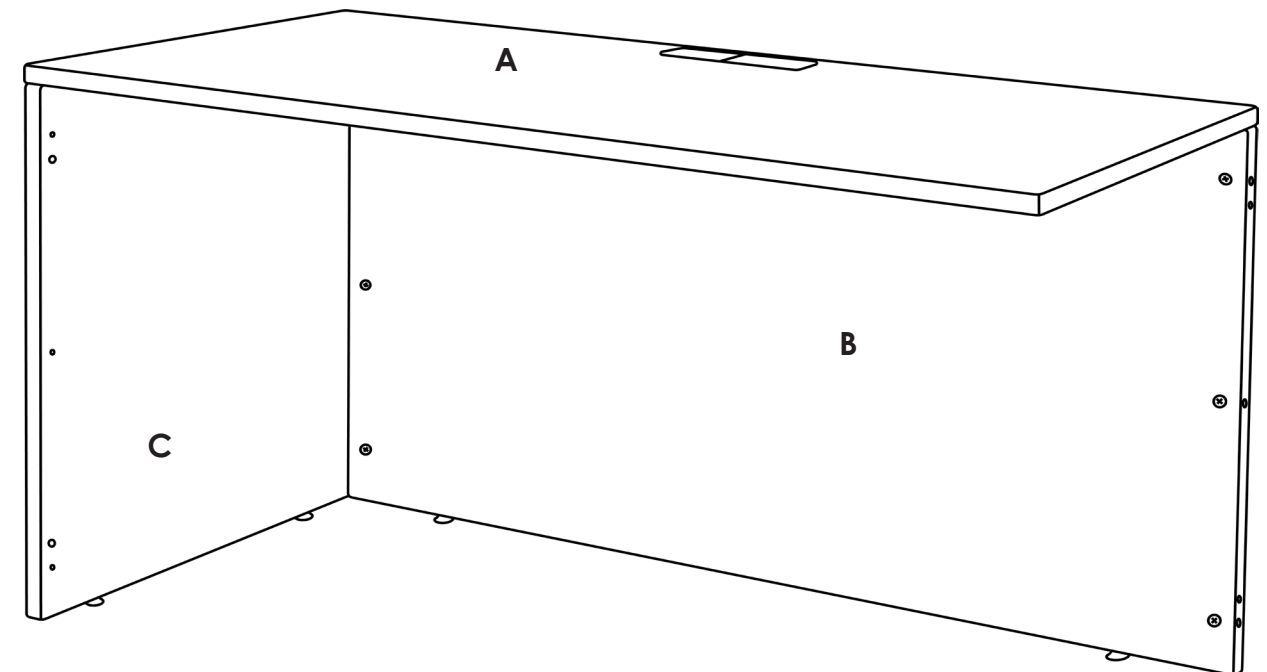
Step 2: Insert 5 Cam Pins (D) into Top (A).
Note: Orientation determines where Pins go.



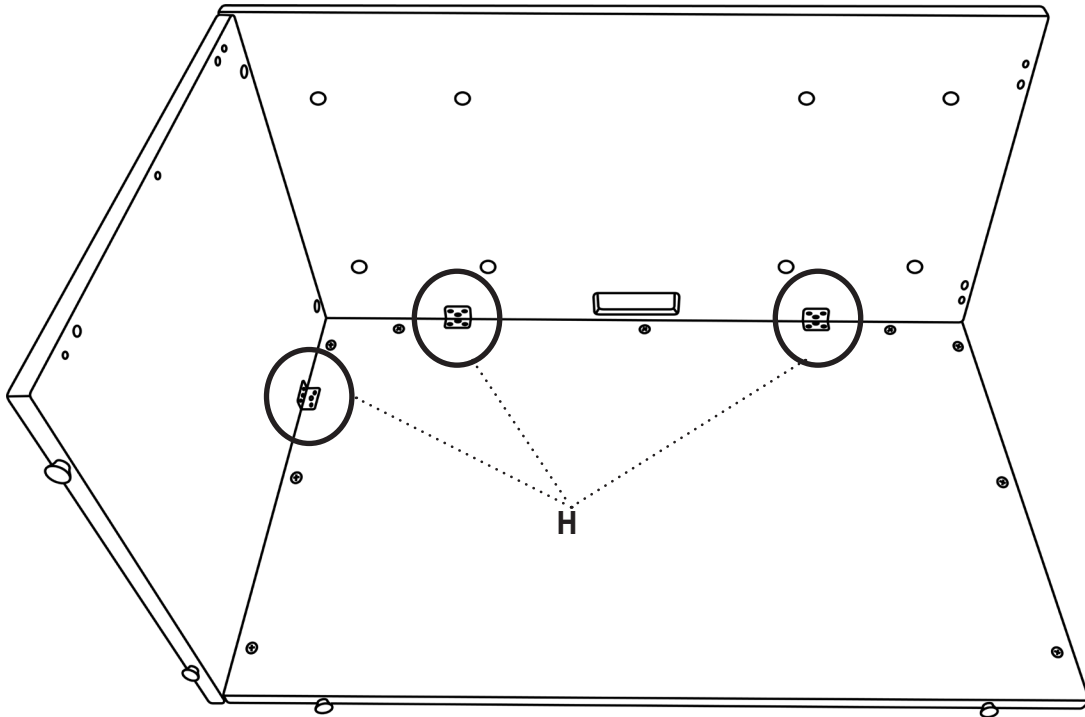
Step 3: Attach Leg (C) to Modesty Panel (B) by lining up Cam Pins and Dowel Rods with holes depending on orientation.
Secure by turning Cam Locks clockwise.



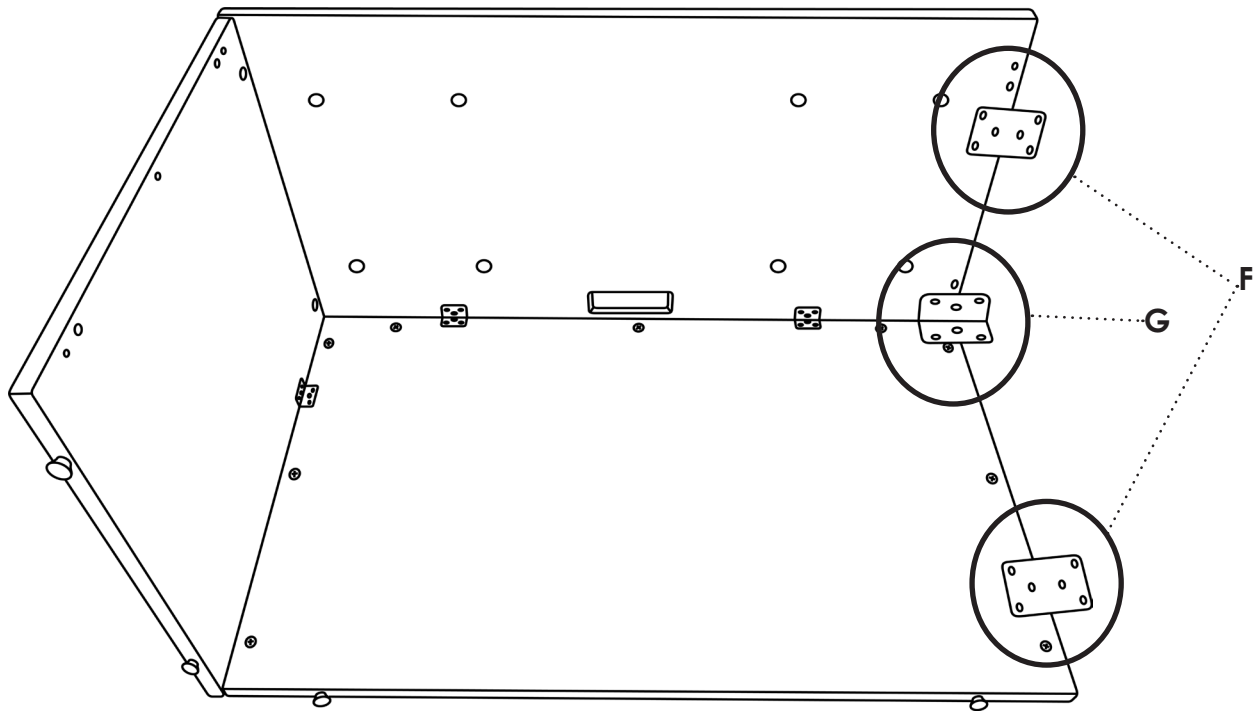
Step 4: Attach Top (A) to assembled base portion and secure by turning Cam Locks clockwise.



Step 5: Attach Small Corner Brackets (H) to assembled Return.



Step 6: Use Large Corner Bracket (G) and Flat Brackets (F) to attach Return to Desk.



Cover any visible Cam Locks and unused pre-drilled holes with Caps and Covers (J, K, L)