

REF24BMFX

REFRIGERATOR 24" FREESTANDING BOTTOM MOUNT
STAINLESS STEEL



Energy star

Surround Cooling System - Optimized airflow design with multiple vents on every shelf level for even temperature throughout entire refrigerator

Total No-Frost system: automated defrosting of evaporator ensures food stays always fresh

Full-width humidity-controlled crisper

Extra-large freezer drawer to store larger items and make best use of freezer space.

Fast freeze - 2 air vents in top freezer drawer accelerate temperature drop, helping lock vitamins and maintain flavors.

Chrome wine rack

Electronic LED touch interface

LED lighting

Flat front stainless steel doors with no-fingerprint surface treatment

Reversible doors for left or right swing configuration

Choose Professional or Master Series handle kit to match your other Bertazzoni kitchen appliances

2 year parts & labor warranty

For more information on this product or other Bertazzoni products please visit Bertazzoni.com

PRODUCT FEATURES

Style	Bottom mount
Finish	Stainless steel
User interface	Interior touch-control with LED screen (on top)
Lighting	LED
Refrigerator	3 shelves - 1 chrome wine rack
Refrigerator crispers	1 large size
Door storage	3 full-width bins Height adjustable
Freezer compartment	3 drawers
Ice maker	No
Programs	Temperature settings
Open door alarm	Yes

INTERIOR CAPACITY

Total volume	11.5 cu.ft
Refrigerator	7.9 cu.ft
Freezer	3.6 cu.ft

TECHNICAL SPECIFICATIONS

Voltage, Frequency, Amps	115V 60 Hz - 1.5 Amps 120W
DOE Compliant	Yes
Power connection	120V 3-prong plug with 72" cord
Warranty	2 years parts & labor
Packaging dimensions and weight	W 25" 15/32 H 77" 3/4 D 27" 7/32 Weight 184 lbs

ACCESSORIES

PROHK24BM	Handle kit for 24" & 31" bottom mount refrigerator - PROFESSIONAL SERIES
MASHK24BM	Handle kit for 24" & 31" bottom mount refrigerator - MASTER SERIES



REF24BMFX + PROHK24BM



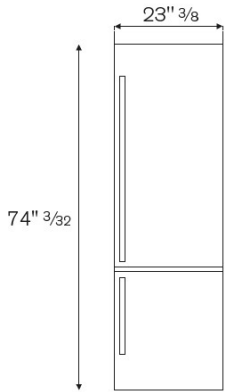
REF24BMFX + MASHK24BM

REF24BMFX

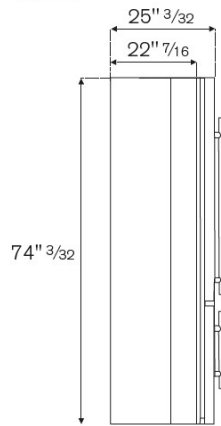
REFRIGERATOR 24" FREESTANDING BOTTOM MOUNT
STAINLESS STEEL



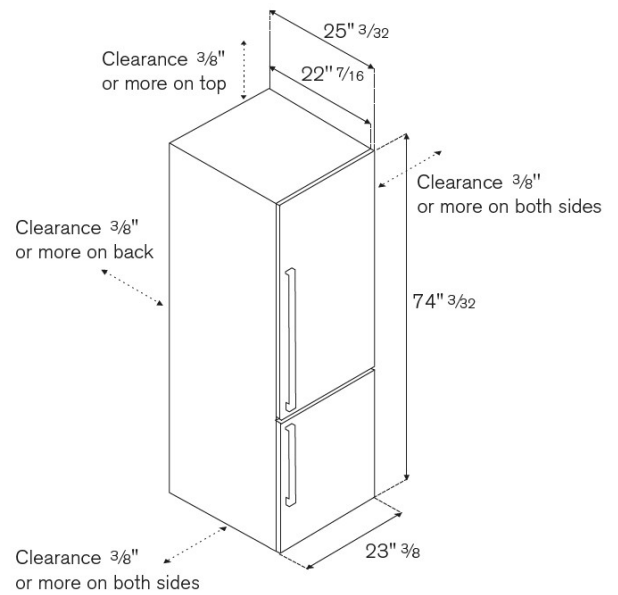
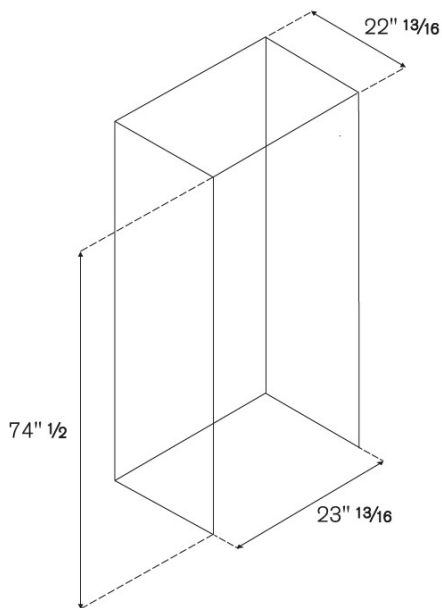
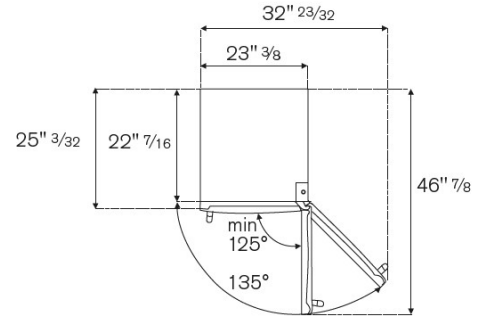
FRONT



SIDE



TOP



Disclaimer: while every effort has been made to ensure the accuracy of the information contained in this document, Fratelli Bertazzoni reserves the right to change any part of the information at any time without notice. For detailed installation specifications consult the instruction manual. Fratelli Bertazzoni, Bertazzoni and the winged wheel brand icon are registered trademarks of Bertazzoni Spa.