

# Installation Instructions

30", 36" and 48"

**Professional Vent Hood**

ZV48SSJSS, ZV36SSJSS, ZV30SSJSS,  
ZV48TSJSS, ZV36TSJSS, and ZV30TSJSS

31-11016-1

09-15 GE

[monogram.com](http://monogram.com)

Printed in Italy

**MONOGRAM**

# Safety Information

? "If you have questions, call 800.GE.CARES or visit our website at: GEAppliances.com"

## BEFORE YOU BEGIN

Read these instructions completely and carefully.

- **IMPORTANT** – Save these instructions for local inspector's use.
- **IMPORTANT** – Observe all governing codes and ordinances.
- **Note to Installer** – Be sure to leave these instructions with the Consumer.
- **Note to Consumer** – Keep these instructions with your Owner's Manual for future reference.
- **Skill level** – Installation of this appliance requires a qualified installer or electrician.
- Proper installation is the responsibility of the installer. Product failure due to improper installation is not covered under the warranty. See Owner's Manual for warranty information.

### ⚠ **WARNING:**

Improper grounding can result in a risk of electric shock.

Consult a qualified electrician if the grounding instructions are not completely understood, or if doubt exist as to whether the appliance is properly grounded.

For Monogram local service in your area, 1.800.444.1845.

For Monogram Service in Canada, call 1.800.561.3344.

For Monogram Parts and Accessories, call 1.800.626.2002.

If you received a damaged vent hood, you should contact your dealer.

### ⚠ **CAUTION:**

Due to the weight and size of these vent hoods and to reduce the risk of personal injury or damage to the product, **TWO PEOPLE ARE REQUIRED FOR PROPER INSTALLATION.**

### ⚠ **WARNING:**

To reduce the risk of fire or electrical shock, do not use this range hood with any external solid-state speed control device. Any such alteration from original factory wiring could result in damage to the unit and/or create an electrical safety hazard.

### ⚠ **WARNING:** TO REDUCE THE RISK OF FIRE, ELECTRIC SHOCK, OR INJURY TO PERSONS, OBSERVE THE FOLLOWING.

- Installation work and electrical wiring must be done by a qualified person(s) in accordance with all applicable codes and standards, including fire-rated construction.
- Sufficient air is needed for proper combustion and exhausting of gases through the flue (chimney) of fuel burning equipment to prevent back drafting. Follow the heating equipment manufacturer's guidelines and safety standards such as those published by the National Fire Protection Association (NFPA), and the American Society for Heating, Refrigeration and Air Conditioning Engineers (ASHRAE), and the local code authorities.
- When cutting or drilling into wall or ceiling, do not damage electrical wiring and other hidden utilities.
- Ducted fans must always be vented to the outdoors.

⚠ **CAUTION:** To reduce the risk of fire and to properly exhaust air, be sure to duct air outdoors. Do not vent exhaust air into spaces within walls or ceilings or into attics, crawl spaces or garages.

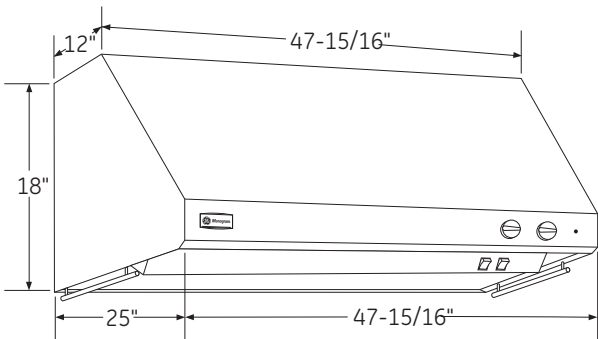
⚠ **WARNING:** TO REDUCE THE RISK OF FIRE, USE ONLY METAL DUCTWORK.

# Installation Instructions

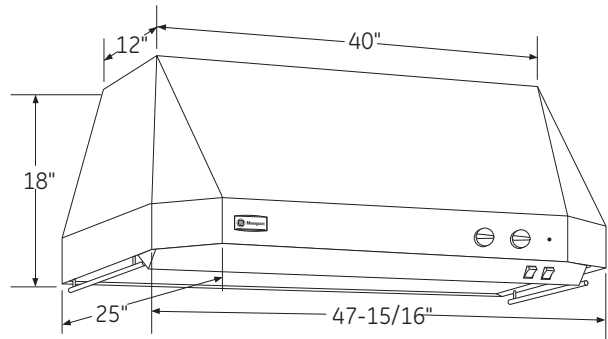
## CONTENTS

Product Dimensions .....	3	Step 1, Determine Ductwork and Wiring Locations .....	9
Parts Provided .....	4	Step 2A, Install Hood Onto Wall .....	12
Hardware Package .....	4	Step 2B, Install Hood To Soffit Or Beneath Cabinets .....	11
Tools and Materials Required .....	5	Step 3, Connect Ductwork .....	12
Installation Clearances .....	6	Step 4, Connect Electrical .....	12
Optional Duct Cover Accessories .....	6	Step 5, Install Duct Covers .....	12
Determine Installation Height, Duct Cover Accessories .....	7	Step 6, Install Filters .....	13
Advance Planning .....	8	Step 7, Install Implement Rods .....	13
Power Supply .....	8		

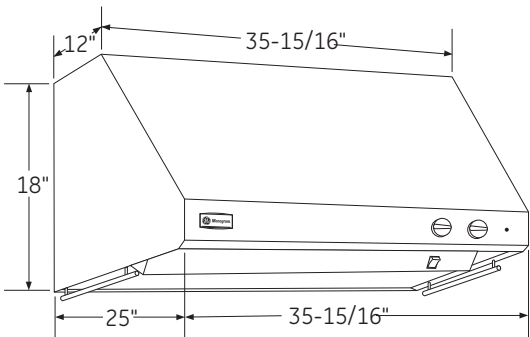
## PRODUCT DIMENSIONS



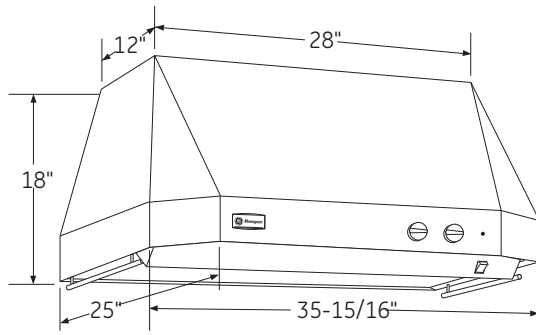
Model ZV48S With Straight Sides



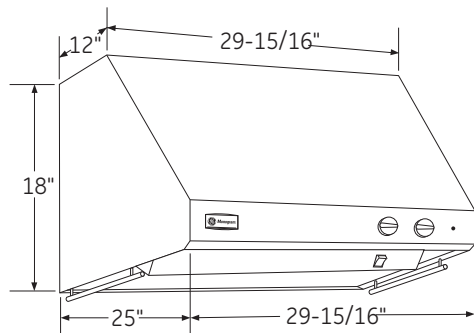
Model ZV48T With Tapered Sides



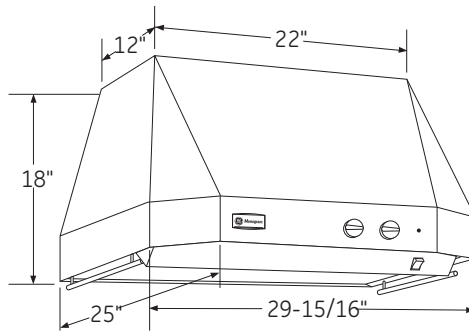
Model ZV36S With Straight Sides



Model ZV36T With Tapered Sides



Model ZV30S With Straight Sides

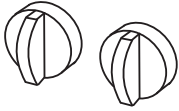


Model ZV30T With Tapered Sides

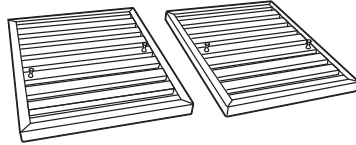
# Installation Preparation

## PARTS PROVIDED

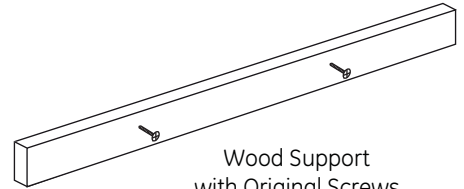
Locate the parts packed with the hood.



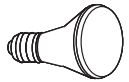
2 Knobs



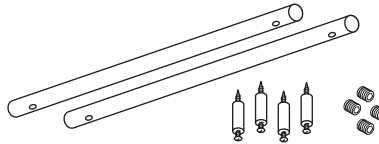
2 Stainless Steel Grease Filters  
(3 filters with 48" models)



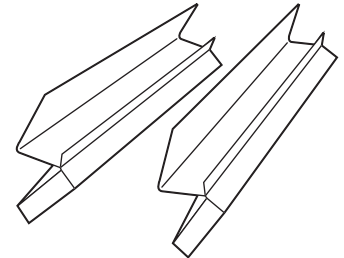
Wood Support  
with Original Screws



Heat Lamp  
(2 with 48" models)



2 Implement Rods, 4 Allen Screws  
and 4 Stand-offs



2 Grease Filter Trays  
(3 supports with 48" models.)



Allen Wrench  
For Implement Rods



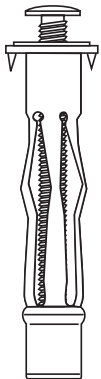
Monogram Logo  
Nameplate

## HARDWARE PACKAGE

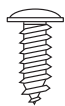
Locate and check contents. Screws shown actual size.



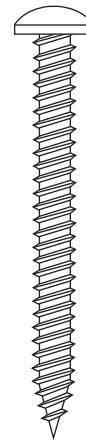
2 flat washers  
for wall anchors



2 (3/16") hollow wall  
anchors with screws to  
secure hood to the wall at  
the bottom



6 Phillips head screws to  
secure hood to the wood  
support: (2 secured to  
wood support)

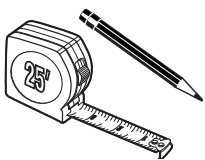


6 screws to secure the  
wood support and the  
hood to the wall

# Installation Preparation

## TOOLS AND MATERIALS REQUIRED

(NOT SUPPLIED)



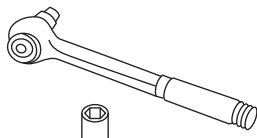
Pencil and tape measure



Duct tape



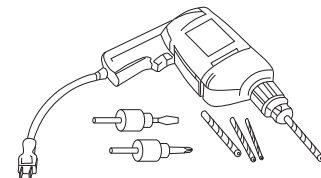
Wire cutter/  
stripper



Key Hole Saw



Hammer



Electric or battery operated  
drill and 1/8", 3/8" bits



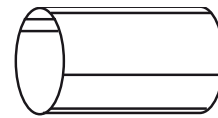
Spirit level



Safety glasses



Wire nuts



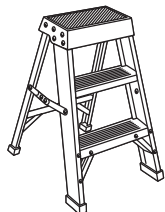
10" round  
metal duct,  
length to  
suit installation.



Pliers



Metal Snips



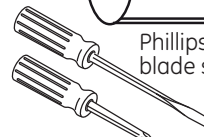
Step ladder



Saber saw  
or Sawsall



Flashlight



Phillips and flat  
blade screwdrivers



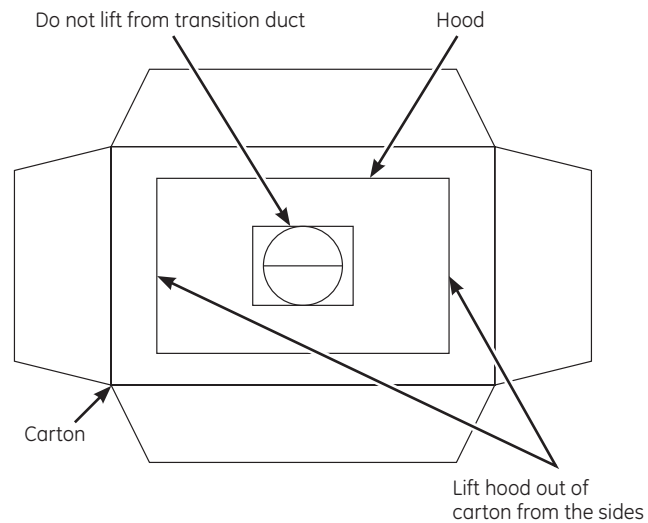
Strain relief for  
junction cover.



120V 60Hz. 15 or 20 Amp,  
2-wire with ground. Properly  
grounded branch circuit.

**CAUTION** Lift the hood by grasping the outside edges of the inlet opening of the hood.  
**Do not lift the hood by grasping the exhaust opening or transition duct with damper!**

- Open the carton and remove the hood and packaging.
- Confirm that all hardware and parts are present by reviewing the section named Parts Provided in the Installation Instructions.
- Loosen the screws holding the wood support to the back of the hood. Remove wood support. Keep wood support and screws. These will be used to mount the hood to the wall.
- Fully inspect and confirm that all tape and packing material has been removed from the hood and transition duct with damper



Top view of open shipping carton

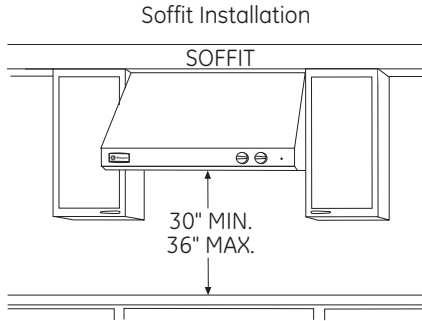
# Advance Planning

## INSTALLATION CLEARANCES

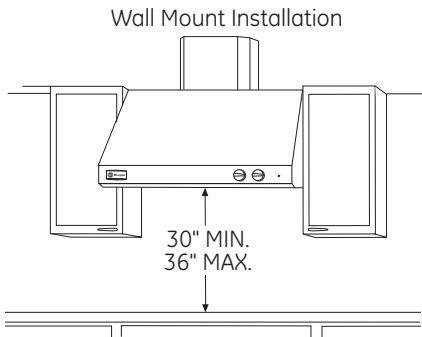
These vent hoods are designed to be installed onto a wall or beneath a soffit or cabinet.

- Install these hoods 30" Min. to 36" Max. above the cooking surface.

**Note:** Clearances may vary due to type of cooking product and local codes. Check with local inspectors to be sure standard is applicable.



In this installation the ductwork running from the top of the hood will be concealed in the soffit or upper cabinetry.



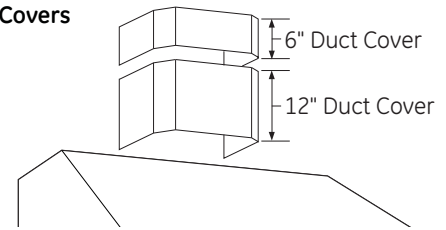
For this installation, a decorative duct cover is available to conceal the ductwork running from the top of the hood. Use of the duct cover requires special consideration to the installation height above the countertop.

## OPTIONAL DUCT COVER ACCESSORIES

Standard decorative duct covers are available in 6" and 12" heights. Duct covers may be stacked, in various combinations, to conceal the ductwork running from the top of the hood to the ceiling.

- Before you begin, you should determine the installation height of the hood and order the correct size duct cover. The duct covers should be ordered at the same time as the vent hood and be on site before installation. Order the duct cover corresponding to your model.

### Standard Duct Covers



### 6" Duct Covers

Hood Model	6" Duct Cover	Dimensions
ZV48T, ZV48S	ZX48DC6J	6"H x 19-11/16"W x 11-7/8"D
ZV36T, ZV36S	ZX36DC6J	6"H x 15-3/4"W x 11-7/8"D
ZV30T, ZV30S	ZX36DC6J	6"H x 15-3/4"W x 11-7/8"D

### 12" Duct Covers

Hood Model	12" Duct Cover	Dimensions
ZV48T, ZV48S	ZX48DC12J	12"H x 19-11/16"W x 11-7/8"D
ZV36T, ZV36S	ZX36DC12J	12"H x 15-3/4"W x 11-7/8"D
ZV30T, ZV30S	ZX36DC12J	12"H x 15-3/4"W x 11-7/8"D

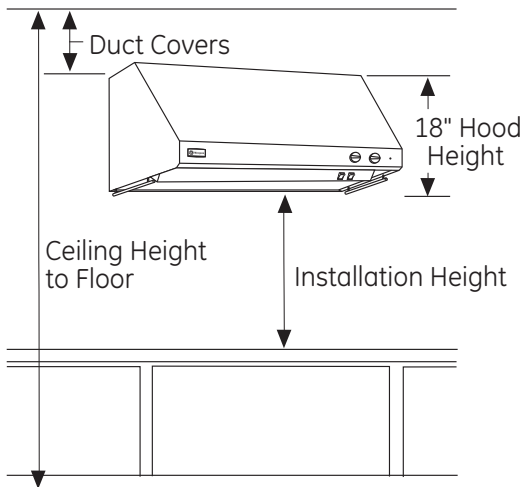
# Advance Planning

## DETERMINE INSTALLATION HEIGHT, DUCT COVER ACCESSORIES

These vent hoods must be installed 30" min. to 36" max. above the standard 36" high cooking surface when installed over any professional style rangetop or range. The exact hood installation height is determined by the ceiling height.

1. Measure the exact ceiling height.
2. Review the chart at right to determine the range of possible hood installation heights that can be accomplished with one or more duct covers.
3. Increase or decrease hood installation height to accommodate the fixed 6" or 12" duct covers and use a whole number of duct covers, otherwise cutting and modifying one duct cover may be required.
4. Duct covers may be stacked, in various combinations, to reach ceiling heights.

Straight or Taper-Sided Hoods



**Note:** Minimum ceiling height for REAR WALL EXHAUST with duct covers is 8'4" when installing at 30" above countertop using 10" elbow

Actual Ceiling Height	*Possible Hood Installation Height	6" Duct Covers	12" Duct Covers
7' 11"	35"	1	
8' 0"	30"		1
8' 0"	36"	1	
8' 1"	31"		1
8' 2"	32"		1
8' 4"	33"		1
8' 4"	34"		1
8' 5"	35"		1
8' 6"	30"	1	1
8' 6"	36"		1
8' 7"	31"	1	1
8' 8"	32"	1	1
8' 9"	33"	1	1
8' 10"	34"	1	1
8' 11"	35"	1	1
9' 0"	30"		2
9' 0"	36"	1	1
9' 1"	31"		2
9' 2"	32"		2
9' 3"	33"		2
9' 4"	34"		2
9' 5"	35"		2
9' 6"	30"		2
9' 6"	36"	1	1
9' 7"	31"	1	2
9' 8"	32"	1	2
9' 9"	33"	1	2
9' 10"	34"	1	2
9' 11"	35"	1	2
10' 0"	30"		3
10' 0"	36"	1	2
10' 1"	31"		3
10' 2"	32"		3
10' 3"	33"		3
10' 4"	34"		3

\*Based on 36" countertop height.

**Note:** Additional duct covers may be used to reach higher ceilings.

# Advance Planning

## ADVANCE PLANNING

### Ductwork Planning

- These vent hoods are equipped for 10" round ductwork. For best performance, use 10" round ductwork on the 48" wide hoods. 30" and 36" hoods may be transitioned to 8" round.
- This hood may be vented vertically through upper cabinets, soffit or ceiling. A duct transition piece is supplied for vertical exhaust. Use locally supplied elbows to vent horizontally through the rear wall.
- Determine the exact location of the vent hood.
- Plan the route for venting exhaust to the outdoors. To maximize the ventilation performance of the vent system:
  1. Minimize the duct run length and number of transitions and elbows.
  2. Maintain a constant duct size.
  3. Seal all joints with duct tape to prevent any leaks.
  4. Do not use any type of flexible ducting.
- Use metal ductwork only.
- Install a wall cap or roof cap with damper at the exterior opening. Order the wall or roof cap and any transition needed in advance.
- When applicable, install any makeup (replacement) air system in accordance with local building code requirements. Visit [GEAppliances.com](http://GEAppliances.com) for available makeup air solutions (search on the words "make-up air" or "make up air").

### Wall Framing for Adequate Support

- These vent hoods are heavy. Adequate structural support must be provided. Hoods must be secured to vertical studs in the wall.
- It is strongly recommend that the vent hood with duct cover be on site before final framing and wall finishing. This will also help to accurately locate the ductwork and electrical service.

### Decorative Duct Covers:

Decorative duct covers, 6" and 12" high, are available to fit all models. The duct cover conceals the ductwork running from the top of the hood to the ceiling or soffit. Stack one or more duct covers over the top of the hood to reach your ceiling height.

## POWER SUPPLY

IMPORTANT - (Please read carefully)

### WARNING

FOR PERSONAL SAFETY, THIS APPLIANCE MUST BE PROPERLY GROUNDED.

Remove house fuse or open circuit breaker before beginning installation.


### Electrical supply

These vent hoods must be supplied with 120V, 60Hz, and connected to an individual, properly grounded branch circuit, and protected by a 15 or 20 amp circuit breaker or time delay fuse.

- Wiring must be 2 wire with ground.
- If the electrical supply does not meet the above requirements, call a licensed electrician before proceeding.
- Route house wiring as close to the installation location as possible on the back wall or ceiling.
- Connect the wiring to the house wiring in accordance with local codes.

### Grounding instructions

The grounding conductor must be connected to a ground metal, permanent wiring system, or an equipment-grounding terminal or lead on the hood.

 **WARNING** The improper connection of the equipment-grounding conductor can result in a risk of electric shock. Check with a qualified electrician or service representative if you are in doubt whether the appliance is properly grounded.



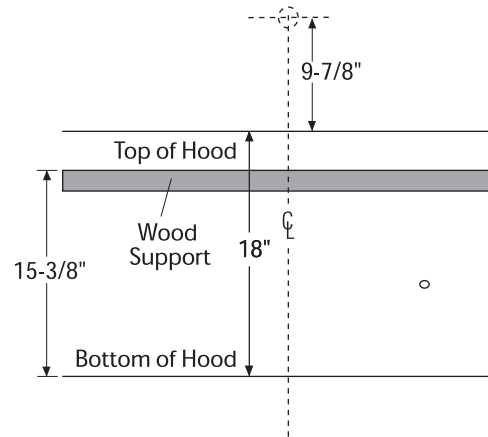
# Installation Instructions

## STEP 1 DETERMINE HOOD, DUCTWORK AND WIRING LOCATIONS

- Use a level to draw the cooktop centerline location. Draw the line to ceiling height.
- Measure desired distance from the bottom of the hood to the cooking surface, 30" min. to 36" max.

**Note:** If you are installing the hood with duct covers, be sure to read "Using Duct Cover Accessories" page 7. Exact installation height may be determined by use of one or more duct covers.

- Use a level to draw a straight horizontal pencil line indicating the bottom of the hood.
- From the line indicating the bottom of the hood, measure 15-3/8" up and draw another line for the location of the wood support. See illustration.



### FOR VERTICAL (Straight Up) DUCTING:

- Use a level to draw a centerline from the bottom of the hood to ceiling or soffit.
- If venting out the ceiling, extend the centerline forward on the ceiling or soffit.
- Locate the centerline of a 10-1/2" hole on the ceiling or soffit by measuring 6" from the wall.

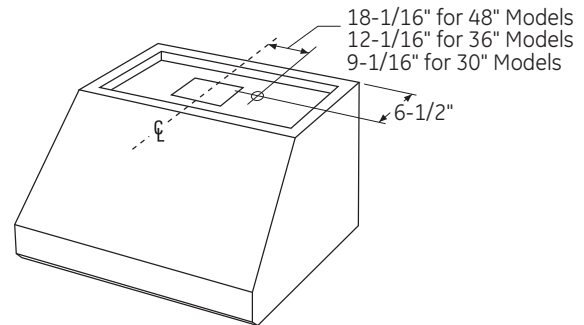
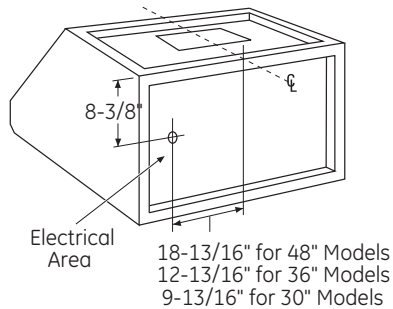
### FOR DUCTING THROUGH REAR WALL:

- Measure 9-7/8" above the marked line for the top of the hood. At the centerline, mark location for a 10-1/2" diameter hole.

**Note:** Minimum ceiling height for REAR WALL EXHAUST with duct covers is 8'4" when installing at 30" above countertop using 10" elbow

### House Wiring Location:

- The junction box is fastened to the back of the hood on the right side.



- The recessed back side of the hood provides a large area for the house wiring to exit the wall and be routed to the rear knockout and junction box.
- Remove junction box cover and knockout. Install strain relief.

### Alternate Knockout Locations

If the installation requires, the junction box can be relocated from the back to the top of the hood. Remove 3 screws, align box to top knockout and secure with original screws.

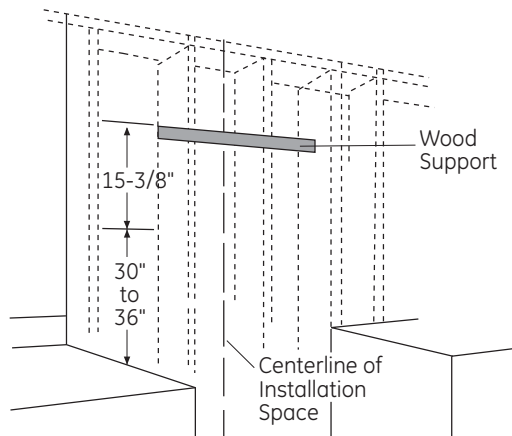
- Remove junction box cover and knockout. Install strain relief.

# Installation Instructions

## STEP 2A INSTALL HOOD ONTO WALL

**SKIP THIS STEP IF INSTALLING BENEATH A SOFFIT OR CABINET, GO TO STEP 2B.**

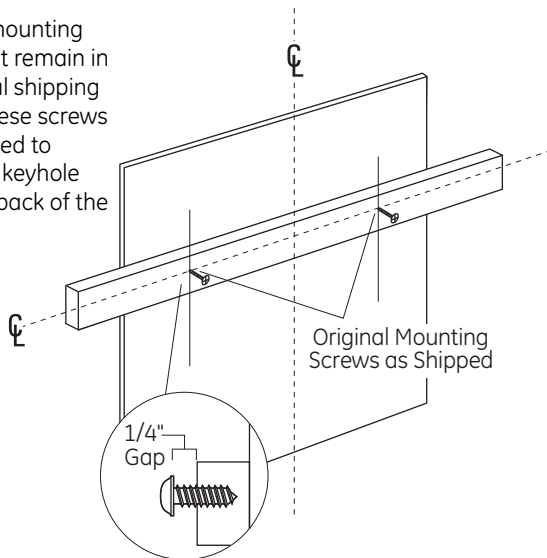
- Locate at least 2 vertical studs at the wood support.
- For 30" models, if 2 vertical studs cannot be located, then install 2 screws through the wood support into the stud that is located, vertically aligned with the screws located 1/2" from the edge of the wood support.
- Center the supplied wood support, left to right and below the 15-3/8" marked line.



- Secure the wood support to 2 or more vertical studs, using at least 2 of the 4 supplied long screws. For the 30" model, you may need to add framing to existing framing to secure the wood support to 2 studs.

**IMPORTANT:** Screws must penetrate at least 1" into vertical studs. Countersink screws into support.

**Note:** The mounting screws must remain in their original shipping location. These screws are positioned to engage the keyhole slots in the back of the hood.



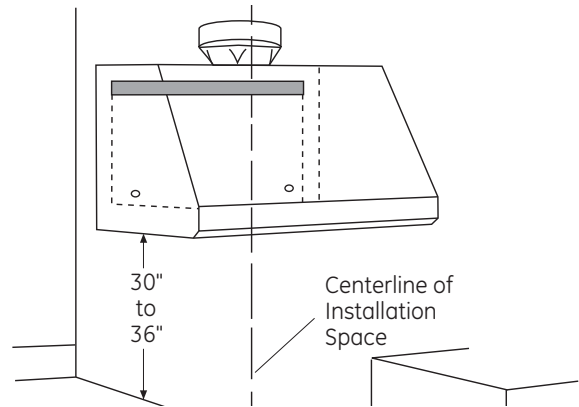
- Adjust depth of original mounting screws in the wood support until they protrude 1/4" forward. This 1/4" gap will provide clearance to hang the hood.

**IMPORTANT:** Framing must be capable of supporting up to 150 lbs.

- Use duct tape to seal the transition duct connection. Check to be sure the damper moves freely.

### Hang Hood On Wood Support

- Lift the hood and hold close to the installation location. Route house wiring through the knockout and into the junction box.
- Place the hood over the wood support. Be sure the mounting screws engage the keyhole slots in the back of the hood. Tighten the screws.



- Install additional 4 screws to secure the hood to the wood support.
- Drill 1/8" pilot holes into the two lower holes. If the pilot hole enters a stud, use a washer and the long wood screw. If the pilot hole does not enter a stud, enlarge the hole to 3/8" to accept the wall anchor, and use a washer and the screw from the wall anchor.

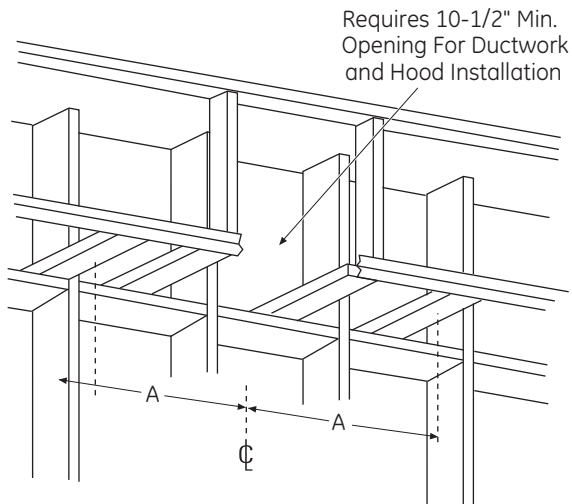
# Installation Instructions

## STEP 2B Alternate Mounting Method INSTALL HOOD TO SOFFIT OR BENEATH CABINETS

### SKIP THIS STEP IF USING WALL MOUNTING METHOD

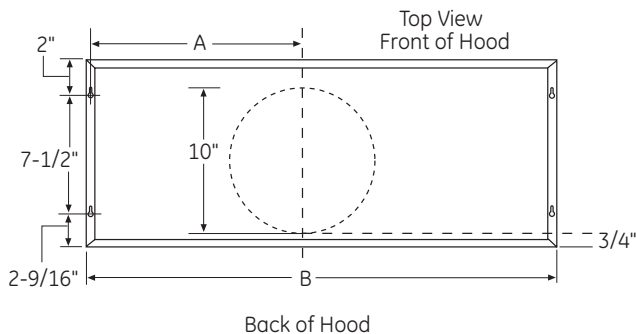
When necessary, the hood may be installed so that it is supported by the soffit.

- The soffit should be constructed with 2 x 4's.
- Determine the installation location on the wall.
- Continue the centerline forward on the bottom of the cabinet or soffit.
- The opening above the hood should allow for the 10" round duct and clearance to slide the hood back against the wall.



- The 2 x 4 studs must be located as shown in the chart, Dim. A, to accept mounting screws.

	"A" Centerline to Stud and Keyhole Slots	"B" Hood Width At the Top
ZV48T	19-9/16"	40"
ZV48S	23-9/16"	47-15/16"
ZV36T	13-9/16"	28"
ZV36S	17-9/16"	35-15/16"
ZV30T	10-9/16"	22"
ZV30S	14-9/16"	29-15/16"



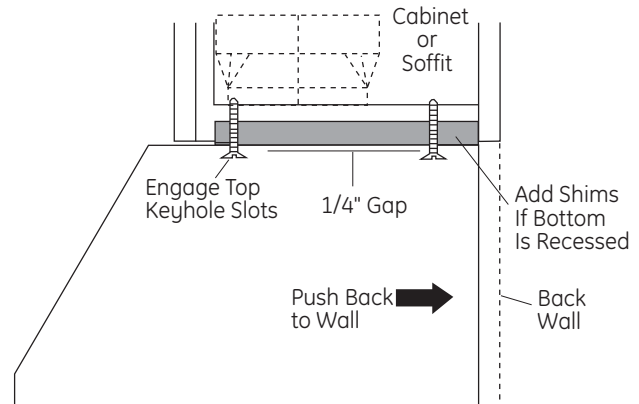
- Drill 1/8" pilot holes into the studs at the locations shown in the top view illustration.

**IMPORTANT: Soffit framing must be capable of supporting up to 150 lbs.**

- Use duct tape to seal the transition duct connection. Check to be sure the damper moves freely.

### Mount Hood onto Soffit or Cabinet

**Note:** If mounting to the underside of a cabinet with a recessed bottom, install shims to fill the gap.



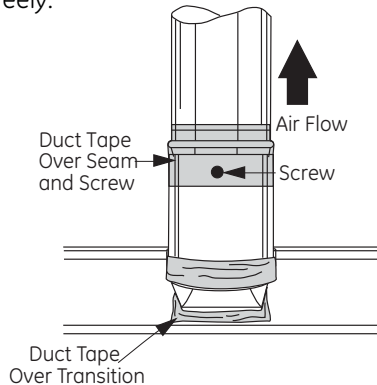
- Drive mounting screws into the studs until they protrude 1/4". The 1/4" gap will provide clearance to engage the keyhole slots in the top of the hood.
- Lift hood to installation position. Locate house wiring and route through the knockout (from the back or top of the hood).
- Lift hood onto mounting screws. Slide back against the rear wall.
- Tighten mounting screws.

**IMPORTANT: For additional support and to minimize vibration during operation, the hood must be secured to the back wall. Use wall anchors to fasten bottom back of hood to the wall.**

# Installation Instructions

## STEP 3 CONNECT DUCTWORK

- Install ductwork, making connections in direction of airflow as illustrated.
- Secure joints in ductwork with sheetmetal screws.
- Wrap all duct joints with duct tape for an airtight seal.
- Use duct tape to seal the flange connection. Reach inside the hood and push the damper up to be sure it moves freely.



## STEP 5 INSTALL DUCT COVERS

**Note:** For easier handling, remove cardboard insert after film is peeled off.

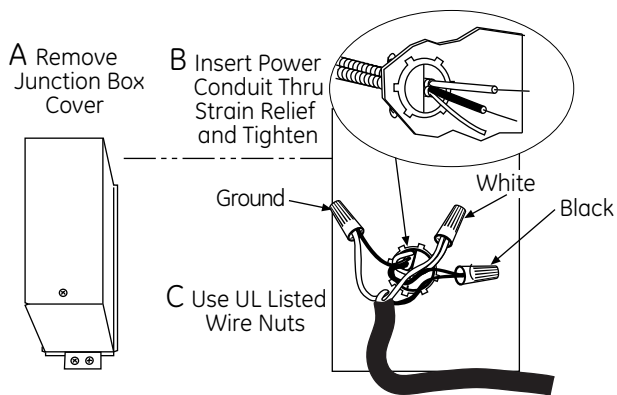
Remove protective film from duct covers. If more than one duct cover is used, secure each piece together with screws provided.

- Place the duct cover(s) on top of the hood.
- From inside the hood, secure the duct cover to the top with the small Phillips head screws supplied with the covers.

## STEP 4 CONNECT ELECTRICAL

Verify that power is turned off at the source.

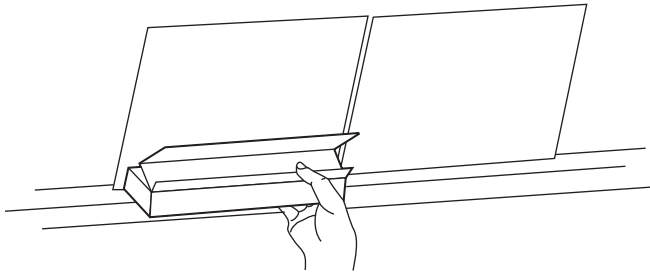
**⚠ WARNING:** If house wiring is not 2-wire with a ground wire, a ground must be provided by the installer. When house wiring is aluminum, be sure to use U.L. approved anti-oxidant compound and aluminum-to-copper connectors.



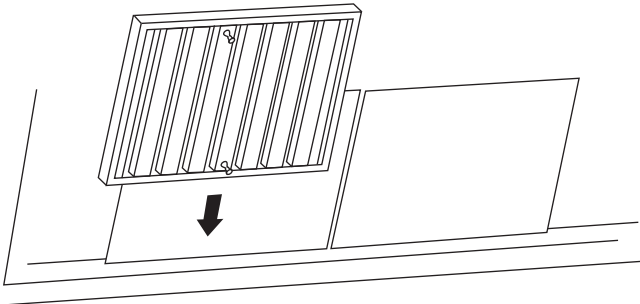
- Use wire nuts to connect incoming ground to green, white to white and black to black.
- Push wires into junction box and replace cover. Be sure wires are not pinched.

# Installation Instructions

## STEP 6 INSTALL FILTERS

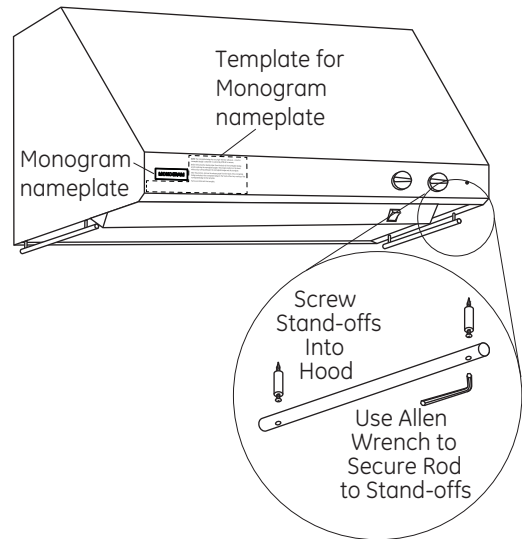


- Place filter drip trays into the rear of the hood.



- Insert the grease filter into the opening and drop into the trays.
- To remove the filters, grasp the handle, push the filter up and lift out.

## STEP 7 INSTALL IMPLEMENT RODS



- Use a flat blade screwdriver to install stand-offs into the bottom of the hood.
- Align implement rod to stand-offs with the screw hole towards the inside of the hood. Secure the rod to the stand-offs with the supplied Allen wrench.
- Follow the same procedure on the opposite side.
- Install knobs - line up the flat on the shaft with the flat in the knob hole.
- Attach Monogram nameplate badge: Use the template on page 14 for alignment of the nameplate. Cut out the template and tape it onto the hood front surface and verify the template is aligned with the left side of the hood and within the upper and lower edge of the front surface. Practice placing the nameplate first before removing the adhesive release paper.

## FINALIZE INSTALLATION

- Install the supplied infrared bulb(s).
- See the Owner's Manual for instructions to test operation.

# Monogram Nameplate Template

**NOTE:** The nameplate badge has very high retention adhesive -- once the nameplate badge is attached it is extremely difficult to remove.

Before removing the release paper from the back of the nameplate badge, practice placing the nameplate badge in the proper position on the hood without any overlap between the nameplate badge and this template.

After this practice, remove the release paper from the back of the nameplate badge, and attach the nameplate badge to the hood without any overlap of the nameplate/badge to this template.

Remove and discard this template.



Trim Around Dotted Line

# Notes

---

**Note:** While performing installations described in this book, safety glasses or goggles should be worn.

*For Monogram® local service in your area, call 1.800.444.1845.*

**Note:** Product improvement is a continuing endeavor at General Electric. Therefore, materials, appearance and specifications are subject to change without notice.

31-11016

07-15 GE

monogram.com

Printed in Italy

**MONOGRAM**