

BERTAZZONI PROFESSIONAL SERIES

24" PANEL INSTALLED DISHWASHER
DW24XT + PROHK24DW

HIGHLIGHTS

• Power Zone

Additional high-pressure rotating sprayer arm for hard to remove deposits.

• LED lighting

2 interior LED surround lights to facilitate loading and unloading.

• Flexible Top Drawer

Additional rack for loading of up to 16 place setting with a dedicated shower sprayer. Ideal for flatware, silverware and small items. The upper rack rack is split in 2 sliding/ foldable sections which can be adjusted when loading tall items in the middle drawer.

• Sani Boost

Washing temperature boost to 158°F for perfect cleaning and sanitization.

• Sound Insulation

Super-quiet performance 45db(A).



FEATURES

Style	factory installed panel
Finish	stainless steel, no fingerprint
Handle styles	Professional series
Controls	concealed
Interface	LED touch
Energy star certification	yes, 249kw/yr
Sound insulation	45 db(A)
Place setting	16
Wash cycles	6 (Heavy, Auto, Normal, Quick, Eco, Rinse)
Wash options	5 (power zone, extra dry, sani boost, hi temp, delay start 24h)
Drying system	Turbo drying
Filter system	triple plastic and stainless steel
Food disposer	yes
Spray arms	4 (including power zone)
Number of racks	3 including Flexible Top Drawer
Interior illumination	yes - 2 LED lights

TECHNICAL SPECIFICATIONS

Voltage, frequency	115V, 60Hz
Max Amp Usage, power rating	8.4 A, 975W
Certification	CSA
Warranty	2 years parts and labor

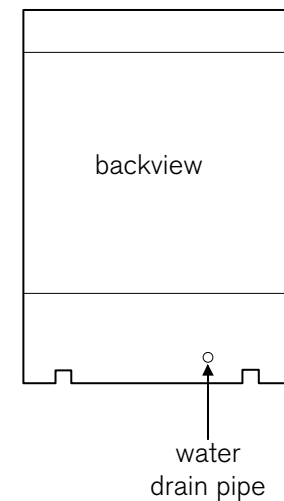
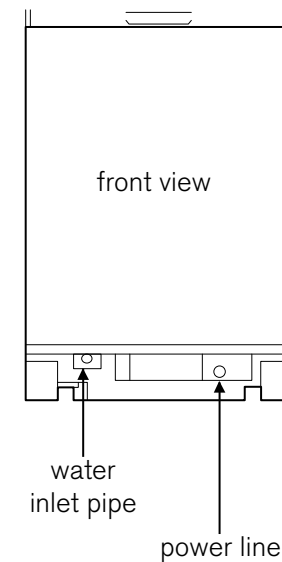
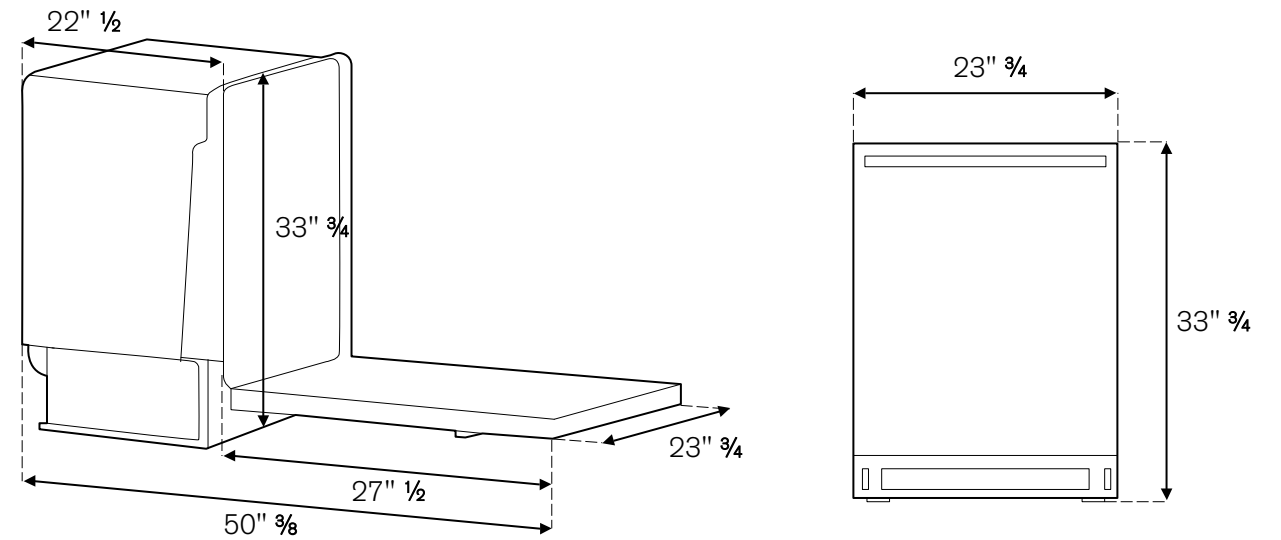
DIMENSIONS

Depth	24 1/2"
Depth without door	22 1/2"
Height	33" 3/4"
Width	23 3/4"



BERTAZZONI PROFESSIONAL SERIES

24" PANEL INSTALLED DISHWASHER
DW24XT + PROHK24DW
INSTALLATION INSTRUCTIONS



Dishwasher handles are provided separately with dedicated commercial code and packaging.

Disclaimer: while every effort has been made to insure the accuracy of the information contained in this brochure, Fratelli Bertazzoni reserves the right to change any part of the information at any time without notice.

Fratelli Bertazzoni, Bertazzoni and the winged wheel brand icon are registered trademarks of Bertazzoni Spa.



TO COOK BEAUTIFULLY
WWW.BERTAZZONI.COM

WWW.BERTAZZONI.COM