

PRO

ROMA PRO

WALL

The Roma Pro redefines the meaning of pro-style hood with its remarkable size, powerful blower, and contemporary shape. Featuring Zephyr's new PowerWave™ blower technology, Roma Pro boasts a 750-CFM blower with the option to combine two blow-

ers together to achieve 1,300 CFM. Its unique aerodynamic blades improve efficiency with unparalleled quiet operation. Roma Pro also features Bloom™ GU10 LED lighting, pro baffle filters, and Airflow Control Technology™ (ACT™).

**ZEPHYR**

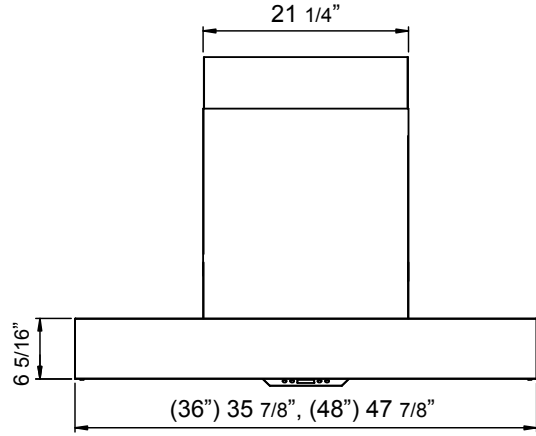
ZEPHYRONLINE.COM

**ACT™** **POWERWAVE™**

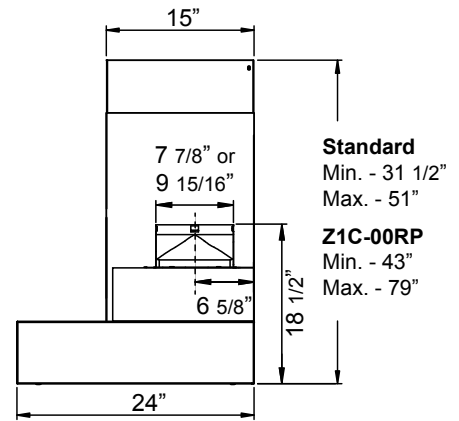
	INTERNAL BLOWER STANDARD	INTERNAL BLOWER with ACT™ AIRFLOW CONTROL TECHNOLOGY™*		
		200 - 590	200 - 390	200 - 290
SINGLE BLOWER (INCLUDED) <b>Min. - Max. CFM</b>	200 - 750	200 - 590	200 - 390	200 - 290
SINGLE BLOWER (INCLUDED) <b>Min. - Max. Sones</b>	0.5 - 7	0.5 - 5.5	0.5 - 2.5	0.5 - 1
DUAL BLOWER (OPTIONAL) <b>Min. - Max. CFM</b>	350 - 1,300	*AIRFLOW CONTROL TECHNOLOGY™ (ACT™) is an exclusive feature built into specific Zephyr hoods which can limit the maximum blower CFM to meet local code requirements.		
DUAL BLOWER (OPTIONAL) <b>Min. - Max. Sones</b>	1 - 8			



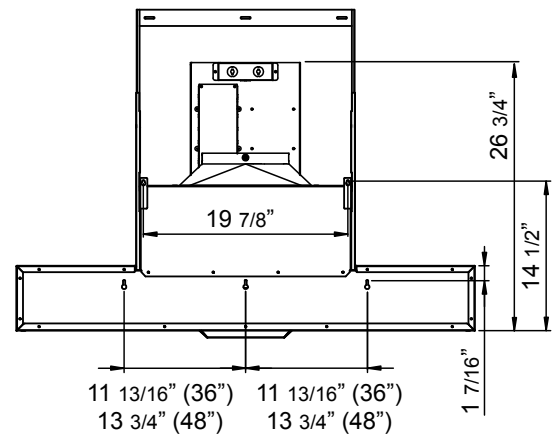
Optional Wireless Remote Control



FRONT



SIDE



BACK

MODEL	ZRP-E36AS	ZRP-E48AS							
Stainless Steel									
<b>Size</b>	36"	48"							
<b>Included Single Blower</b>	200-750 CFM, 0.5-7 Sones	200-750 CFM, 0.5-7 Sones							
<b>ACT 590*</b>	200-590 CFM, 0.5-5.5 Sones	200-590 CFM, 0.5-5.5 Sones							
<b>ACT 390*</b>	200-390 CFM, 0.5-2.5 Sones	200-390 CFM, 0.5-2.5 Sones							
<b>ACT 290*</b>	200-290 CFM, 0.5-1 Sones	200-290 CFM, 0.5-1 Sones							
<b>Optional Dual Blower</b>	350-1,300 CFM, 1-8 Sones	350-1,300 CFM, 1-8 Sones							
<b>FEATURES</b>									
<b>ACT™ Technology</b>	Yes	Yes							
<b>Controls</b>	Electronic LCD	Electronic LCD							
<b>Speed Levels</b>	6**	6**							
<b>Auto Delay-Off</b>	Yes	Yes							
<b>CleanAir Function</b>	Yes	Yes							
<b>Directional Lighting</b>	Bloom™ GU10 LED, 6W x2	Bloom™ GU10 LED, 6W x4							
<b>Dual-Level Lighting</b>	Yes	Yes							
<b>Filters</b>	Pro Baffle x2	Pro Baffle x3							
<b>Grease Collection Tray</b>	Yes	Yes							
<b>Wireless Remote Control</b>	Yes, Optional	Yes, Optional							
<b>Recirculating Option</b>	No	No							
<b>Duct Cover Extension Option</b>	Yes	Yes							
<b>ADA Compliant</b>	Yes (w/ remote accessory)	Yes (w/ remote accessory)							
<b>DUCT SPECIFICATIONS</b>									
<b>Vertical Single Internal Blower</b>	8" Round	8" Round							
<b>Horizontal Single Internal Blower</b>	NA	NA							
<b>Vertical Dual Internal Blower</b>	10" Round	10" Round							
<b>Horizontal Dual Internal Blower</b>	NA	NA							
<b>AC POWER (Single Blower)</b>	120V, 60Hz at Max. 5A	120V, 60Hz at Max. 5A							
<b>AC POWER (Dual Blower)</b>	120V, 60Hz at Max. 8A	120V, 60Hz at Max. 8A							
<b>OPTIONAL ACCESSORIES</b>									
<b>Wireless Remote Control</b>	14000005	14000005							
<b>Dual Internal Blower</b>	PBD-1300A	PBD-1300A							
<b>Duct Cover Extension</b>	Z1C-00RP	Z1C-00RP							
<b>Make-Up Air Kit (Single Blower)</b>	MUA008A	MUA008A							
<b>Make-Up Air Kit (Dual Blower)</b>	MUA010A	MUA010A							
<b>MOUNTING HEIGHT RANGE***</b>	24" - 36"	24" - 36"							
<b>WARRANTY</b>	3 years parts, 1 year labor	3 years parts, 1 year labor							
<b>CEILING HEIGHT</b>	8'	8.5'	9'	9.5'	10'	10.5'	11'	12'	
<b>STANDARD DUCT COVER</b>	<b>Ducted Mounting Height***</b>	24" - 28.5"	24" - 34.5"	24" - 36"	27" - 36"	33" - 36"	NA	NA	NA
<b>DUCT COVER EXTENSION</b>	<b>Ducted Mounting Height***</b>	NA	NA	24" - 29"	24" - 35"	24" - 36"	24" - 36"	24" - 36"	29" - 36"

\*ACT™ only available with single internal blower.

\*\*When ACT™ is enabled the number of fan speeds will be reduced to maximum 3 speeds.

\*\*\*Mounting height refers to distance between top of a 36" tall cooking surface and bottom of hood.

**ACT™** AIRFLOW CONTROL TECHNOLOGY™ (ACT™) is an exclusive feature built into specific Zephyr hoods which can limit the maximum blower CFM to meet local code requirements.

**POWERWAVE™**

PowerWave™ 3-Phase Blower Technology delivers best-in-class performance with unparalleled quiet operation. It provides more power while minimizing noise and improving efficiency. Plus, its 1,300 CFM blower option makes it the most powerful dual-internal blower on the market.

Specifications subject to change, check zephyronline.com for up-to-date information.  
Zephyr Ventilation | 2277 Harbor Bay Parkway, Alameda, CA 94502 | 888.880.VENT

APR20.0301

