

# FRIGIDAIRE GALLERY®

## FGMO3067U D/F

### MICROWAVE

30" BUILT-IN WITH  
DROP-DOWN DOOR

Smudge-Proof™  
Stainless Steel



#### AVAILABLE COLORS



#### SIGNATURE FEATURES



##### Fits-More™ Microwave

Extra-large microwave provides 1.6 cu. ft. of cooking space.



##### Drop-Down Door

Faster, easier access to what you are cooking with the Drop-Down Door configuration.



##### Interior LED Lighting

LED interior microwave light stays on while your dish cooks.



##### Extra-Large 14-3/16" Diameter Glass Turntable

Big bowls and large casserole dishes are no problem for our extra-large glass turntable. It rotates for even cooking.

#### PRODUCT DIMENSIONS

Height	19-1/4"
Width	30"
Depth	19-3/4"

#### MORE EASY-TO-USE FEATURES

##### Sensor Cooking Options

Microwave automatically adjusts power levels and cooking times to cook a variety of items, effortlessly.

##### Effortless™ Reheat

Reheat almost anything at the touch of a button.

##### Smudge-Proof™ Black Stainless Steel

Practical has never looked so stylish with Smudge-Proof™ Black Stainless Steel, a beautiful new finish with an easy-to-clean fingerprint-resistant surface.

##### Smudge-Proof™ Stainless Steel

Resists fingerprints and cleans easily.

##### Approved Over Frigidaire® Electric Wall Ovens

Approved for installation above any of our Single Electric Wall Ovens.

# FGMO3067U D/F MICROWAVE

30" BUILT-IN WITH DROP-DOWN DOOR

FRIGIDAIRE  
GALLERY.

## FEATURES

Control/Timing System	Ready-Select*
Exterior Door Finish	Smudge-Proof™ Stainless
Handle Design	Smudge-Proof™ Stainless
Microwave Capacity (Cu. Ft.)	1.6
Watts (IEC-705 Test Procedure)	950
Interior LED Light	Yes
Interior Color	Stainless Steel
Turntable Diameter	14-3/16"
Control Lock	Yes
Clock	Yes
Touch Pad Buttons	24
Power Levels	High (1-9)

## MICROWAVE CONTROL OPTIONS

Popcorn Button	Yes
Baked Potato Button	Yes
Sensor Reheat Button	Yes
Beverage Button	Yes
Melt & Soften Options	2/2
Auto Defrost Options	3
Multi-Stage Cooking Option	Yes
Keep Warm	Yes
Add-30-Seconds	Yes
Sensor Cooking Options	5
Vegetable Cook Sensor	Yes
User Preferences	Yes

## POWER RATINGS

Frequency (MHz)	2,450
Watts @ 120 Volts	1,650
Amps @ 120 Volts	14

## SPECIFICATIONS

Oven Interior (HxWxD)	9-7/8" x 16-9/16" x 16-9/16"
Power Supply Connection Location	Rear
Voltage Rating	120V / 60Hz / 15A
Connected Load (kW Rating) @ 120 Volts <sup>1</sup>	1.65
Minimum Circuit Required (Amps)	15
Plug Type (NEMA)	LCDI (5-15P)
Shipping Weight (Approx.)	87 Lbs.

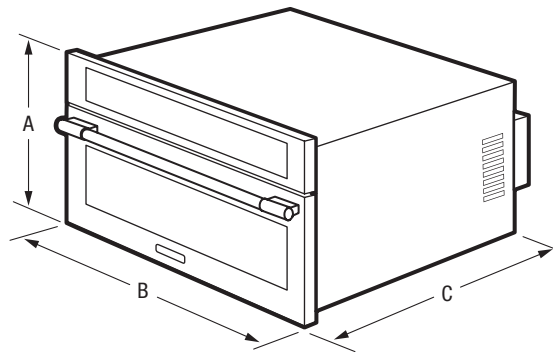
<sup>1</sup>For use on adequately wired 120V, dedicated circuit having 2-wire service with a separate ground wire. Appliance must be grounded for safe operation.

## PRODUCT DIMENSIONS

A - Height	19-1/4"
B - Width	30"
C - Depth	19-3/4"
Depth with Door Open 90°	40-3/4"

## CUTOUT DIMENSIONS

Height (Min.)	17-3/4"
Height (Max.)	18"
Width (Min.)	28"
Width (Max.)	28-3/8"
Depth (Min.)	22"



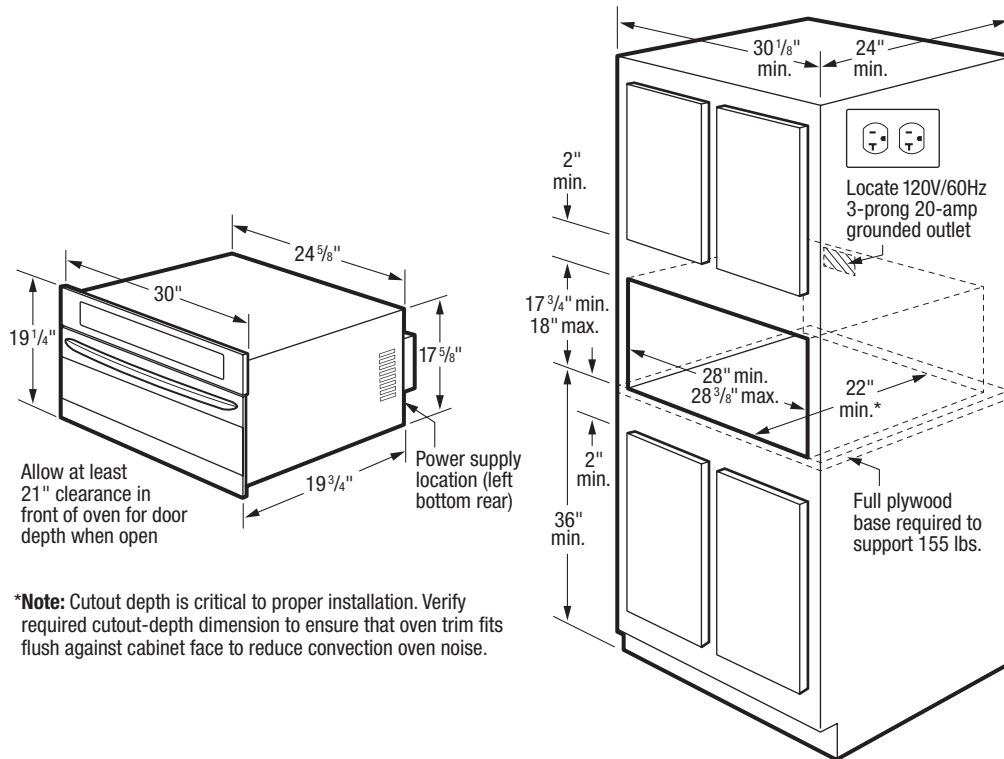
**Note:** For planning purposes only. Always consult local and national electric, gas and plumbing codes. Refer to Product Installation Guide for detailed installation instructions on the web at [frigidaire.com](http://frigidaire.com).

Specifications subject to change. Accessories information available on the web at [frigidaire.com](http://frigidaire.com)

FRIGIDAIRE

USA • 10200 David Taylor Drive • Charlotte, NC 28262 • 1-800-FRIGIDAIRE • [frigidaire.com](http://frigidaire.com)  
CANADA • 5855 Terry Fox Way • Mississauga, ON L5V 3E4 • 1-800-265-8352 • [frigidaire.ca](http://frigidaire.ca)

FGMO3067U 08/18  
© 2018 Electrolux Home Products, Inc.



## INSTALLATION SPECIFICATIONS

- Product Shipping Weight (Approx.) - 87 Lbs.
- Voltage Rating - 120V/60 Hz/15 Amps
- Connected Load (kW Rating) @ 120 Volts = 1.65 kW  
(For use on adequately wired 120V, dedicated circuit having 2-wire service with a separate ground wire. Appliance must be grounded for safe operation.)
- Amps @ 120 Volts = 14 Amps
- Always consult local and national electric codes.
- Allow 21" minimum clearance for 90° door swing.
- Minimum 20" deep oven cutout dimension is critical for proper installation for oven and faceplate to fit flush against cabinet front.
- Consult local building code, in the event that cutout opening may be required to be enclosed with sides, ceiling and rear partition.
- Full oven base of solid plywood or similar material required, capable of supporting 155 Lbs.
- Base must be level and front of cabinet square for proper operation.
- Grounded outlet should NOT be located in shaded area, as indicated, UNLESS cabinet depth is greater than 21".
- Can NOT be installed above any gas wall oven.
- Built-In Microwave is approved to be used in combination with any Frigidaire® Electric Single Wall Oven and/or Warmer Drawer. (Refer to model-specific Combination Installation Specification pages on web.)
- When used in combination with another Frigidaire® built-in product, a minimum clearance of 3" required from bottom of Built-In Microwave cutout to top edge of companion product's faceplate, leaving a 2-1/8" visible gap between both product faceplates.

