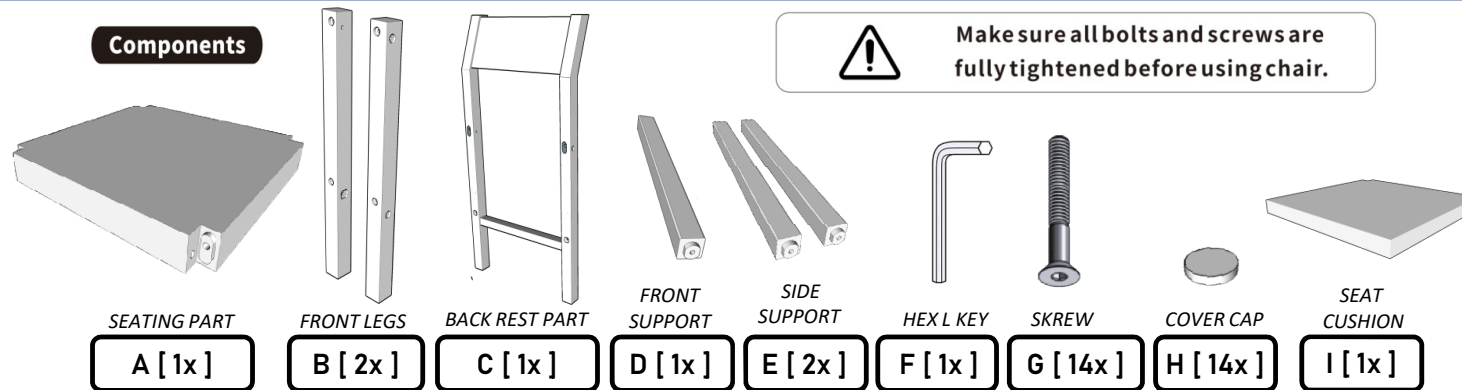


# ASSEMBLY INSTRUCTION

BAR STOOL  
CHAO



## Components



**!** Make sure all bolts and screws are fully tightened before using chair.

## Before Assembly

- Remove all wrapping materials, staples and packing straps
- Read the Parts List and Hardware List carefully, make sure all parts and hardware are intact
- Place all parts on a clean and smooth surface, such as rug or carpet, to prevent the parts from being scratched
- Do Not cross-thread screws
- Do Not use electric tools

## THANK YOU FOR PURCHASING OUR PRODUCTS

This furniture is designed for indoor application. Please read this instruction carefully and Use all the items correctly as described. And please kindly note that the warranty does not Apply to any product that has been improperly used

THIS INSTRUCTION SHEET CONTAINS IMPORTANT INFORMATION PLEASE READ AND KEEP IT FOR FUTURE REFERENCE

## Safety and Care Advice

### Warnings

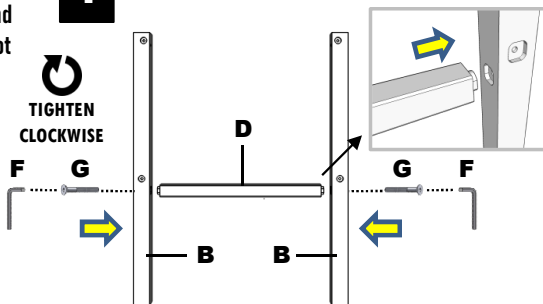


- Use on level surface only
- Do Not stand on the chair or use it as a ladder
- Only one person sitting on the chair at a time is permitted
- Do Not use the chair if parts are damaged or screws are loose or missing only
- Do Not sit on the edge of the seat only
- Do Not allow kids to play with the chair only
- Never leave children alone with the chair only
- Severe injuries will occur, if these warnings are ignored

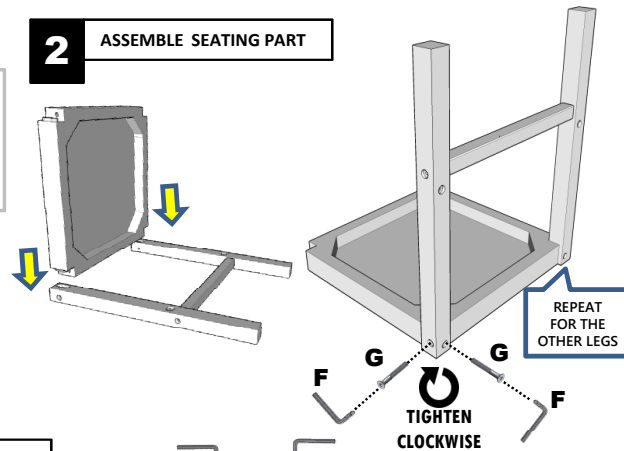
### Cleaning & Maintenance

- CLEANING** • Wipe with a soft, slightly moist cloth • Never use corrosive detergent, wire brushes, abrasive scourers, metal or sharp tools
- MAINTENANCE** • Check and tighten all parts regularly • if this chair in damage or seem unsafe, immediately contact us for after sales services

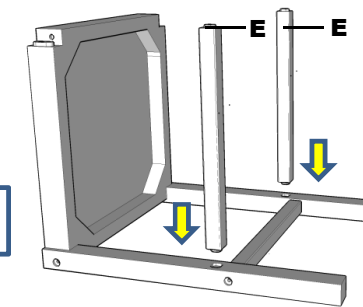
### 1 ASSEMBLE SUPPORT FRONT LEGS



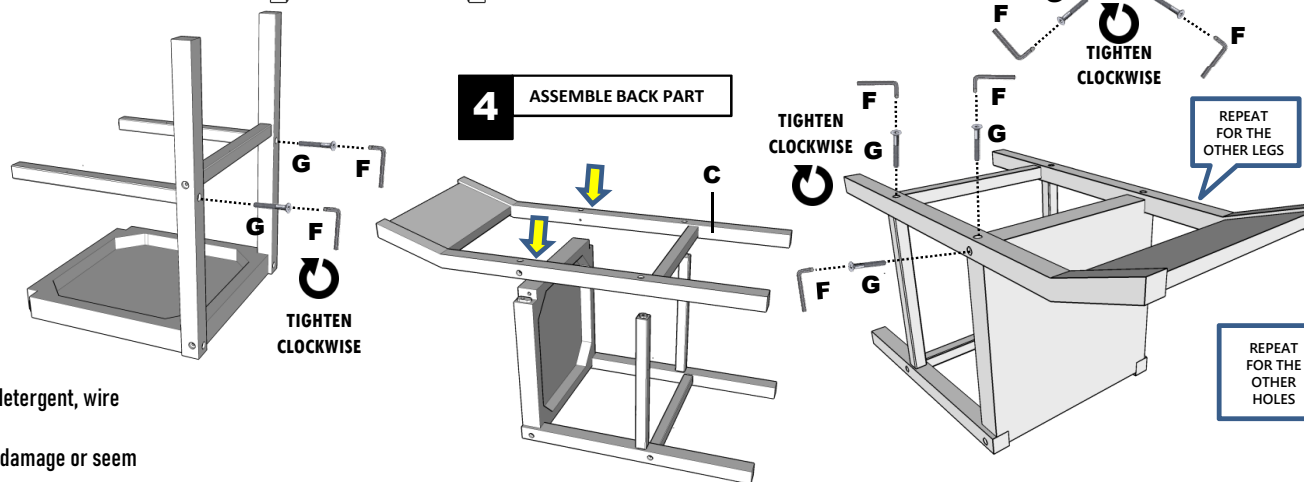
### 2 ASSEMBLE SEATING PART



### 3 ASSEMBLE SIDE SUPPORT



### 4 ASSEMBLE BACK PART



### 5 INSTALL COVER CAP

