

36" Counter-Depth 3-Door Refrigerator **BOSCH**

500 Series – Black Stainless Steel B36CD52SNB



B36CD52SNB
Black Stainless Steel

Also available in:
Stainless Steel
B36CD52SNS

36" 500 Series French Door Bottom Freezer Refrigerator, Counter Depth, External Ice/Water Dispenser, Stainless Steel, Bar Handles.

Features & Benefits

Never run out of ice – the QuickIce Pro® System produces 12 lbs. of ice per day.¹

Say goodbye to smudges and fingerprints with new anti-fingerprint stainless steel.

Convenient external control panel displays fridge and freezer temperature settings.

With Home Connect®, remotely control and monitor your appliance to efficiently manage your day.

UltraClarityPro® water filter reduces >99.9% of sediment that may be found in your water and ice, including harsh elements like chlorine and chloramine.

Dimensions and Weight

Overall width (inches)	35 5/8"
Overall height (inches)	70"*
Overall depth with doors and handles (inches)	31 1/8"
Overall depth without doors and handles (inches)	25"
Required cutout size (HxWxD) (inches)	70" x 36" x 25"
Net Weight /Gross Weight (approx.) (lbs.)	305 / 331

Style

Color	Stainless Steel
Door handle type	Bar handle
Interior finish	White and stainless steel back wall
Counter depth	Yes

Performance

VitaFresh® Plus	Yes
SuperFreeze®	Yes
Evaporators / Compressors	1 / 1
QuickIce Pro®	Yes
Automatic defrosting	Yes
External water dispenser	Yes (ice and water)
One touch bottle fill	Yes

Capacity and Storage

Total capacity (cu. ft.)	21.6
Refrigerator capacity (cu. ft.)	15.2
Freezer capacity (cu. ft.)	6.4
Full-extension freezer storage drawer	1
2-tiered freezer drawer	Yes
Full width chiller drawer	1
Humidity control drawers	2
Storage shelves	4 Adjustable, 1 Fixed
Small door bins	5
Large gallon door bins	2

General Features

Anti-fingerprint stainless steel	Yes
External control panel	Yes
Water filter replacement indicator	Yes
Water filter	UltraClarityPro®
Ice maker	Yes
Ice production (24 hrs.), ice cubes (lbs.)	12
Ice storage capacity (lbs.)	2.8
LED interior and drawer lighting	Yes
Independent cooling systems	1
Cooling system	MultiAirFlow™
AirFresh® filter	Yes
Maximum sound level	40 dBA
Wi-Fi-enabled for control with Home Connect® app	Yes

Energy Efficiency

Energy consumption (kWh/yr)	656
ENERGY STAR® Certified	Yes

Technical Specs

Required power supply	110-127 V, 60 Hz, 15 amps
Plug type	120V-3 Prong
Power cord length (in.)	91"

Operating Temperature

Refrigerator:	33°F (1°C) to 43°F (6°C)
Freezer Drawer:	-7°F (-22°C) to 6°F (-14°C)
SuperCool:	30°F (-1°C) for approx. 8 Hrs.
SuperFreeze®:	-15°F (-26°C) for approx. 8 Hrs.

Warranty

Limited warranty, parts & labor	1 Year
---------------------------------	--------

Optional Accessories

Replacement UltraClarityPro® water filter: BORPLFTR55	
FreshProtect™ Ethylene Filter Kit: FPETHKT50	
Water filter bypass (part no.): 10013297	
90 degree door stopper: 10012733	



¹Based on filling 8 oz glasses.

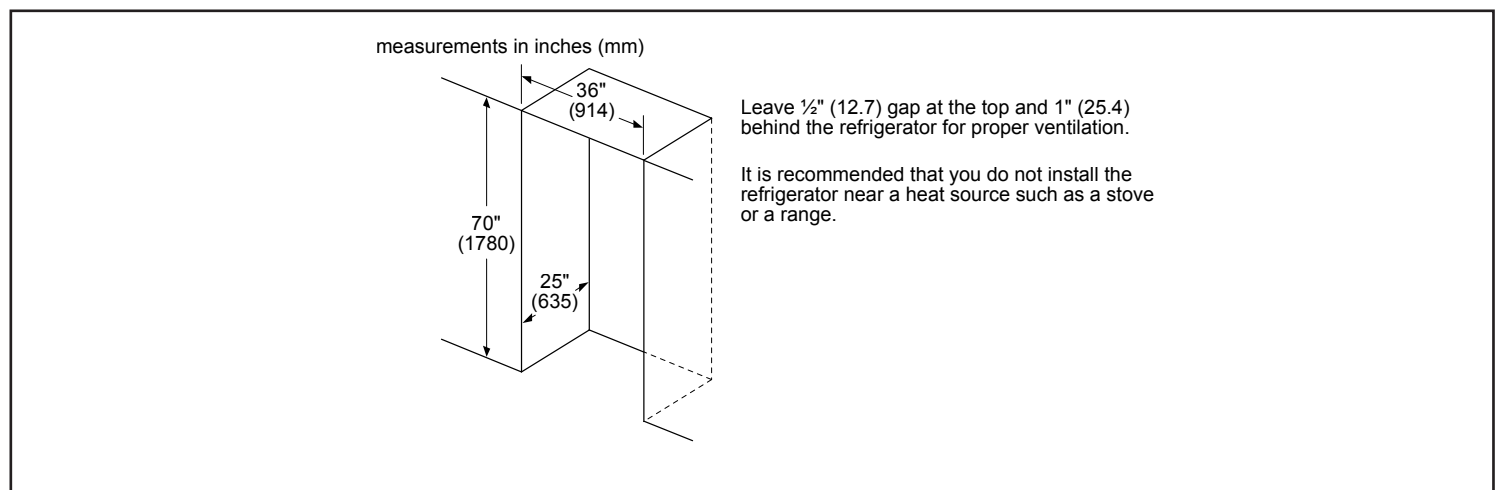
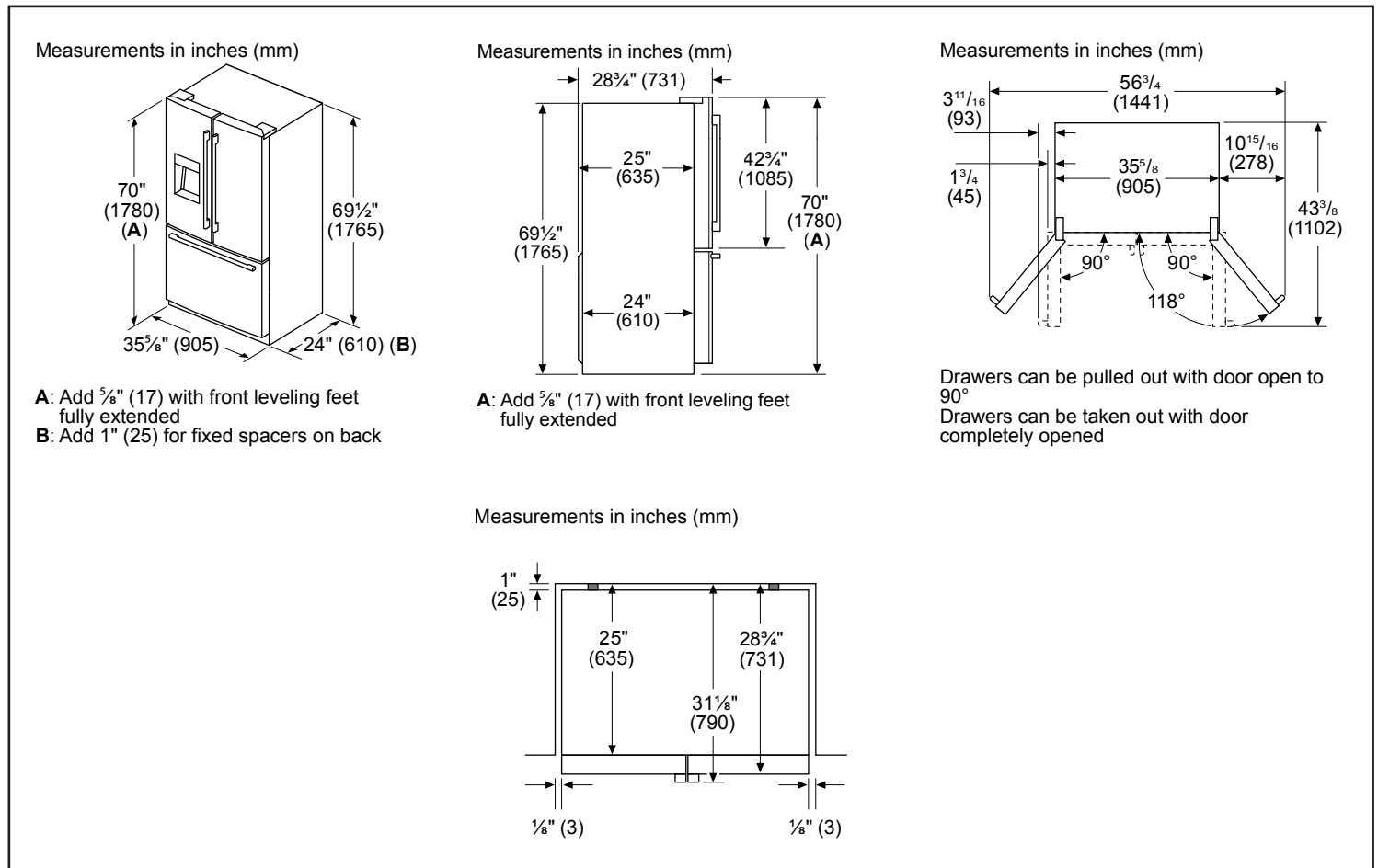
*When leveling legs are fully extended, add 5/8" to overall height, total 70 5/8".

36" Counter-Depth 3-Door Refrigerator



500 Series – Black Stainless Steel B36CD52SNB

Installation Details



Accessories: To purchase Bosch accessories, cleaners & parts please visit www.bosch-home.com/us/store or call 1-800-944-2904 (Mon to Fri 5 am to 6 pm PST, Sat 6 am to 3 pm PST).

Notes: All height, width and depth dimensions are shown in inches. BSH reserves the absolute and unrestricted right to change product materials and specifications, at any time, without notice. Consult the product's installation instructions for final dimensional data and other details prior to making cutout.

Warranties: Please see Use & Care manual or Bosch website for statement of limited warranty.

For more information on our entire line of products, go to www.bosch-home.com/us or call 1-800-944-2904

© BSH Home Appliances Corporation. All rights reserved. Bosch is a registered trademark of Robert Bosch GmbH.