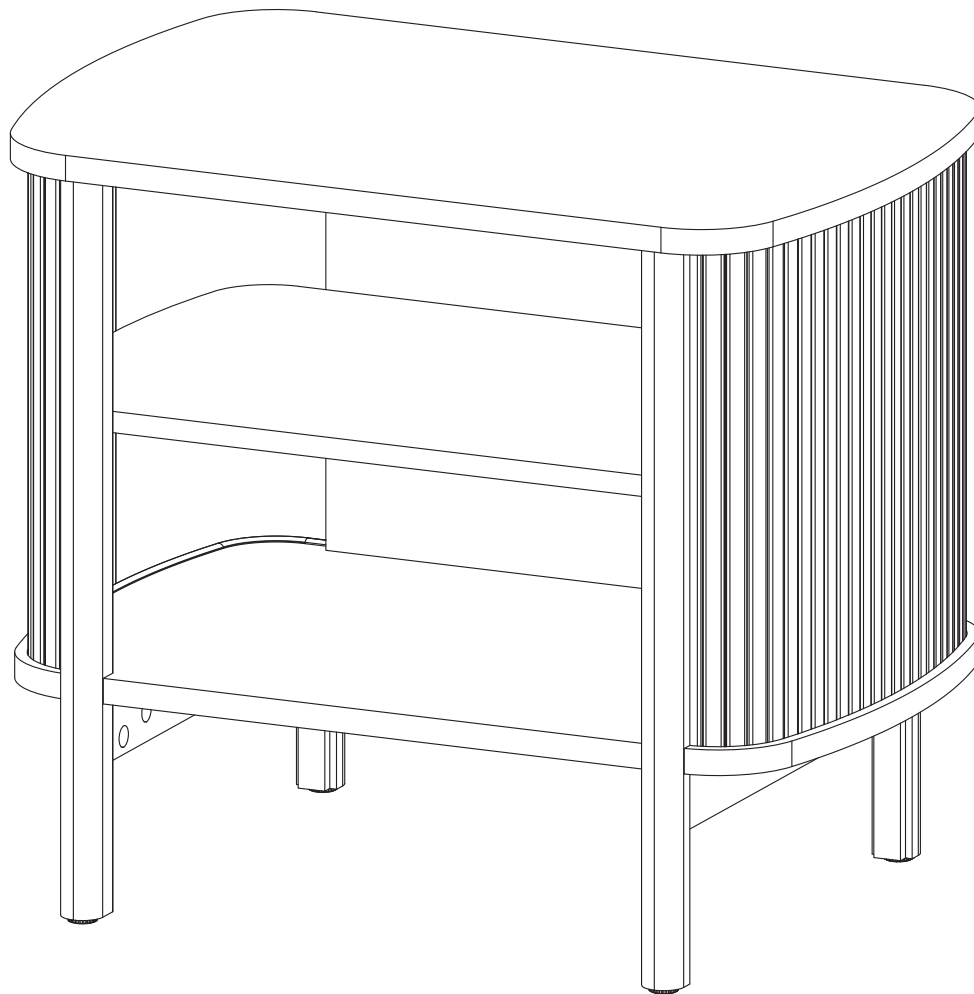


ASSEMBLY INSTRUCTIONS

MOD-7157

V0.10.23.23



Questions? Contact us!

609.256.9000 • cs@modway.com
www.modway.com

*modway

Let's get started!

*modway



Read through all of the instructions before starting



Care instructions are listed in the last step of this manual



Approx. 60 minutes assembly time



Make sure you have all parts and components before discarding any packing materials



1 people recommended for assembly

Only use hand tools to assemble this item. Do not use power tools. Do not tighten bolts or screws completely until all hardware is lined up and inserted into the holes.

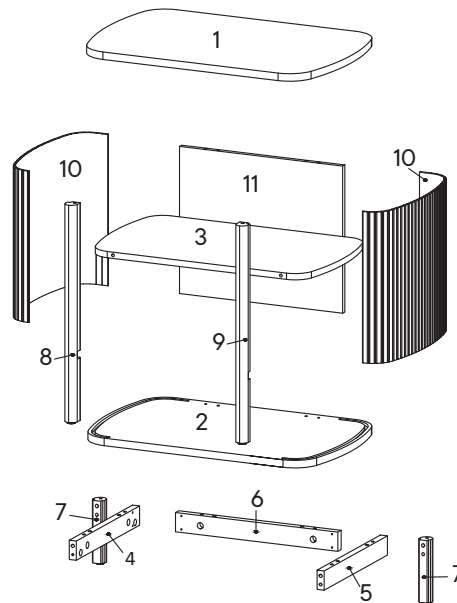
Do not over-tighten screws and bolts to avoid stripping the hardware or cracking the item.

Assemble your item on a flat, carpeted area, with plenty of space to work. This will prevent damage and scratches to your floors or the item while you're assembling the product.

Keep all components and packaging out of reach of children or animals to avoid risk of choking or suffocation.

Furniture components:

1	Top Board	x1	11	Back Board	x1
2	Bottom Board	x1			
3	Fixed Shelf	x1			
4	Bottom Skirt 1	x1			
5	Bottom Skirt 2	x1			
6	Bottom Skirt 3	x1			
7	Back Leg	x2			
8	Front Leg Left	x1			
9	Front Leg Right	x1			
10	Bar Side	x2			



Provided hardware:

A		Cam Bolt $\varnothing 6 \times 35$ mm	x18
B		Cam Lock $\varnothing 15$ mm	x14
C		Cam Lock $\varnothing 12$ mm	x4
D		Wood Dowel $\varnothing 8 \times 30$ mm	x10
E		Wood Dowel $\varnothing 6 \times 30$ mm	x4
F		Screw M 7 x 50 mm	x4
G		Allen Key	x1
H		Screw M 4.5 x 12.5 mm	x8
I		Stopper	x4

J		Bracket	x2
K		Screw Cap $\varnothing 15$ mm	x8
L		Rubber	x2

What you need:

Phillips Head Screwdriver

Wait!

Missing parts or hardware? Need assistance?
Contact us before returning your item. We're here to help!
609.256.9000 • cs@modway.com

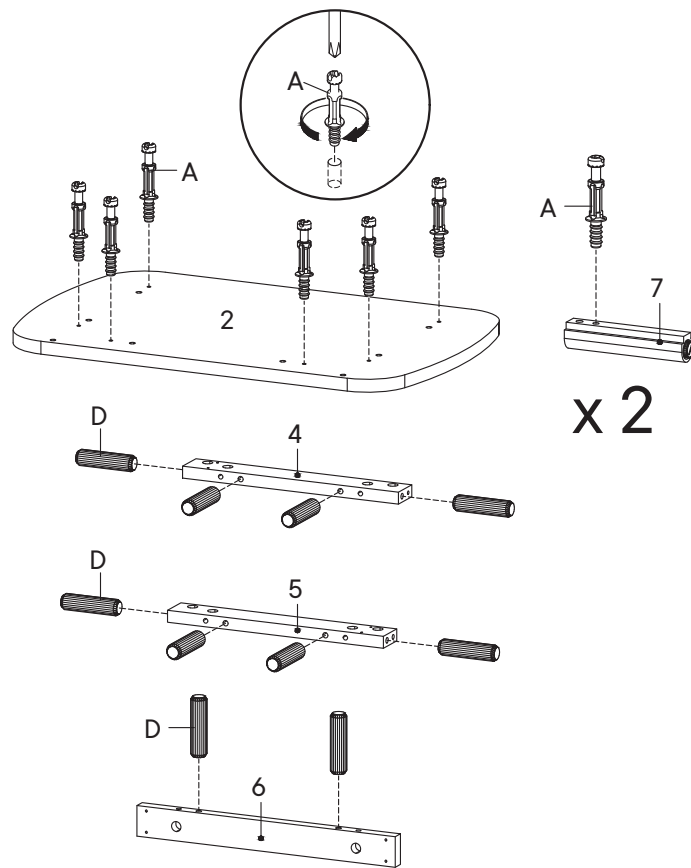
Step 1

HARDWARE

- A** Cam Bolt $\varnothing 6 \times 35$ mm x8
- D** Wood Dowel $\varnothing 8 \times 30$ mm x10

COMPONENTS

- 2** Bottom Board x1
- 4** Bottom Skirt 1 x1
- 5** Bottom Skirt 2 x1
- 6** Bottom Skirt 3 x1
- 7** Back Leg x2



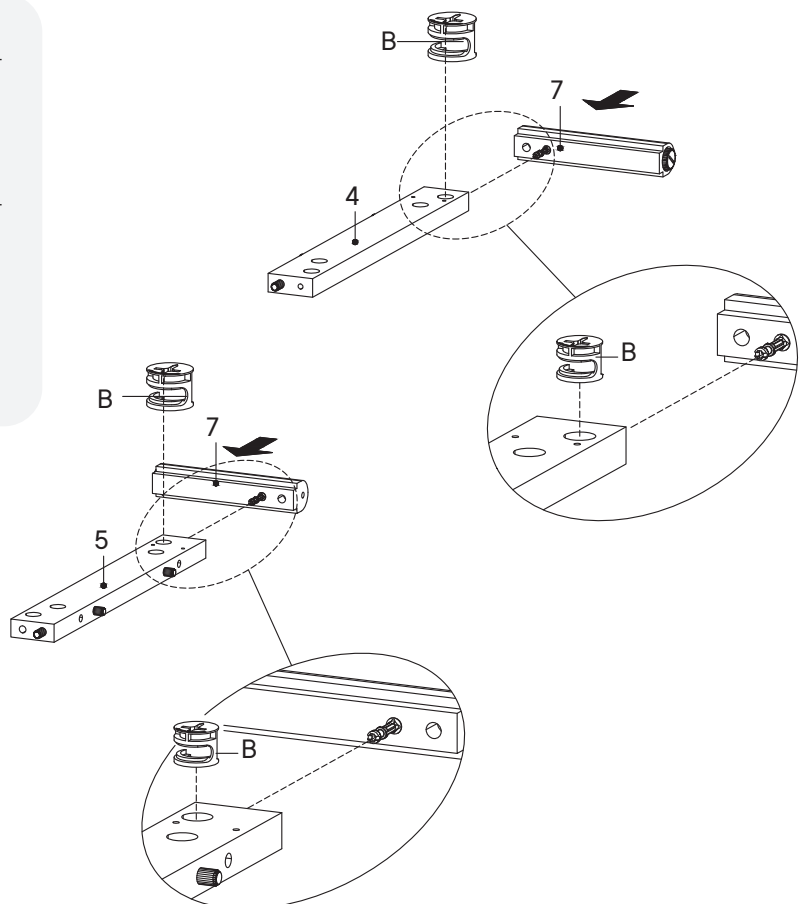
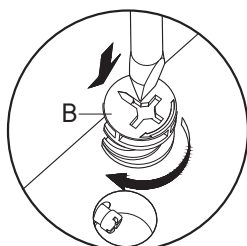
Step 2

HARDWARE

- B** Cam Lock $\varnothing 15$ mm x2

COMPONENTS

- 4** Bottom Skirt 1 x1
- 5** Bottom Skirt 2 x1
- 7** Back leg x2



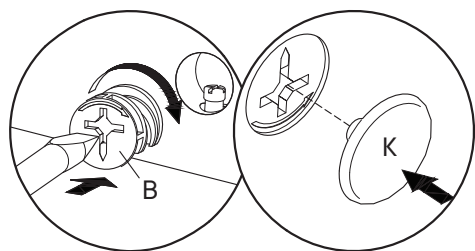
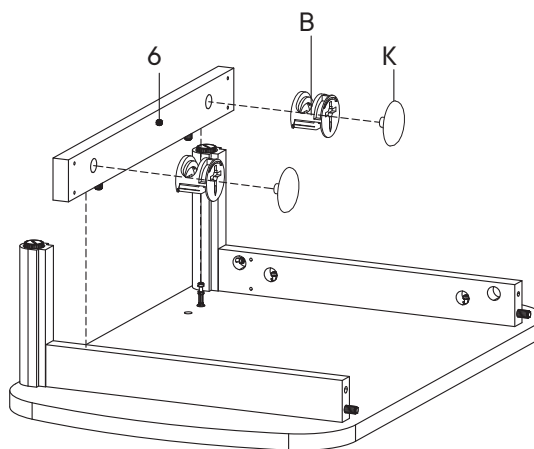
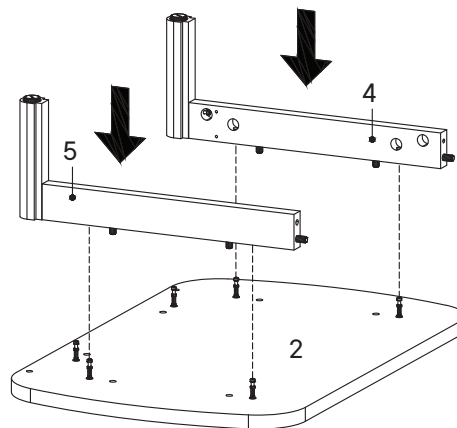
Step 3

HARDWARE

- B** Cam Lock Ø15 mm x2
- K** Screw Cap Ø15 mm x2

COMPONENTS

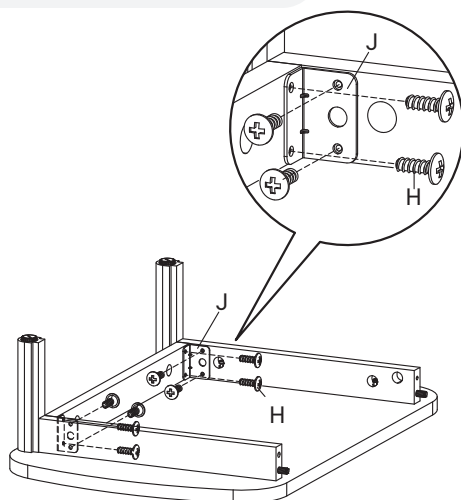
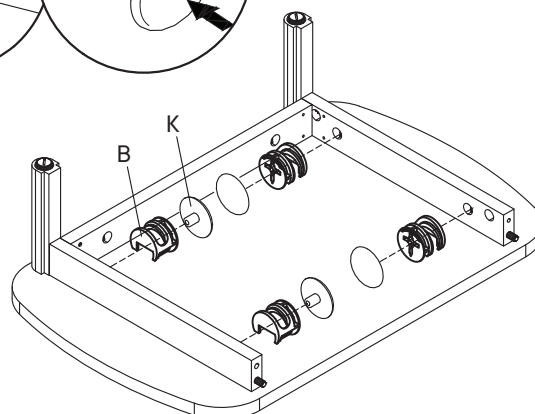
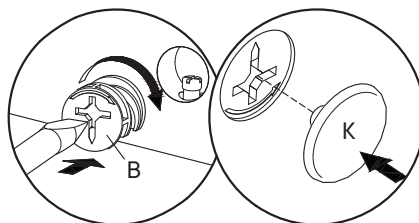
- 2** Bottom Board x1
- 4** Bottom Skirt 1 x1
- 5** Bottom Skirt 2 x1
- 6** Bottom Skirt 3 x1



Step 4

HARDWARE

- B** Cam Lock Ø15 mm x4
- K** Screw Cap Ø15 mm x4
- H** Screw M 4.5 x 12.5 mm x8
- J** Bracket x2



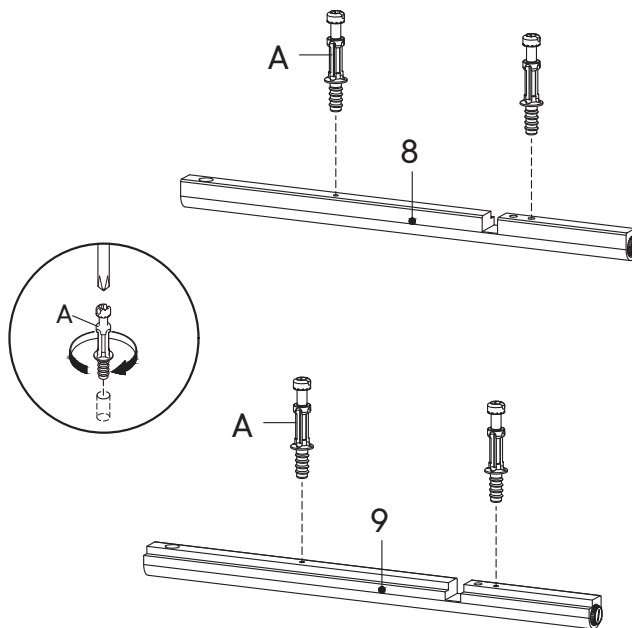
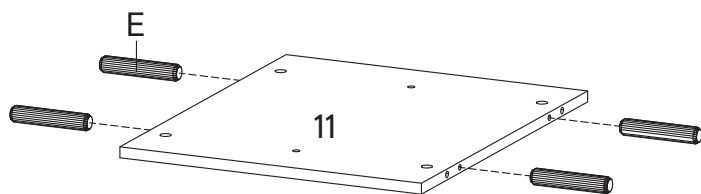
Step 5

HARDWARE

- A** Cam Bolt Ø6 x 35 mm x4
- E** Wood Dowel Ø6 x 30 mm x4

COMPONENTS

- 8** Front Leg Left x1
- 9** Front Leg Right x1
- 11** Back Board x1



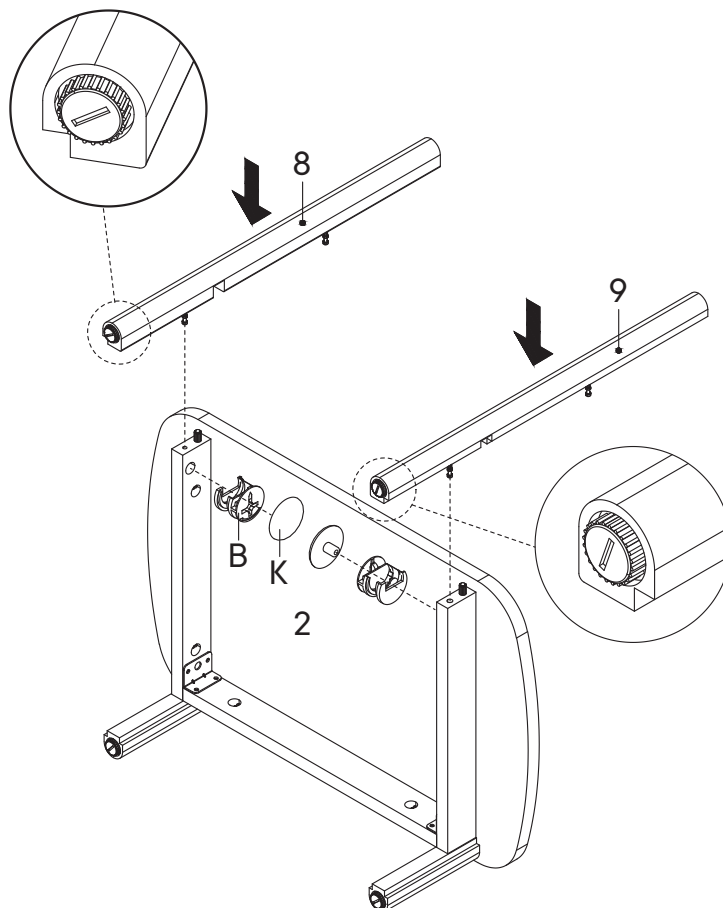
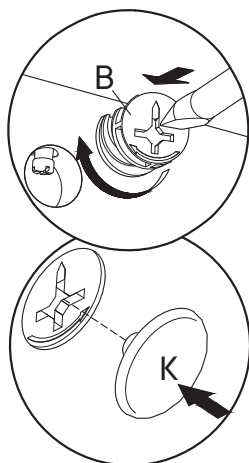
Step 6

HARDWARE

- B** Cam Lock Ø15 mm x2
- K** Screw Cap Ø15 mm x2

COMPONENTS

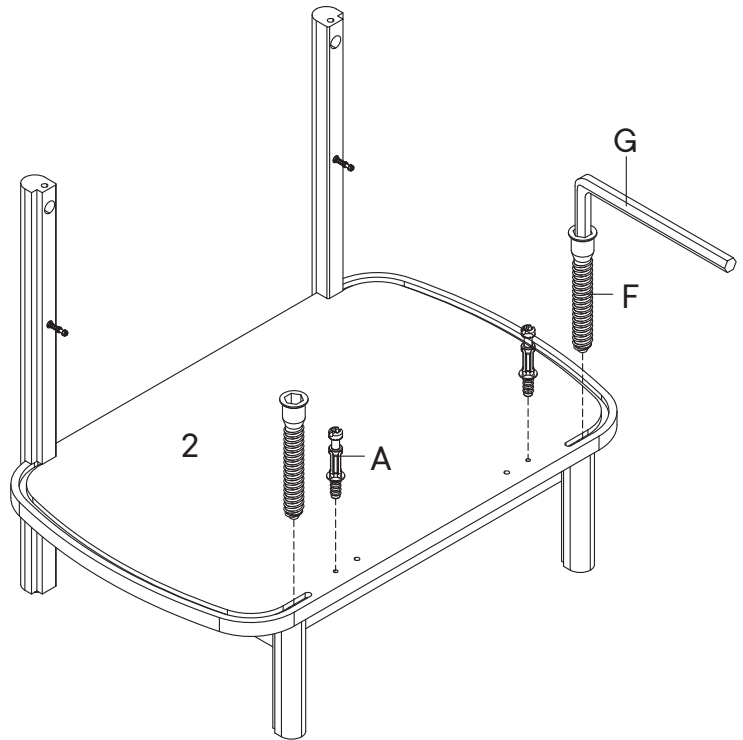
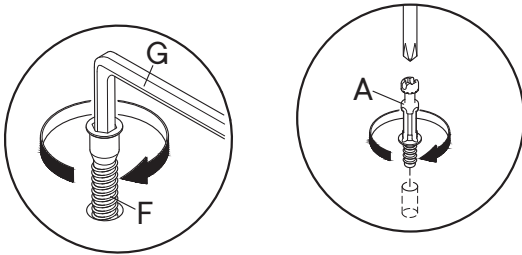
- 8** Front Leg Left x1
- 9** Front Leg Right x1



Step 7

HARDWARE

- A** Cam Bolt $\varnothing 6 \times 35$ mm x2
- F** Screw M 7 x 50 mm x2
- G** Allen Key x1



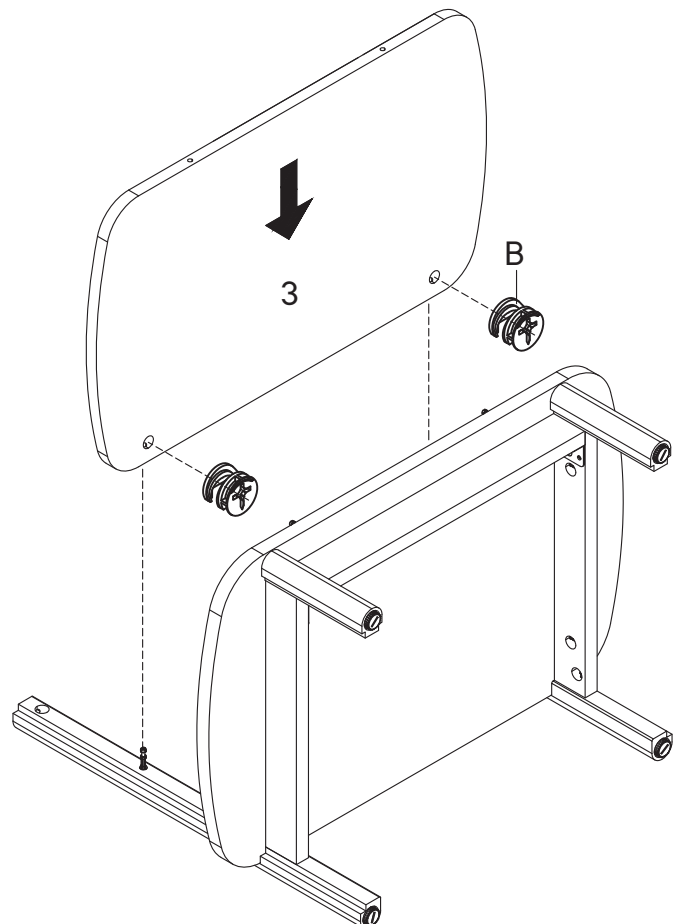
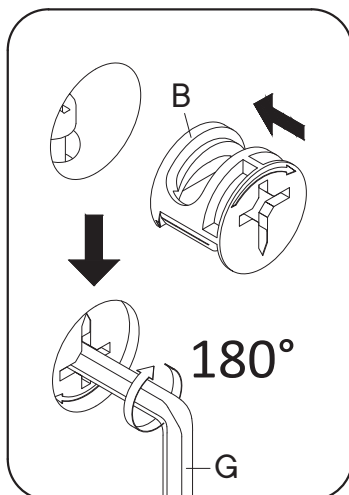
Step 8

HARDWARE

- B** Cam Lock $\varnothing 15$ mm x2
- G** Allen Key x1

COMPONENTS

- 3** Fixed Shelf x1



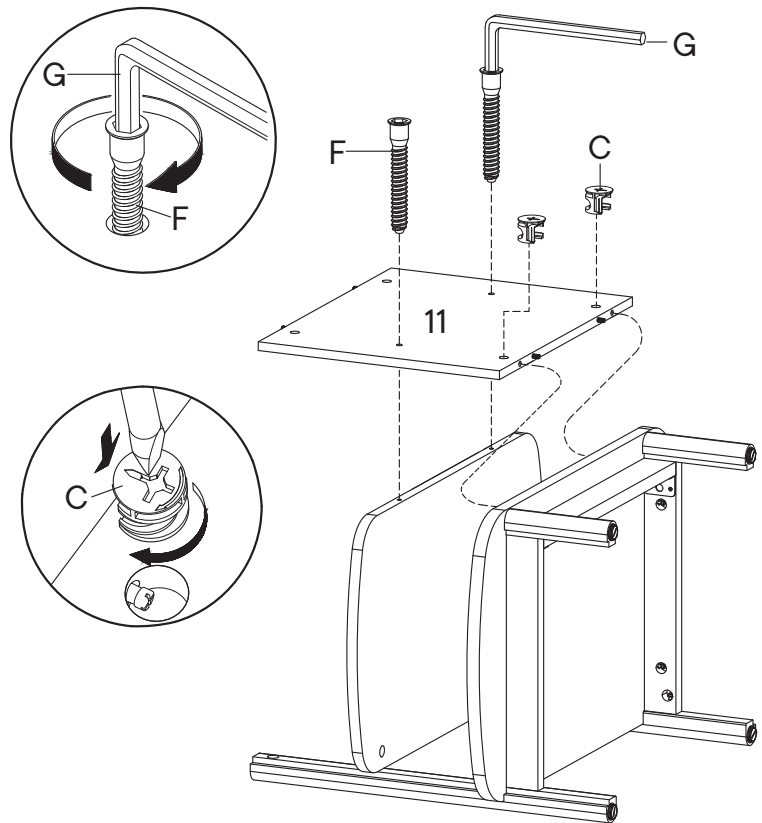
Step 9

HARDWARE

- C** Cam Lock Ø12 mm x2
- F** Screw M 7 x 50 mm x2
- G** Allen Key x1

COMPONENTS

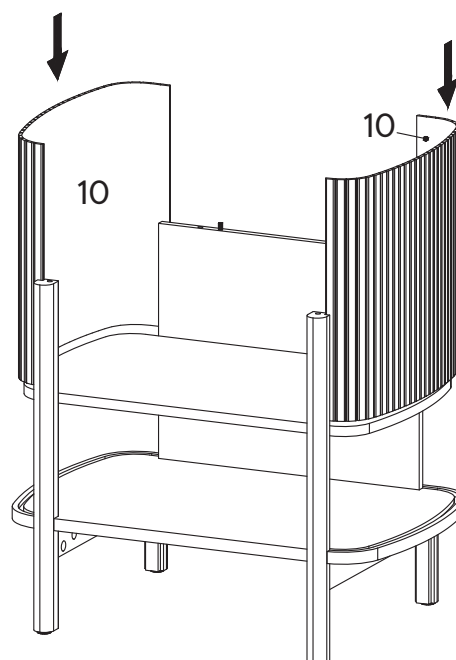
- 11** Back Board x1



Step 10

COMPONENTS

- 10** Bar Side x2



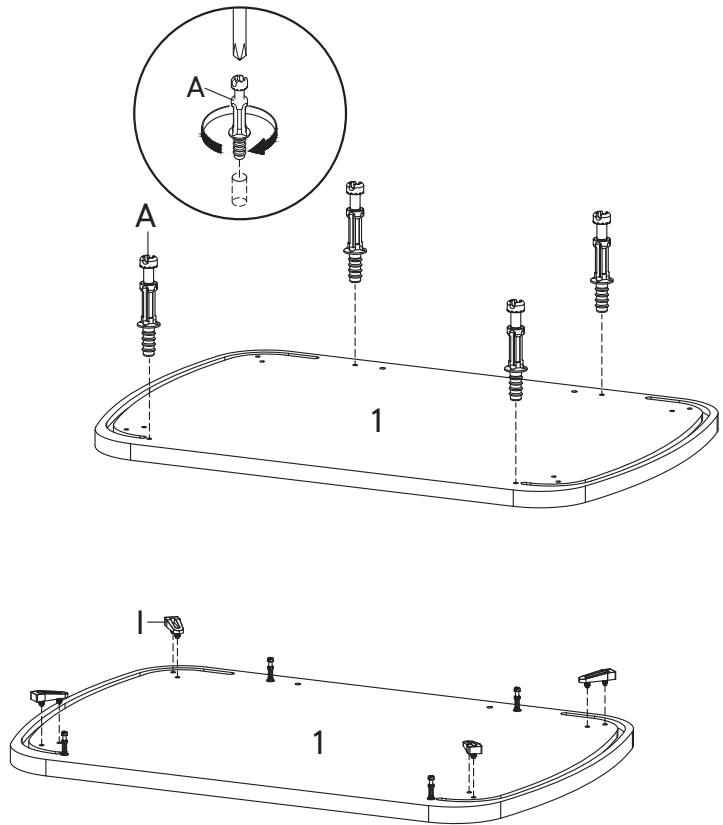
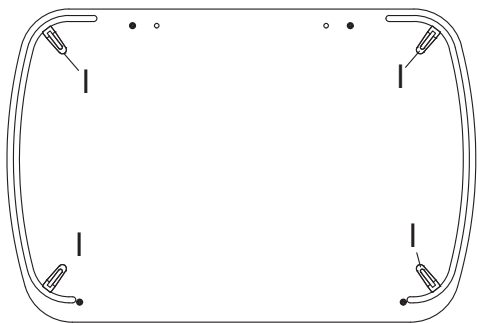
Step 11

HARDWARE

- A** Cam Bolt $\varnothing 6 \times 35$ mm x4
- I** Stopper x4

COMPONENTS

- 1** Top Board x1



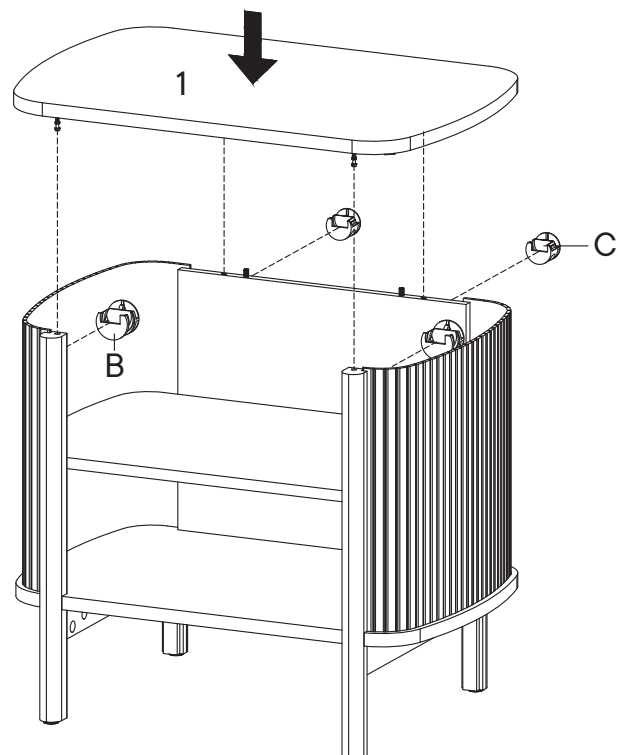
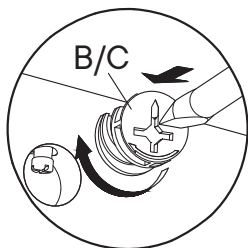
Step 12

HARDWARE

- B** Cam Lock $\varnothing 15$ mm x2
- C** Cam Lock $\varnothing 12$ mm x2

COMPONENTS

- 1** Top Board x1



Step 13

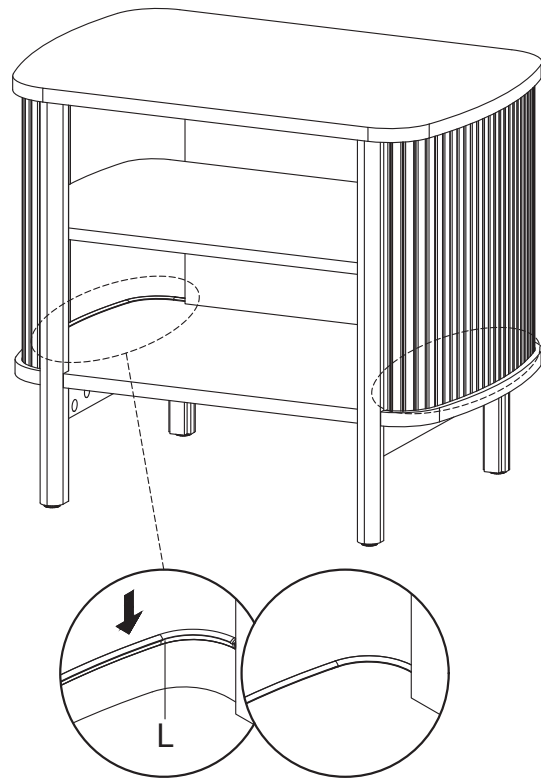
OPTIONAL

HARDWARE

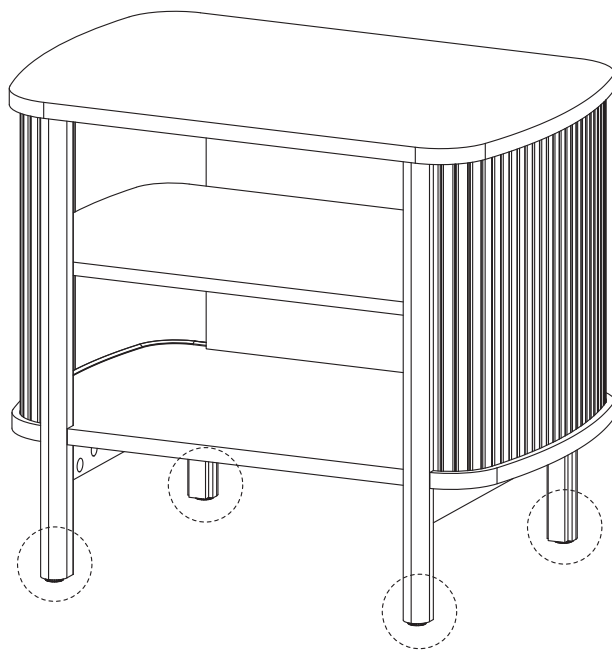
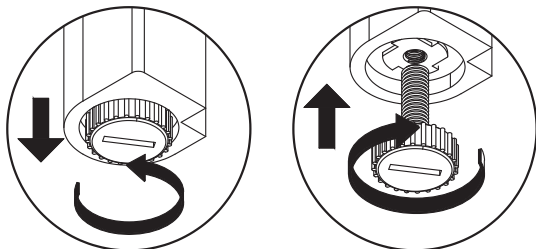
L Rubber

x2

Note:
Put rubber on the
inside



Step 14



Great job!

Night Stand assembly is complete.

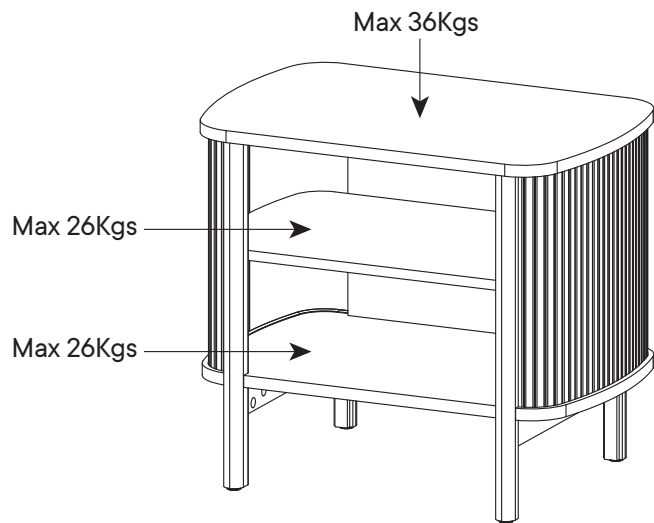
♥ CARING FOR YOUR ITEM

Indoor use only.

Not contract grade.

Clean using a non-abrasive cloth and a mild cleaner.

Never use harsh chemicals, as they could damage the finish or integrity of the item.



CONNECT WITH US!   

Tag us @modway_furniture and #modway for a chance to be featured.