



- ITEM NO: I227-471 Queen Platform Rails w/ Decking  
 I227-472 Queen Platform FB  
 I227-472D Queen Platform Storage FB  
 I227-473 Queen Platform HB

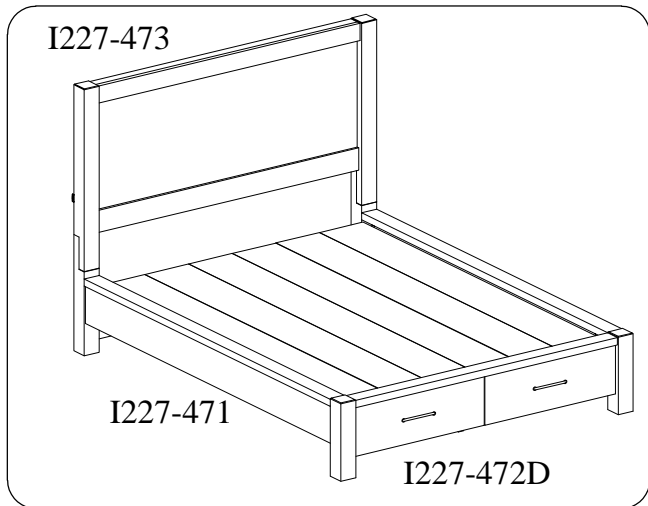
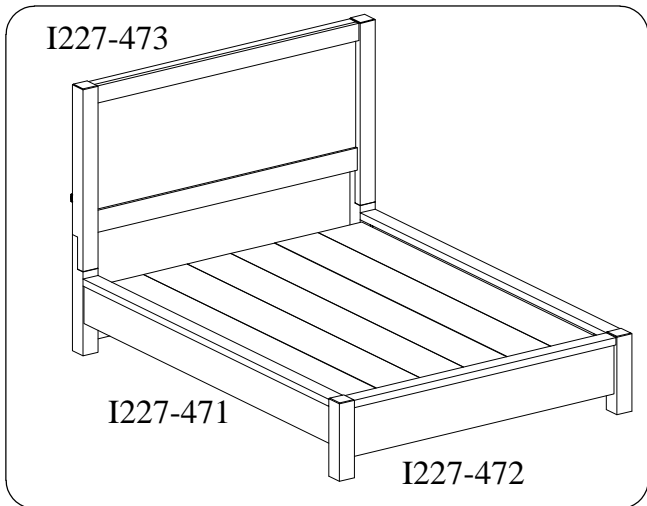
Thank you for purchasing this quality product. Be sure to check all packing material carefully for small parts that may come loose inside the carton during shipment.



**UNIT SHOULD BE INSTALLED BY 2 OR MORE PERSONS.**

All Beds need to be set up in the exact final location so that after full assembly it will not need to be moved. Moving the bed will cause the support legs to move out of perpendicular (90 degree), weaken the support system, and may allow the bed to collapse.

TOOLS REQUIRED (NOT PROVIDED)
PHILLIPS SCREWDRIVER



HARDWARE LIST: I227-473			
No.	Description	Sketch	Quantity
A	Bolt Ø5/16" x 1-1/2"		4 PCS
B	Bolt Ø5/16" x 2-3/16"		6 PCS
C	Lock Washer Ø5/16"		10 PCS
D	Flat Washer Ø5/16" x 3/4"		10 PCS
E	Allen Wrench M4		1 PC

HARDWARE LIST: I227-471			
No.	Description	Sketch	Quantity
F	Hanger Bolt Ø5/16" x 3"		8 PCS
G	Half Moon Washer Ø5/16"		8 PCS
H	Hex Nut Ø5/16"		8 PCS
I	Hex Wrench 13mm		1 PC
J	Wood Screw #4 x 1-1/4"		8 PCS
K	Wood Screw #4 x 3/4"		12 PCS

COMPONENTS LIST: I227-473			
No.	Description	Sketch	Quantity
1	Headboard		1 PC
2	Left Leg		1 PC
3	Right Leg		1 PC
4	Wood Stretcher		1 PC

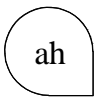
COMPONENTS LIST: I227-471			
No.	Description	Sketch	Quantity
1	Bed rails		2 PCS
2	Slats		4 PCS
3	Decking		6 PCS

COMPONENTS LIST: I227-472			
No.	Description	Sketch	Quantity
1	Footboard		1 PC
2	Support Leg (for slats)		4 PCS

COMPONENTS LIST: I227-472D			
No.	Description	Sketch	Quantity
1	Footboard		1 PC
2	Support Leg (for slats)		4 PCS

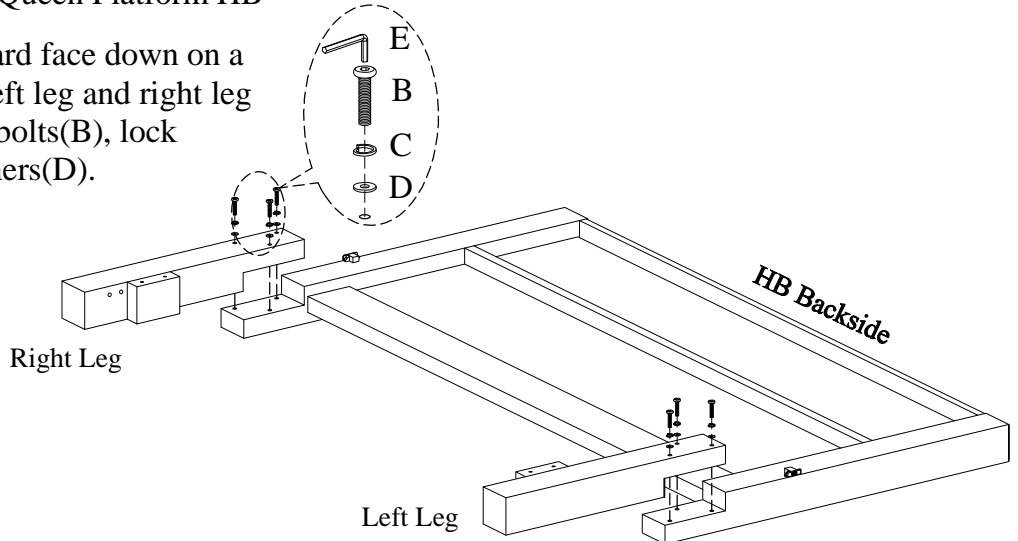
BEFORE USING THIS PRODUCT PLEASE READ, UNDERSTAND, AND FOLLOW THESE INSTRUCTIONS. Save these instructions for future reference.

FOR INDOOR USE ONLY

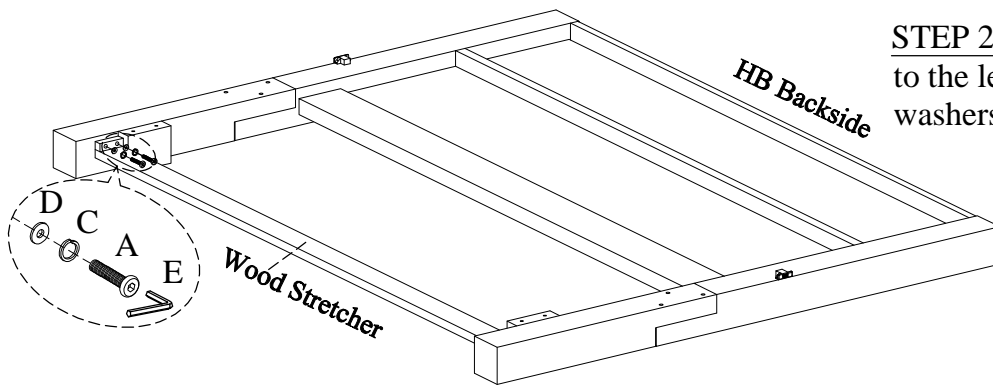


- ITEM NO: I227-471 Queen Platform Rails w/ Decking
- I227-472 Queen Platform FB
- I227-472D Queen Platform Storage FB
- I227-473 Queen Platform HB

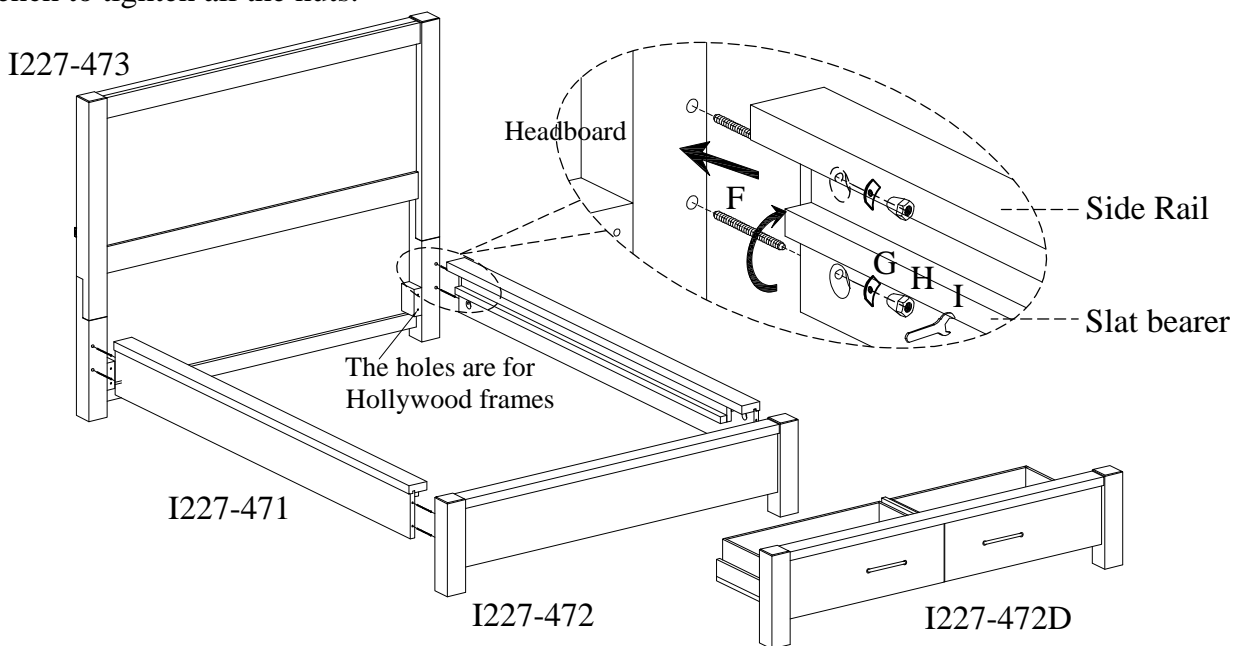
**STEP 1:** Lay the headboard face down on a soft surface. Attach the left leg and right leg to headboard by using 6 bolts(B), lock washers(C) and flat washers(D).

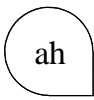


**STEP 2:** Attach the wood stretcher to the legs by using 4 bolts(A), lock washers(C) and flat washers(D).



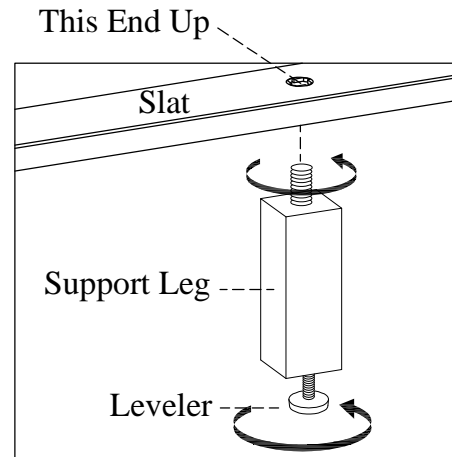
**STEP 3:** Screw the bolts(F) into HB & FB. Align the bolts with the holes in the end of side rails and attach the side rails to HB & FB using half moon washer(G), and hex nuts (H). Then use a hex wrench to tighten all the nuts.



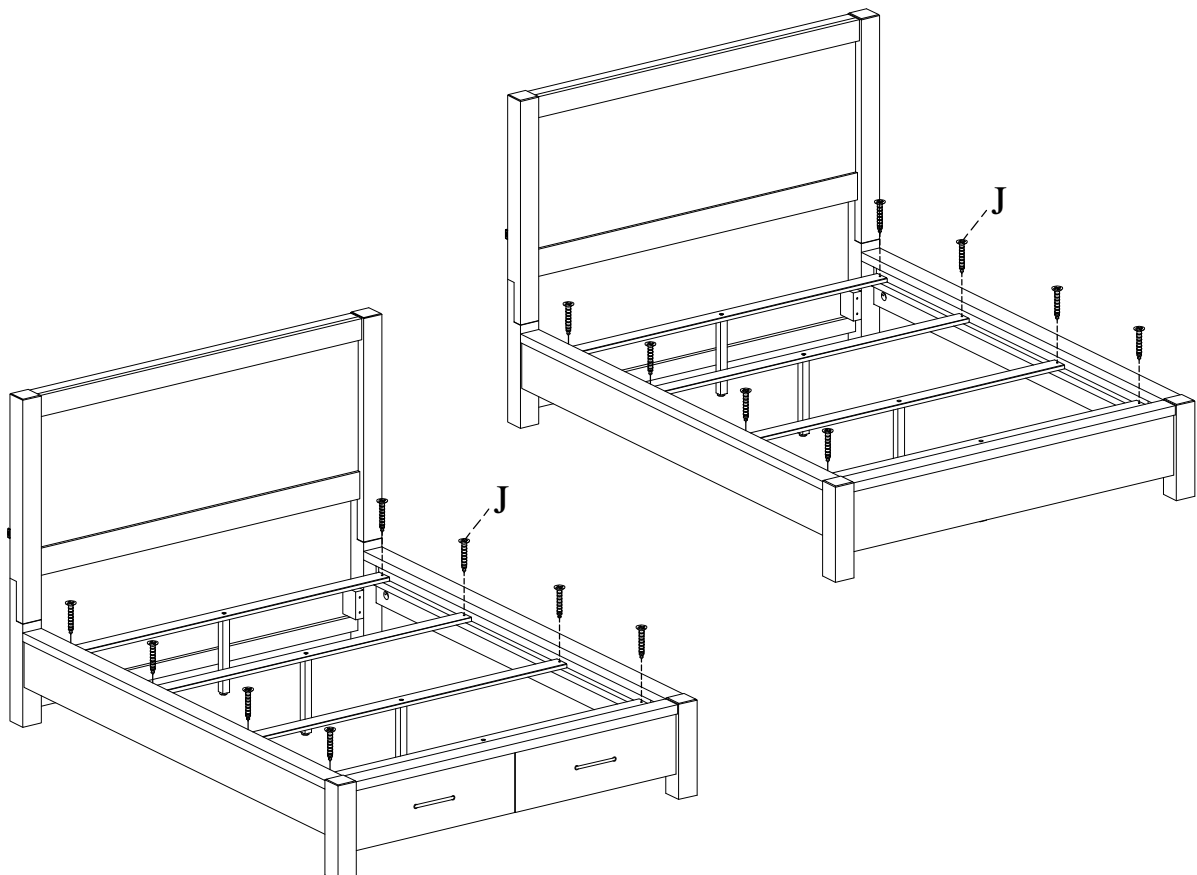


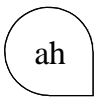
ITEM NO: I227-471 Queen Platform Rails w/ Decking  
I227-472 Queen Platform FB  
I227-472D Queen Platform Storage FB  
I227-473 Queen Platform HB

**STEP 4:** Attach the support legs with leveler to the slats. Adjust the levelers on bottom of support legs when necessary.



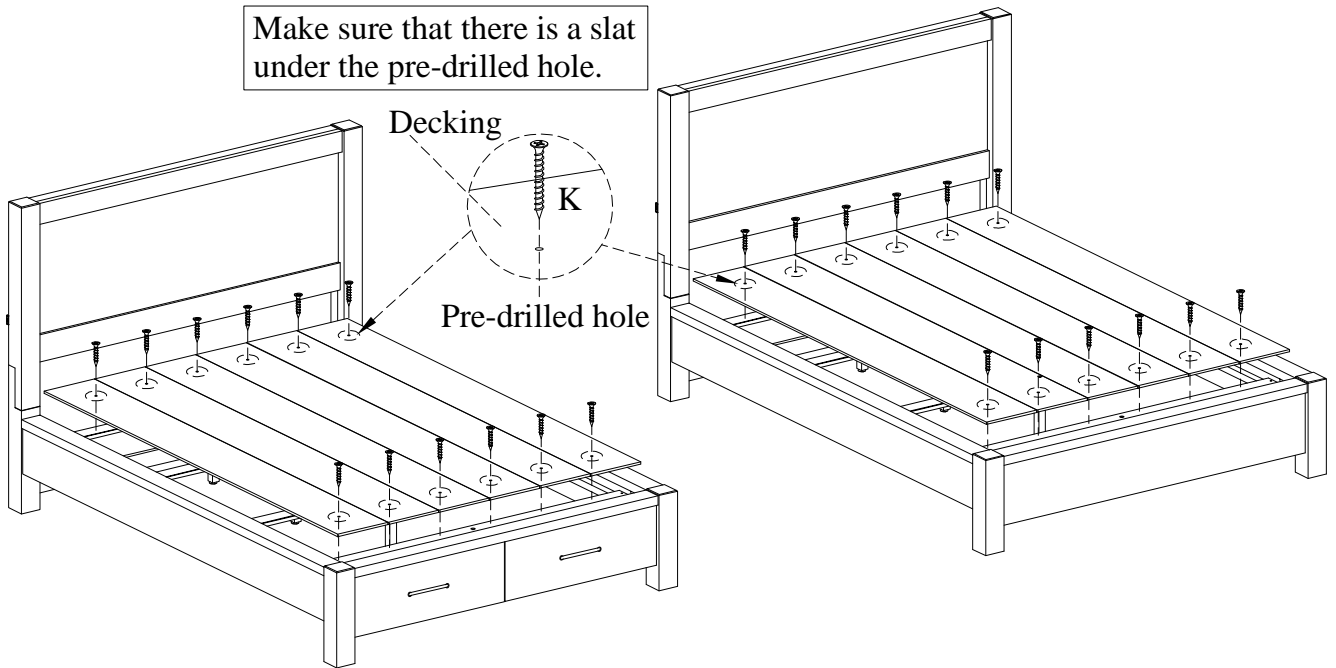
**STEP 5:** Arrange slats on the slat bearers and then lay the decking on top of the slats. Make sure the top and bottom slats are situated underneath the pre-drilled holes as shown below in STEP 6. Remove the decking and attach slats to the slat bearers with wood screws (J).



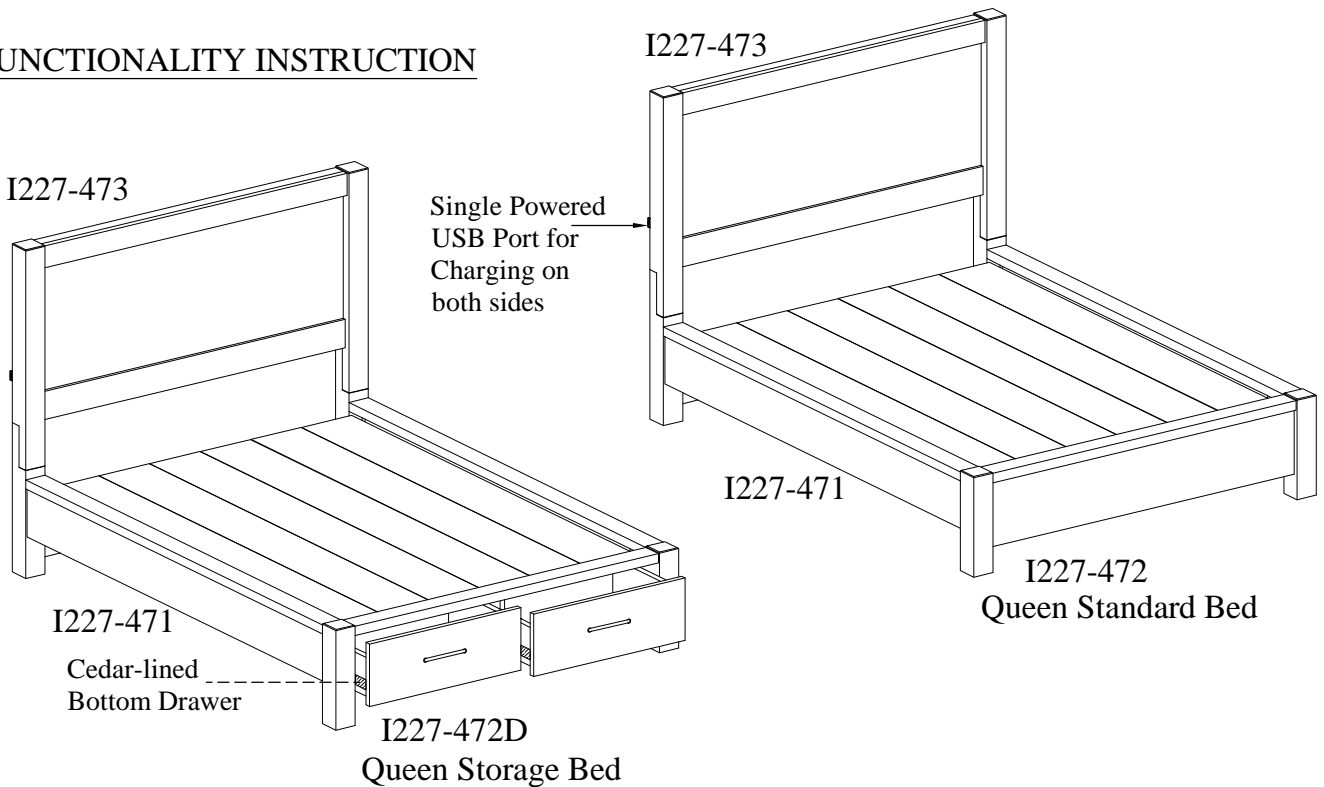


- ITEM NO: I227-471 Queen Platform Rails w/ Decking
- I227-472 Queen Platform FB
- I227-472D Queen Platform Storage FB
- I227-473 Queen Platform HB

**STEP 6:** Put the decking over the slats, secure decking to the slats with wood screws (K) through the pre-drilled holes in the decking as shown below.



### FUNCTIONALITY INSTRUCTION





- ITEM NO: I227-474 King Platform HB  
 I227-475 King Platform Rails w/ Decking  
 I227-476 King Platform FB  
 I227-476D King Platform Storage FB  
 I227-477 Cal King Platform Rails w/ Decking

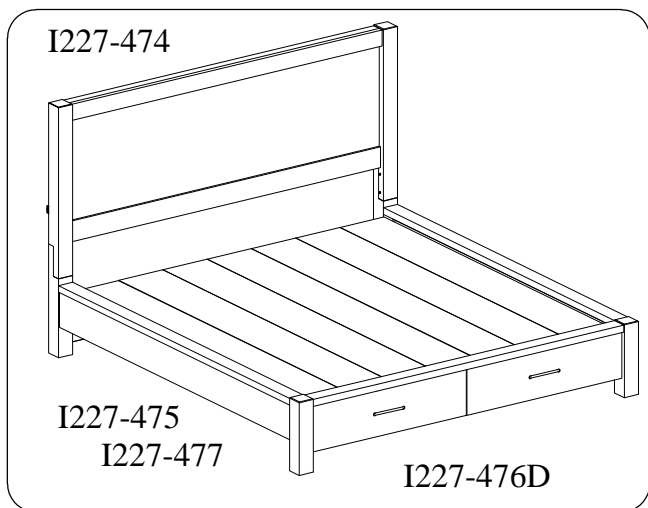
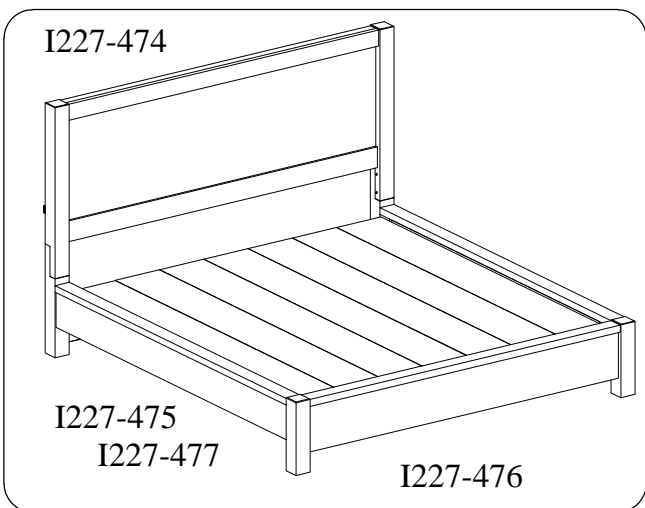
Thank you for purchasing this quality product. Be sure to check all packing material carefully for small parts that may come loose inside the carton during shipment.



**UNIT SHOULD BE INSTALLED BY 2 OR MORE PERSONS.**

All Beds need to be set up in the exact final location so that after full assembly it will not need to be moved. Moving the bed will cause the support legs to move out of perpendicular (90 degree), weaken the support system, and may allow the bed to collapse.

TOOLS REQUIRED (NOT PROVIDED)
PHILLIPS SCREWDRIVER



BEFORE USING THIS PRODUCT PLEASE READ, UNDERSTAND, AND FOLLOW THESE INSTRUCTIONS.  
 Save these instructions for future reference.

FOR INDOOR USE ONLY



- ITEM NO: I227-474 King Platform HB  
 I227-475 King Platform Rails w/ Decking  
 I227-476 King Platform FB  
 I227-476D King Platform Storage FB  
 I227-477 Cal King Platform Rails w/ Decking

### HARDWARE LIST: I227-474

No.	Description	Sketch	Quantity
A	Bolt Ø5/16" x 1-1/2"		4 PCS
B	Bolt Ø5/16" x 2-3/16"		6 PCS
C	Lock Washer Ø5/16"		10 PCS
D	Flat Washer Ø5/16" x 3/4"		10 PCS
E	Allen Wrench M4		1 PC

### HARDWARE LIST: I227-475/477

No.	Description	Sketch	Quantity
F	Hanger Bolt Ø5/16" x 3"		8 PCS
G	Half Moon Washer Ø5/16"		8 PCS
H	Hex Nut Ø5/16"		8 PCS
I	Hex Wrench 13mm		1 PC
J	Wood Screw #4 x 1-1/4"		10 PCS
K	Wood Screw #4 x 3/4"		14 PCS
L	Wood Cap		8 PCS
M	Bolt Ø5/16" x 1-1/2"		4 PCS
N	Lock Washer Ø5/16"		4 PCS
O	Flat Washer Ø5/16" x 3/4"		4 PCS

(Only for -477)

### COMPONENTS LIST: I227-474

No.	Description	Sketch	Quantity
1	Headboard		1 PC
2	Left Leg		1 PC
3	Right Leg		1 PC
4	Wood Stretcher		1 PC

### COMPONENTS LIST: I227-475

No.	Description	Sketch	Quantity
1	Bed rails		2 PCS
2	Slats		5 PCS
3	Decking		7 PCS

### COMPONENTS LIST: I227-477

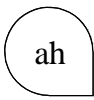
No.	Description	Sketch	Quantity
1	Bed rails		2 PCS
2	Slats		5 PCS
3	Decking		7 PCS
4	Wood block		2 PCS

### COMPONENTS LIST: I227-476

No.	Description	Sketch	Quantity
1	Footboard		1 PC
2	Support Leg (for slats)		10 PCS

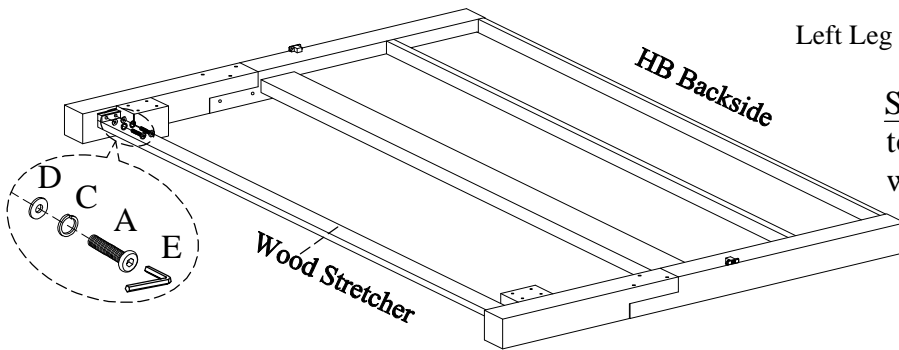
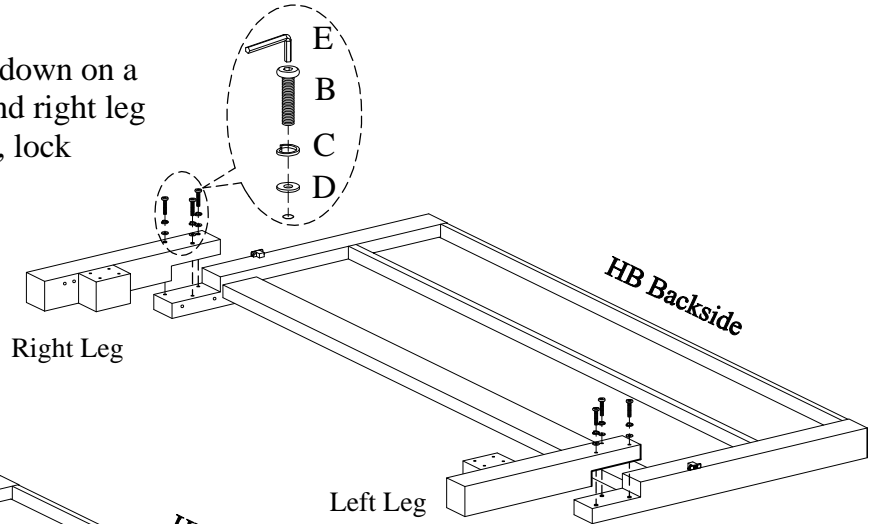
### COMPONENTS LIST: I227-476D

No.	Description	Sketch	Quantity
1	Footboard		1 PC
2	Support Leg (for slats)		10 PCS



- ITEM NO: I227-474 King Platform HB
- I227-475 King Platform Rails w/ Decking
- I227-476 King Platform FB
- I227-476D King Platform Storage FB
- I227-477 Cal King Platform Rails w/ Decking

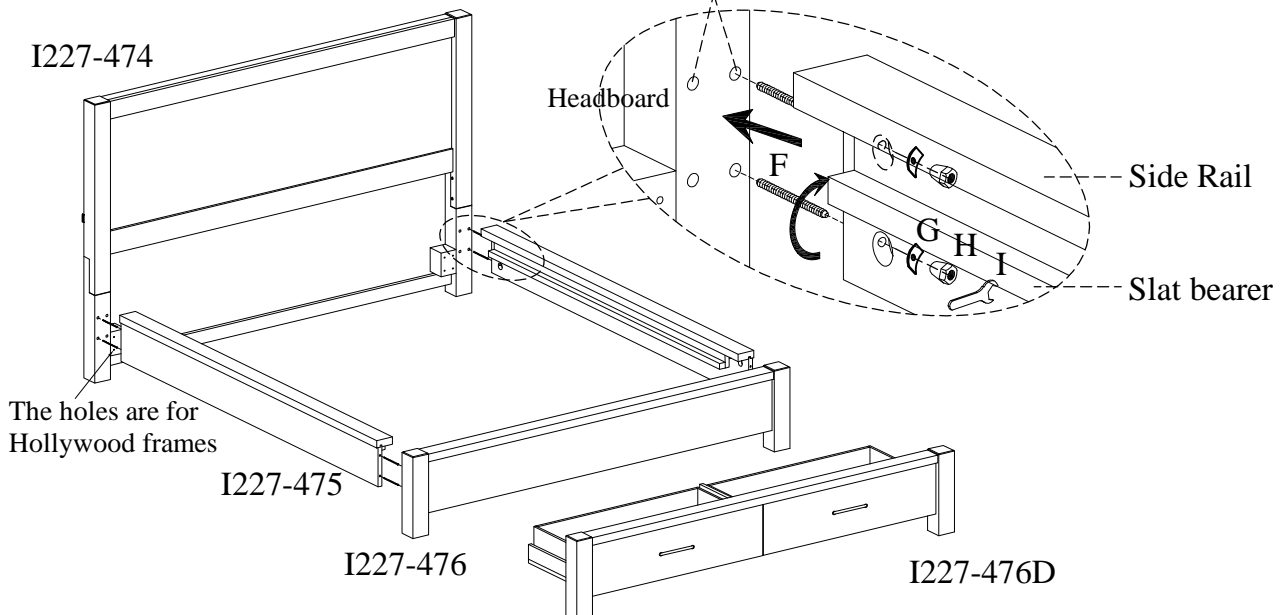
**STEP 1:** Lay the headboard face down on a soft surface. Attach the left leg and right leg to headboard by using 6 bolts(B), lock washers(C) and flat washers(D).

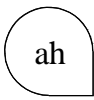


**STEP 2:** Attach the wood stretcher to the legs by using 4 bolts(A), lock washers(C) and flat washers(D).

**STEP 3:** Screw the bolts(F) into HB & FB. Align the bolts with the holes in the end of side rails and attach the side rails to HB & FB using half moon washer(G), and hex nuts (H). Then use a hex wrench to tighten all the nuts.

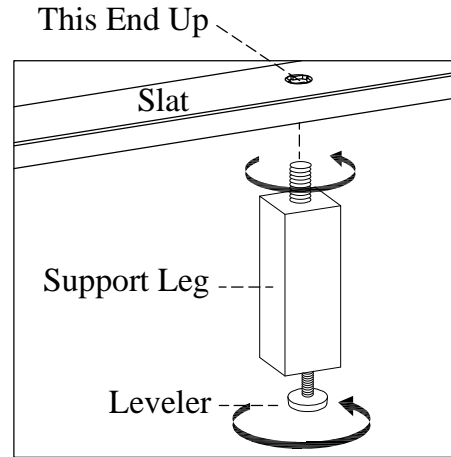
The outside holes match to 6/6 standard king rails, the inside holes match to 6/0 Cal king bed rails.



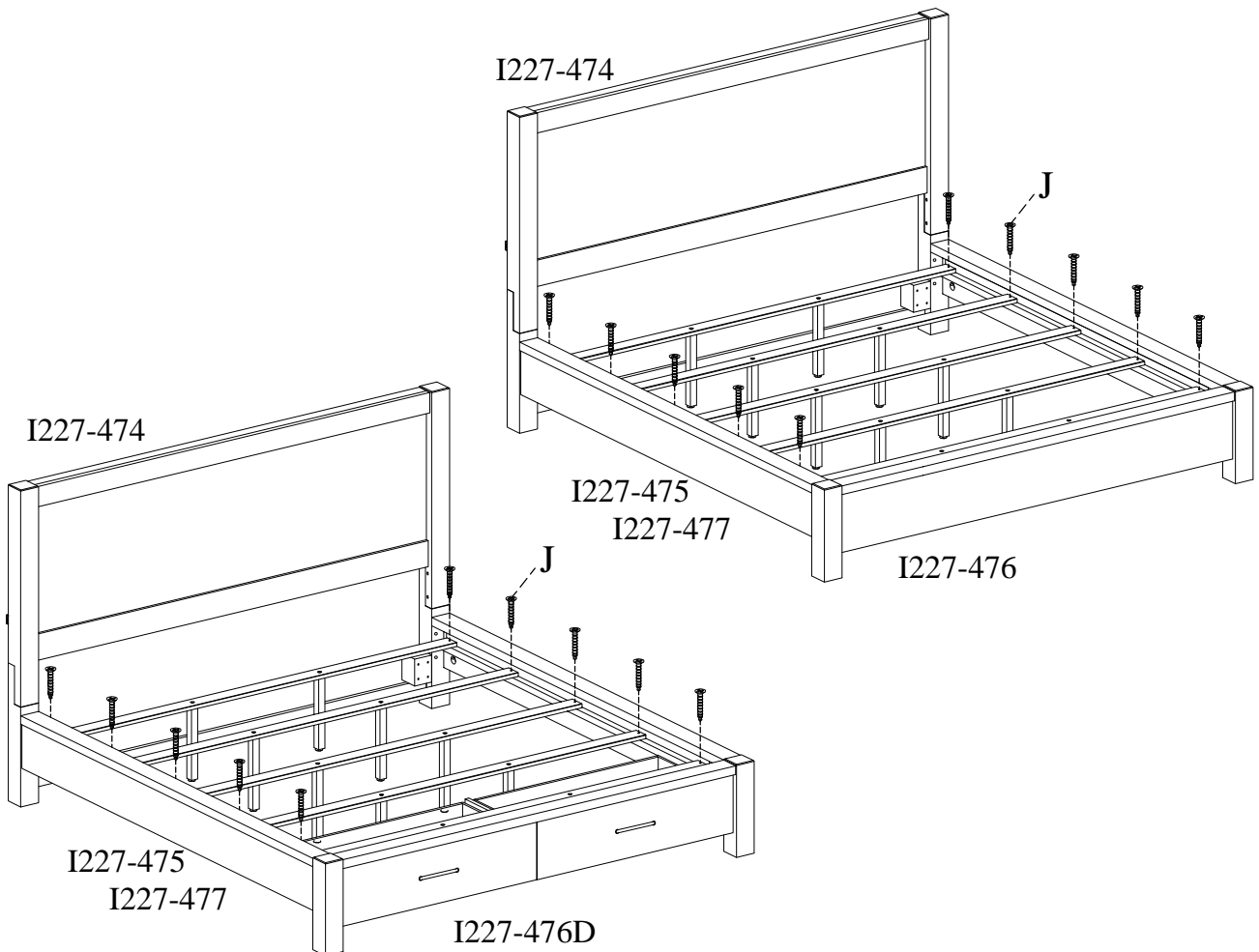


- ITEM NO: I227-474 King Platform HB  
 I227-475 King Platform Rails w/ Decking  
 I227-476 King Platform FB  
 I227-476D King Platform Storage FB  
 I227-477 Cal King Platform Rails w/ Decking

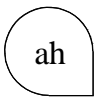
**STEP 4:** Attach the support legs with leveler to the slats. Adjust the levelers on bottom of support legs when necessary.



**STEP 5:** Arrange slats on the slat bearers and then lay the decking on top of the slats. Make sure the top and bottom slats are situated underneath the pre-drilled holes as shown below in STEP 6. Remove the decking and attach slats to the slat bearers with wood screws (J).

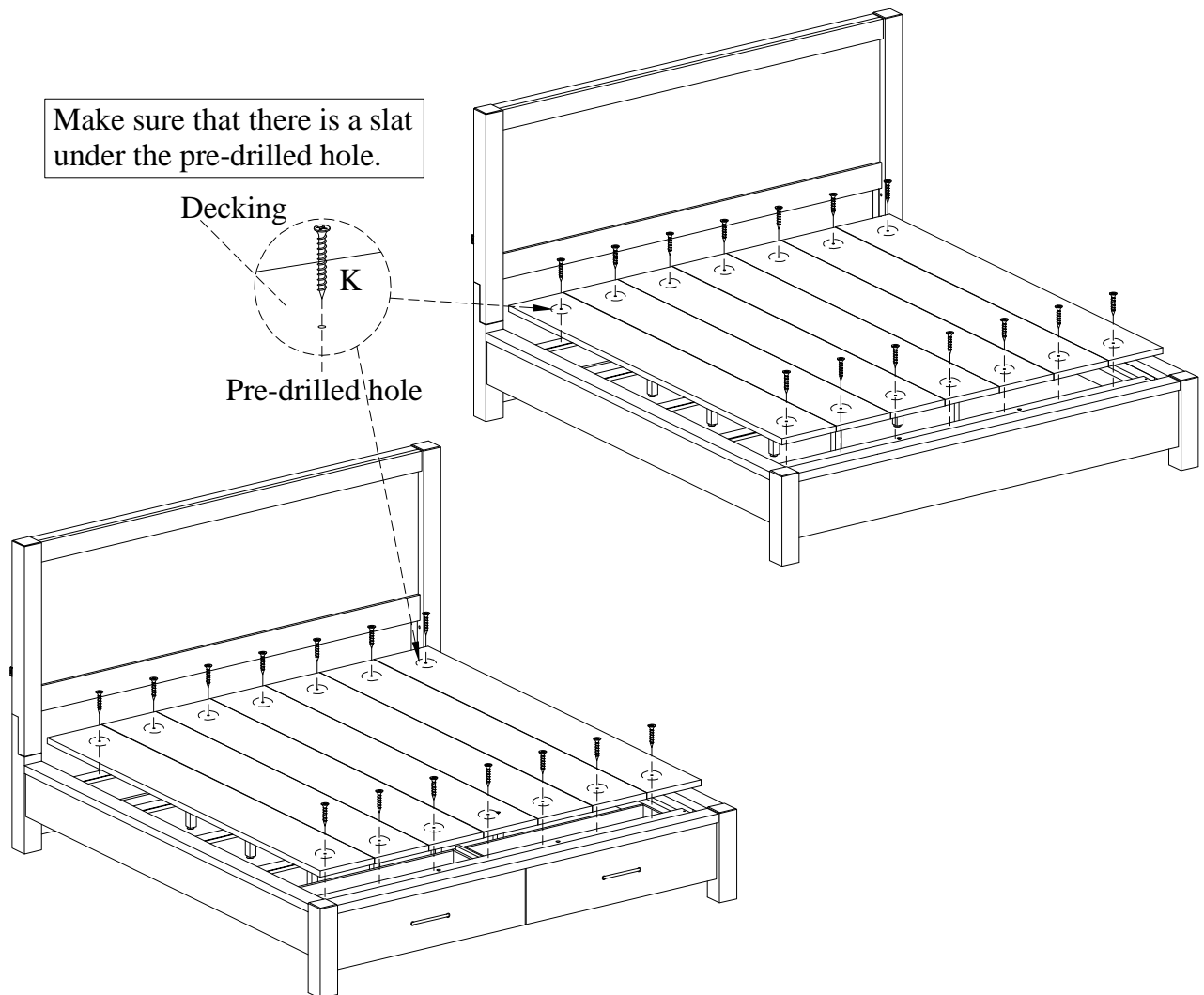




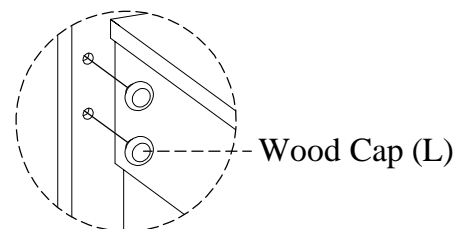


- ITEM NO: I227-474 King Platform HB  
I227-475 King Platform Rails w/ Decking  
I227-476 King Platform FB  
I227-476D King Platform Storage FB  
I227-477 Cal King Platform Rails w/ Decking

**STEP 6:** Put the decking over the slats, secure decking to the slats with wood screws (K) through the pre-drilled holes in the decking as shown below.



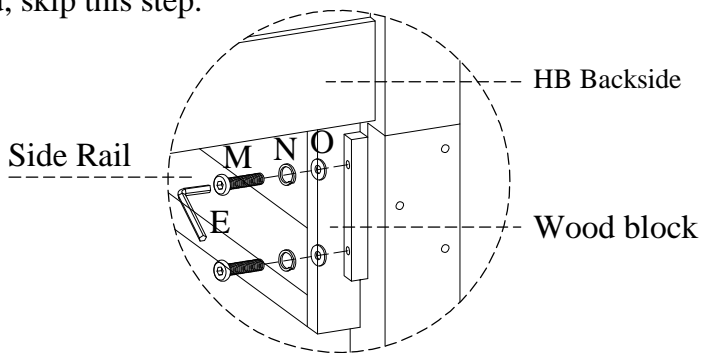
**STEP 7:** For Cal King bed, insert wood caps into the holes on headboard and footboard. For regular King bed, skip this step.





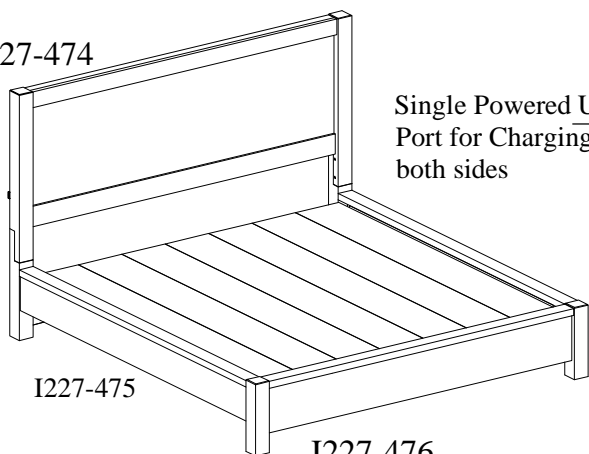
- ITEM NO: I227-474 King Platform HB
- I227-475 King Platform Rails w/ Decking
- I227-476 King Platform FB
- I227-476D King Platform Storage FB
- I227-477 Cal King Platform Rails w/ Decking

**STEP 8:** For Cal King bed, Attach the wood blocks to HB post by using 4 bolts(M),lock washers(N) and flat washers(O). For regular King bed, skip this step.



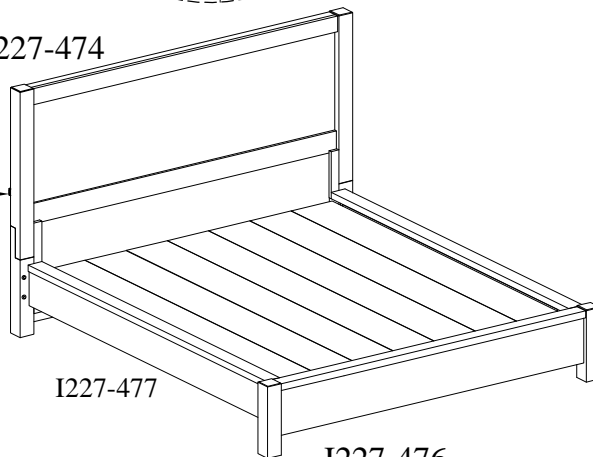
### FUNCTIONALITY INSTRUCTION

I227-474



I227-476  
King Standard Bed

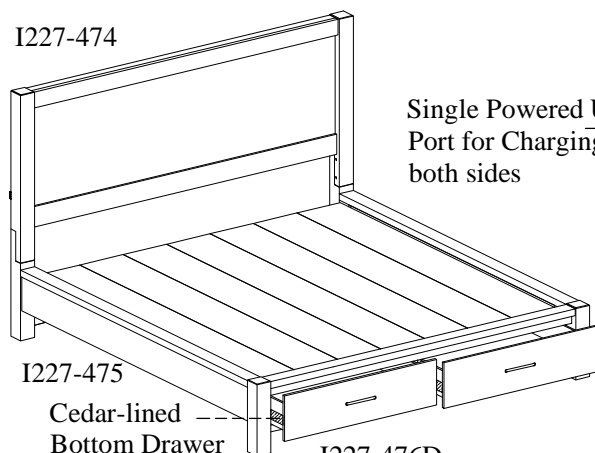
I227-474



I227-476  
Cal King Standard Bed

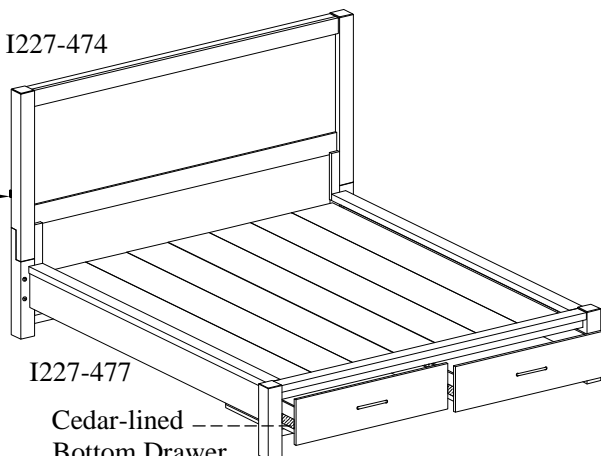
Single Powered USB Port for Charging on both sides

I227-474



I227-476D  
King Storage Bed

I227-474



I227-476D  
Cal King Storage Bed

Single Powered USB Port for Charging on both sides



- ITEM NO: I227-571    Twin Platform Rails w/ Decking  
 I227-572    Twin Platform FB  
 I227-572D    Twin Platform Storage FB  
 I227-573    Twin Platform HB

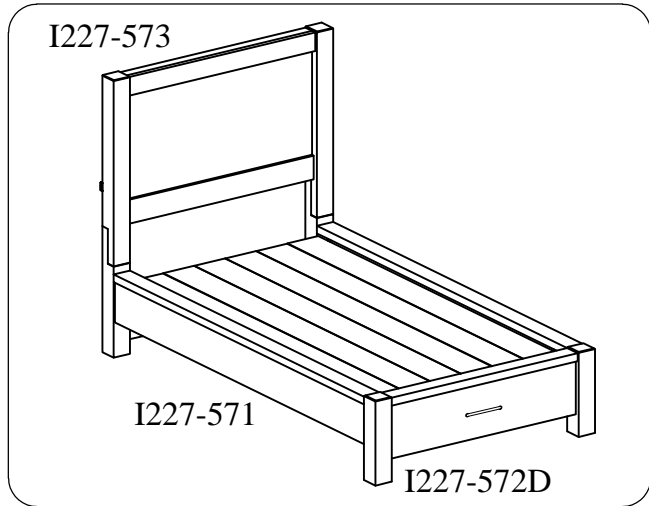
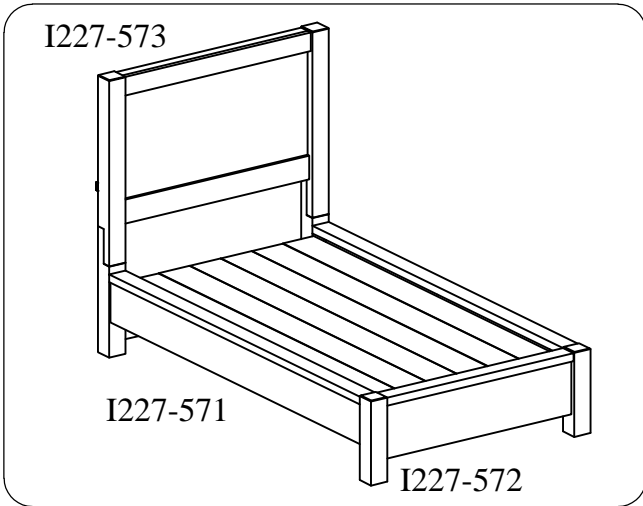
Thank you for purchasing this quality product. Be sure to check all packing material carefully for small parts that may come loose inside the carton during shipment.



**UNIT SHOULD BE INSTALLED BY 2 OR MORE PERSONS.**

All Beds need to be set up in the exact final location so that after full assembly it will not need to be moved. Moving the bed will cause the support legs to move out of perpendicular (90 degree), weaken the support system, and may allow the bed to collapse.

TOOLS REQUIRED (NOT PROVIDED)
PHILLIPS SCREWDRIVER



HARDWARE LIST: I227-573			
No.	Description	Sketch	Quantity
A	Bolt Ø5/16" x 1-1/2"		4 PCS
B	Bolt Ø5/16" x 2-3/16"		6 PCS
C	Lock Washer Ø5/16"		10 PCS
D	Flat Washer Ø5/16" x 3/4"		10 PCS
E	Allen Wrench M4		1 PC

COMPONENTS LIST: I227-573			
No.	Description	Sketch	Quantity
1	Headboard		1 PC
2	Left Leg		1 PC
3	Right Leg		1 PC
4	Wood Stretcher		1 PC

HARDWARE LIST: I227-571			
No.	Description	Sketch	Quantity
F	Hanger Bolt Ø5/16" x 3"		8 PCS
G	Half Moon Washer Ø5/16"		8 PCS
H	Hex Nut Ø5/16"		8 PCS
I	Hex Wrench 13mm		1 PC
J	Wood Screw #4 x 1-1/4"		8 PCS
K	Wood Screw #4 x 3/4"		12 PCS

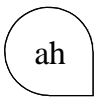
COMPONENTS LIST: I227-571			
No.	Description	Sketch	Quantity
1	Bed rails		2 PCS
2	Slats		4 PCS
3	Decking		6 PCS

COMPONENTS LIST: I227-572			
No.	Description	Sketch	Quantity
1	Footboard		1 PC
2	Support Leg (for slats)		4 PCS

COMPONENTS LIST: I227-572D			
No.	Description	Sketch	Quantity
1	Footboard		1 PC
2	Support Leg (for slats)		4 PCS

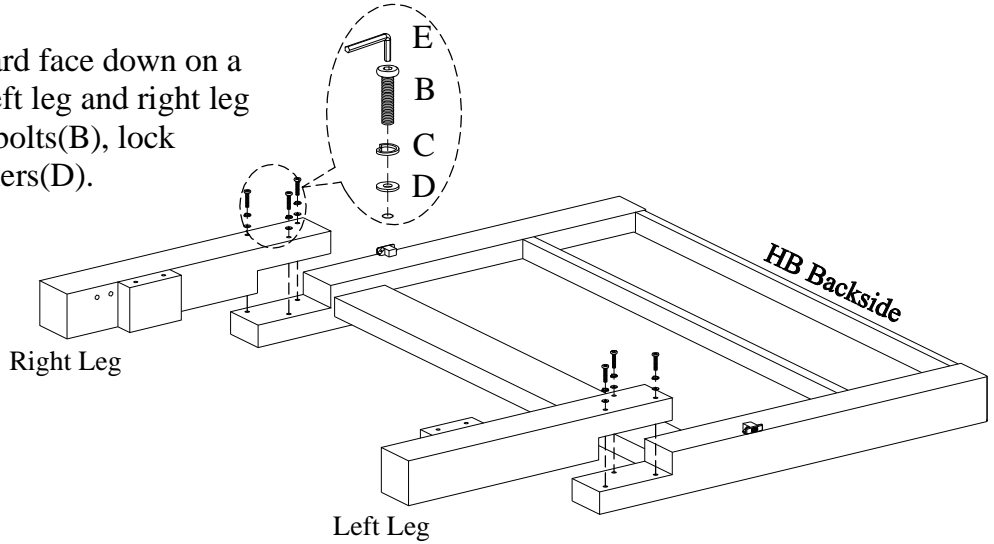
BEFORE USING THIS PRODUCT PLEASE READ, UNDERSTAND, AND FOLLOW THESE INSTRUCTIONS. Save these instructions for future reference.

FOR INDOOR USE ONLY

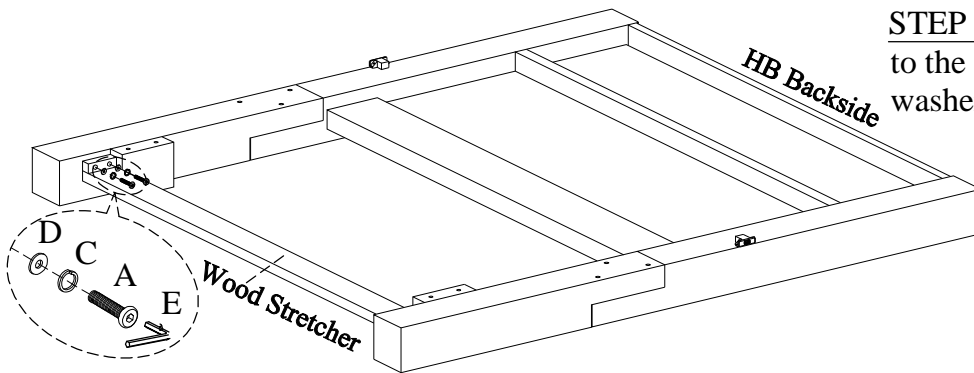


- ITEM NO: I227-571    Twin Platform Rails w/ Decking  
 I227-572    Twin Platform FB  
 I227-572D    Twin Platform Storage FB  
 I227-573    Twin Platform HB

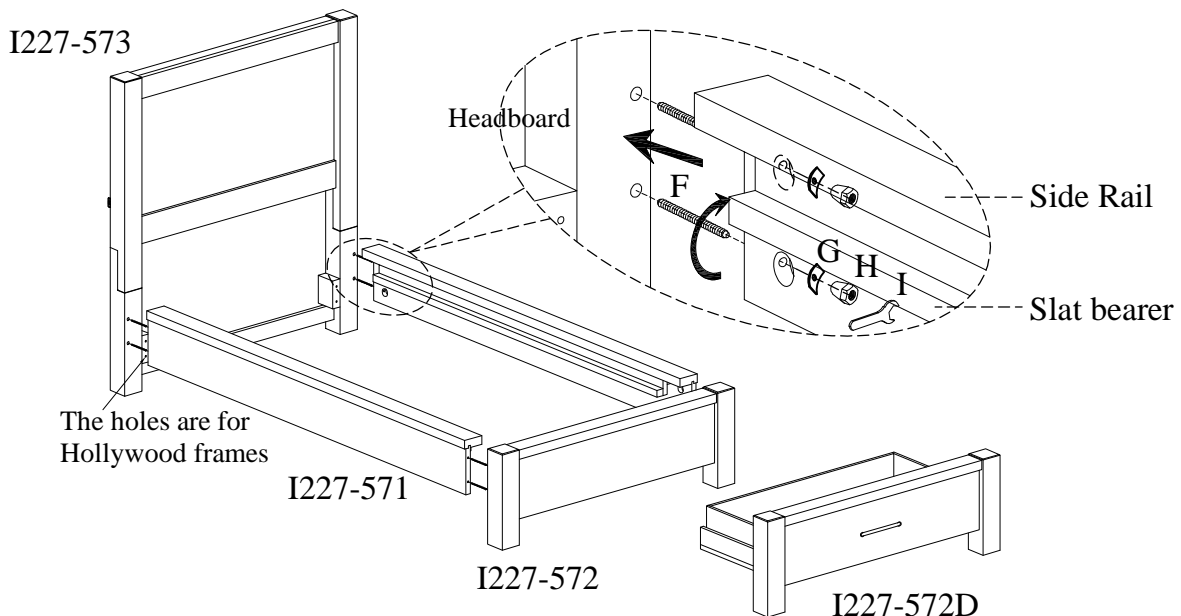
**STEP 1:** Lay the headboard face down on a soft surface. Attach the left leg and right leg to headboard by using 6 bolts(B), lock washers(C) and flat washers(D).

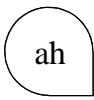


**STEP 2:** Attach the wood stretcher to the legs by using 4 bolts(A), lock washers(C) and flat washers(D).



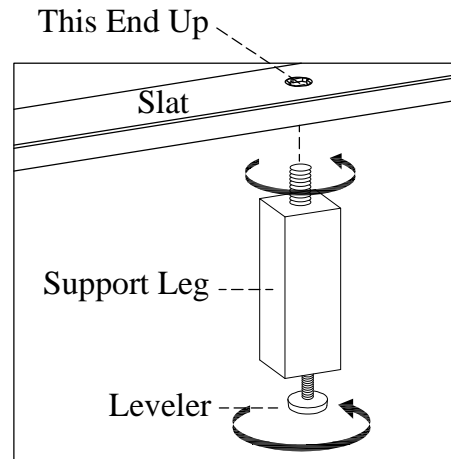
**STEP 3:** Screw the bolts(F) into HB & FB. Align the bolts with the holes in the end of side rails and attach the side rails to HB & FB using half moon washer(G), and hex nuts (H). Then use a hex wrench to tighten all the nuts.



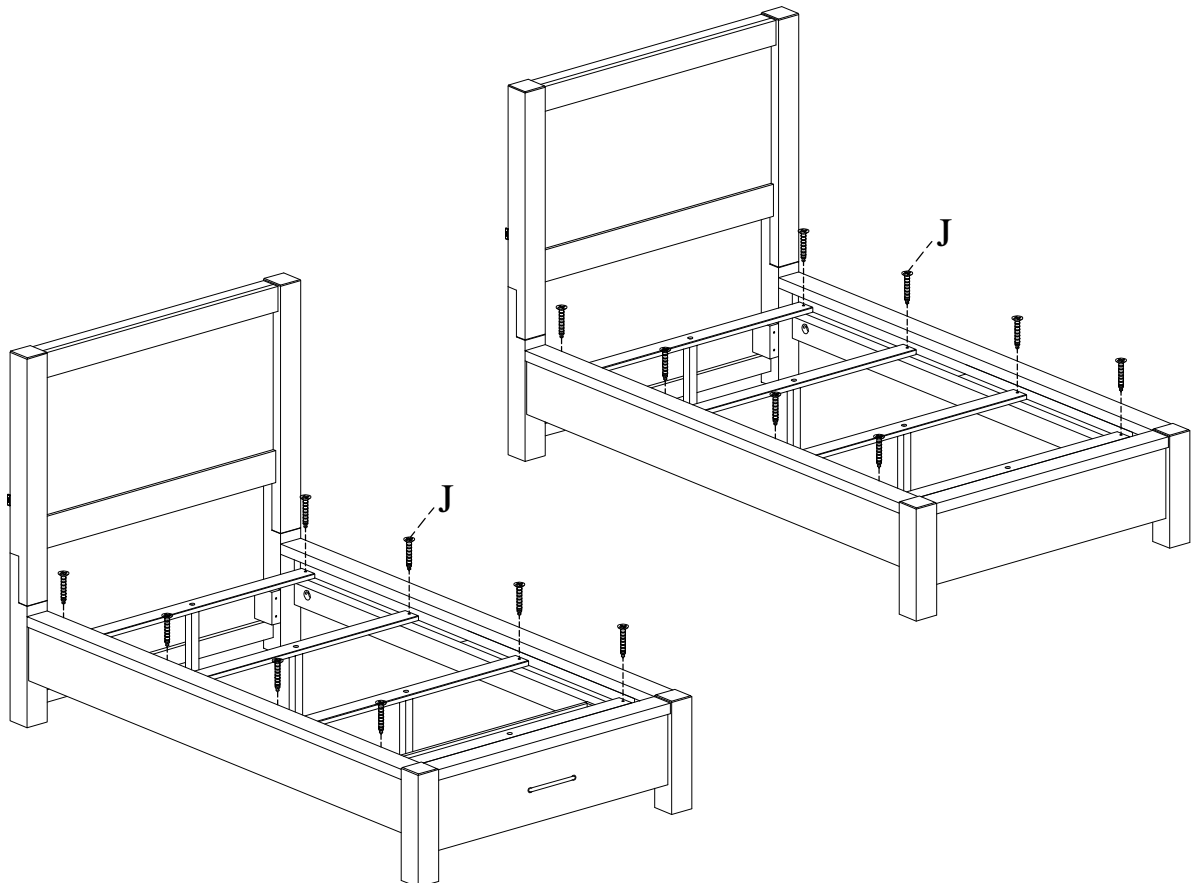


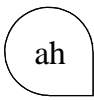
ITEM NO: I227-571    Twin Platform Rails w/ Decking  
I227-572    Twin Platform FB  
I227-572D    Twin Platform Storage FB  
I227-573    Twin Platform HB

**STEP 4:** Attach the support legs with leveler to the slats. Adjust the levelers on bottom of support legs when necessary.



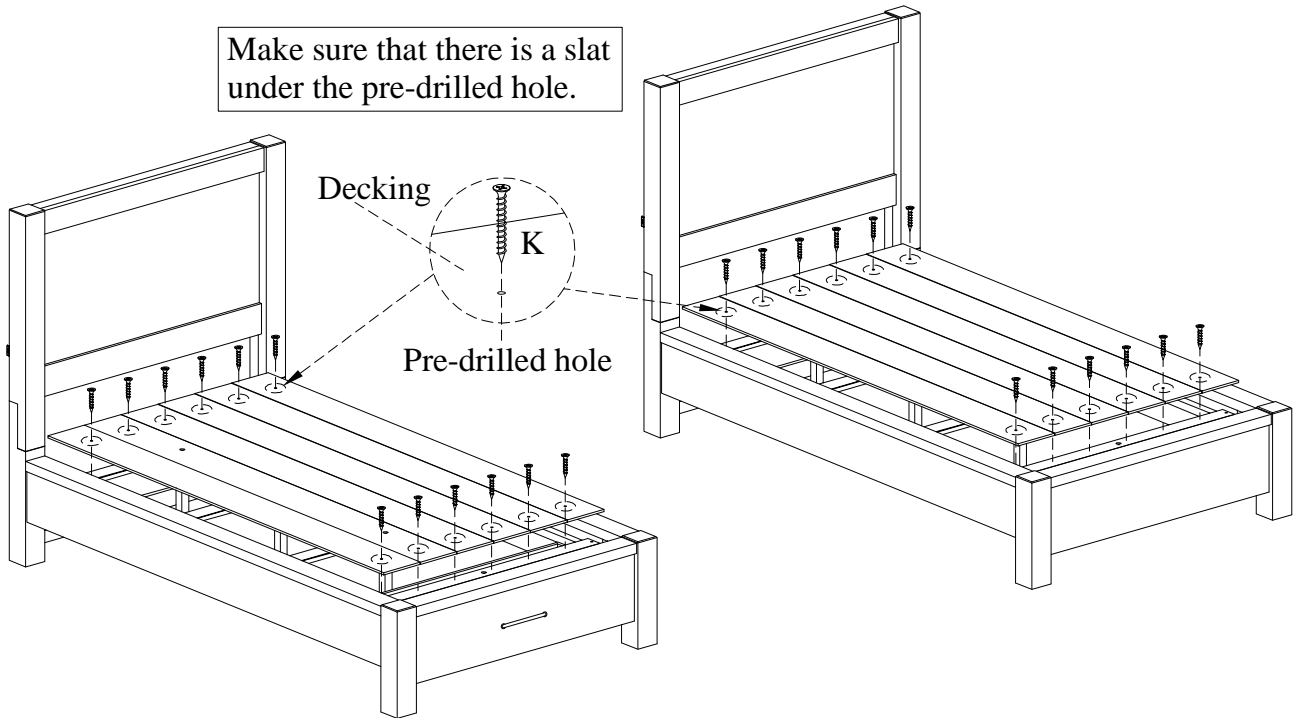
**STEP 5:** Arrange slats on the slat bearers and then lay the decking on top of the slats. Make sure the top and bottom slats are situated underneath the pre-drilled holes as shown below in STEP 6. Remove the decking and attach slats to the slat bearers with wood screws (J).



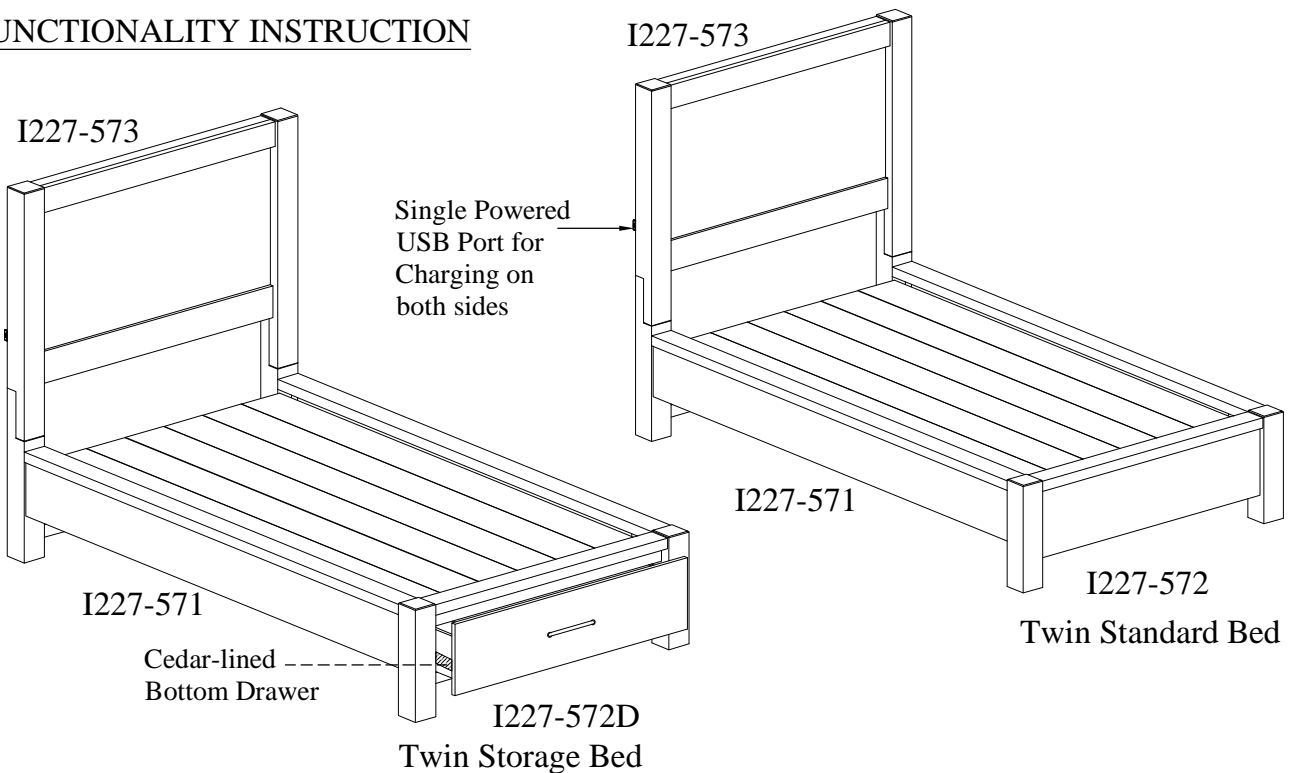


- ITEM NO: I227-571      Twin Platform Rails w/ Decking
- I227-572      Twin Platform FB
- I227-572D     Twin Platform Storage FB
- I227-573      Twin Platform HB

**STEP 6:** Put the decking over the slats, secure decking to the slats with wood screws (K) through the pre-drilled holes in the decking as shown below.



### FUNCTIONALITY INSTRUCTION





- ITEM NO: I227-574 Full Platform HB  
 I227-575 Full Platform Rails w/ Decking  
 I227-576 Full Platform FB  
 I227-576D Full Platform Storage FB

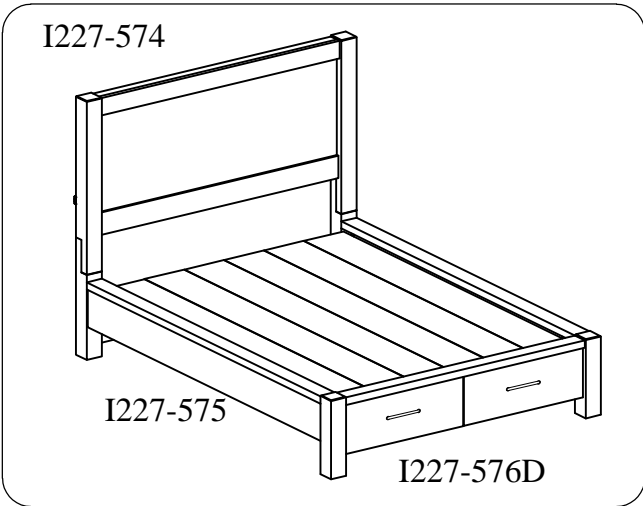
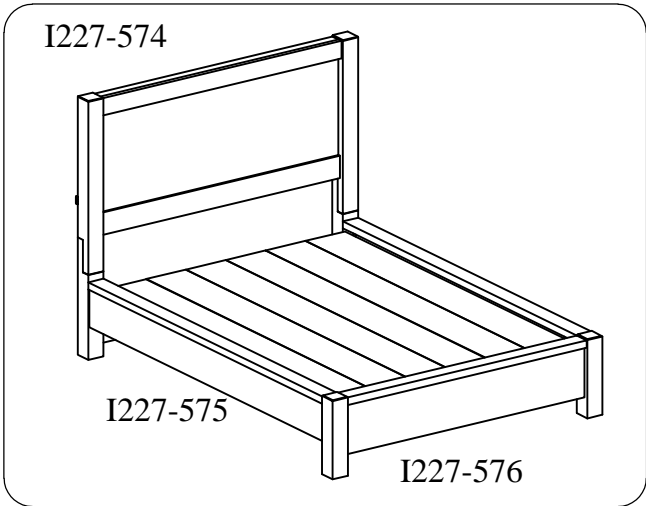
Thank you for purchasing this quality product. Be sure to check all packing material carefully for small parts that may come loose inside the carton during shipment.



**UNIT SHOULD BE INSTALLED BY 2 OR MORE PERSONS.**

All Beds need to be set up in the exact final location so that after full assembly it will not need to be moved. Moving the bed will cause the support legs to move out of perpendicular (90 degree), weaken the support system, and may allow the bed to collapse.

TOOLS REQUIRED (NOT PROVIDED)
PHILLIPS SCREWDRIVER



HARDWARE LIST: I227-574			
No.	Description	Sketch	Quantity
A	Bolt Ø5/16" x 1-1/2"		4 PCS
B	Bolt Ø5/16" x 2-3/16"		6 PCS
C	Lock Washer Ø5/16"		10 PCS
D	Flat Washer Ø5/16" x 3/4"		10 PCS
E	Allen Wrench M4		1 PC

COMPONENTS LIST: I227-574			
No.	Description	Sketch	Quantity
1	Headboard		1 PC
2	Left Leg		1 PC
3	Right Leg		1 PC
4	Wood Stretcher		1 PC

HARDWARE LIST: I227-575			
No.	Description	Sketch	Quantity
F	Hanger Bolt Ø5/16" x 3"		8 PCS
G	Half Moon Washer Ø5/16"		8 PCS
H	Hex Nut Ø5/16"		8 PCS
I	Hex Wrench 13mm		1 PC
J	Wood Screw #4 x 1-1/4"		8 PCS
K	Wood Screw #4 x 3/4"		12 PCS

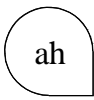
COMPONENTS LIST: I227-575			
No.	Description	Sketch	Quantity
1	Bed rails		2 PCS
2	Slats		4 PCS
3	Decking		6 PCS

COMPONENTS LIST: I227-576			
No.	Description	Sketch	Quantity
1	Footboard		1 PC
2	Support Leg (for slats)		4 PCS

COMPONENTS LIST: I227-576D			
No.	Description	Sketch	Quantity
1	Footboard		1 PC
2	Support Leg (for slats)		4 PCS

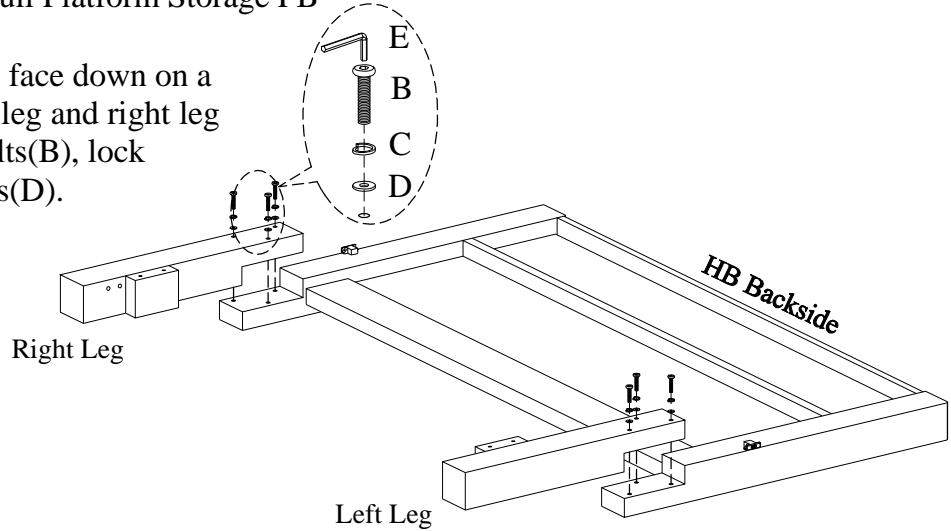
BEFORE USING THIS PRODUCT PLEASE READ, UNDERSTAND, AND FOLLOW THESE INSTRUCTIONS. Save these instructions for future reference.

FOR INDOOR USE ONLY

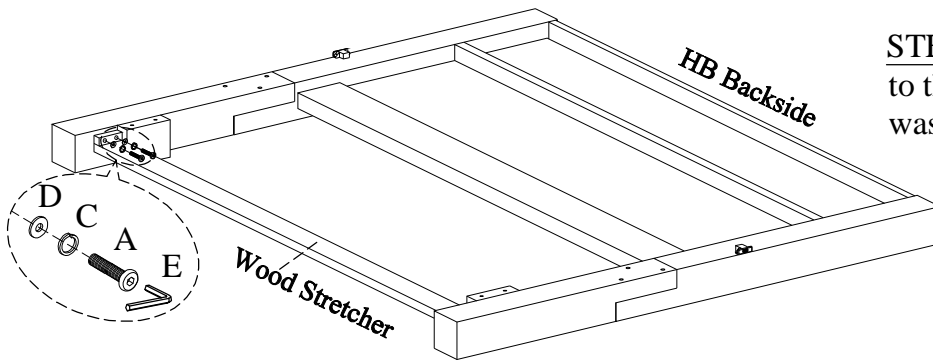


- ITEM NO: I227-574 Full Platform HB  
 I227-575 Full Platform Rails w/ Decking  
 I227-576 Full Platform FB  
 I227-576D Full Platform Storage FB

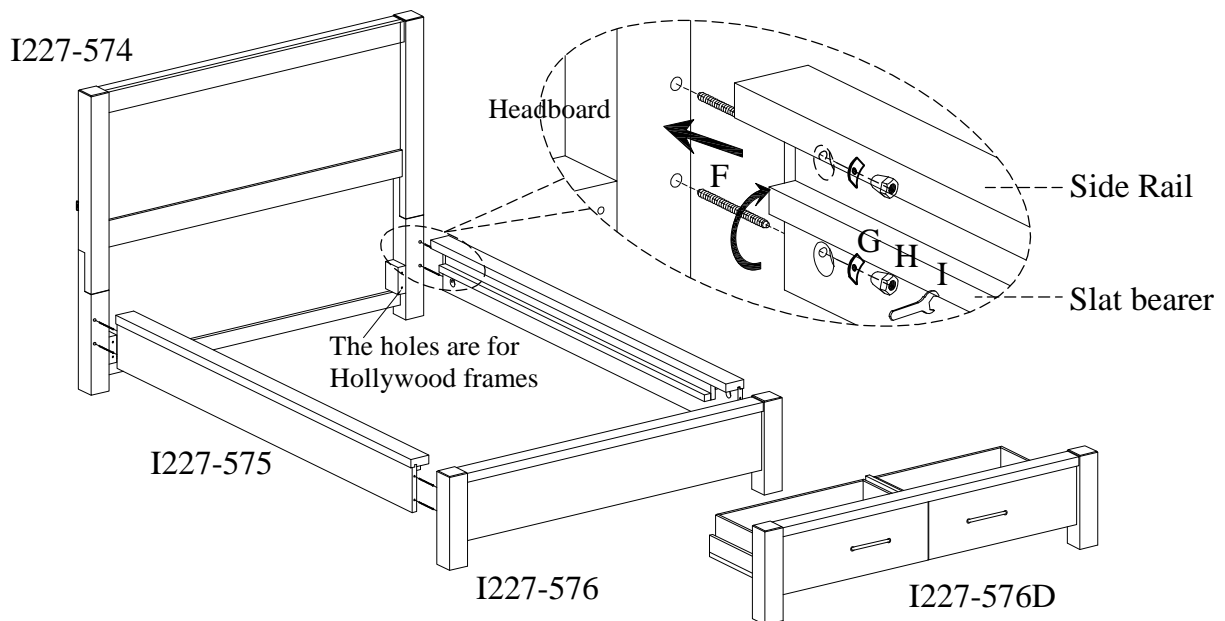
**STEP 1:** Lay the headboard face down on a soft surface. Attach the left leg and right leg to headboard by using 6 bolts(B), lock washers(C) and flat washers(D).



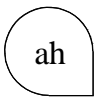
**STEP 2:** Attach the wood stretcher to the legs by using 4 bolts(A), lock washers(C) and flat washers(D).



**STEP 3:** Screw the bolts(F) into HB & FB. Align the bolts with the holes in the end of side rails and attach the side rails to HB & FB using half moon washer(G), and hex nuts (H). Then use a hex wrench to tighten all the nuts.

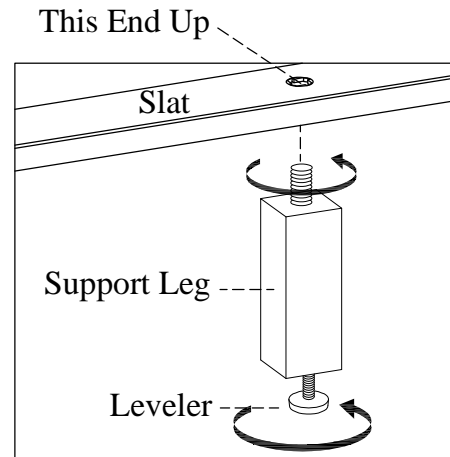




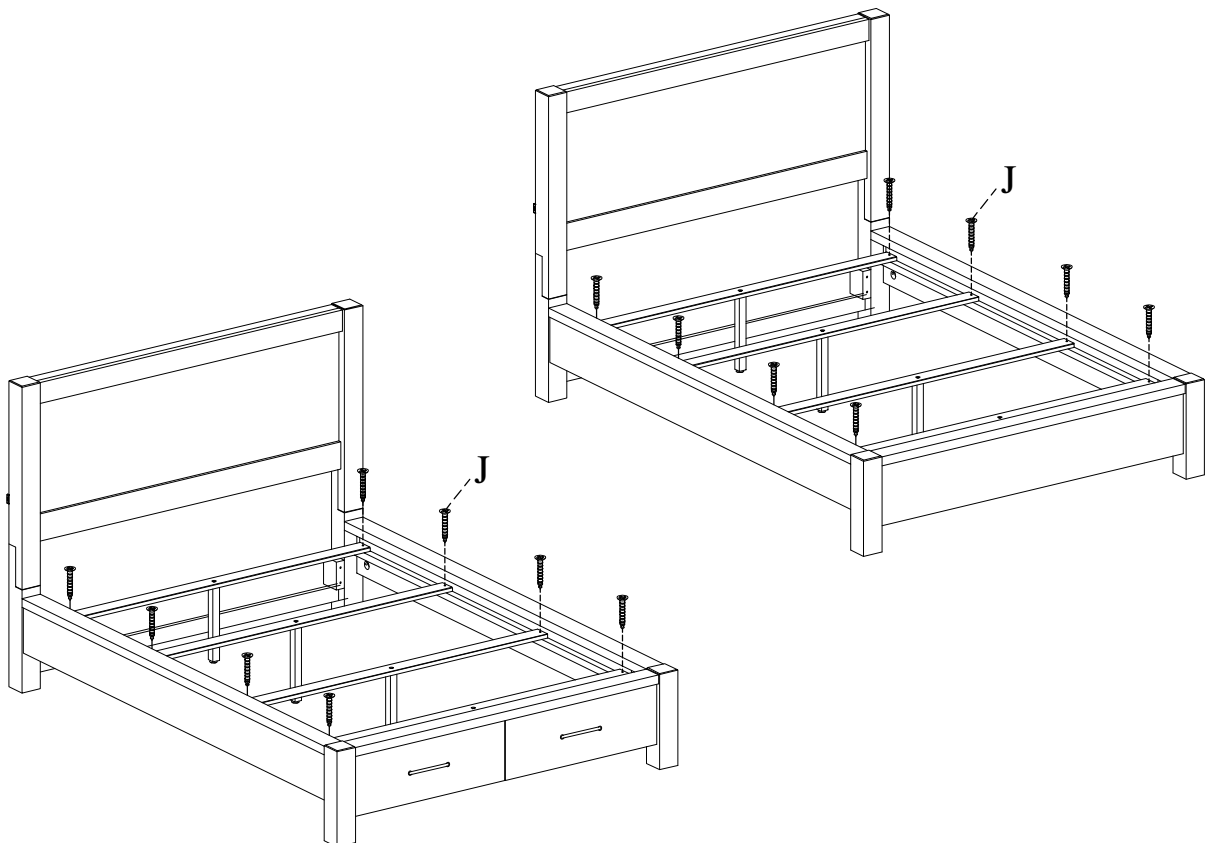


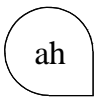
ITEM NO: I227-574 Full Platform HB  
I227-575 Full Platform Rails w/ Decking  
I227-576 Full Platform FB  
I227-576D Full Platform Storage FB

**STEP 4:** Attach the support legs with leveler to the slats. Adjust the levelers on bottom of support legs when necessary.



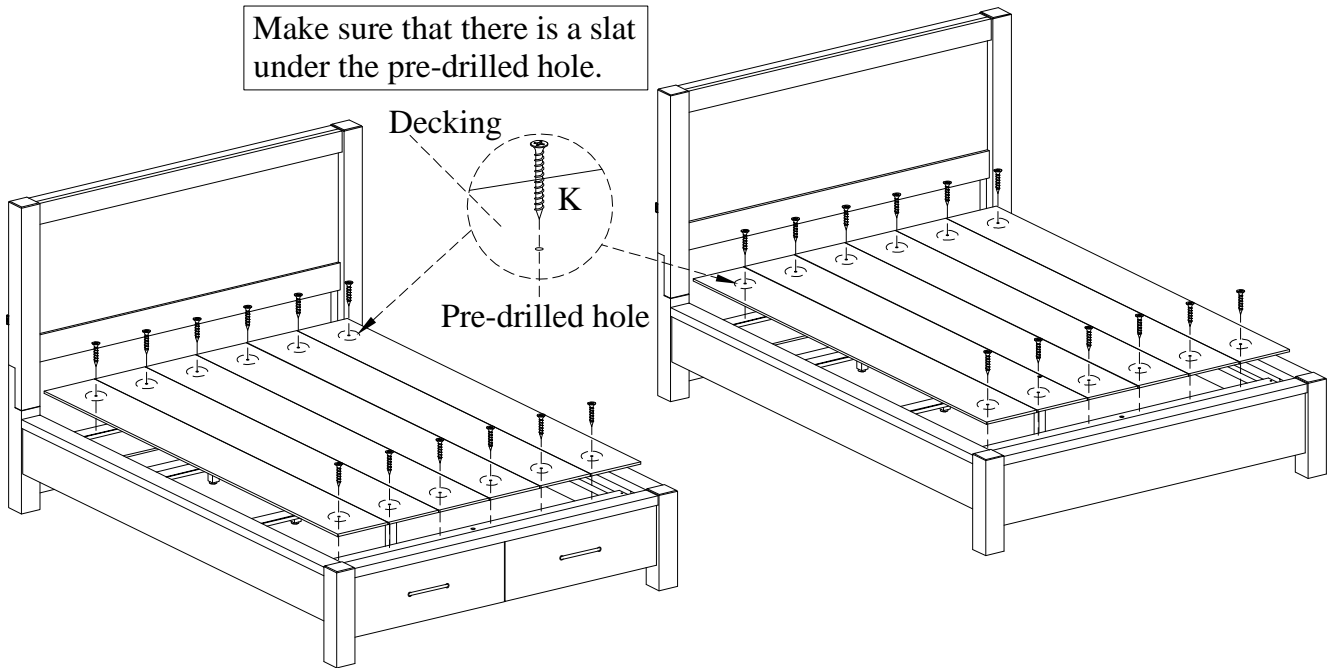
**STEP 5:** Arrange slats on the slat bearers and then lay the decking on top of the slats. Make sure the top and bottom slats are situated underneath the pre-drilled holes as shown below in STEP 6. Remove the decking and attach slats to the slat bearers with wood screws (J).





- ITEM NO: I227-574 Full Platform HB
- I227-575 Full Platform Rails w/ Decking
- I227-576 Full Platform FB
- I227-576D Full Platform Storage FB

**STEP 6:** Put the decking over the slats, secure decking to the slats with wood screws (K) through the pre-drilled holes in the decking as shown below.



### FUNCTIONALITY INSTRUCTION

