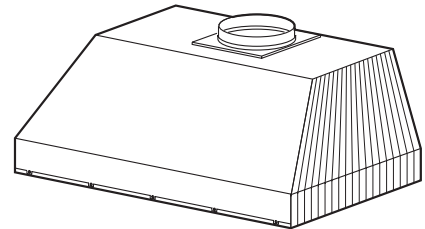


# CP57E SERIES RANGE HOODS



Specially designed to be installed in a custom hood and used over residential, commercial-style cooking surfaces.

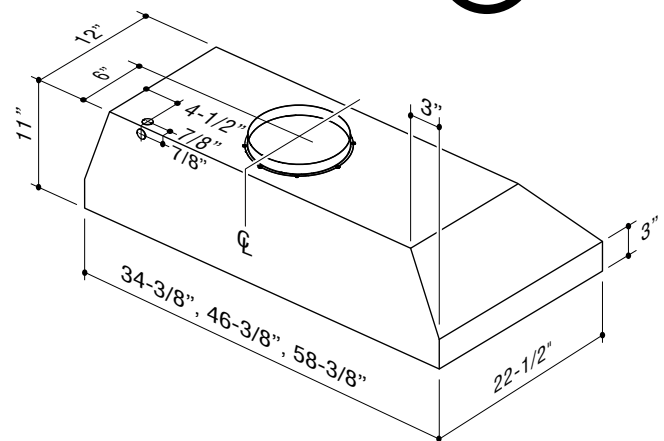
A complete installation requires several optional components. Refer to page 2 when planning your installation.

### FEATURES

- Cabinet mount - custom applications
- Finish: 430 Stainless Steel #4 Brushed
- Widths: 34-3/8", 46-3/8", 58-3/8"
- Depth: 22-1/2"
- Backdraft damper
- 1-Level LED lighting (2 LED modules - 34-3/8" & 46-3/8" widths, 4 LED modules - 58-3/8" width, 6 Watts Max. each) 3000K nominal
- Easily accessible, dishwasher safe stainless steel Hi-Flow™ baffle filters with handles
- 4-speed electronic blower control
- Delay timer control automatically shuts off range hood after 10 minutes
- Heat Sentry™ - automatically turns blower to high speed when excess cooking heat is detected
- Special control indicates when it's time to clean the filter
- Use with exterior-mounted or attic-installed remote blowers for different levels of exhaust capacity (see specifications)
- For indoor use only
- Remote control (optional) (Model ACR2 or ACR3)

### SPECIFICATIONS

WITH OPTIONAL BLOWER MODELS		BLOWER CFM	VOLTS	AMPS	DUCT
EB6	wall or roof mount remote blowers	600 max.	120	1.0 max. (lights only) + 6.0 max. (blower only)	10-in. round at the hood  See blower specs for duct requirements.
EB9		900 max.			
EB12		1200 max.			
EB15		1500 max.			
ILB3	attic installed inline blowers	280 max.	120	1.0 max. (lights only) + 6.0 max. (blower only)	10-in. round at the hood  See blower specs for duct requirements.
ILB6		600 max.			
ILB9		800 max.			
ILB11		1100 max.			

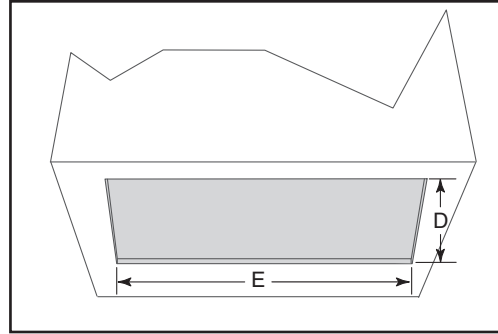


BEST Hartford, Wisconsin [www.BestRangeHoods.com](http://www.BestRangeHoods.com) 800-558-1711  
 BEST Drummondville, QC, Canada [www.BestRangeHoods.com](http://www.BestRangeHoods.com) 866-737-7770

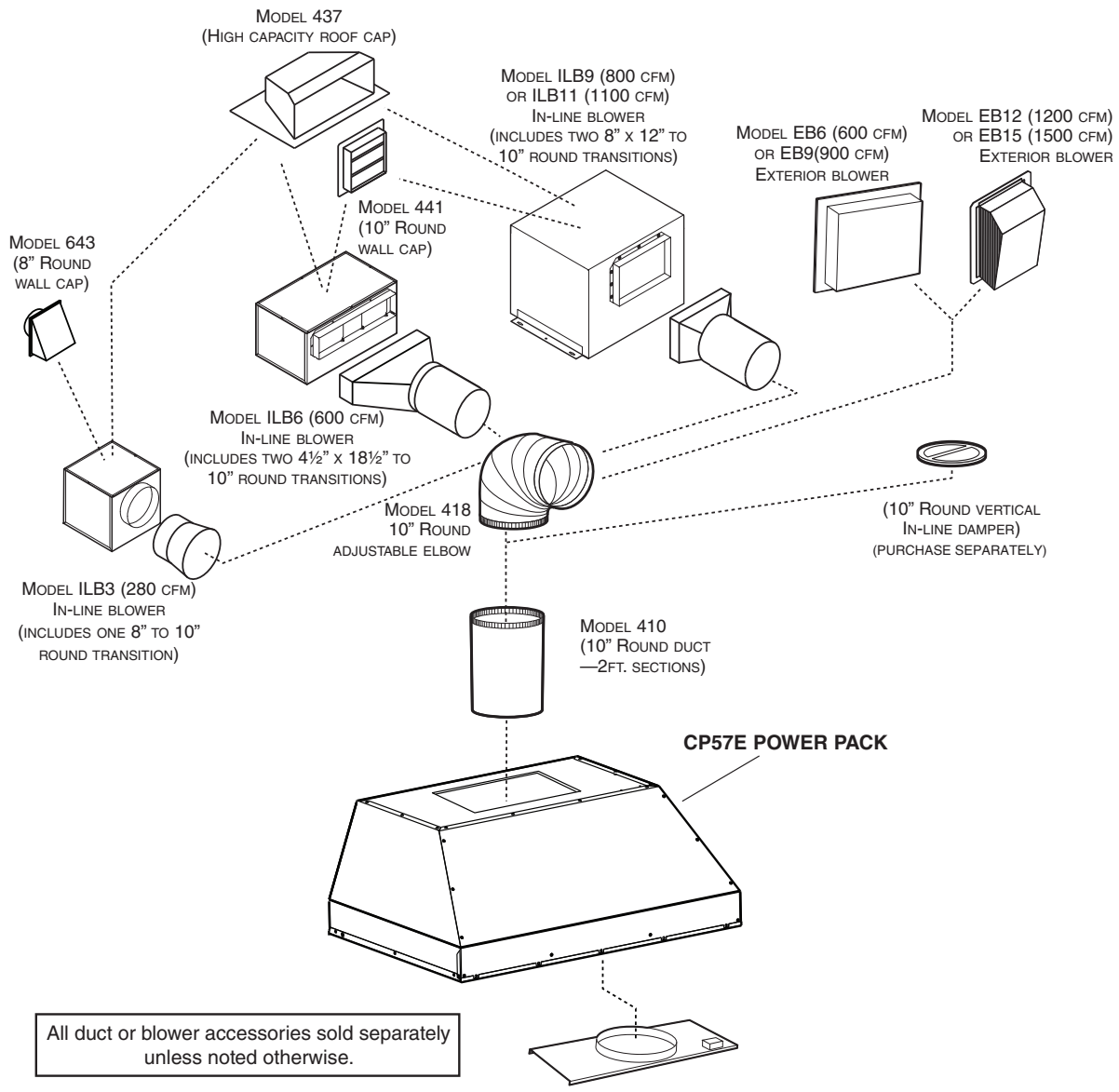
REFERENCE	QTY.	REMARKS	Project
			Location
			Architect
			Engineer
			Contractor
			Submitted by <span style="float: right;">Date</span>

To minimize the gap around the power pack, take actual width and depth measurements of power pack and add 1/16" to get D and E measurements. Cut the hole in the bottom of the cabinet according to dimensions. See chart and illustration for details.

POWER PACK		CUTOUT DIMENSIONS	
SERIES	WIDTH	D	E
CP57E	36"	22 $\frac{5}{8}$ "	34 $\frac{1}{2}$ "
	48"	22 $\frac{5}{8}$ "	46 $\frac{1}{2}$ "
	60"	22 $\frac{5}{8}$ "	58 $\frac{1}{2}$ "



## CP57E SERIES HOOD SYSTEM



BEST Hartford, Wisconsin [www.BestRangeHoods.com](http://www.BestRangeHoods.com) 800-558-1711  
 BEST Mississauga, Ontario [www.BestRangeHoods.com](http://www.BestRangeHoods.com) 877-896-1119