

30" Over-the-Range Convection Microwave



Benchmark® Series – Stainless Steel HMVP053U



HMVP053U
Stainless Steel

The OTR microwave's convection cooking capability allows it to be used as a second oven.

Features & Benefits

Convection cooking delivers oven-like results.

Stainless steel cavity is durable and makes cleanup easier.

A multi-speed vent efficiently removes steam, smoke, grease and odors.

The OTR microwave is designed to install with a Bosch slide-in range or cooktop.

Triple distribution offers more even cooking.

General Properties

Cavity material	Stainless steel
Max. microwave power (W)	1,000 W
Max. extraction rate (CFM)	385 CFM
Ducted	Yes
Ductless	Yes
Duct size	3 1/4" x 10"

Capacity

Cavity capacity (cu. ft.)	1.8 cu. ft.
Turntable diameter (in.)	14 3/16"

Technical Details

Watts (W)	1,450 W
Circuit breaker (A)	15 A
Volts (V)	120 V
Frequency (Hz)	60 Hz
Power cord length (in)	39"
Plug type	120V-3 prong

Dimensions & Weight

Overall appliance dimensions (HxWxD) (in)	17 1/2" x 29 7/8" x 15 7/8"
Required cutout size (HxWxD) (in)	16 1/2" Min x 30" x 12" Min - 14" Max
Net weight (lbs)	54 lbs

Accessories—Included

Included	Two level cooking rack
----------	------------------------



For help and assistance with Bosch accessories please visit: www.bosch-eshop.com/eshop/bosch/us or call 1-800-944-2904 Mon-Fri 5am to 6pm PST Sat 6am to 3pm PST

Notes: All height, width and depth dimensions are shown in inches. BSH reserves the absolute and unrestricted right to change product materials and specifications, at any time, without notice. Consult the product's installation instructions for final dimensional data and other details prior to making cutout. Applicable product warranty can be found in accompanying product literature or you may contact your account manager for further details.

Warranties: Bosch warrants that the Product is free from defects in materials and workmanship for a period of three hundred and sixty-five (365) days from the date of purchase. The foregoing timeline begins to run upon the date of purchase, and shall not be stalled, tolled, extended, or suspended, for any reason whatsoever. This Product is also warranted to be free from cosmetic defects in material and workmanship (such as scratches of stainless steel, paint/porcelain blemishes, chip, dents, or other damage) to the finish of the Product, for a period of thirty (30) days from the date of purchase or closing date for new construction. This cosmetic warranty excludes slight color variations due to inherent differences in painted and porcelain parts, as well as differences caused by kitchen lighting, product location, or other similar factors. This cosmetic warranty specifically excludes any display, floor, "As Is", or "B" stock appliances.

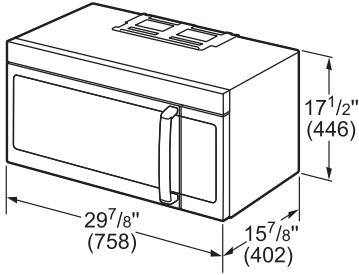
For more information on our entire line of products, go to www.bosch-home.com/us or call 1-800-944-2904

© BSH Home Appliances Corporation. All rights reserved. Bosch is a registered trademark of Robert Bosch GmbH.

30" Over-the-Range Convection Microwave

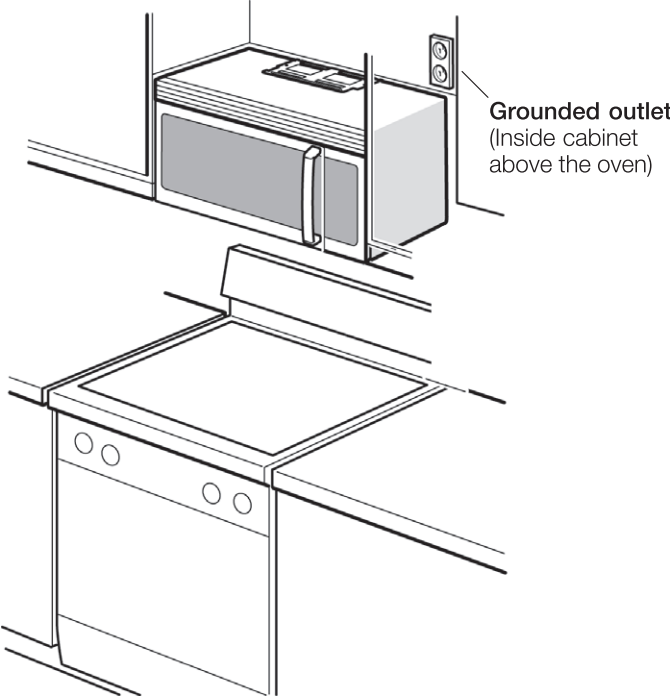
Benchmark® Series – Stainless Steel HMVP053U

Installation Details

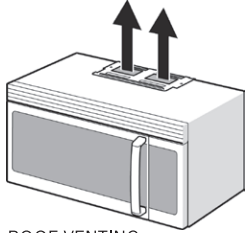


measurements in inches (mm)

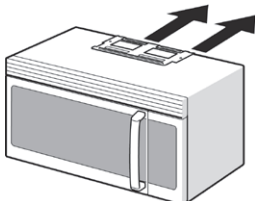
Electrical Connection



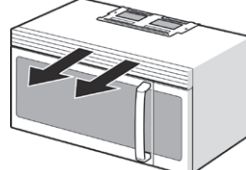
Venting Options



ROOF VENTING

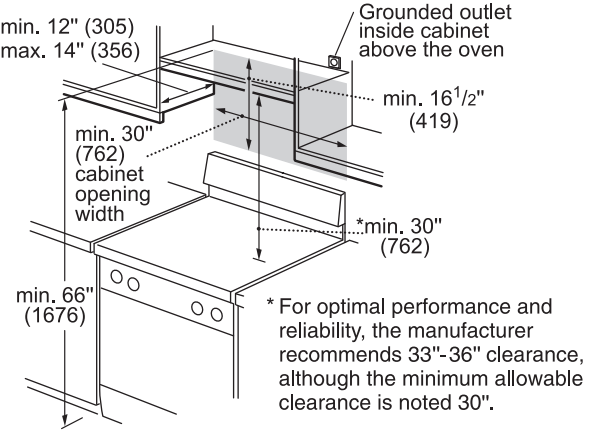


WALL VENTING



ROOM VENTING

Clearance Above Cooktop



* For optimal performance and reliability, the manufacturer recommends 33"-36" clearance, although the minimum allowable clearance is noted 30".

measurements in inches (mm)

For help and assistance with Bosch accessories please visit: www.bosch-eshop.com/eshop/bosch/us or call 1-800-944-2904 Mon-Fri 5am to 6pm PST Sat 6am to 3pm PST

Notes: All height, width and depth dimensions are shown in inches. BSH reserves the absolute and unrestricted right to change product materials and specifications, at any time, without notice. Consult the product's installation instructions for final dimensional data and other details prior to making cutout. Applicable product warranty can be found in accompanying product literature or you may contact your account manager for further details.

Warranties: Bosch warrants that the Product is free from defects in materials and workmanship for a period of three hundred and sixty-five (365) days from the date of purchase. The foregoing timeline begins to run upon the date of purchase, and shall not be stalled, tolled, extended, or suspended, for any reason whatsoever. This Product is also warranted to be free from cosmetic defects in material and workmanship (such as scratches of stainless steel, paint/porcelain blemishes, chip, dents, or other damage) to the finish of the Product, for a period of thirty (30) days from the date of purchase or closing date for new construction. This cosmetic warranty excludes slight color variations due to inherent differences in painted and porcelain parts, as well as differences caused by kitchen lighting, product location, or other similar factors. This cosmetic warranty specifically excludes any display, floor, "As Is", or "B" stock appliances.

For more information on our entire line of products, go to www.bosch-home.com/us or call 1-800-944-2904

© BSH Home Appliances Corporation. All rights reserved. Bosch is a registered trademark of Robert Bosch GmbH.