

**All-Clad 7Qt. Electric Skillet**  
**All-Clad 7QT Poêle électrique**  
**All-Clad 7Qt Sartén Eléctrica**

Owner's Guide - Model No. 9100021342-02  
Guide d'utilisation - Modèle n<sup>o</sup>. 9100021342-02  
Guía del usuario - Modelo No. 9100021342-02

*Read and save these instructions - Lisez et conservez ces instructions - Lea y conserve estas instrucciones*

[www.all-clad.com](http://www.all-clad.com)

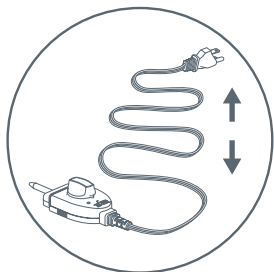


Fig. 1

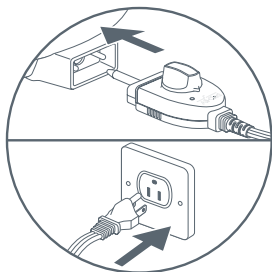


Fig. 2

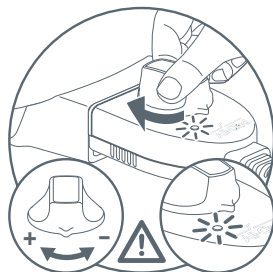


Fig. 3

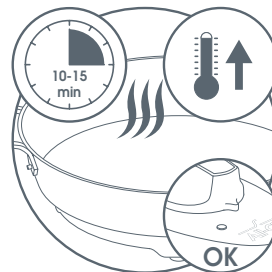


Fig. 4

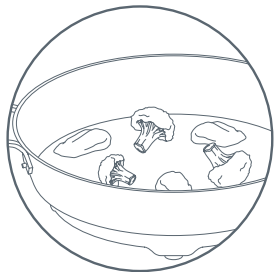


Fig. 5

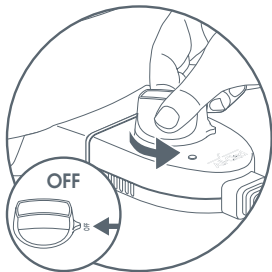


Fig. 6

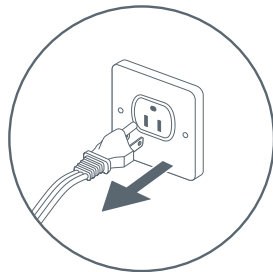


Fig. 7

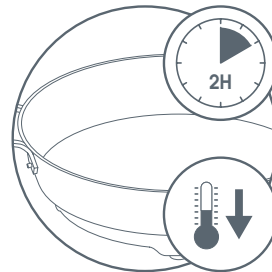


Fig. 8

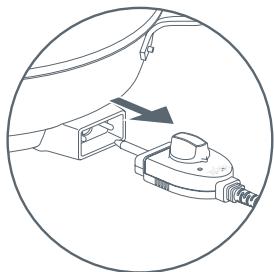


Fig. 9

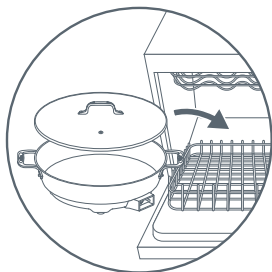


Fig. 10

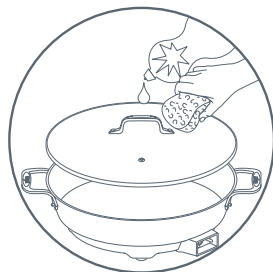


Fig. 11



Fig. 12

# TABLE OF CONTENTS

IMPORTANT SAFEGUARDS.....	p. 4
DESCRIPTION OF PARTS.....	p. 7
BEFORE FIRST USE.....	p. 8
GENERAL USAGE .....	p. 8
CLEANING AND MAINTENANCE .....	p. 10
RECIPES.....	p. 11
MANUFACTURER'S LIMITED WARRANTY .....	p. 16

# IMPORTANT SAFEGUARDS

**When using electrical appliances, basic safety precautions should always be followed including the following:**

1. READ ALL INSTRUCTIONS.
2. Do not touch hot surfaces; use handles or knobs.
3. To protect against risk of electrical shock, do not immerse cord, plugs, or temperature control in water or any other liquid.
4. To avoid possible accidental injury, close supervision is necessary when any appliance is used by or near children.
5. Unplug from outlet when not in use and before cleaning. Allow to cool before putting on or taking off parts.
6. Do not operate any appliance with a damaged cord or plug or after the appliance has malfunctioned or has been dropped or damaged in any way or is not operating properly. Return the appliance to the nearest All-Clad Repair Center for examination, repair or mechanical or electrical adjustment.
7. The use of accessory attachments not recommended by All-Clad may cause injuries.
8. Do not use outdoors.
9. Do not let cord hang over edge of table or counter, or touch hot surfaces.
10. Do not place on or near a hot gas or electric burner, or in a heated oven.
11. Extreme caution must be used when moving an appliance containing hot oil or other hot liquids.
12. Always attach plug to appliance first, then plug cord into the wall outlet. To disconnect, turn any control to “off”, then remove plug from wall outlet.
13. Do not use appliance for other than its intended use.
14. The skillet is not intended for deep frying.
15. When oil is heated to high temperature in any vessel, flammable gases are created. Do not expose a flame to these gases as it could be dangerous. Never put the lid on the skillet when heating oil.

## SAVE THESE INSTRUCTIONS

# FOR HOUSEHOLD USE ONLY

## SHORT CORD INSTRUCTIONS

- A short power-supply cord (or detachable power-supply cord) should be used to reduce the risk resulting from becoming entangled in or tripping over a longer cord.
- Longer detachable power-supply cords or extension cords are available and may be used if care is exercised in their use.
- If a longer detachable power-supply cord or extension cord is used:
  - The marked electrical rating of the cord set or extension cord should be at least as great as the electrical rating of the appliance;
  - The cord should be arranged so that it will not drape over the countertop or tabletop where it can be pulled on by children or tripped over unintentionally;
  - If the appliance is of the grounded type, the cord set or extension cord should be a grounding-type 3-wire cord.

## DISPOSING OF YOUR APPLIANCE



Your appliance contains many materials which can be recycled.



Take it to a local civic collection point.

# CONGRATULATIONS ON YOUR PURCHASE

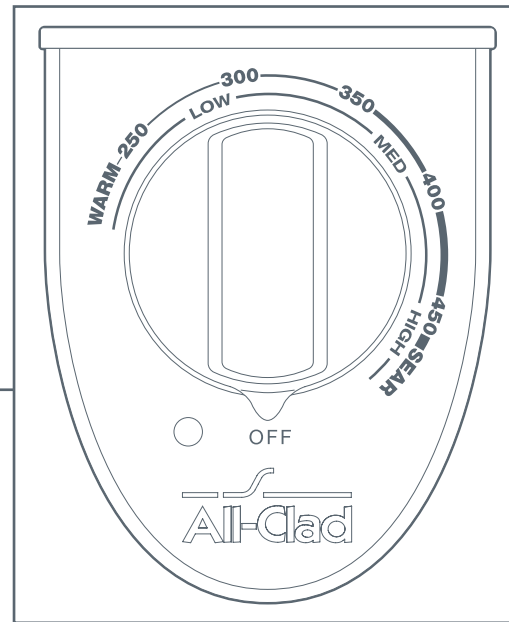
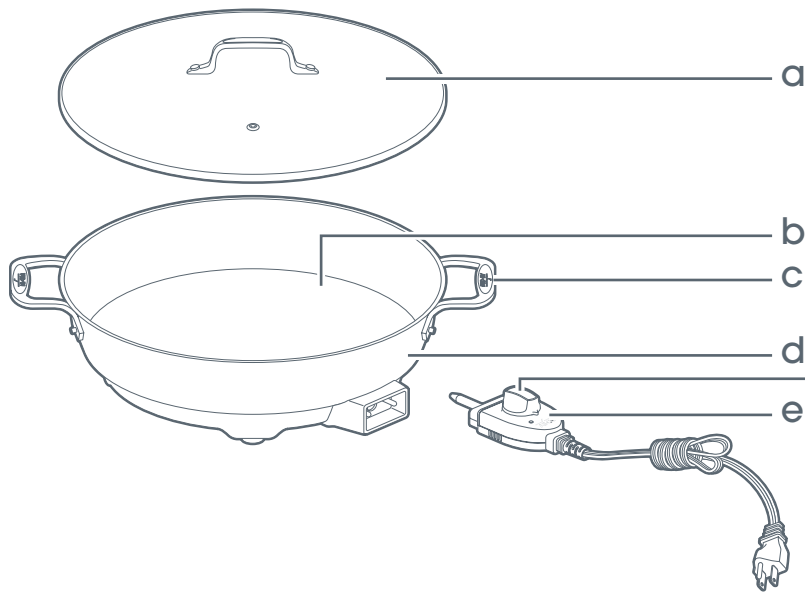
All-Clad Metalcrafters created the original collection of professional cookware made with a patented metal bonding process which eliminates uneven heating, an accomplishment that led to All-Clad becoming the product chosen for the kitchens of more four-star restaurants than any other. Still the only complete line of cookware made by an American company with materials produced in its own mill, All-Clad has revolutionized the art of cooking since its introduction.

With more than ten professional cookware collections featuring a variety of bonded metals and finishes, from high grade aluminum and stainless steel to copper, All-Clad combines professional design with high performance for all tastes and cooking styles.

The All-Clad cooking experience now extends to a focused selection of small electrical appliances, each designed without compromise to make a noticeable difference in both use and performance. Cooking connoisseurs now have a wonderful opportunity to complete their kitchen with electrics by All-Clad, the undisputed original.

**All-Clad Metalcrafters has an ongoing policy of research and development and may modify its products without prior notice.**

# DESCRIPTION OF PARTS



- a. See-through glass lid with steam vent and stainless steel handle
- b. Nonstick coated interior
- c. Stainless steel handles
- d. Highly polished stainless steel exterior
- e. Removable adjustable temperature control probe

## BEFORE FIRST USE

- Carefully unpack the skillet.
- Rinse both the skillet base and glass lid in warm, soapy water. Rinse well and dry thoroughly.

**Note:** The glass lid is immersible and top-shelf dishwasher safe.

Make sure temperature control probe is removed before cleaning.

## GENERAL USAGE

1. Place your Electric Skillet on a clean, dry surface.
2. Make sure the temperature control dial is facing upward and is on the OFF position. Insert the probe into the receptacle located on the side of the unit.
3. Plug cord into an electrical outlet.
4. Turn temperature control dial to desired setting (see recommendation for temperature settings in the chart on page 9). The indicator light will go on.
5. Your Electric Skillet will preheat for approximately 3 to 10 minutes, depending on the desired temperature setting. For faster heat-up, you can place the glass lid on top of the skillet.
6. Once the indicator light goes off, you are ready to cook.
7. Place food in the skillet.

**Note:** After preheating, do not leave the skillet on without any food inside. Over time, this can damage the pan.

**Note:** The indicator light will flicker between on and off while cooking, as the heater cycles through to maintain a consistent temperature.

8. Cook food as directed or until desired results are achieved.
9. After use, turn the temperature control dial to the OFF position and unplug your skillet. Wait for your appliance to completely cool down before cleaning it.



## RECOMMENDED HEAT CONTROL PROBE SETTINGS

The temperature probe provides a dual read-out. Set your desired temperature using the specific numerical dial settings, or the temperature ranges. If you typically use a medium heat on the stove, you should select one of the medium heat settings on the electric skillet

SETTING	USES
WARM	<ul style="list-style-type: none"><li>• Keeping food warm</li><li>• Reheat</li></ul>
250-300	<ul style="list-style-type: none"><li>• Basting</li><li>• Slow cooking</li><li>• Roasting</li><li>• Simmering</li><li>• Braising</li></ul>
300-400	<ul style="list-style-type: none"><li>• Toasting (nuts...)</li><li>• Pan frying</li><li>• Baking</li><li>• Sautéing</li></ul>
400-450	<ul style="list-style-type: none"><li>• Browning</li></ul>
SEAR	<ul style="list-style-type: none"><li>• High SEAR</li><li>• Stir frying</li></ul>

# CLEANING AND MAINTENANCE

**CAUTION:** To prevent personal injury or electric shock, always remove the temperature control probe before immersing your skillet in water. Do not immerse the probe, cord or plug in water or any other liquid.

1. Turn the temperature control dial to the OFF position and unplug unit from the outlet.
2. Allow unit to cool down before cleaning.
3. Once unit has cooled down, remove the temperature control probe from the appliance.
4. The temperature control probe is not immersible. Simply wipe it down with a damp cloth.
5. To clean the skillet, remove the probe and wipe off any excess food and oil from the skillet with a damp cloth.  
Wash skillet and glass lid with warm soapy water using a non-abrasive cloth or simply place it in the dishwasher.
6. Dry thoroughly when cleaned.

**IMPORTANT: TAKING CARE OF YOUR NONSTICK COATING TO PREVENT SCRATCHING ON THE NON-STICK SURFACE OF THIS PRODUCT, DO NOT USE METAL UTENSILS.**

# RECIPES

## Biscuits and Gravy

Serves: 8-10

### Ingredients:

1lb pork sausage, without casing  
½ cup grape seed oil  
2 bay leaves  
¾ cup all purpose flour  
6 cups of milk, warm

Salt - to taste  
Cracked black pepper – to taste  
Cayenne pepper – to taste  
12 biscuits, home made or store bought

- Set temperature to 300°F and let preheat. Once the indicator light goes off, you can start cooking.
- Add the grape seed oil, pork sausage and bay leaves to the pan and let render for 15 minutes with the lid on.
- Once the sausage has rendered, remove the sausage from the pan using a slotted spoon.
- Add the flour and using a wooden spoon stir until a roux has been made. Keep stirring for 5 minutes to toast the roux and cook the flour.
- Add the milk and stir until the mix has combined then add salt, black pepper and cayenne pepper.
- Bring the mix to a simmer and add the sausage back to the pan then allow to simmer for 15 minutes with the lid on.
- Once the sauce has cooked for 15 minutes, check for seasoning and lower the temperature to warm. With the lid on, the sauce will hold until it is time to eat.
- Serve with biscuits.

**NOTE:** This is the breakfast recipe. The gravy can be kept in the skillet on warm so people can scoop gravy from it as they please.

# Pad Thai

Serves 10-12

## Ingredients:

10 shrimp, peeled and deveined

Oil for cooking

3 cups marinated tofu, cut into cubes (marinated in 1 ½ cups soy sauce, ¾ cup mirin, ¾ cup fish sauce)

½ cup scallion bottoms, chopped

¾ cup shallots, chopped

⅓ cup garlic, minced

8 eggs

12 oz rice noodles, cooked - follow cooking instructions on box

2 cups julienned napa cabbage

¾ cup scallion greens, chopped

2 cups chopped peanuts

2 cups bean sprouts

Lime wedges

## Sauce Ingredients:

¼ cup tamarind paste

½ cup fish sauce

¼ cup rice wine vinegar

⅓ cup palm sugar, grated

Juice of one lime

- Prepare the sauce by combining all of the ingredients and stir until the palm sugar is dissolved. Set aside.
- With the temperature set to sear, add some oil to the pan and sear the shrimp just until they are cooked, then remove.
- Sear the tofu until dark brown on all sides and then remove.
- Add the scallion whites, shallot and garlic and cook until the garlic starts to get color. Add the eggs and scramble until they are cooked, and then add the noodles and mix thoroughly.
- Add the cabbage, shrimp, tofu and sauce and mix until ingredients are spread evenly. The noodles should absorb most of the sauce so very little should be in the bottom of the pan.
- Finish with the fresh scallion greens, peanuts, bean sprouts and lime wedges.

**NOTE:** This dish can be served in the skillet or served in a bowl so everybody can garnish their plate as they wish.

# Paella

Serves 8-10

## Ingredients:

1lb boneless, skinless chicken thigh, cut into strips  
10 shrimp, peeled and deveined  
Oil for searing  
10 oz dried chorizo, cut into coins  
1 red bell pepper, medium dice  
1 small onion, small dice  
4 garlic cloves, minced  
3 bay leaves

1 teaspoon smoked paprika  
1 pinch saffron  
3 tomatoes, chopped  
7 cups chicken broth  
2 ½ cups short grain rice  
1 cup frozen peas  
10 mussels

- Have the temperature set to sear. Your skillet will start preheating. Once the indicator light goes off, you can start cooking.
- Start by seasoning the chicken and shrimp with salt. Sear the shrimp with some oil on both sides to get color, then remove.
- Add the chicken and the chorizo and sear until the chicken is golden brown.
- Add the peppers, onion, garlic and a large pinch of salt. Cook and occasionally stir until vegetables are soft, about 10 minutes.
- Add the bay leaves, paprika, saffron and tomatoes and cook for 5 minutes.
- Add the broth to the skillet and then add the rice once it comes to a boil.
- Put the lid on and cook for 15 minutes, most of the broth should be absorbed by the rice.
- Once the rice is cooked add the peas, mussels and shrimp. Cook with the lid on until the mussels open.
- Once the mussels are open and the shrimp is hot, the paella is ready.

**NOTE:** This dish is meant to be served in the skillet. It's great for large groups and entertaining.

# Pot Roast

Serves 5 or double for 10

## Ingredients:

3lbs Flat Iron Steak

Oil for cooking

1 ½ cups carrot, cut into rounds

2 cups onion, large dice

1 ½ cups celery, large dice

2 tomatoes, chopped

1 head garlic, split

½ cup tomato paste

1 cup red wine

2 quarts beef broth

2 cups Yukon gold potatoes

2 cups shitake mushrooms, cleaned

3 bay leaves

1 bunch of thyme

4 sprigs rosemary

- Make a sachet using the bay leaves, thyme and rosemary.
- Season the meat thoroughly with salt and black pepper.
- With the temperature setting on sear, sear the meat with some oil on all sides until caramelized, remove from the pan.
- Add the carrots, onion, celery, and a pinch of salt. Cook until onions are translucent, about 6 minutes.
- Add tomatoes and garlic and continue cooking until the tomato water has evaporated.
- Add tomato paste and continue cooking until a fond has formed on the bottom of the pan.
- Deglaze with the red wine and cook until almost dry.
- Add the broth and a pinch of salt then bring to a boil.
- Return the beef to the skillet along with the potatoes, mushrooms and sachet. Lower temperature setting to 275°F and cook for 2 ½ hours with the lid on.

**NOTE:** This can be served in the skillet or in individual bowls.

# French Toast Casserole

Serves 12-16 portions depending on size

## Ingredients:

8 eggs	½ teaspoon ground nutmeg
½ cup milk	2 tablespoons vanilla extract
½ cup cream	1 tablespoon salt
1 cup honey	18 oz brioche, cubed and dried
1 teaspoon ground cinnamon	

- Preheat skillet to 350°F.
- Combine eggs, milk, cream, honey, spices, vanilla extract and salt in a blender and blend until smooth.
- Pour over bread and let soak for 1 hour.
- Spray the skillet with a nonstick spray and add the bread mixture, making one even layer in the pan. Any extra base can be poured over the top.
- Close the lid and let the casserole bake for 40-45 minutes checking periodically for color doneness.
- After 40 minutes turn the skillet off and let it sit for 15 minutes.
- Best served with maple syrup and powdered sugar.

**NOTE:** This recipe can be served directly from the skillet or you can cut slices using a rubber spatula.

# MANUFACTURER'S LIMITED WARRANTY

 : [www.all-clad.com](http://www.all-clad.com) / [www.all-clad.ca](http://www.all-clad.ca)

*With a strong commitment to the environment, All-Clad electrical products are repairable during and after the warranty period. Before returning any defective products to the point of purchase, please call All-Clad consumer service directly at the phone number below for repair options. Your help to sustain the environment is appreciated!*

## **The Warranty**

This electrical product or product with batteries is guaranteed by All-Clad for a period of **2 years** against any manufacturing defect in materials or workmanship, starting from the initial date of purchase.

The manufacturer's warranty by All-Clad is an extra benefit which does not affect consumer's Statutory Rights.

The All-Clad warranty covers all costs related to restoring the proven defective product so that it conforms to its original specifications, through the repair or replacement of any defective part and the necessary labor. At All-Clad's choice, a replacement product may be provided instead of repairing a defective product. All-Clad's sole obligation and your exclusive resolution under this warranty are limited to such repair or replacement.

## **Conditions & Exclusions**

The All-Clad warranty only applies within the United States and Canada, and is valid only on presentation of a proof of purchase. For warranty service please contact All-Clad Consumer Service using the appropriate toll free number or website listed below. A consumer service representative will personally assist you with the evaluation, repair or replacement of your product at the closest All-Clad service center.

All-Clad shall not be obliged to repair or replace any product which is not accompanied by a valid proof of purchase.

This warranty will not cover any damage which occurs as a result of misuse, negligence, failure to follow All-Clad instructions, use on current or voltage other than as stamped on the product, or a modification or unauthorized repair of the product. It also does not cover normal tear and wear, maintenance or replacement of consumable parts, and the following:

- using the wrong type of water or consumable
- scaling (any de-scaling must be carried out according to the instructions for use);
- ingress of water, dust or insects into the product;
- mechanical damages, overloading



- damages or bad results due to wrong voltage or frequency
- accidents including fire, flood, lightning, etc
- professional or commercial use
- damage to any glass or porcelain ware in the product

This warranty does not apply to any product that has been tampered with, or to damages incurred through improper use and care, faulty packaging by the owner or mishandling by any carrier.

The All-Clad manufacturer’s warranty applies only for products purchased and used in USA & Canada. Where a product is purchased in one country and then used in another one:

- The All-Clad guarantee does not apply in case of non conformity of the purchased product with the local standards, such as voltage, frequency, power plugs, or other local technical specifications.
- The repair process for products purchased outside the country of use may require a longer time if the product is not locally sold by All-Clad.
- In cases where the product is not repairable in the new country, the All-Clad guarantee is limited to a replacement by a similar product or an alternative product at similar cost, where possible.

### Consumer Statutory Rights

This All-Clad manufacturer’s warranty does not affect the statutory rights a consumer may have or those rights that cannot be excluded or limited, nor rights against the retailer from which the consumer purchased the product. This warranty gives a consumer specific legal rights, and the consumer may also have other legal rights which vary from State to State or Country to Country or Province to Province. The consumer may assert any such rights at his sole discretion.

### Additional information

Accessories, Consumables and end-user replaceable parts can be purchased, if locally available, as described in All-Clad internet site.

<b>U.S.A.</b>	GROUPE SEB USA 2121 Eden Road Millville, NJ 08332	<b>CANADA</b>	GROUPE SEB CANADA 345 Passmore Avenue Toronto, ON M1V 3N8
	800-255-2523		1-800-418-3325

# SOMMAIRE

MESURES DE SÉCURITÉ IMPORTANTES.....	p. 19
DESCRIPTION DES PIÈCES.....	p. 23
AVANT LA PREMIÈRE UTILISATION.....	p. 24
USAGE GÉNÉRAL .....	p. 24
NETTOYAGE ET ENTRETIEN .....	p. 26
RECETTES.....	p. 27
GARANTIE LIMITÉE DU FABRICANT .....	p. 32

# MESURES DE SÉCURITÉ IMPORTANTES

**Lors de l'utilisation d'un appareil électrique, il est toujours impératif de respecter les précautions de sécurité élémentaires, notamment les suivantes :**

1. LIRE TOUTES LES INSTRUCTIONS.
2. Ne pas toucher aux surfaces chaudes; utiliser les poignées ou les boutons.
3. Ne pas immerger le cordon électrique, les fiches d'alimentation ou la commande de température dans l'eau ou dans tout autre liquide par mesure de protection contre les risques de décharge électrique.
4. Pour éviter les blessures accidentelles, une supervision étroite est nécessaire lorsque l'appareil est utilisé par des enfants ou près d'eux.
5. Débrancher l'appareil de la prise de courant lorsqu'il n'est pas utilisé et avant de le nettoyer. Laisser l'appareil refroidir avant d'ajouter ou de retirer des pièces.
6. Ne pas faire fonctionner un appareil dont le cordon électrique ou la fiche d'alimentation est endommagé, après une défaillance de l'appareil, s'il est tombé ou a été endommagé de quelque façon, ou encore s'il ne fonctionne pas correctement. Retourner l'appareil au centre d'entretien All-Clad le plus proche pour le faire examiner, pour une réparation ou pour une mise au point mécanique ou électrique.
7. L'utilisation d'accessoires complémentaires non recommandés par All-Clad pourrait causer des blessures.
8. Ne pas utiliser l'appareil à l'extérieur.
9. Ne pas laisser le cordon électrique pendre du bord d'une table ou d'un comptoir et ne pas le laisser toucher à une surface chaude.
10. Ne pas placer l'appareil sur un brûleur au gaz ou électrique chaud ou à proximité d'un brûleur, ou encore dans un four chaud.
11. Déplacer un appareil contenant de l'huile chaude ou d'autres liquides chauds doit être fait avec extrême précaution.

12. Toujours raccorder la fiche d'alimentation à l'appareil en premier, puis brancher le cordon électrique sur la prise de courant. Pour débrancher l'appareil, mettre toute commande en position d'arrêt (« off »), puis débrancher la fiche d'alimentation de la prise murale.
13. Ne pas utiliser l'appareil autrement que selon l'utilisation prévue.
14. La poêle n'est pas destinée à la friture des aliments.
15. Lorsqu'une huile est chauffée à haute température, elle laisse échapper des gaz inflammables, peu importe le contenant dans lequel elle se trouve. Ne pas exposer une flamme à ces gaz, car cela pourrait être dangereux. Ne jamais couvrir la poêle à frire lorsqu'elle contient de l'huile en train de chauffer.

# CONSERVEZ CES INSTRUCTIONS POUR USAGE DOMESTIQUE SEULEMENT.

## INSTRUCTIONS CONCERNANT LE CORDON ÉLECTRIQUE COURT

- Un cordon d'alimentation électrique court (ou un cordon d'alimentation amovible) devrait être utilisé afin de réduire les risques associés à l'enchevêtrement ou au trébuchement avec un cordon plus long.
- Il est possible d'utiliser des rallonges électriques ou des cordons d'alimentation électrique amovibles plus longs offerts sur le marché à condition de faire preuve de prudence.
- En cas d'utilisation d'un cordon d'alimentation électrique amovible plus long ou d'une rallonge :
  - les caractéristiques électriques nominales du cordon électrique ou de la rallonge doivent être équivalentes ou supérieures à celles de l'appareil;

- le cordon électrique doit être de manière à ne pas pendre d'un comptoir ou d'une table, car un enfant pourrait le tirer ou y trébucher involontairement;
- si l'appareil est muni d'une mise à la terre, le cordon électrique ou la rallonge doit être de type 3 avec mise à la terre.

## MISE AU REBUT DE L'APPAREIL



L'appareil contient de nombreux matériaux qui peuvent être recyclés.



Un point de cueillette municipal local.

# FÉLICITATION POUR VOTRE ACHAT

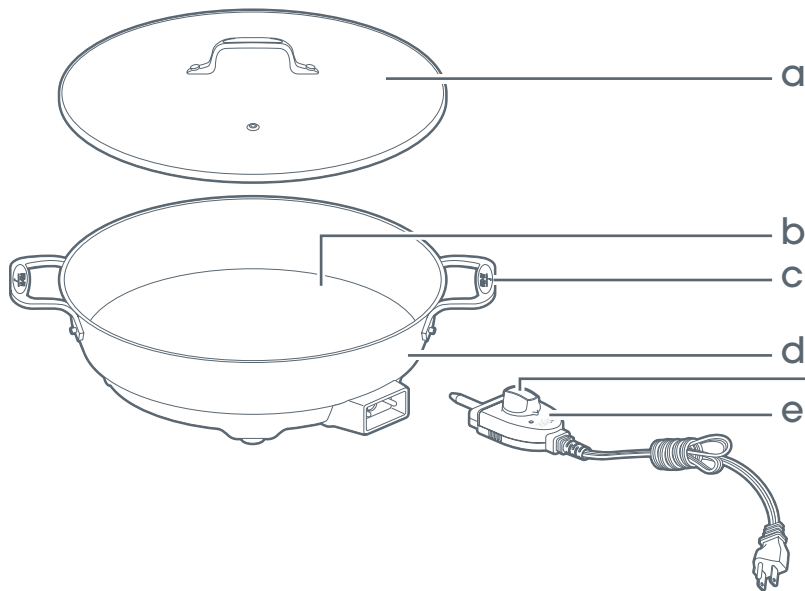
All-Clad Metalcrafters a créé une collection originale d'ustensiles de cuisine professionnels, réalisée grâce à un processus de fabrication breveté de colaminage qui assure une cuisson parfaitement homogène. Ce succès a mené All-Clad à devenir la marque de produits choisie par le plus grand nombre de restaurants quatre étoiles. Depuis sa création, All-Clad a révolutionné l'art de la cuisson ; elle demeure toujours la seule compagnie américaine à proposer une gamme complète d'ustensiles de cuisine produits dans ses propres ateliers.

Avec plus de dix collections d'ustensiles professionnels proposant toute une gamme de finitions et de colaminages, allant de l'aluminium de qualité supérieure et l'acier inoxydable au cuivre, All-Clad allie le design professionnel au rendement élevé pour tous les goûts et tous les styles de cuisson.

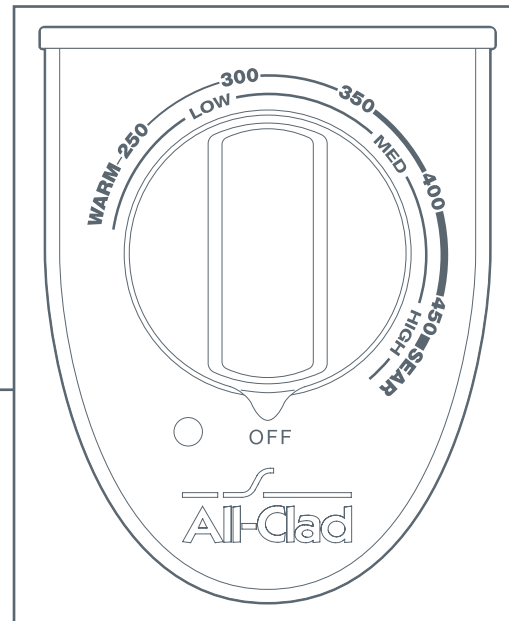
Dans le dernier chapitre passionnant de son histoire, All-Clad présente sa sélection ciblée de petits appareils électroménagers, chacun conçu sans compromis, donnant lieu à une différence perceptible sur le plan de l'utilisation et du rendement. Les cuisiniers avisés ont maintenant la merveilleuse possibilité de compléter leur cuisine avec les produits électriques par All-Clad, l'original incontesté.

**All-Clad Metalcrafters mène une politique continue de recherche et de développement et peut modifier ses produits sans préavis.**

# DESCRIPTION DES PIÈCES



- a. Couvercle en verre avec évent à vapeur et poignée
- b. Surface de cuisson à revêtement antiadhésif
- c. Poignées en acier inoxydable
- d. Boîtier en acier inoxydable poli
- e. Sonde thermique réglable



# AVANT LA PREMIÈRE UTILISATION

- Déballez soigneusement la poêle.
- Rincer la base de la poêle et son couvercle en verre à l'eau chaude savonneuse. Bien rincer et assécher complètement.

**Remarque :** Le couvercle en verre est submersible et lavable au lave-vaisselle dans le panier supérieur. S'assurer de retirer la sonde thermique avant de le nettoyer.

## USAGE GÉNÉRAL

1. Poser la poêle électrique sur une surface propre et sèche.
2. Veiller à ce que le cadran de réglage de la température soit positionné vers le haut et en position d'arrêt (« OFF »). Insérer la sonde thermique dans le réceptacle situé sur le côté de l'appareil.
3. Brancher le cordon électrique sur la prise de courant.
4. Tourner le cadran de réglage de la température jusqu'au réglage souhaité (consulter les recommandations en matière de réglages de température dans le tableau de la page 9). Le voyant lumineux s'allumera.
5. La poêle électrique préchauffera de 3 à 10 minutes environ, selon le réglage de température choisi. Mettre le couvercle en verre sur la base pour accélérer le chauffage.
6. Une fois le voyant lumineux éteint, la poêle est prête à cuire les aliments.
7. Déposer les aliments dans la poêle.

**Remarque :** Après le préchauffage, ne pas laisser la poêle en marche sans aliments, car cela pourrait l'endommager avec le temps.

**Remarque :** Comme l'élément chauffant traverse différents cycles pour maintenir une température constante, le voyant lumineux clignotera durant la cuisson.

8. Cuire les aliments selon les indications ou jusqu'à l'obtention des résultats souhaités.
9. Après l'utilisation, tourner le cadran de réglage de la température à la position d'arrêt (« OFF ») et débrancher la poêle.



## RÉGLAGES RECOMMANDÉS DE LA SONDE THERMIQUE

La sonde thermique possède deux afficheurs. Régler la température souhaitée de la poêle à l'aide des réglages précis du cadran numérique ou à l'aide des plages de températures. Pour une cuisson typique à température moyenne avec la cuisinière, choisir l'un des réglages de chaleur moyenne sur la poêle électrique.

RÉGLAGE	UTILISATIONS
CHAUFFER	<ul style="list-style-type: none"><li>• Conserver la chaleur des aliments</li><li>• Réchauffer</li></ul>
250 à 300	<ul style="list-style-type: none"><li>• Cuire au jus</li><li>• Mijoter</li><li>• Griller</li><li>• Cuire doucement</li><li>• Braiser</li></ul>
300 à 400	<ul style="list-style-type: none"><li>• Rôtir (noix...)</li><li>• Frire à la poêle</li><li>• Cuire au four</li><li>• Sauter</li></ul>
400 à 450	<ul style="list-style-type: none"><li>• Dorer</li></ul>
SAISIR	<ul style="list-style-type: none"><li>• SAISIR à haute température</li><li>• Sauter à feu vif</li></ul>

# NETTOYAGE ET ENTRETIEN

**AVERTISSEMENT :** Toujours enlever la sonde thermique avant de submerger la poêle dans l'eau pour éviter les blessures et les décharges électriques. Ne pas submerger la sonde thermique, le cordon électrique ou la fiche dans l'eau ou dans un autre liquide.

1. Tourner le cadran de réglage de la température à la position d'arrêt (« OFF ») et débrancher l'appareil de la prise de courant.
2. Laisser l'appareil refroidir avant de le nettoyer.
3. Une fois l'appareil refroidi, retirer la sonde thermique.
4. La sonde thermique n'est pas submersible. Il suffit de l'essuyer avec un chiffon humide.
5. Pour nettoyer la poêle, retirer la sonde et enlever le surplus de nourriture et d'huile de la poêle en l'essuyant avec un chiffon humide. Laver la poêle et le couvercle en verre à l'eau chaude savonneuse avec un chiffon non abrasif ou les mettre dans le lave-vaisselle. Utiliser un chiffon humide pour nettoyer la sonde.
6. Bien assécher les pièces une fois propres.

**IMPORTANT : ENTRETIEN DE VOTRE REVÊTEMENT ANTIADHÉSIF  
NE PAS UTILISER D'USTENSILES MÉTALLIQUES AFIN D'ÉVITER D'ENDOMMAGER LE  
REVÊTEMENT ANTIADHÉSIF DE CET APPAREIL.**

## Petits pains à la levure en sauce

Nombre de portions : 8 à 10

### Ingrédients :

454 g (1 lb) de saucisses de porc sans boyaux

158 ml (⅔ tasse) d'huile de pépins de raisin

2 feuilles de laurier

¾ tasse de farine tout usage

1,4 L (6 tasses) de lait chaud

Sel, au goût

Poivre noir moulu, au goût

Piment de Cayenne, au goût

12 petits pains à la levure maison ou achetés en épicerie

- Régler la température de l'appareil à 190 °C (300 °F) et le laisser préchauffer. Commencer la cuisson une fois le voyant lumineux éteint.
- Ajouter l'huile de pépins de raisin, la saucisse de porc et les feuilles de laurier dans la poêle et cuire 15 minutes à couvert pour faire fondre le gras de la saucisse.
- Une fois le gras fondu, retirer la saucisse de la poêle à l'aide d'une cuillère à égoutter.
- Ajouter la farine et brasser à l'aide d'une cuillère en bois jusqu'à la formation d'un roux. Continuer à brasser 5 minutes pour faire griller le roux et cuire la farine.
- Ajouter le lait et brasser jusqu'à ce que le mélange soit uniforme, puis ajouter le sel, le poivre et le piment de Cayenne.
- Attendre que des bouillons se forment dans le mélange, puis remettre la saucisse dans la poêle et laisser le tout mijoter 15 minutes à couvert.
- Une fois que la sauce a cuit 15 minutes, vérifier l'assaisonnement et réduire la température au réglage « réchauffer ». À couvert, la sauce conservera sa chaleur jusqu'au moment de servir.
- Servir avec des petits pains à la levure.

**REMARQUE :** Cette recette est conçue pour le déjeuner. La sauce peut être laissée dans la poêle au réglage « réchauffer » pour permettre aux gens de se servir selon leur goût.

# Nouilles sautées à la thaïlandaise (Pad Thai)

10 à 12 portions

## Ingrédients :

10 crevettes épluchées et déveinées

Huile pour la cuisson

3 tasses de tofu mariné coupé en cubes (marinade : 355 ml [1½ tasse] de sauce soya, 177 ml [¾ tasse] de mirin, 177 ml [¾ tasse] de sauce de poisson)

½ tasse d'oignons verts (partie blanche) hachés

¾ tasse d'échalotes hachées

½ tasse d'ail émincé

8 œufs

340 g (12 oz) de nouilles de riz cuites — suivre les instructions de cuisson sur l'emballage

2 tasses de chou nappa en juliennes

¾ tasse d'oignons verts (partie verte) hachés

2 tasses d'arachides hachées

2 tasses de germes de haricot

Quartiers de lime

## Ingrédients pour la sauce :

¼ tasse de pâte de tamarin

79 ml (⅓ tasse) de sauce de poisson

59 ml (¼ tasse) de vinaigre de riz

½ tasse de sucre de palme râpé

Jus d'une lime

- Préparer la sauce en combinant tous les ingrédients et brasser jusqu'à ce que le sucre de palme soit dissous. Réserver.
- En réglant la température à « saisir », ajouter de l'huile dans la poêle et saisir les crevettes jusqu'à ce qu'elles soient cuites, puis les retirer.
- Saisir le tofu jusqu'à ce qu'il devienne brun foncé sur tous les côtés, puis le retirer.
- Ajouter les blancs d'oignons verts, l'échalote et l'ail et cuire jusqu'à ce que l'ail soit coloré. Ajouter les œufs et les brouiller jusqu'à ce qu'ils soient cuits, puis ajouter les nouilles et mélanger à fond.
- Ajouter le chou, les crevettes, le tofu et la sauce et mélanger jusqu'à ce que les ingrédients soient répartis uniformément. Les nouilles devraient absorber presque toute la sauce; il ne devrait donc en rester que très peu dans la poêle.
- Finir avec la partie verte des oignons verts frais, les arachides, les germes de haricot et les quartiers de lime.

**REMARQUE :** Ce mets peut être servi dans la poêle ou dans des bols pour permettre à tous de garnir leur plat comme ils le souhaitent.

# Paella

8 à 10 portions

## Ingrédients :

454 g (1 lb) de cuisses de poulet sans os et sans peau, coupées en lanières

10 crevettes épluchées et déveinées

Huile pour saisir

284 g (10 oz) de chorizo séché coupé en rondelles

1 poivron rouge coupé en dés moyens

1 petit oignon coupé en petits dés

4 gousses d'ail émincées

3 feuilles de laurier

1 cuillère à thé de paprika fumé

1 pincée de safran

3 tomates hachées

1,7 L (7 tasses) de bouillon de poulet

2½ tasses de riz à grains courts

1 tasse de pois congelés

10 moules

- Régler la température de la poêle à « saisir ». La poêle entamera son préchauffage. Commencer la cuisson une fois le voyant lumineux éteint.
- Commencer par assaisonner le poulet et les crevettes avec du sel. Saisir les crevettes dans l'huile sur les deux côtés pour les colorer, puis les retirer.
- Ajouter le poulet et le chorizo et les saisir jusqu'à ce que le poulet soit brun doré.
- Ajouter les poivrons, l'oignon, l'ail et une grosse pincée de sel. Cuire environ 10 minutes, ou jusqu'à ce que les légumes soient tendres, en remuant occasionnellement.
- Ajouter les feuilles de laurier, le paprika, le safran et les tomates et cuire 5 minutes.
- Verser le bouillon dans la poêle et ajouter le riz une fois le bouillon porté à ébullition.
- Couvrir la poêle et cuire 15 minutes; le riz devrait avoir absorbé presque tout le bouillon.
- Une fois le riz cuit, ajouter les pois, les moules et les crevettes. Cuire à couvert jusqu'à ce que les moules soient ouvertes.
- Une fois les moules ouvertes et les crevettes réchauffées, la paella est prête.

**REMARQUE :** Ce plat est destiné à être servi dans la poêle. Il est parfait pour les groupes nombreux et pour recevoir.

# Braisé

Recette pour 5 portions (la doubler pour obtenir 10 portions)

## Ingrédients :

1,4 kg (3 lb) de haut de palette de bœuf

Huile pour la cuisson

1½ tasse de carottes coupées en rondelles

2 tasses d'oignons coupés en gros dés

1½ tasse de céleris coupés en gros dés

2 tomates hachées

1 tête d'ail séparée en gousses

½ tasse de pâte de tomate

237 ml (1 tasse) de vin rouge

1,9 L (2 pintes) de bouillon de bœuf

2 tasses de pommes de terre Yukon Gold

2 tasses de champignons shiitakés lavés

3 feuilles de laurier

1 botte de thym

4 branches de romarin

- Faire un bouquet garni avec les feuilles de laurier, le thym et le romarin.
- Assaisonner complètement la viande avec du sel et du poivre.
- En réglant la température à « saisir », saisir tous les côtés de la viande dans l'huile jusqu'à ce qu'ils soient caramélisés, puis retirer la viande de la poêle.
- Ajouter les carottes, les oignons, les céleris et une pincée de sel. Cuire jusqu'à ce que les oignons soient translucides, soit environ 6 minutes.
- Ajouter les tomates et l'ail et continuer à cuire jusqu'à ce que le liquide des tomates soit évaporé.
- Ajouter la pâte de tomate et continuer à cuire jusqu'à ce que des sucs caramélisés se forment au fond de la poêle.
- Déglacer les sucs au vin rouge et cuire jusqu'à ce qu'il n'y ait presque plus de liquide.
- Ajouter le bouillon et une pincée de sel, puis porter à ébullition.
- Remettre le bœuf dans la poêle avec les pommes de terre, les champignons et le bouquet garni. Abaisser la température à 135 °C (275 °F) et cuire 2 h 30 à couvert.

**REMARQUE :** Ce plat peut être servi dans la poêle ou dans des bols individuels.

# Casserole de pain doré

12 à 16 portions selon la taille

## Ingédients :

8 œufs

118 ml (½ tasse) de lait

118 ml (½ tasse) de crème

1 tasse de miel

1 cuillère à thé de cannelle moulue

½ cuillère à thé de muscade moulue

2 cuillères à table d'extrait de vanille

1 cuillère à table de sel

510 g (18 oz) de pain brioché séché coupé en cubes

- Préchauffer la poêle à 177 °C (350 °F).
- Combiner les œufs, le lait, la crème, le miel, les épices, l'extrait de vanille et le sel dans un mélangeur et mélanger jusqu'à l'obtention d'une texture lisse.
- Verser le mélange sur le pain brioché et laisser imbiber 1 heure.
- Vaporiser la poêle d'enduit à cuisson antiadhésif et ajouter le mélange de pain de manière à créer une couche uniforme dans la poêle. Verser tout liquide restant sur le mélange à base de pain.
- Couvrir et laisser la casserole cuire de 40 à 45 minutes en vérifiant périodiquement la couleur pour voir si elle est prête.
- Après 40 minutes, éteindre la poêle et laisser la casserole reposer 15 minutes.
- Pour de meilleurs résultats, servir avec du sirop d'érable et du sucre en poudre.

**REMARQUE :** Cette recette peut être servie directement dans la poêle ou en coupant des tranches de pain doré avec une spatule de caoutchouc.

# GARANTIE LIMITÉE DU FABRICANT

 : [www.all-clad.com](http://www.all-clad.com) / [www.all-clad.ca](http://www.all-clad.ca)

*Dans le cadre de notre fort engagement envers l'environnement, les appareils électroménagers All-Clad sont réparables durant la période de garantie et au delà. Avant de retourner un produit défectueux à l'endroit où vous l'avez acheté, veuillez prendre contact directement avec le Service Consommateur de All-Clad au numéro de téléphone mentionné ci-dessous, pour connaître les options de réparation.*

*Votre aide pour soutenir l'environnement est appréciée!*

## La garantie

Cet appareil électroménager ou fonctionnant avec des piles est garanti par All-Clad pendant **2 ans** contre tout défaut de fabrication ou de main-d'œuvre et ce, à partir de la date initiale de l'achat.

Cette garantie du fabricant All-Clad vient en complément des droits des consommateurs.

La garantie du fabricant couvre tous les coûts de remise en état d'un produit reconnu défectueux pour qu'il se conforme à ses spécifications d'origine, par la réparation ou le remplacement de pièces défectueuses et la main-d'œuvre nécessaire. Au choix de All-Clad, un produit de remplacement peut être proposé à la place de la réparation du produit défectueux. Les obligations de All-Clad dans le cadre de cette garantie, se limitent exclusivement à cette réparation ou ce remplacement.

## Conditions et exclusions

La garantie All-Clad ne s'applique qu'aux États-Unis et au Canada, et n'est valable que sur présentation d'une preuve d'achat. Pour toute assistance sous garantie, merci de contacter le Service Consommateur d'All-Clad avec le numéro gratuit ci-dessous ou appelé sur le site internet. Un responsable consommateur vous assistera personnellement en diagnostiquant la situation, et en faisant réparer ou échanger le produit dans le centre de service All-Clad le plus proche.

All-Clad ne sera pas obligé de réparer ou d'échanger un produit qui ne serait pas accompagné d'une preuve d'achat valide.

Cette garantie ne couvre pas les dommages encourus à la suite d'une mauvaise utilisation, d'une négligence, du non-respect des instructions d'utilisation et d'entretien, de l'utilisation avec une alimentation électrique non conforme à celle spécifiée sur la plaque signalétique ou d'une modification ou d'une réparation non autorisée du produit. Elle n'inclut également pas l'usure normale du produit, ni l'entretien ou le remplacement de pièces consommables, ni les cas suivants :

- utilisation d'une eau ou d'un consommable non adaptés
- entartrage (tout détartrage doit être réalisé conformément aux instructions précisées dans le mode d'emploi)
- infiltration d'eau, de poussière, d'insectes, dans le produit
- dommages mécaniques ou surcharge



- dommages ou mauvais résultats attribuables à un mauvais voltage ou une mauvaise fréquence
- tout accident lié à un feu, une inondation, la foudre, etc.
- usage professionnel ou commercial
- verre ou céramique endommagé

ette garantie ne s'applique pas aux produits trafiqués ou aux dommages encourus à la suite d'une mauvaise utilisation ou d'un mauvais entretien, aux problèmes au niveau de l'emballage effectué par son propriétaire ou d'une manutention inadéquate de la part du transporteur.

La garantie du fabricant All-Clad ne s'applique qu'aux produits achetés et utilisés aux États-Unis ou au Canada. En cas d'utilisation dans un autre pays que celui de l'achat :

- La garantie All-Clad ne s'applique pas en cas de non-conformité du produit aux normes locales, tels que le voltage, la fréquence électrique, le type de prise électrique ou toute autre spécification locale.
- Le processus de réparation du produit acheté à l'extérieur du pays d'utilisation peut prendre plus de temps si le produit n'est pas vendu par All-Clad dans le pays d'emploi.
- Au cas où le produit ne serait pas réparable dans le pays d'emploi, la garantie All-Clad sera limitée au remplacement par un produit équivalent ou un produit de remplacement de même valeur si c'est possible.

### Droits légaux des consommateurs

Cette garantie All-Clad n'affecte ni les droits légaux dont bénéficie tout consommateur, qui ne sauraient être exclus ou limités, ni les droits légaux envers le commerçant où le consommateur a acheté le produit. Cette garantie donne au consommateur des droits spécifiques et le consommateur peut par ailleurs bénéficier des droits particuliers en fonction du pays, de l'État ou de la province. Le consommateur peut faire usage de ces droits à sa discrétion exclusive.

### Informations supplémentaires

Les accessoires, consommables et autres pièces remplaçables directement par l'utilisateur, peuvent être achetées, si elles sont disponibles localement, tel que décrit sur le site internet de All-Clad.

<b>U.S.A.</b>	<b>GROUPE SEB USA</b> 2121 Eden Road Millville, NJ 08332	<b>CANADA</b>	<b>GROUPE SEB CANADA</b> 345 Passmore Avenue Toronto, ON M1V 3N8
	800-255-2523		1-800-418-3325

# ÍNDICE

PRECAUCIONES IMPORTANTES .....	p. 35
DESCRIPCIÓN DE LAS PIEZAS .....	p. 38
ANTES DEL PRIMER USO .....	p. 39
USO GENERAL .....	p. 39
LIMPIEZA Y MANTENIMIENTO .....	p. 41
RECETAS.....	p. 42
GARANTÍA LIMITADA DEL FABRICANTE.....	p. 47

# PRECAUCIONES IMPORTANTES

**Cuando use artefactos eléctricos, siempre deben seguirse las siguientes medidas de seguridad:**

1. LEA TODAS LAS INSTRUCCIONES.
2. No toque las superficies calientes; use las asas o perillas.
3. Para protegerse contra una descarga eléctrica, no sumerja el cable, enchufe o el control de temperatura en agua u otro líquido.
4. Cuando un niño utilice cualquier artefacto eléctrico es necesario contar con la supervisión cercana de un adulto, para evitar lesiones accidentales. Igualmente, si un aparato eléctrico es usado en presencia de un niño, se deben extremar cuidados para evitar accidentes.
5. Desenchufe del tomacorrientes cuando no esté en uso y antes de la limpieza. Deje que se enfríe antes de colocar o retirar piezas.
6. No opere ningún artefacto con un cable o clavija dañado, o después que el artefacto se haya descompuesto, o se haya dejado caer o se haya dañado de alguna manera, o no esté funcionando correctamente. Regrese el artefacto al Centro de reparaciones All-Clad más cercano para que efectúen revisiones, reparaciones o ajustes mecánicos o eléctricos.
7. El uso de aditamentos complementarios que no sean recomendados por All-Clad puede causar lesiones.
8. No usar en exteriores.
9. No deje que el cable cuelgue del borde de la mesa o la barra, ni que haga contacto con superficies calientes.
10. No coloque el equipo sobre un quemador de gas o eléctrico caliente o cerca de éste, ni dentro de un horno caliente.
11. Se debe usar extrema cautela cuando se mueva un artefacto que contenga aceite u otros líquidos calientes.
12. Siempre fije el enchufe al artefacto primero, luego inserte la clavija al tomacorrientes de la pared. Para desconectar el equipo, coloque todos los controles en posición de apagado ("off") y luego desconecte la clavija del enchufe.
13. No utilice el equipo para fines no previstos.
14. La sartén no debe usarse para fritura en abundante aceite.
15. Cuando el aceite se calienta a altas temperaturas en algún recipiente, se desprenden gases inflamables. No exponga una llama a estos gases, ya que podría ser peligroso. Nunca cubra la sartén cuando caliente aceite.

# CONSERVE ESTAS INSTRUCCIONES

## SOLO PARA USO CASERO

### INSTRUCCIONES PARA EL USO DE CABLES CORTOS

- Se debe usar un cable corto de suministro de alimentación (o cable de suministro de alimentación desmontable) para reducir el riesgo de enredos o tropiezos.
- Existen cables de suministro de alimentación desmontables más largos o cables de extensión disponibles y pueden usarse si se tiene cuidado con su uso.
- Si se usa un cable de suministro de alimentación desmontable más largo o un cable de extensión:
  - La clasificación eléctrica marcada del mazo de cables o del cable de extensión debe ser por lo menos tan alta como la clasificación eléctrica del artefacto;
  - El cable debe acomodarse de tal forma que no cuelgue sobre el mostrador o barra de donde pueda ser jalado por los niños o ser causa de tropiezos accidentales; y
  - Si el artefacto es del tipo que debe ser puesto a tierra, el mazo de cables o el cable de extensión debe ser un cable de 3 alambres del tipo que debe ser puesto a tierra.

### ELIMINACIÓN DE SU ARTEFACTO



Su artefacto contiene muchos materiales que pueden reciclarse.



Llévelo a un punto de recolección cívico local.

# FELICITACIONES POR SU COMPRA

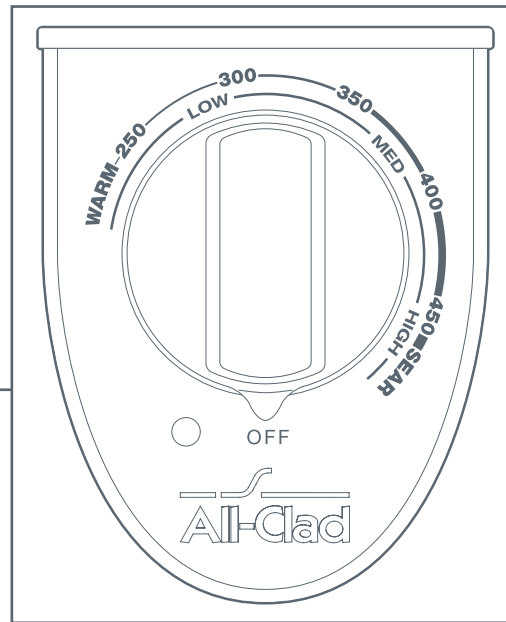
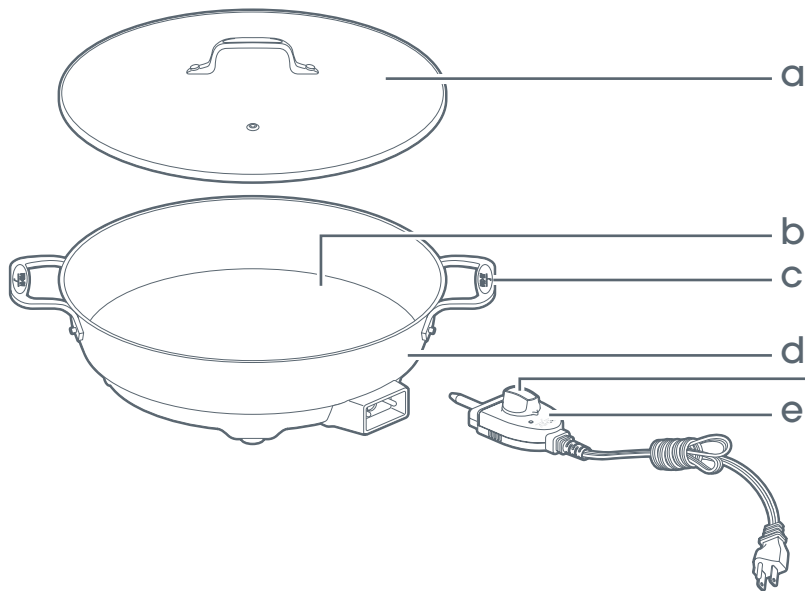
All-Clad Metalcrafters ha creado la colección original de utensilios de cocina fabricados mediante un proceso de adhesión metálica patentado que elimina el calentamiento desigual, un logro que llevó a All-Clad a convertirse en el producto elegido por las cocinas de restaurantes de más de cuatro estrellas que cualquier otro. Siendo la única línea completa de utensilios de cocina fabricada por una compañía estadounidense con materiales producidos en su propia fábrica, All-Clad ha revolucionado el arte de la cocción desde su lanzamiento.

Con más de diez colecciones de utensilios de cocina profesionales incluyendo una variedad de acabados y metales adhesivos, desde aluminio de alto grado y acero inoxidable, hasta cobre, All-Clad combina el diseño profesional con el alto rendimiento para todos los gustos y estilos de cocina.

La experiencia de cocción All-Clad ahora se expande a una selección enfocada de pequeños artefactos eléctricos, cada uno diseñado con el compromiso de marcar una diferencia notoria, tanto en uso como en rendimiento. Los conocedores de cocina ahora tienen la maravillosa oportunidad de completar su cocina con artefactos eléctricos All-Clad, el original indiscutible.

**All-Clad Metalcrafters tiene una política continua de investigación y desarrollo y puede modificar sus productos sin previo aviso.**

# DESCRIPCIÓN DE LAS PIEZAS



- a. Cubierta de vidrio con abertura para el vapor y asa
- b. Superficie de cocción con revestimiento antiadherente
- c. Asas de acero inoxidable
- d. Exterior pulido de acero inoxidable
- e. Sonda de control de la temperatura ajustable

# ANTES DEL PRIMER USO

- Desempaque cuidadosamente la sartén.
- Enjuague la base de la sartén y la cubierta de vidrio en agua tibia jabonosa. Enjuague bien y seque exhaustivamente.

**Nota:** La cubierta de vidrio se puede sumergir y se puede lavar con seguridad en la rejilla superior del lavaplatos. Asegúrese de retirar la sonda de control de la temperatura antes de la limpieza.

# USO GENERAL

1. Coloque su sartén eléctrica sobre una superficie limpia y seca.
2. Asegúrese que el panel de control de la temperatura esté mirando hacia arriba y que esté en la posición de apagado (OFF). Inserte la sonda de control de la temperatura en el receptáculo ubicado en la parte lateral de la unidad.
3. Enchufe el cable en un tomacorrientes eléctrico.
4. Gire el panel de control de la temperatura a la configuración deseada (ver recomendación para configuraciones de temperatura en la tabla de la página 9). La luz indicadora se encenderá.
5. Su sartén eléctrica se precalentará aproximadamente por 3 a 10 minutos, dependiendo de la configuración de temperatura deseada. Para un calentamiento más rápido, coloque la cubierta de vidrio encima de la base.
6. Una vez que se apaga la luz indicadora ya puede cocinar.
7. Coloque los alimentos en la sartén.

**Nota:** luego de precalentar, no deje la sartén encendida sin nada de alimentos dentro; con el tiempo, esto puede dañarla.

**Nota:** la luz indicadora brillará entre encendido y apagado mientras se cocina, a medida que el elemento calefactor pasa de un ciclo a otro para mantener una temperatura consistente.

8. Cocine los alimentos según las indicaciones o hasta lograr los resultados deseados.
9. Luego del uso, gire el dial de control de la temperatura a la posición de OFF y desenchufe su sartén.

## CONFIGURACIONES RECOMENDADAS PARA LA SONDA DE CONTROL DEL CALOR

La sonda de temperatura ofrece una doble lectura. Configure la temperatura deseada para su sartén usando las configuraciones específicas del panel numérico, o los rangos de temperatura. Si normalmente usa un calor medio en la cocina, debe seleccionar una de las configuraciones de calor medio en la sartén eléctrica.

CONFIGURACIÓN	USOS
MANTENER TIBIO	<ul style="list-style-type: none"><li>• Mantener los alimentos tibios</li><li>• Recalentamiento</li></ul>
250-300	<ul style="list-style-type: none"><li>• Bañar</li><li>• Cocinar lento</li><li>• Asar</li><li>• Cocinar a fuego lento</li><li>• Brasear</li></ul>
300-400	<ul style="list-style-type: none"><li>• Tostar (nueces...)</li><li>• Freír en sartén</li><li>• Hornear</li><li>• Saltear</li></ul>
400-450	<ul style="list-style-type: none"><li>• Dorar</li></ul>
SELLADO	<ul style="list-style-type: none"><li>• SELLAR alto</li><li>• Saltear mezclando</li></ul>



# LIMPIEZA Y MANTENIMIENTO

**PRECAUCIÓN:** Para evitar lesiones personales o descargas eléctricas, siempre retire la sonda de control de la temperatura antes de sumergir su sartén en agua. No sumerja la sonda de control de la temperatura, cable o enchufe en agua u otro líquido.

1. Gire panel de control de la temperatura a la posición de OFF y desenchufe la unidad del tomacorrientes.
2. Deje que la unidad se enfríe antes de limpiarla.
3. Una vez que se haya enfriado la unidad, retire la sonda de control de la temperatura.
4. La sonda de control de la temperatura no se puede sumergir. Simplemente frótela con un paño húmedo.
5. Para limpiar la sartén, retire la sonda y limpie el exceso de alimentos y aceite de la sartén con un paño húmedo. Lave la sartén y la cubierta de vidrio con agua jabonosa tibia usando un paño no abrasivo o en el lavaplatos. Use un paño húmedo para limpiar la sonda.
6. Seque exhaustivamente cuando esté limpia.

**IMPORTANTE: CUIDADO DE SU REVESTIMIENTO ANTIADHERENTE  
NUNCA USE UTENSILIOS DE METAL PARA EVITAR DAÑAR EL REVESTIMIENTO  
ANTIADHERENTE DE ESTE APARATO.**

# RECETAS

## Galletas y salsa de carne

Porciones: 8-10

### Ingredientes:

1lb salchicha de cerdo, sin piel  
2/3 taza de aceite de semilla de uva  
2 hojas de laurel  
3/4 taza de harina sin preparar  
6 tazas de leche, tibia

Sal - al gusto  
Pimienta negra molida – al gusto  
Pimienta cayena – al gusto  
12 galletas, hechas en casa o compradas en la tienda

- Configure la temperatura a 300°F y deje precalentar. Una vez que la luz indicadora se apaga, puede empezar a cocinar.
- Añada el aceite de semilla de uva, la salchicha de cerdo y las hojas de laurel en la sartén y deje que suelte grasa por 15 minutos con la tapa cerrada.
- Una vez que se ha desprendido la grasa de la salchicha, retire la salchicha de la sartén usando una cuchara ranurada.
- Añada la harina y usando una cuchara de madera, remueva hasta que se forme una base de salsa. Siga removiendo por 5 minutos para dorar la base y cocinar la harina.
- Añada la leche y remueva hasta que la mezcla se haya combinado; luego añada la sal, la pimienta negra y la pimienta cayena.
- Baje el fuego de la mezcla y añada la salchicha de regreso a la sartén; luego baje a fuego por 15 minutos con la tapa cerrada.
- Una vez que la salsa se haya cocido por 15 minutos, verifique la sazón y baje la temperatura a tibio. Con la tapa cerrada, la salsa estará a temperatura ideal hasta que sea tiempo de comer.
- Sirva con galletas.

**NOTA:** Esta es la receta de desayuno. La salsa puede mantenerse en la sartén en tibio, para que la gente pueda tomar por cucharadas lo que deseen.

# Pad Thai

Rinde para 10-12 porciones

## Ingredientes:

10 camarones, pelados y sin venas

Aceite para cocinar

3 tazas de tofu marinado, cortado en cubos (marinado en 1 ½ tazas de salsa de soya, ¾ taza de mirin, ¾ taza de salsa de pescado)

½ taza de bulbos de cebollín, picados

¾ taza de chalotes, picados

½ taza de ajo, triturado

8 huevos

12 oz de fideos de arroz, cocidos; siga las instrucciones de cocción de la caja

2 tazas de col china cortada en julianas

¾ taza de cebollín verde, picado

2 tazas de maní picado

2 tazas de germinados de frijol

Rodajas de lima

## Ingredientes de la salsa:

¼ taza de pasta de tamarindo

½ taza de salsa de pescado

¼ taza de vinagre de vino de arroz

½ taza de azúcar de palma, rallada

Jugo de una lima

- Prepare la salsa combinando todos los ingredientes y remueva hasta que el azúcar de palma se disuelva. Déjela a un lado.
- Con la temperatura configurada en "sear" (sellado), añada algo de aceite a la sartén y selle los camarones hasta que estén cocidos, luego retire.
- Selle el tofu hasta que esté color dorado oscuro por todos los lados y luego retire.
- Añada la parte blanca del cebollín, los chalotes y el ajo, y cocine hasta que el ajo comience a tomar color. Añada los huevos y revuélvalos hasta que estén cocidos, luego añada los fideos y mezcle exhaustivamente.
- Añada la col, los camarones, el tofu y la salsa, y mezcle hasta que los ingredientes estén esparcidos uniformemente. Los fideos absorben la mayoría de la salsa, por lo que sólo debería quedar muy poco al fondo de la sartén.
- Termine con la parte verde del cebollín, el maní, los germinados de frijol y las rodajas de lima.

**NOTA:** Este plato puede servirse en la sartén o en un tazón, así que todos pueden acompañar su plato con lo que deseen.

# Paella

Rinde para 8-10 porciones

## Ingredientes:

1lb muslos de pollo deshuesado y sin piel, cortado en tiras

10 camarones, pelados y sin venas

Aceite para sellar

10 oz chorizo seco, cortado en rodajas

1 pimiento rojo, en dado medianos

1 cebolla pequeña, en dados pequeños

4 dientes de ajo, triturados

3 hojas de laurel

1 cucharadita pimentón ahumado

1 pizca azafrán

3 tomates, picados

7 tazas de caldo de pollo

2 ½ tazas de arroz de grano corto

1 taza de arvejas congeladas

10 mejillones

- Configure la temperatura en "sear" (sellado). Su sartén empezará a precalentar. Una vez que la luz indicadora se apaga, puede empezar a cocinar.
- Empiece por sazonar el pollo y los camarones con sal. Selle los camarones con aceite por ambos lados para que tomen color, luego retire.
- Añada el pollo y el chorizo, y selle hasta que el pollo esté dorado.
- Añada los pimientos, la cebolla y el ajo y una pizca grande de sal. Cocine y remueva de vez en cuando hasta que los vegetales estén suaves, unos 10 minutos.
- Añada las hojas de laurel, el pimentón, el azafrán y los tomates, y cocine por 5 minutos.
- Añada el caldo a la sartén y luego añada el arroz una vez que rompa el hervor.
- Coloque la tapa y cocine por 15 minutos; la mayoría del caldo debería ser absorbido por el arroz.
- Una vez que el arroz esté cocido, añada las arvejas, mejillones y camarones. Cocine con la tapa puesta hasta que los mejillones se abran.
- Una vez que los mejillones se han abierto y los camarones están calientes, la paella está lista.

**NOTA:** Este plato se ha de servir en la sartén. Es excelente para grupos grandes y entretenimiento.

# Estofado de carne

Rinde para 5 personas o duplique para 10

## Ingredientes:

3 lbs bistec de punta de paleta

Aceite para cocinar

1 ½ tazas de zanahoria, cortada en rodajas

2 tazas de cebolla, en dados grandes

1 ½ tazas de apio, en dados grandes

2 tomates, picados

1 diente de ajo, en mitad

½ taza de pasta de tomate

1 taza de vino tinto

2 cuartos de caldo de res

2 tazas de papas Yukón doradas

2 tazas hongos shitake, limpios

3 hojas de laurel

1 ramito de tomillo

4 tallitos de romero

- Prepare un ramillete usando las hojas de laurel, el tomillo y el romero.
- Sazone la carne exhaustivamente con sal y pimienta negra.
- Con la temperatura configurada en "sear" (sellar), selle la carne con algo de aceite por todos los lados hasta que quede acaramelada; retire la sartén.
- Añada las zanahorias, la cebolla, el apio y una pizca de sal. Cocine hasta que las cebollas estén traslúcidas, unos 6 minutos.
- Añada los tomates y el ajo, y siga cocinando hasta que el agua de los tomates se haya evaporado.
- Añada la paste de tomate y siga cocinando hasta que se haya formado un fondo en la parte inferior de la sartén.
- Desglase con el vino tinto y cocine hasta que esté casi seco.
- Añada el caldo y una pizca de sal; luego ponga a hervir.
- Regrese la carne a la sartén junto con las papas, hongos y el ramillete. Baje la configuración de la temperatura a 275°F y cocine por 2 ½ horas con la tapa puesta.

**NOTA:** Esto puede servirse en la sartén o en tazones individuales.

## Guiso de tostada francesa

Rinde para 12 a 16 porciones, dependiendo del tamaño

### Ingredientes:

8 huevos

½ taza de leche

½ taza de crema

1 taza de miel

1 cucharadita de canela molida

½ cucharadita de nuez moscada molida

2 cucharadas de extracto de vainilla

1 cucharada de sal

18 oz de pan brioche, en cubos y seco

- Precaliente la sartén en 350°F.
- Combine huevos, leche, crema, miel, extracto de vainilla y sal en una licuadora y licúe hasta que esté suave.
- Vierta sobre el pan y deje que se remoje por 1 hora.
- Rocíe la sartén con un rociador antiadherente y añada la mezcla de pan, formando una capa uniforme en la sartén. Cualquier base extra puede verse encima.
- Cierre la tapa y deje que el guiso se cocine por 40-45 minutos, verificando frecuentemente si ya está listo.
- Luego de 40 minutos, apague la sartén y déjela reposar por 15 minutos.
- Se sugiere servir con miel de arce y azúcar en polvo.

**NOTA:** Esta receta puede servirse directamente desde la sartén o puede cortar rebanadas usando una espátula de hule.

# GARANTÍA LIMITADA DEL FABRICANTE

 : [www.all-clad.com](http://www.all-clad.com) / [www.all-clad.ca](http://www.all-clad.ca)

*Comprometidos fuertemente con el medio ambiente, los productos eléctricos All-Clad son reparables durante y posteriormente al periodo de garantía, Antes de regresar cualquier producto al sitio de venta, por favor llame directamente a servicios al consumidor de All-Clad, para conocerlas opciones de reparación, al número indicado abajo.*

*Apreciamos su ayuda para preservar el medio ambiente!*

## Garantía

All-Clad garantiza este producto eléctrico o que funciona con baterías por **2 años** contra cualquier defecto de fabricación tanto en materiales como en mano de obra, a partir de la fecha de compra.

La garantía del fabricante All-Clad, es un beneficio extra que no afecta los derechos legales del consumidor

La garantía All-Clad cubrirá todos los gastos relacionados con la reparación de los productos defectuosos hasta que cumplan con sus especificaciones originales, mediante la reparación o reemplazo de cualquier pieza defectuosa y la mano de obra necesaria para ello. A criterio de All-Clad, en lugar de la reparación, podría hacer cambio de producto.

La única obligación de All-Clad y su exclusiva determinación bajo esta garantía se limita a la reparación o reemplazo del producto.

## Condiciones y exclusiones

La garantía All-Clad, aplica solamente en Estados Unidos de Norteamérica y Canadá, y será válida solamente con la presentación del comprobante de compra.

Para toda asistencia, por favor llame a Servicios al Consumidor de All-Clad al número gratuito abajo o describe en el sitio de internet. Un representante le ayudará personalmente diagnosticando la situación, y haciendo reparar o sustituir el producto en el centro de servicio All-Clad más próximo

All-Clad no está obligado a reparar o reemplazar ningún producto el cual no sea acompañado de su comprobante de compra. Esta garantía no cubre ningún daño que pudiera ocurrir como resultado de mal uso, negligencia, o no haber seguido las instrucciones de uso establecidas por All-Clad, uso de corriente o voltaje diferente al indicado en el producto, o una modificación o reparación no autorizada del mismo. Tampoco cubre el desgaste o deterioro normal del producto, ni el reemplazo de componentes consumibles, ni lo siguiente:

- uso de tipo incorrecto de agua cualquier otro producto inadecuado
- sarro (la eliminación de sarro (residuos calcáreos) deberá ser llevada a cabo de acuerdo a las instrucciones de uso)
- ingreso de agua, polvo o insectos al interior del producto

- daños mecánicos, sobrecargas
- accidentes incluyendo fuego, inundaciones, rayos, etc
- uso comercial o profesional
- daños en componentes de vidrio o cerámicos en el producto

Esta garantía no aplica a ningún producto si ha sido intervenido, o presenta daños derivados de uso o cuidado incorrecto, mal empaquetado por el propietario o mal manejo por parte del servicio de paquetería.

La garantía All-Clad, aplica solo a los productos comprados en Estados Unidos de Norteamérica y Canadá, cuando un producto es comprado en un país y usado en otro diferente:

- a) La garantía All-Clad no aplica en caso de no conformidad del producto comprado con los estándares locales, tales como voltaje, frecuencia, contactos eléctricos, u otras especificaciones técnicas.
- b) El proceso de reparación de un producto comprado fuera del país de uso, puede necesitar de un tiempo mayor si el producto no es vendido localmente
- c) En caso de que el producto no sea reparable en el nuevo país, la garantía All-Clad se limita al reemplazo por un producto similar, o un producto alternativo de costo similar, dentro de lo posible.

### Derechos establecidos por la ley al Consumidor

Esta garantía All-Clad, no afecta los derechos establecidos por la ley que el consumidor pudiera tener o aquellos derechos que no pueden ser excluidos o limitados, tampoco los derechos contra el distribuidor al que el consumidor le haya comprado el producto. Esta garantía proporciona al consumidor derechos legales específicos, y el consumidor podrá tener también otros derechos legales los cuales varían de Estado a Estado o de País a País o de Provincia a Provincia. El consumidor podrá hacer valer esos derechos a su discreción.

### Información adicional

Accesorios, consumibles y piezas reemplazables pueden ser compradas si localmente se encuentran disponibles, como se describe en el sitio de internet de All-Clad.

<b>U.S.A.</b>	<b>GROUPE SEB USA</b> 2121 Eden Road Millville, NJ 08332	<b>CANADA</b>	<b>GROUPE SEB CANADA</b> 345 Passmore Avenue Toronto, ON M1V 3N8
	800-255-2523		1-800-418-3325











[www.all-clad.com](http://www.all-clad.com)