

Professional Range 36"

SPR36UIMX
Stainless steel
Full electric



Compact-design range with electric oven and induction or ceramic glass cooktop: the perfect mix of style, quality and technology thanks to homogeneous and instantaneous heat, maximum safety and attention to consumption.

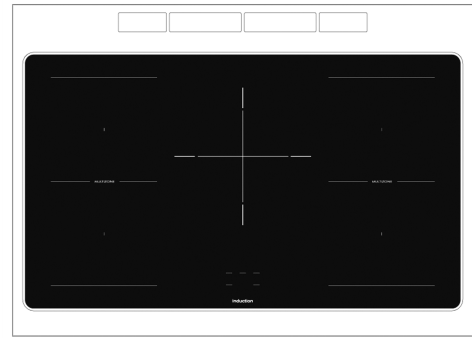
Features

Induction hob - Induction offers fast cooking and precise temperature control

Touch control - Easy and intuitive timer setting with a single touch

Tangential cooling - New cooling system with tangential fan and airflow from the door to the splashback

True-convection - The best cooking performances guaranteed by ventilated circular flow.



Cooktop technical features

| | |
|---------------|-------------------------|
| Cooking zones | 5 |
| Front-left | 1300 W - Booster 1400 W |
| Rear-left | 2300 W - Booster 3000 W |
| Center | 2300 W - Booster 3000 W |
| Rear-right | 1300 W - Booster 1400 W |
| Front-right | 2300 W - Booster 3000 W |

Aesthetic

| | |
|--------|-----------------|
| Series | Professional |
| Color | Stainless steel |

General information

| | |
|------------|---------------|
| Range size | 36" |
| Range type | Full electric |

Programs / Functions

| | |
|--------------------------|------------|
| Cleaning functions | VaporClean |
| No. of cooking functions | 8 |

Main oven options

| | |
|---------------------|--------|
| Minimum Temperature | 151 °F |
| Maximum temperature | 500 °F |

Main Oven Technical Features

| | |
|---------------------------|------------------|
| Volume | 4.45 cu. ft. |
| Cavity material | EverClean enamel |
| No. of shelves | 5 |
| Removable inner door | Yes |
| Total no. of door glasses | 3 |
| Soft Close system | Yes |

Included accessories

Oven wire rack 2

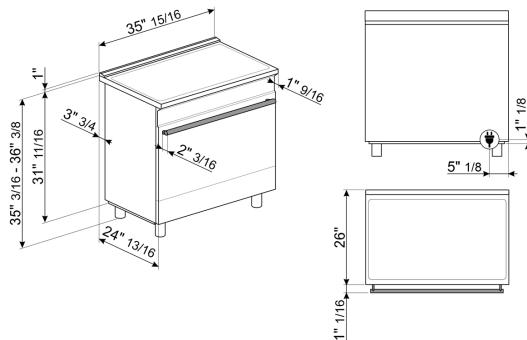
Electrical Connection

Circuit breaker 50 A
 Voltage 208/240 V
 Frequency 60 Hz

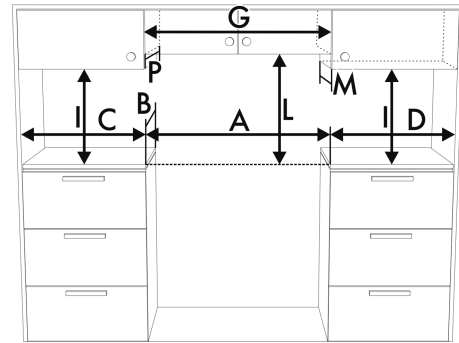
Logistic Information

Width 35 7/8 "
 Depth 26 "
 Height 35 3/16 "
 Net weight 215 lbs

Product dimension drawing



Product installation drawing



| | | |
|----------------|-----------------|--------|
| A | 24" | 610 mm |
| B | 25" | 630 mm |
| C ¹ | see user manual | |
| D ¹ | see user manual | |
| G ² | 24" | 610 mm |
| I ³ | 18" | 457 mm |
| L | see user manual | |
| M ⁴ | 13" | 330 mm |
| P ⁴ | 13" | 330 mm |

Accessories



GT3T
 Total-extraction telescopic guides



KITTKSPR36
 Plinth, 3 sides, 900mm, SPR cookers 30", black



PALPZ
 Pizza shovel with fold away handle

Color option



SPR36UIMAN
 Color: Matte Black



SPR36UIMMW
 Color: Matte White