

DEU2450BG/ADA



FEATURES

Fully customizable exterior—accepts custom panels for an integrated look within cabinetry or stainless-steel accessory panels and handles to coordinate with other Sub-Zero, Wolf, and Cove appliances

Seamlessly integrating anywhere, an undercounter beverage center adds comfort to your master suite, creates a corner for libations in the study—the options are endless

ADA height compatible, offering additional handleless-design flexibility

Patented, full-extension upright beverage shelf features adjustable gates that anchor contents upright and in place and fold down flat to make room for bulky items

Full-extension, multipurpose shelf offers ample storage space for bottles, soft drinks, and food

Intuitive, on-door touch control panel offers ergonomic, convenient access to settings

Nano coating lines the perimeter of each glass shelf to create a hydrophobic barrier that helps contain spills

UV-resistant glass door protects food and beverages from harmful light that hastens spoilage

Magnetic door seals lock in cold air to ensure freshness and provide superior energy efficiency

Offers precise temperature control within one degree of setpoint, preserving wine, craft beer, dairy, produce, and other perishables at their optimal temperature

Soft-on LED lighting fully illuminates the interior when the door is open and can be adjusted to four unique stand-by accent lighting settings

Control your appliance from wherever you are using our convenient Owner's App—adjust temperatures, be notified of a door left ajar, or receive remote service diagnostics

ACCESSORIES

Custom Panel Lock Kit

Dual Install Kit - Handle-to-Handle

Pro Handle

Stainless Steel Dual Kickplate - 48"

Tubular Handle

ADA Height Stainless Steel Glass Door Panels

Accessories are available through an authorized dealer.
For local dealer information, visit subzero-wolf.com/locator.



HANDLE ACCESSORIES

PRO



TUBULAR



PRODUCT DETAILS

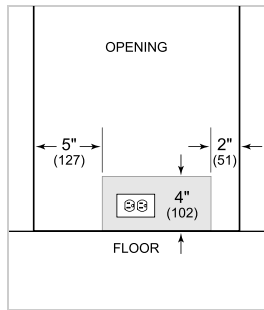
REFRIGERATOR

- 1 full-extension upright beverage shelf
- 1 full-extension multipurpose shelf
- 1 adjustable glass shelf
- LED lighting

PRODUCT SPECIFICATIONS

Model	DEU2450BG/ADA
Dimensions	24"W x 32 1/2"H x 23 1/8"D
Refrigerator Capacity	5.1 cu. ft.
Weight	139 lbs
Electrical Supply	115 VAC, 60 Hz
Electrical Service	15 amp dedicated circuit
Wine Storage Capacity	8 Bottles
Receptacle	3-prong grounding-type

ELECTRICAL

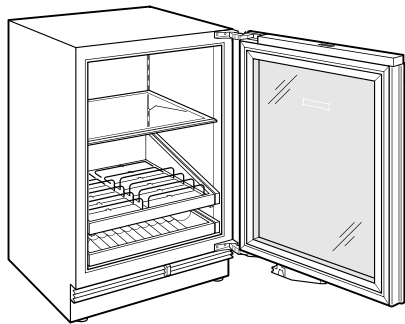


NOTE: The electrical outlet must be positioned with the grounding prong to the right of the thinner blades.

PANEL SPECIFICATIONS For complete panels specifications including width/height, weight requirements and thickness requirements visit subzero-wolf.com/reveal.

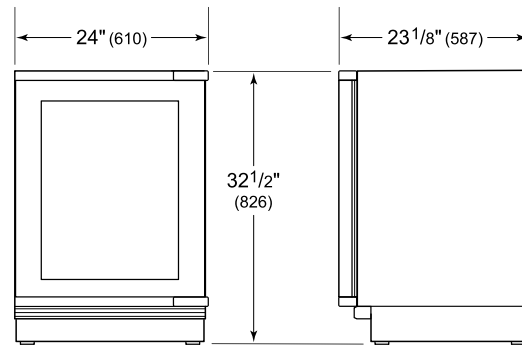
NOTE: Dimensions in parenthesis are in millimeters unless otherwise specified

INTERIOR VIEW

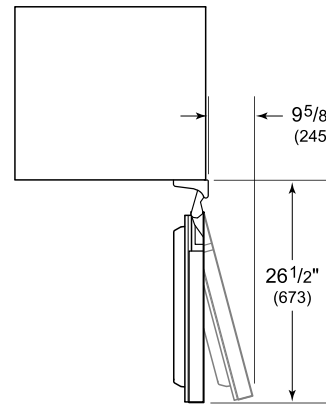


This illustration is intended for interior reference only and may not represent the exterior of the model being specified.

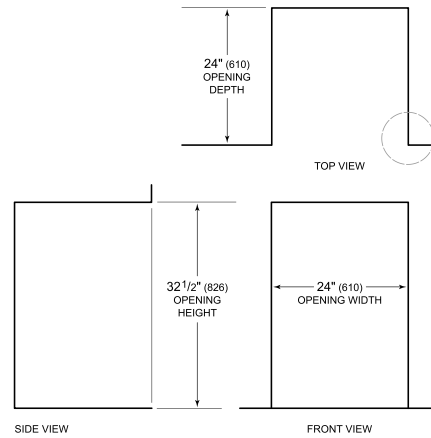
DIMENSIONS



HEIGHT DIMENSIONS ± 1/2" (13)



STANDARD INSTALLATION



NOTE: 3/2" (89) finished returns will be visible and should be finished to match cabinetry.

