



5 SERIES ELECTRIC RANGE

Viking 5 Series – VER

COMMERCIAL-TYPE COOKING POWER

- QuickCook™ Surface Elements utilize ribbon technology – elements reach full power in about three seconds
- Wide range of surface elements and wattages
 - Right front – 7” 1,800-watt element
 - Right rear – 7” 1,800-watt element
 - 800-watt “bridge” element between right front and right rear elements; excellent for use in conjunction with both right elements for griddling with optional accessory
 - Left front – 6 ½” 1,500-watt element
 - Left rear (dual element) – 9” New 3,000-watt element/6” 1,400-watt element
- High infrared transmission for fast surface cooking, regardless of type of cookware used
- **NEW** Stainless steel knobs and round bezels shipped standard
- One of the largest oven cavities in the industry
- **EXCLUSIVE** – patented Vari-Speed™ Dual Flow Convection System has the largest convection fan in the industry
- 8 ½” fan works bi-directionally for maximum airflow and excellent cooking results
- Concealed 10-pass dual bake element provides precise temperature control
- Large 10-pass broiler with heat reflector
- Rapid Ready™ preheat provides one of the fastest preheat times, so your oven is ready to begin cooking when you are
- Oven has six porcelain-coated rack positions and comes standard with two oven racks including two TruGlide™ full extension racks
- **EXCLUSIVE** – Gentle Close™ Door allows door to close slowly
- Three halogen oven lights for excellent visibility throughout the oven cavity
- High-performance cooking modes include bake, convection bake, TruConvec convection cooking, convection roast, broil, convection broil, convection dehydrate, and convection defrost



VER53044B



VER53044B

Shown in November Sky with Brass Accent

EASY OPERATION AND CLEANUP

- Strong, wear-resistant glass ceramic surface for excellent cleanability
- Self-cleaning porcelain oven
- Concealed 10-pass dual bake element makes for easy cleanup of the oven cavity

MODEL NUMBER

- VER53044B – 30”W. Electric Range; four burners

ACCESSORIES

- BG8530SS – 8”H. backguard for 30” range
- HS24530SS – high shelf for 30” range
- P24CSTSS – countertop side trim (2 pieces)
- P30CRTSS – countertop rear trim for 30” range
- P30CBF4SS – curb base and custom curb base front for 30” range

COLOR FINISHES

- Stainless Steel (SS)



- Available in 18 Exclusive Color Finishes: Antique Bronze (AN), Blush (BH), Cast Black (CS), Daffodil (DA), Damascus Gray (DG), Eucalyptus (EU), Golden Hour (GH), Ivy (IV), Martini (MA), Nantucket (NA), November Sky (NS), Onyx (ON), Pure White (PW), Slate Blue (SB), Spiced Cider (SC), Squall (SQ), Splash (SP), and Valentine (VA)



- **NEW** Exclusive Color Finish ranges have painted control panel and stainless steel landing ledge

BRUSHED BRASS ACCENT

- Available in Stainless Steel Finish and Exclusive Color Finishes
- Brass Accent includes handle endcaps, knob bezels, and logo

WARRANTY

- 2-year full – complete product
- 90-day full – cosmetic parts such as glass, painted items and decorative items
- 5-year limited – electric heating elements

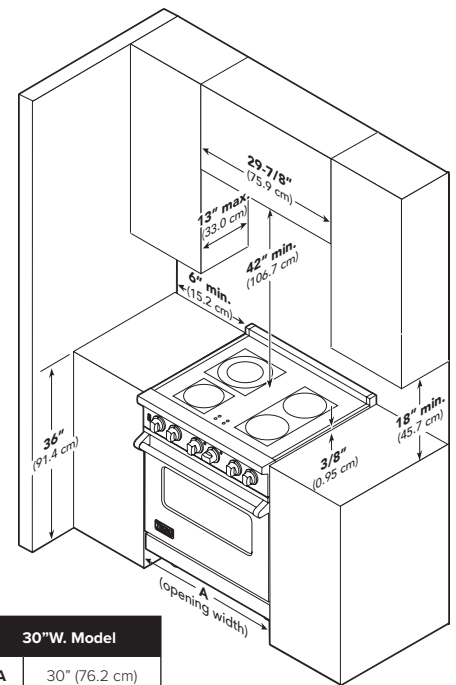
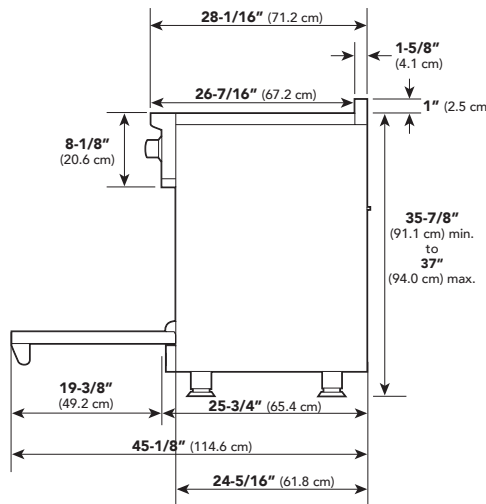
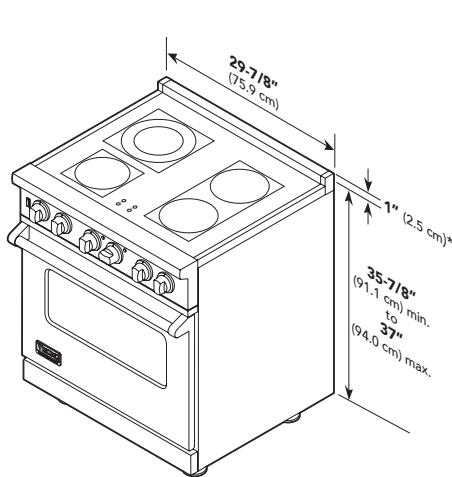


5 SERIES ELECTRIC RANGE

Viking 5 Series – VER

ELECTRIC 30"W. RANGE	
DESCRIPTION	VER530
Overall Width	29-7/8" (75.9 cm)
Overall Height from Bottom	Base Height To top of glass frame – minimum 35-7/8" (91.1 cm) to maximum 37" (94 cm); legs adjust 1-1/8" (2.9 cm) Additions to Base Height To top of island trim – add 1" (2.5 cm); to top of backguard – add 8" (20.3 cm) To top of high shelf – add 23-1/2" (59.7 cm)
Overall Depth from Rear	To end of side panel – 24-5/16" (61.8 cm) To front of door – 25-3/4" (65.4 cm) To end of door handle – 28-11/16" (72.9 cm)
Gas Requirements	Shipped natural or LP/Propane gas; field convertible from natural to LP wit
Electrical Requirements	240-208VAC, 60 Hz electrical connection box on product, connect with locally supplied 3-wire, flexible cord or "pigtail" rated 40 amp 125-250VAC minimum. Cord must be agency approved for use with household electric ranges.
Maximum Amp Usage	240V – 59.0 amps 208V – 51.3 amps
Surface Burner/Element Rating	Right Front/Right Rear: 1,800 watts Bridge: 800 watts Left Front: 1,500 watts Left Rear (dual element): 3,000 watts/1,400 watts
Oven Interior Dimensions	Overall Width – 25-5/16" (64.6 cm) Height – 16-1/2" (41.9 cm) Depth – 19-1/2" (49.5 cm) Overall Size – 4.7 cu. ft. AHAM Standard* – 4.1 cu. ft. 3 racks, 6 rack positions
Approximate Shipping Weight	353 lb. (160.1 kg)

Please do not prepare installation from brochure data only. See installation instructions for important clearance/installation information.
**The AHAM Standard for measuring oven capacity subtracts the door plug and convection baffle dimension from the total oven volume.



30"W. Model	
A	30" (76.2 cm)



VIKING RANGE, LLC 111 FRONT STREET GREENWOOD, MISSISSIPPI 38930 USA

For detailed product information, model numbers, or to request a quote call 1-888-845-4641 or visit vikingrange.com
© 2026 Viking Range, LLC All rights reserved. Specifications subject to change without notice.

