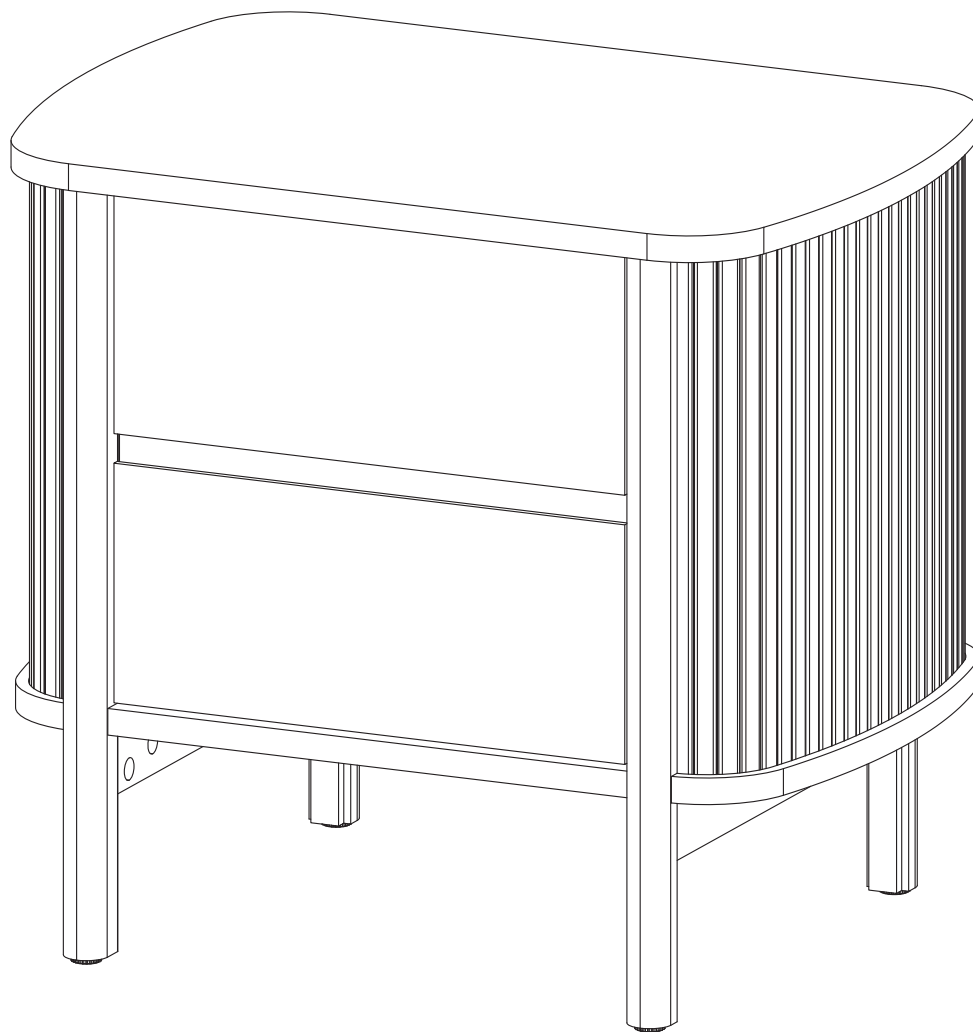


ASSEMBLY INSTRUCTIONS

MOD-7158

V0.10.23.23



Questions? Contact us!

609.256.9000 • cs@modway.com
www.modway.com

*modway

Let's get started!

*modway



Read through all of the instructions before starting



Care instructions are listed in the last step of this manual



Approx. 60 minutes assembly time



Make sure you have all parts and components before discarding any packing materials



1 people recommended for assembly

Only use hand tools to assemble this item. Do not use power tools. Do not tighten bolts or screws completely until all hardware is lined up and inserted into the holes.

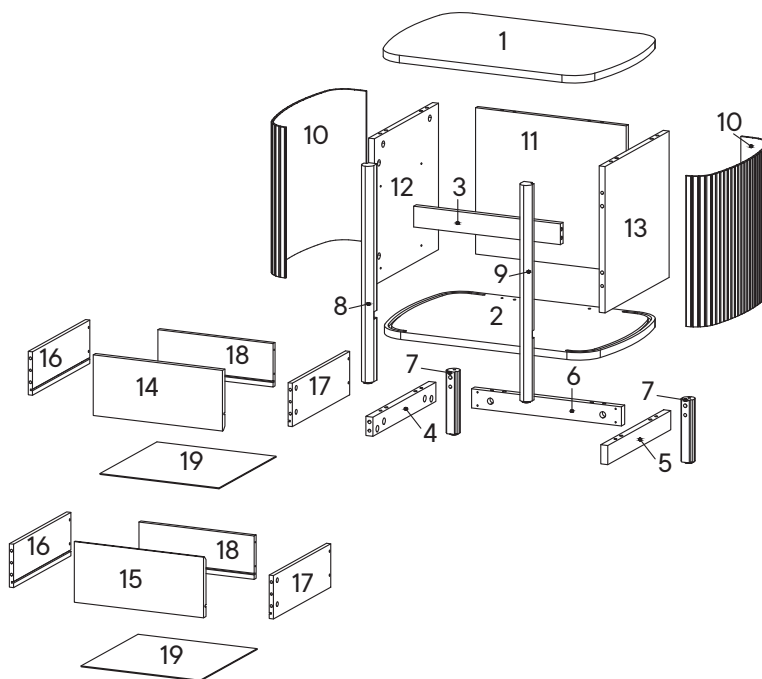
Do not over-tighten screws and bolts to avoid stripping the hardware or cracking the item.

Assemble your item on a flat, carpeted area, with plenty of space to work. This will prevent damage and scratches to your floors or the item while you're assembling the product.

Keep all components and packaging out of reach of children or animals to avoid risk of choking or suffocation.

Furniture components:

1	Top Board	x1	11	Back Board	x1
2	Bottom Board	x1	12	Center Board Left	x1
3	Support Board	x1	13	Center Board Right	x1
4	Bottom Skirt 1	x1	14	Front Drawer 1	x1
5	Bottom Skirt 2	x1	15	Front Drawer 2	x1
6	Bottom Skirt 3	x1	16	Side Drawer Left	x2
7	Back Leg	x2	17	Side Drawer Right	x2
8	Front Leg Left	x1	18	Back Drawer	x2
9	Front Leg Right	x1	19	Bottom Drawer	x2
10	Bar Side	x2			



Provided hardware:

A		Cam Bolt $\varnothing 6 \times 35$ mm	x30	J		Screw M 3.5 x 13 mm	x12
B		Cam Lock $\varnothing 15$ mm	x18	K		Bracket	x2
C		Cam Lock $\varnothing 12$ mm	x12	L		Stopper	x6
D		Wood Dowel $\varnothing 8 \times 30$ mm	x26	M		Allen Key	x1
E		Wood Dowel $\varnothing 6 \times 30$ mm	x8	N		Screw M 3.5 x 15.5 mm	x8
F		Screw M 7 x 50 mm	x6	O		Wedge	x8
G		Screw M 6 x 10.5 mm	x8	P		Screw Cap $\varnothing 15$ mm	x8
H		Screw M 8 x 39 mm	x8	RM35A		Drawer Runner	x2
I		Screw M 4.5 x 12.5 mm	x8				

What you need:

Phillips Head Screwdriver

Wait!

Missing parts or hardware? Need assistance?
Contact us before returning your item. We're here to help!
609.256.9000 • cs@modway.com

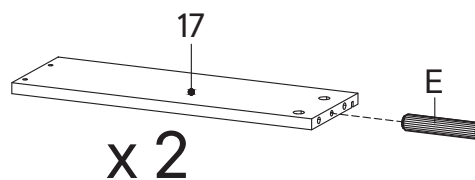
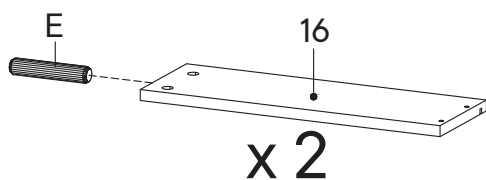
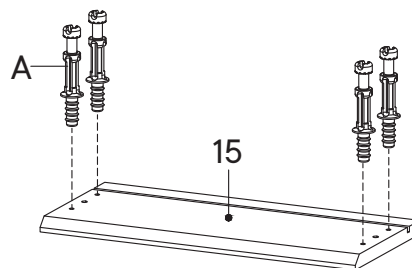
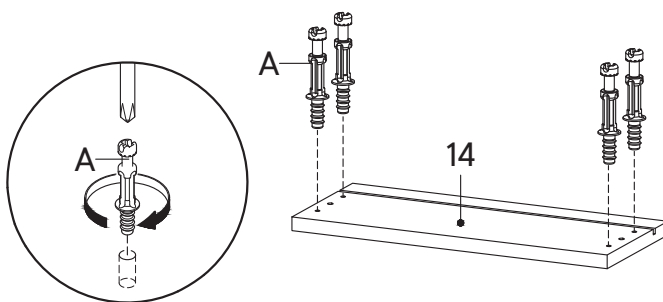
Step 1

HARDWARE

- A** Cam Bolt $\varnothing 6 \times 35$ mm x8
- E** Wood Dowel $\varnothing 6 \times 30$ mm x4

COMPONENTS

- 14** Front Drawer 1 x1
- 15** Front Drawer 2 x1
- 16** Side Drawer Left x2
- 17** Side Drawer Right x2



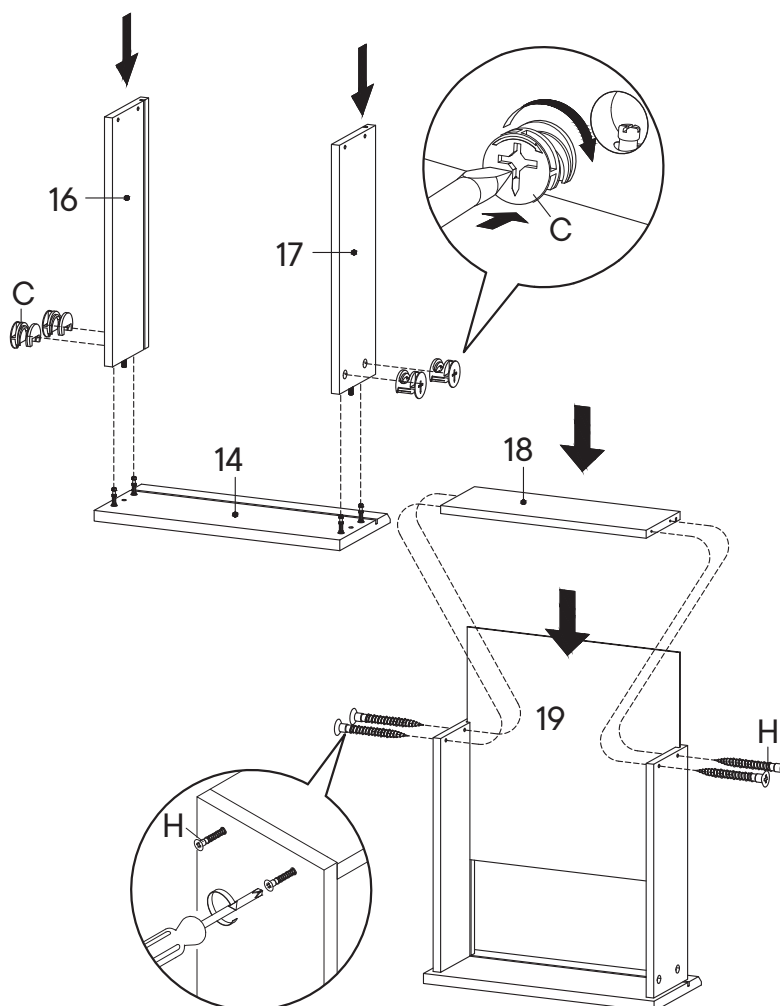
Step 2

HARDWARE

- C** Cam Lock $\varnothing 12$ mm x4
- H** Screw M 8 x 39 mm x4

COMPONENTS

- 14** Front Drawer 1 x1
- 16** Side Drawer Left x1
- 17** Side Drawer Right x1
- 18** Back Drawer x1
- 19** Bottom Drawer x1



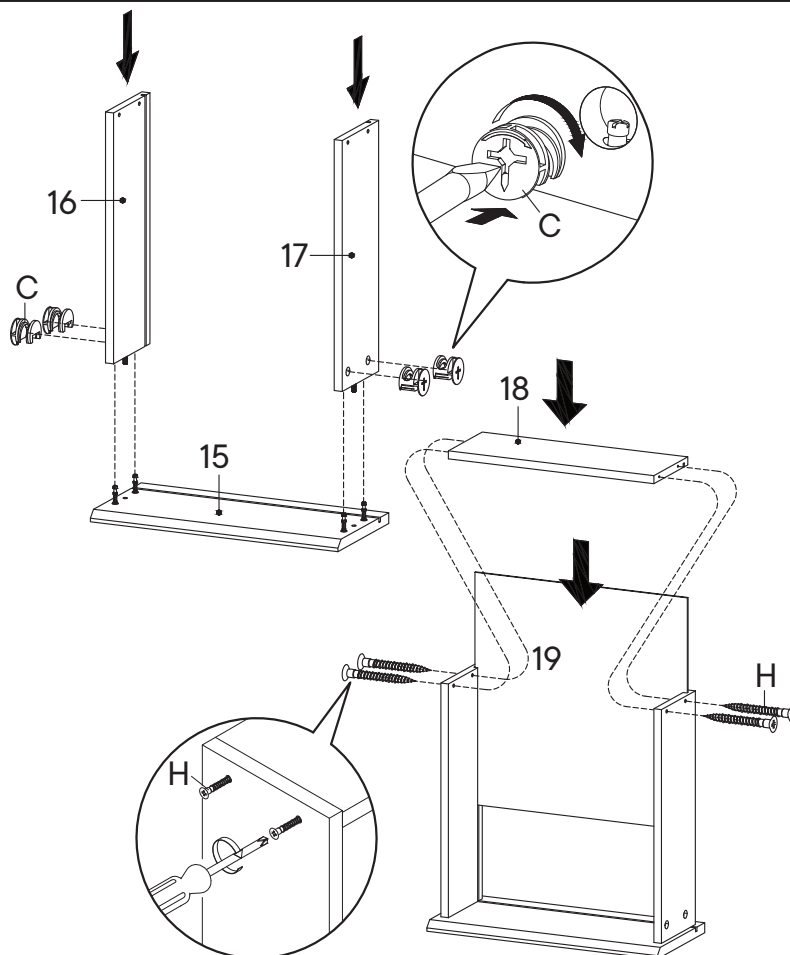
Step 3

HARDWARE

- C** Cam Lock Ø12 mm x4
- H** Screw M 8 x 39 mm x4

COMPONENTS

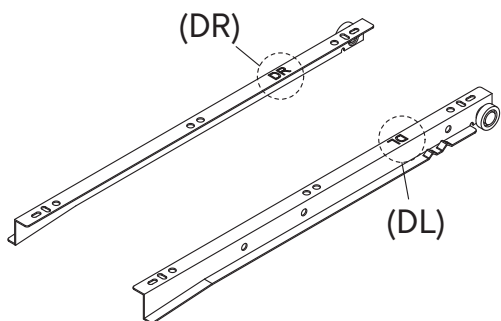
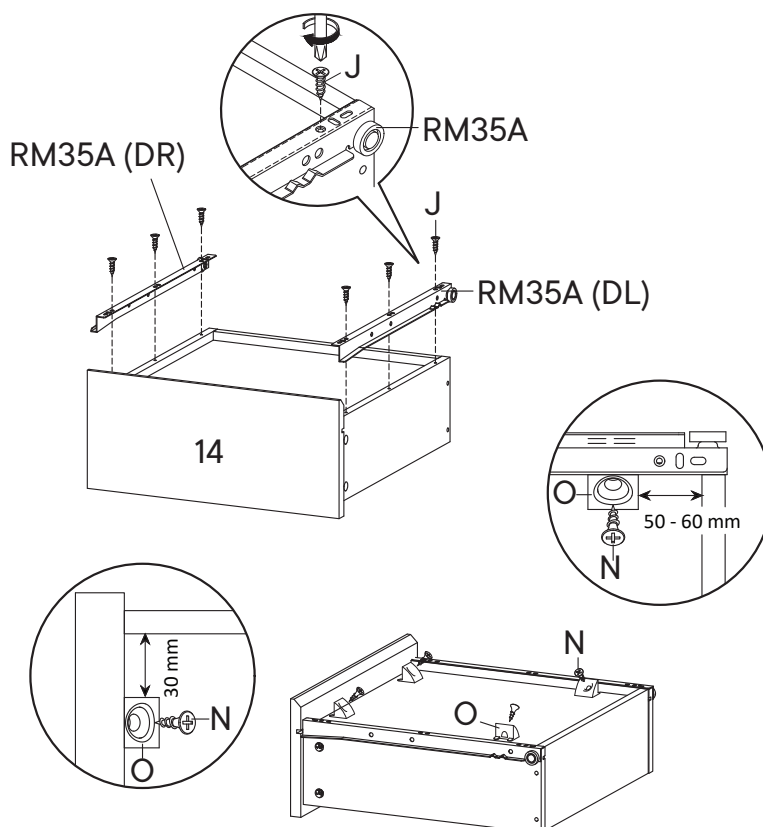
- 15** Front Drawer 2 x1
- 16** Side Drawer Left x1
- 17** Side Drawer Right x1
- 18** Back Drawer x1
- 19** Bottom Drawer x1



Step 4

HARDWARE

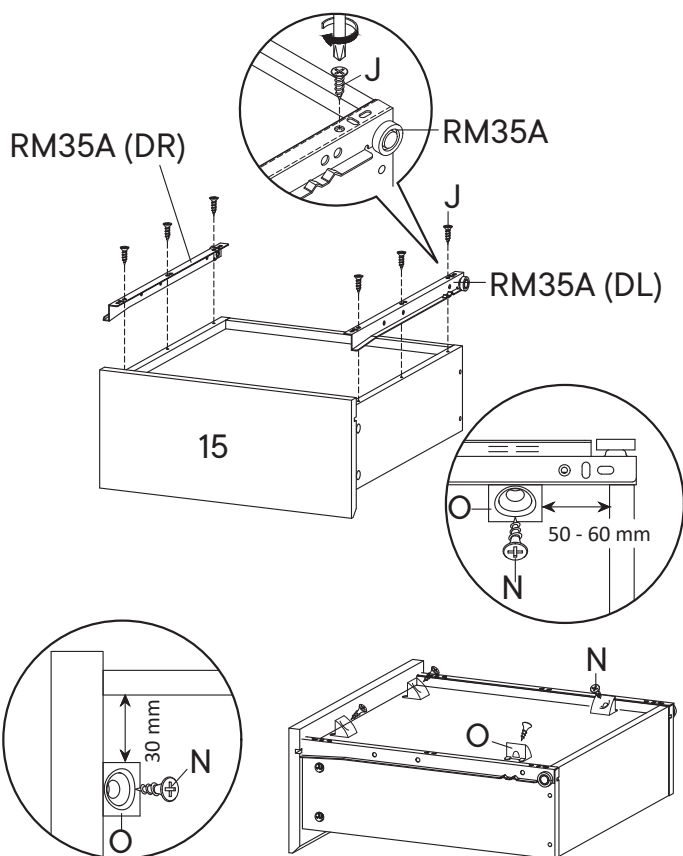
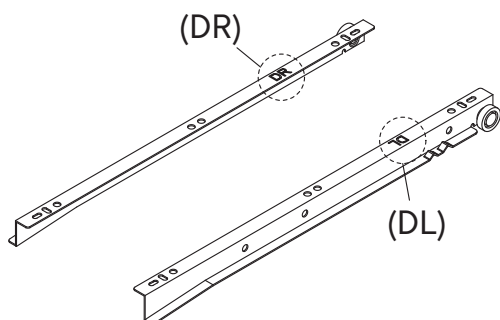
- J** Screw M 3.5 x 13 mm x6
- N** Screw M 3.5 x 15.5 mm x4
- O** Wedge x4
- RM35A** Drawer Runner x1



Step 5

HARDWARE

- J** Screw M 3.5 x 13 mm x6
- N** Screw M 3.5 x 15.5 mm x4
- O** Wedge x4
- RM35A** Drawer Runner x1



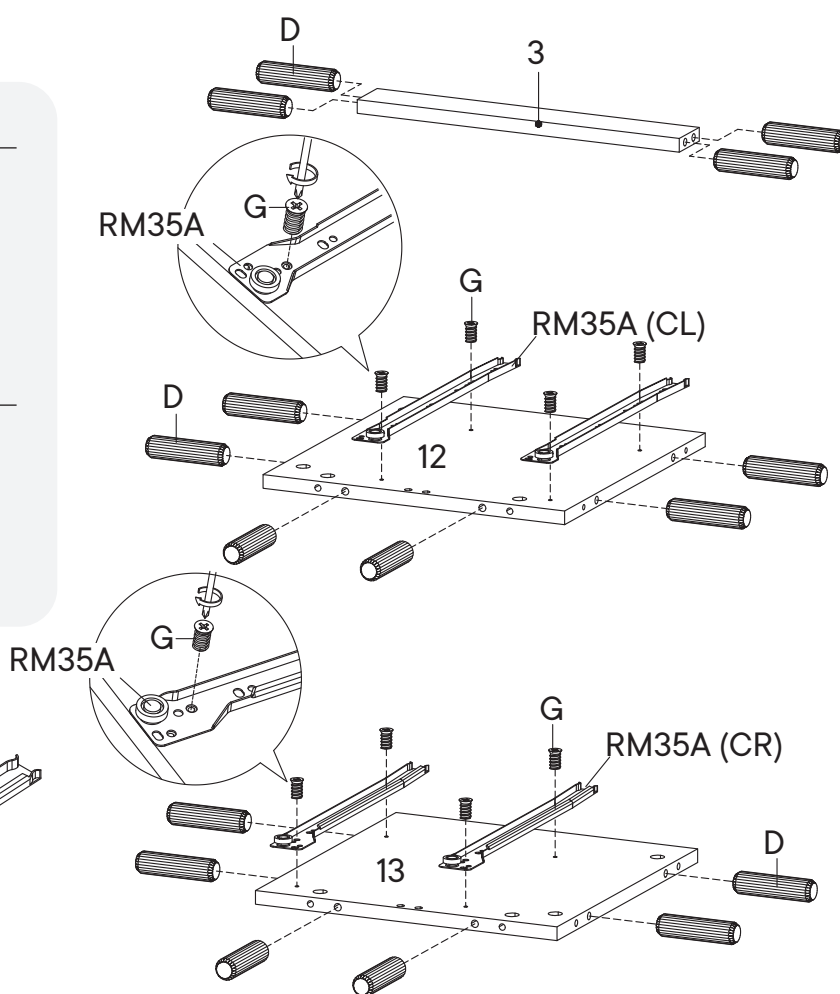
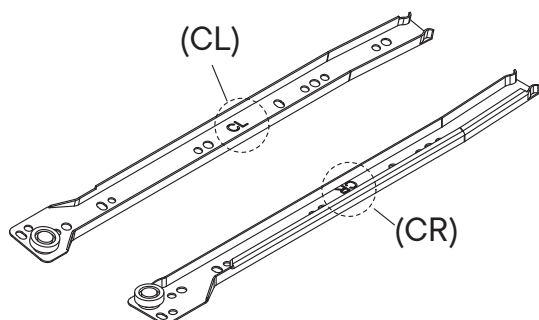
Step 6

HARDWARE

- D** Wood Dowel Ø8 x 30 mm x16
- G** Screw M 6 x 10.5 mm x8
- RM35A** Drawer Runner x2

COMPONENTS

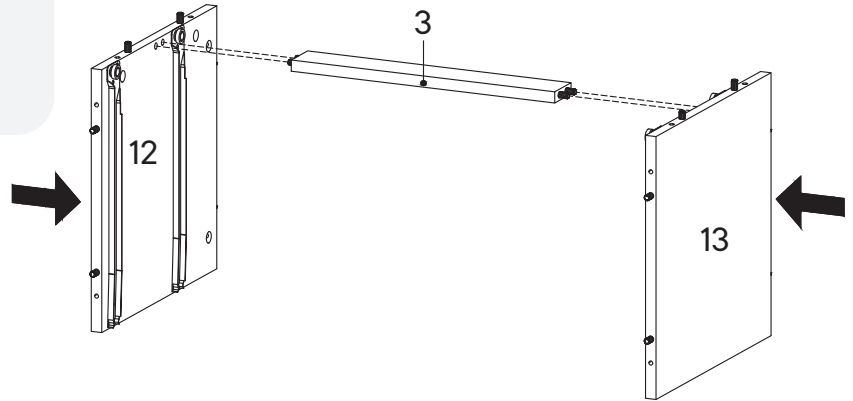
- 3** Support Board x1
- 12** Center Board Left x1
- 13** Center Board Right x1



Step 7

COMPONENTS

- 3 Support Board x1
- 12 Center Board Left x1
- 13 Center Board Right x1



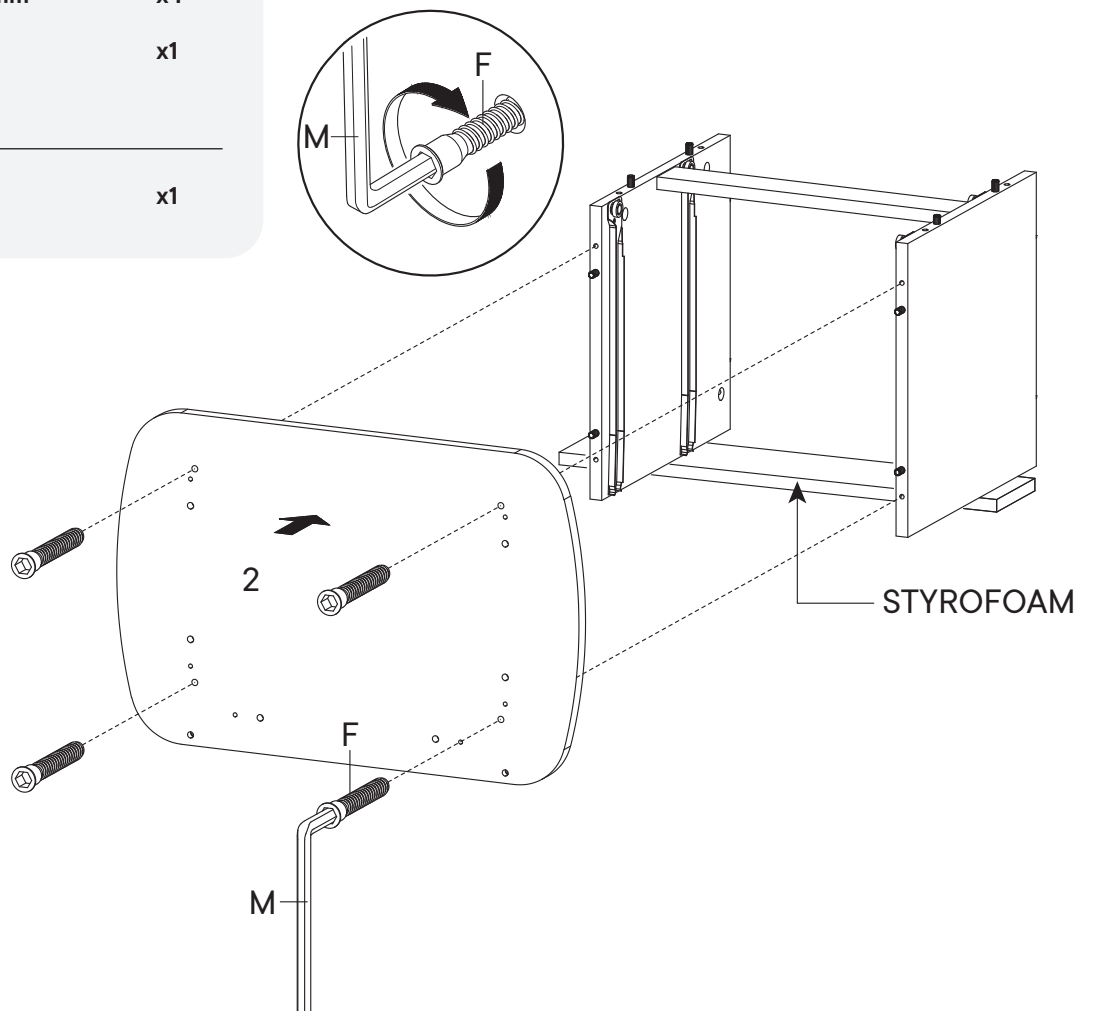
Step 8

HARDWARE

- F Screw M 7 x 50 mm x4
- M Allen Key x1

COMPONENTS

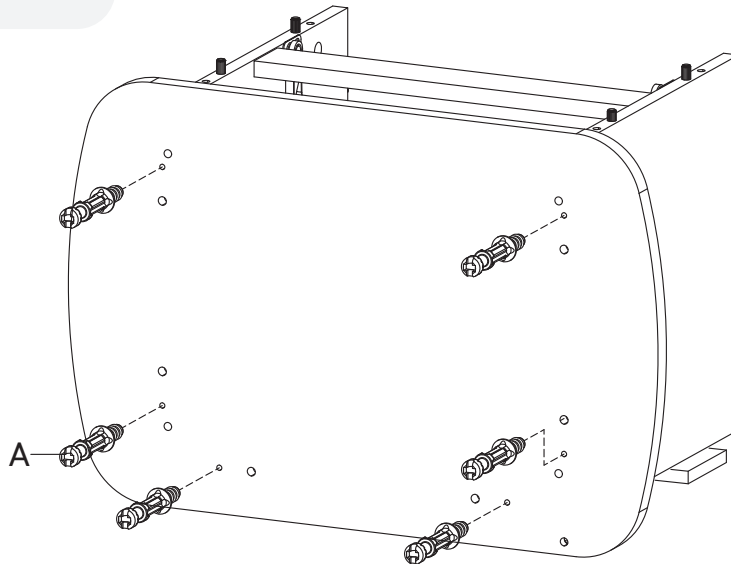
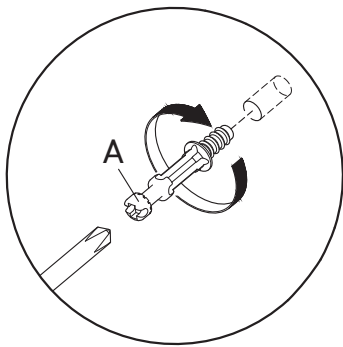
- 2 Bottom Board x1



Step 9

HARDWARE

- A** Cam Bolt $\varnothing 6 \times 35$ mm x6



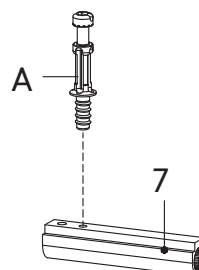
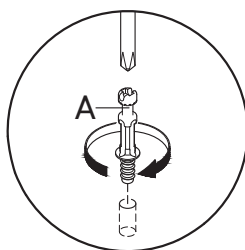
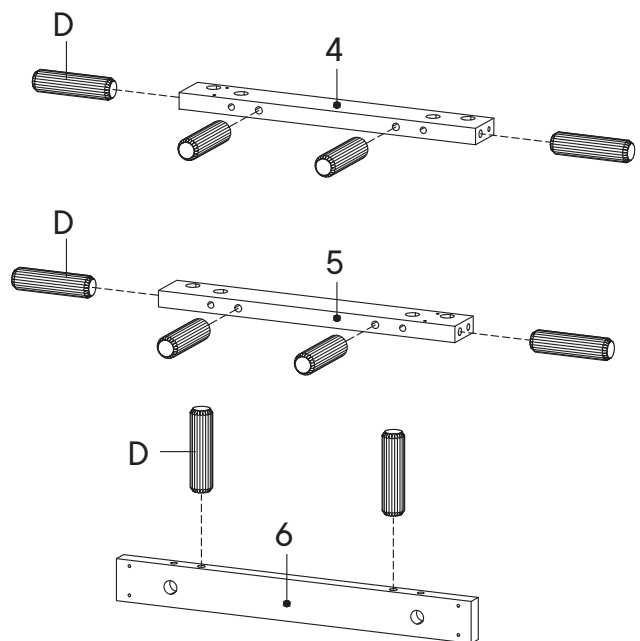
Step 10

HARDWARE

- A** Cam Bolt $\varnothing 6 \times 35$ mm x2
- D** Wood Dowel $\varnothing 8 \times 30$ mm x10

COMPONENTS

- 4** Bottom Skirt 1 x1
- 5** Bottom Skirt 2 x1
- 6** Bottom Skirt 3 x1
- 7** Back Leg x2



x 2

Step 11

HARDWARE

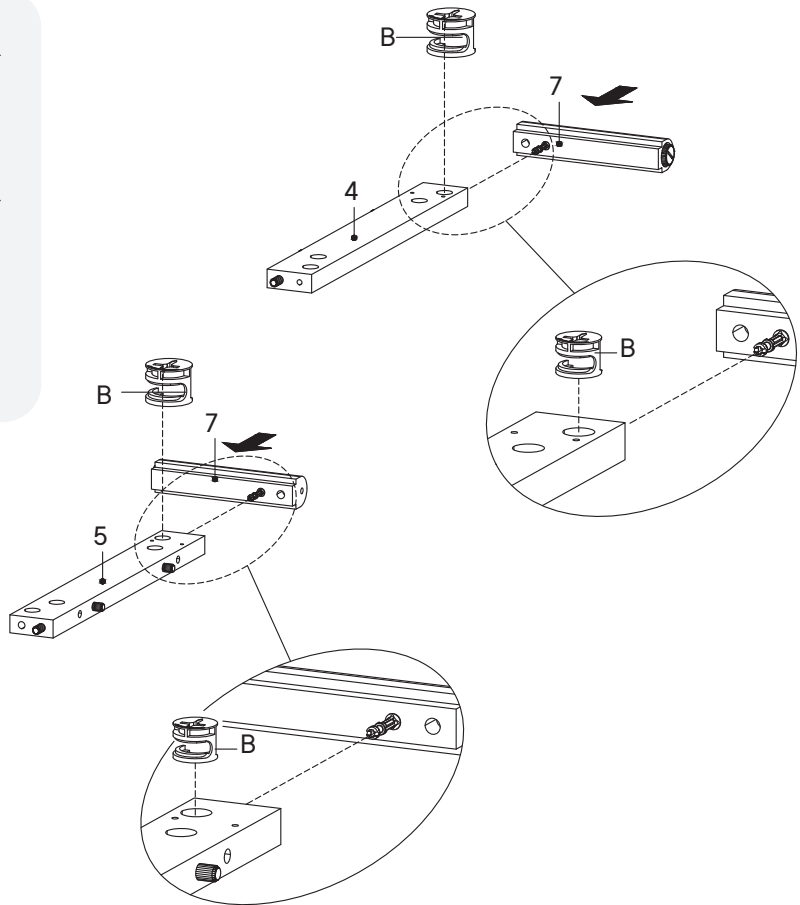
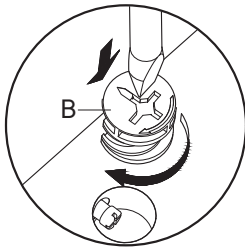
B Cam Lock Ø15 mm x2

COMPONENTS

4 Bottom Skirt 1 x1

5 Bottom Skirt 2 x1

7 Back leg x2



Step 12

HARDWARE

B Cam Lock Ø15 mm x2

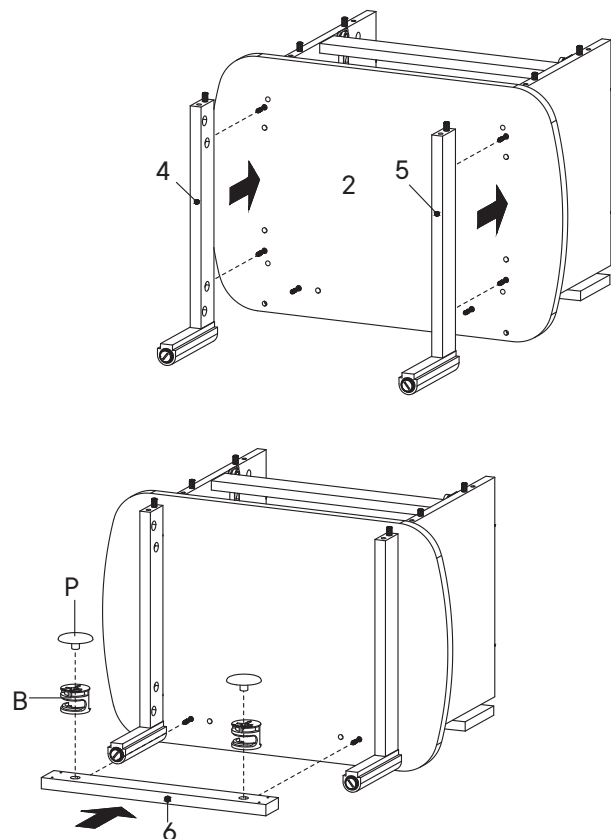
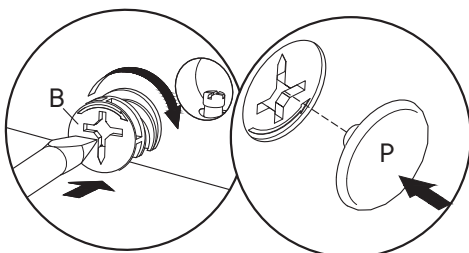
P Screw Cap Ø15 mm x2

COMPONENTS

4 Bottom Skirt 1 x1

5 Bottom Skirt 2 x1

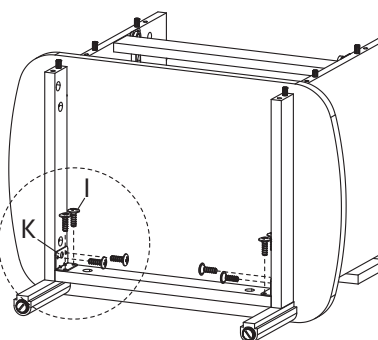
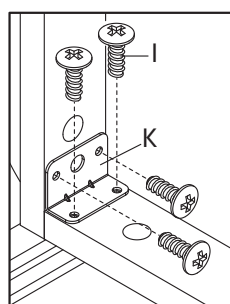
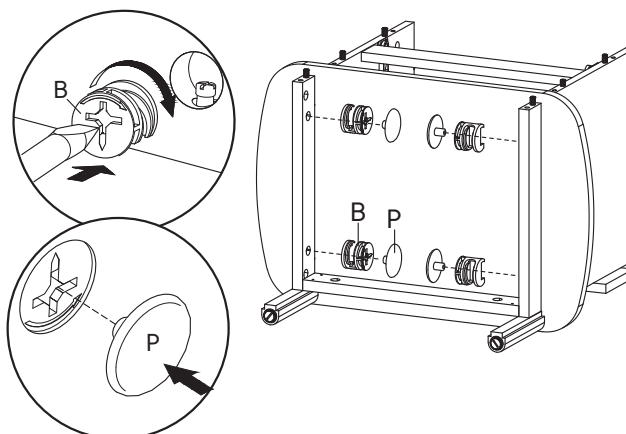
6 Bottom Skirt 3 x1



Step 13

HARDWARE

- B** Cam Lock $\varnothing 15$ mm x4
- I** Screw M 4.5 x 12.5 mm x8
- K** Bracket x2
- P** Screw Cap $\varnothing 15$ mm x4



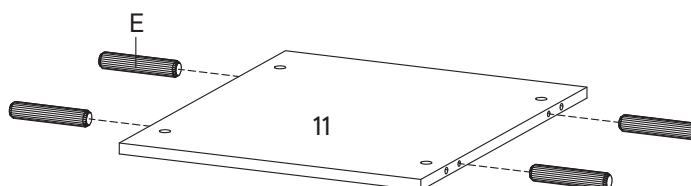
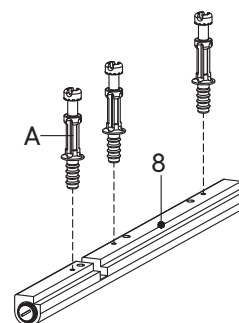
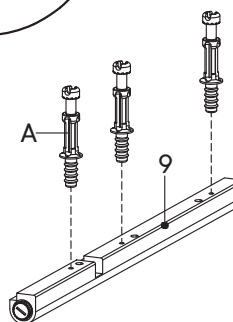
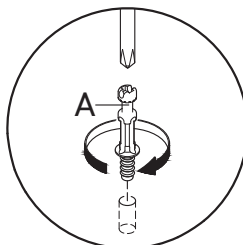
Step 14

HARDWARE

- A** Cam Bolt $\varnothing 6$ x 35 mm x6
- E** Wood Dowel $\varnothing 6$ x 30 mm x4

COMPONENTS

- 8** Front Leg Left x1
- 9** Front Leg Right x1
- 11** Back Board x1



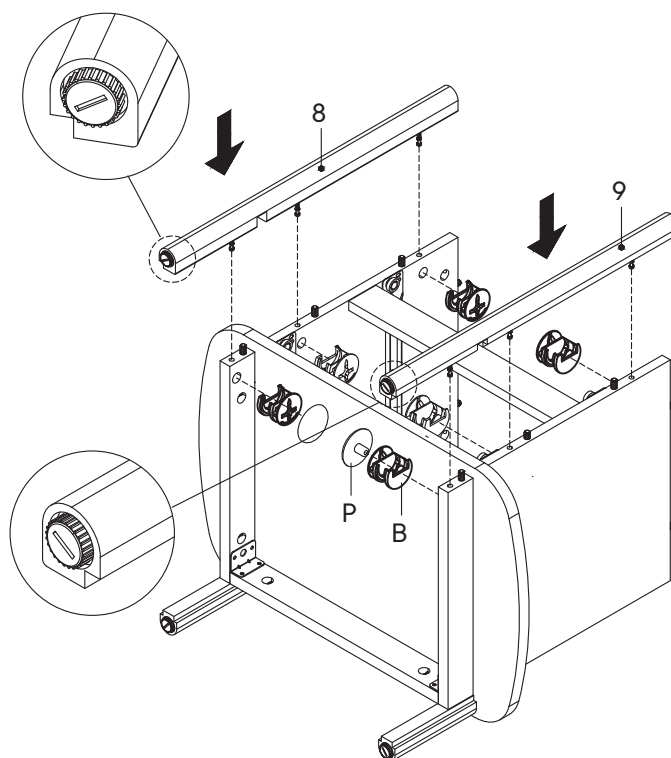
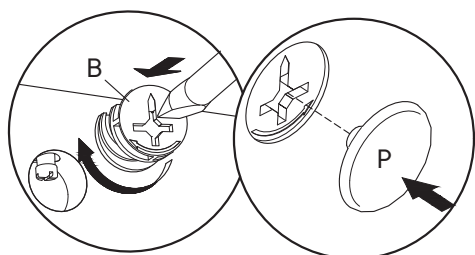
Step 15

HARDWARE

- B** Cam Lock Ø15 mm x6
- P** Screw Cap Ø15 mm x2

COMPONENTS

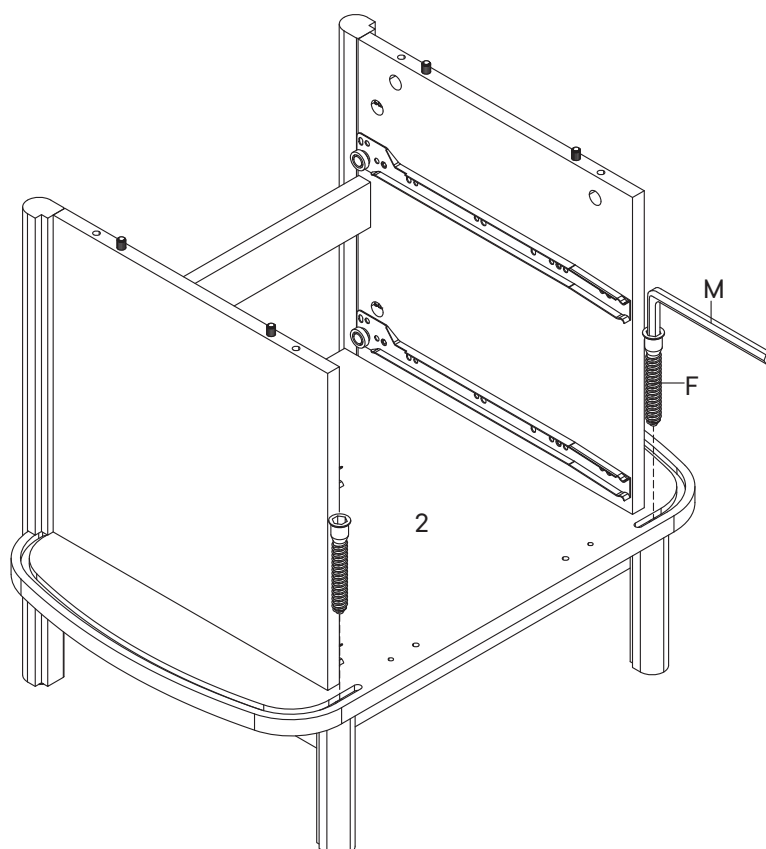
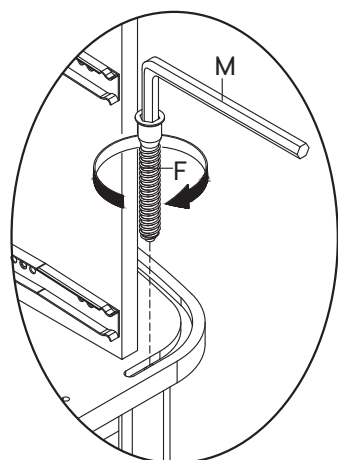
- 8** Front Leg Left x1
- 9** Front Leg Right x1



Step 16

HARDWARE

- F** Screw M 7 x 50 mm x2
- M** Allen Key x1



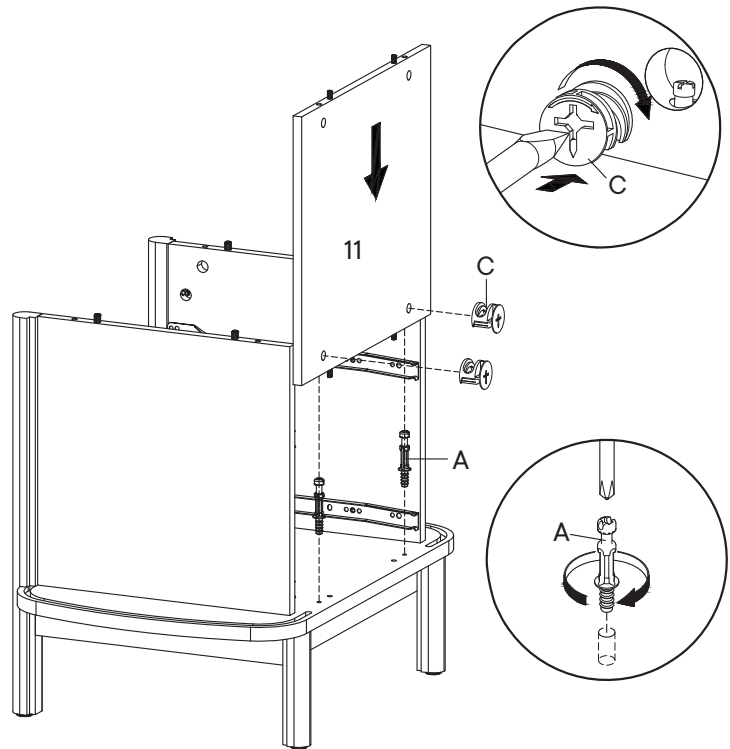
Step 17

HARDWARE

- A** Cam Bolt $\varnothing 6 \times 35$ mm x2
- C** Cam Lock $\varnothing 12$ mm x2

COMPONENTS

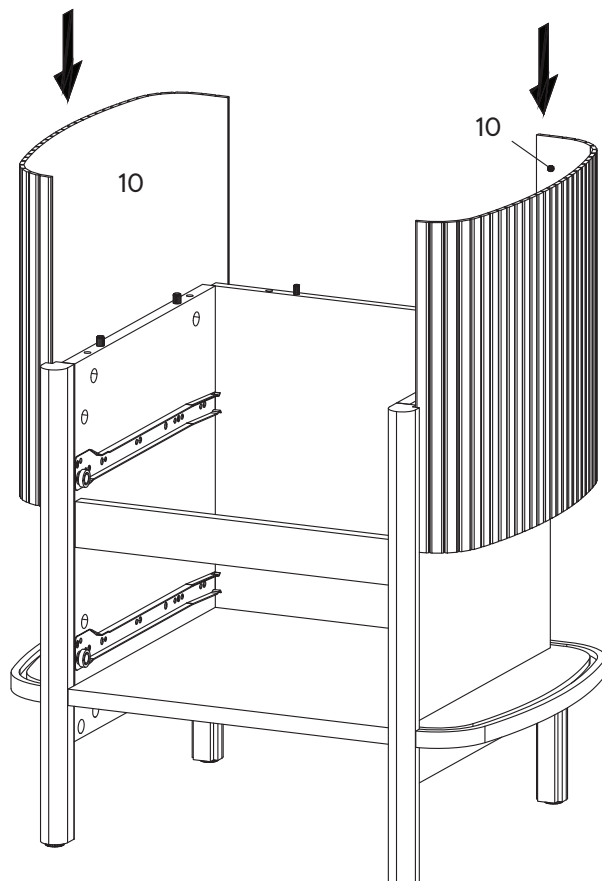
- 11** Back Board x1



Step 18

COMPONENTS

- 10** Bar Side x2



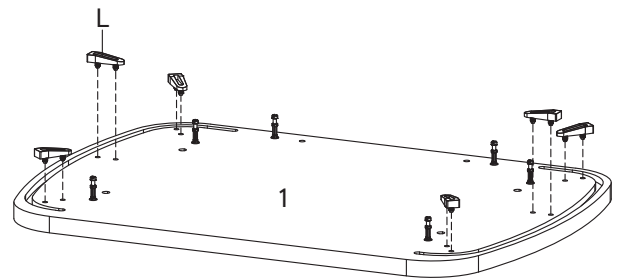
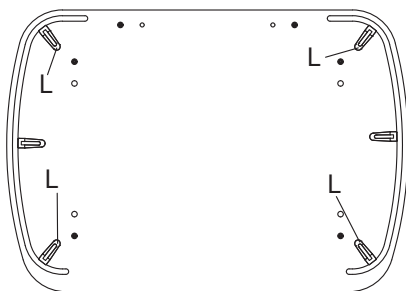
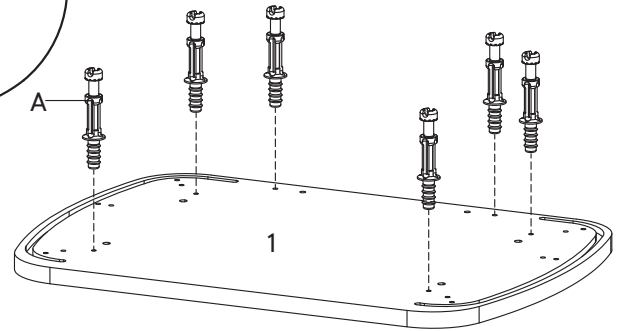
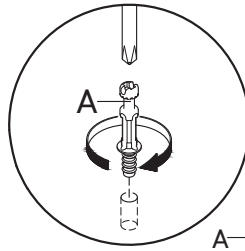
Step 19

HARDWARE

- A** Cam Bolt $\varnothing 6 \times 35$ mm x6
- L** Stopper x6

COMPONENTS

- 1** Top Board x1



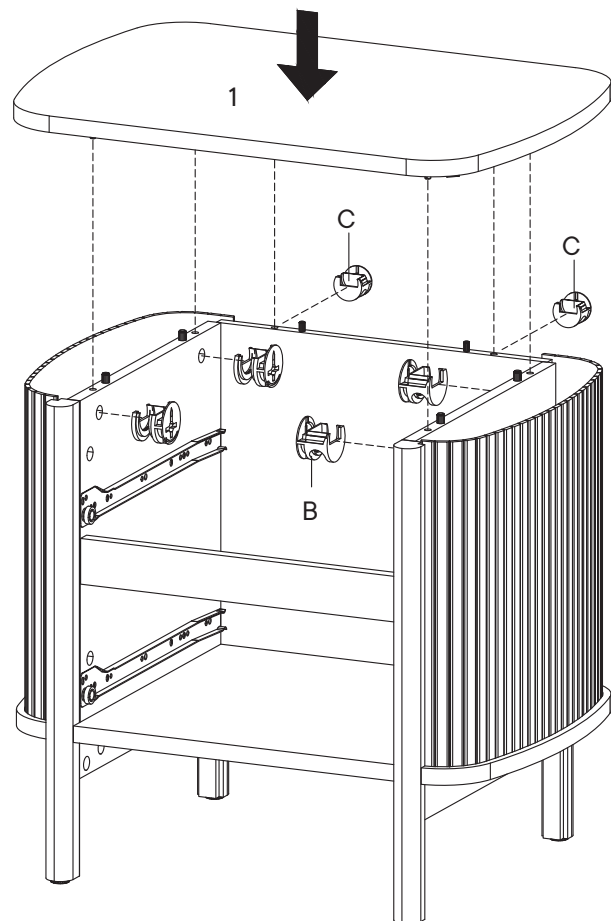
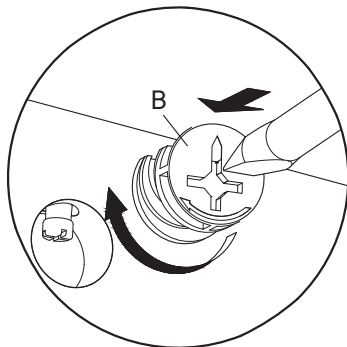
Step 20

HARDWARE

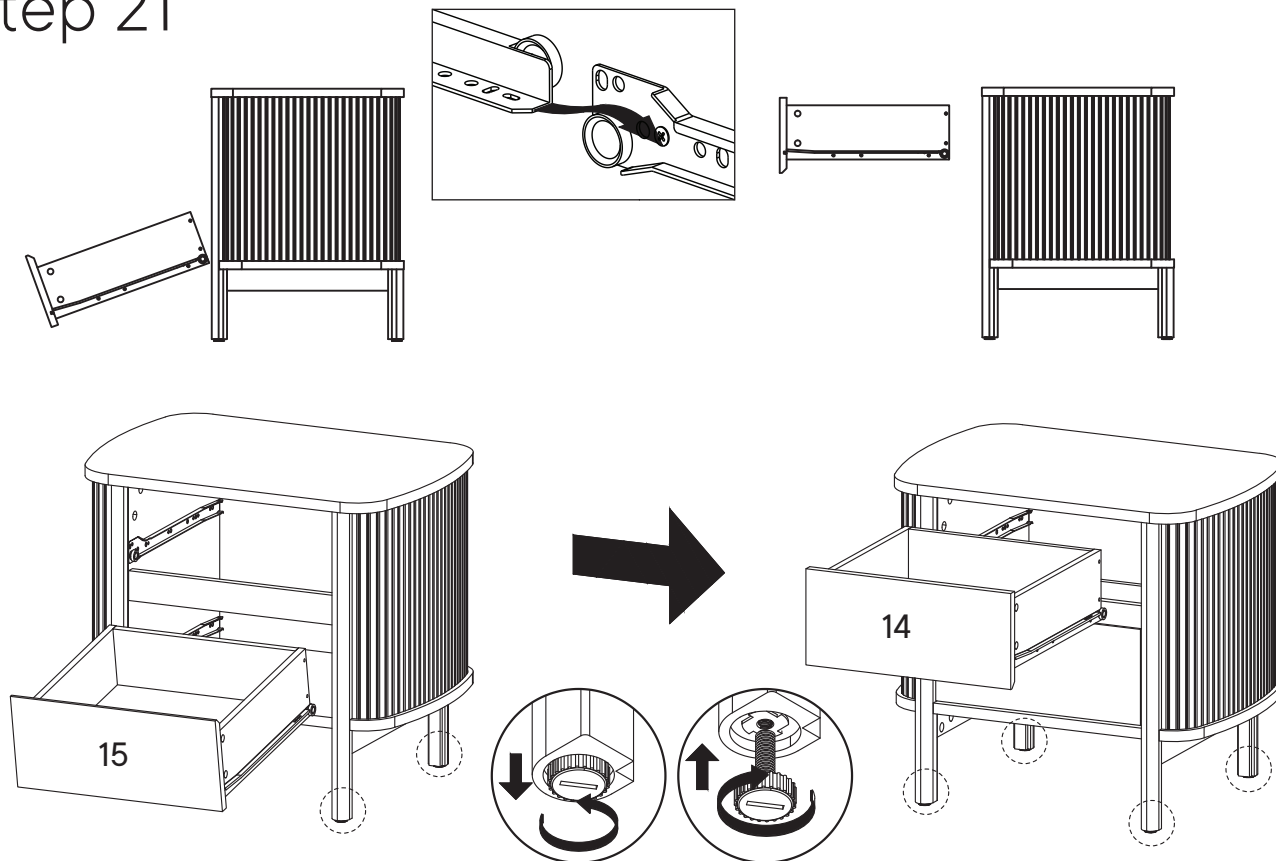
- B** Cam Lock $\varnothing 15$ mm x4
- C** Cam Lock $\varnothing 12$ mm x2

COMPONENTS

- 1** Top Board x1



Step 21



Great job!

Night Stand assembly is complete.

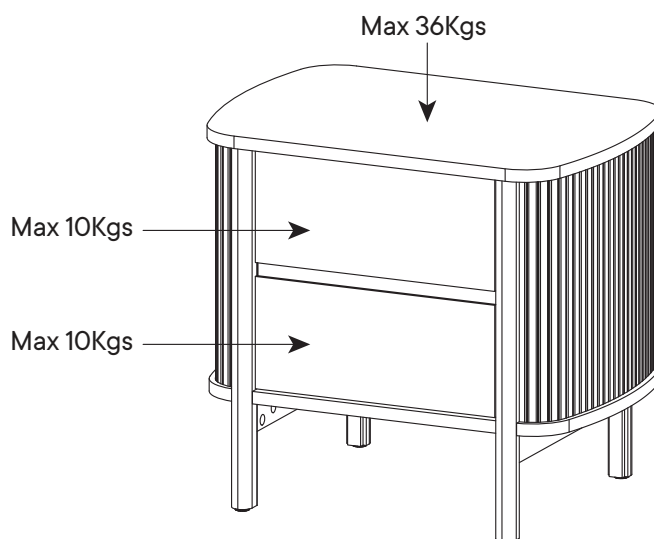
♥ CARING FOR YOUR ITEM

Indoor use only.

Not contract grade.

Clean using a non-abrasive cloth and a mild cleaner.

Never use harsh chemicals, as they could damage the finish or integrity of the item.



CONNECT WITH US!   

Tag us @modway_furniture and #modway for a chance to be featured.