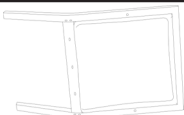
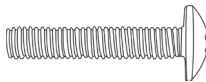

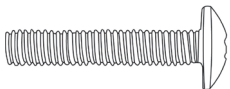

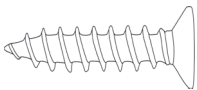


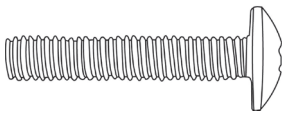

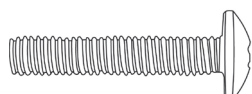
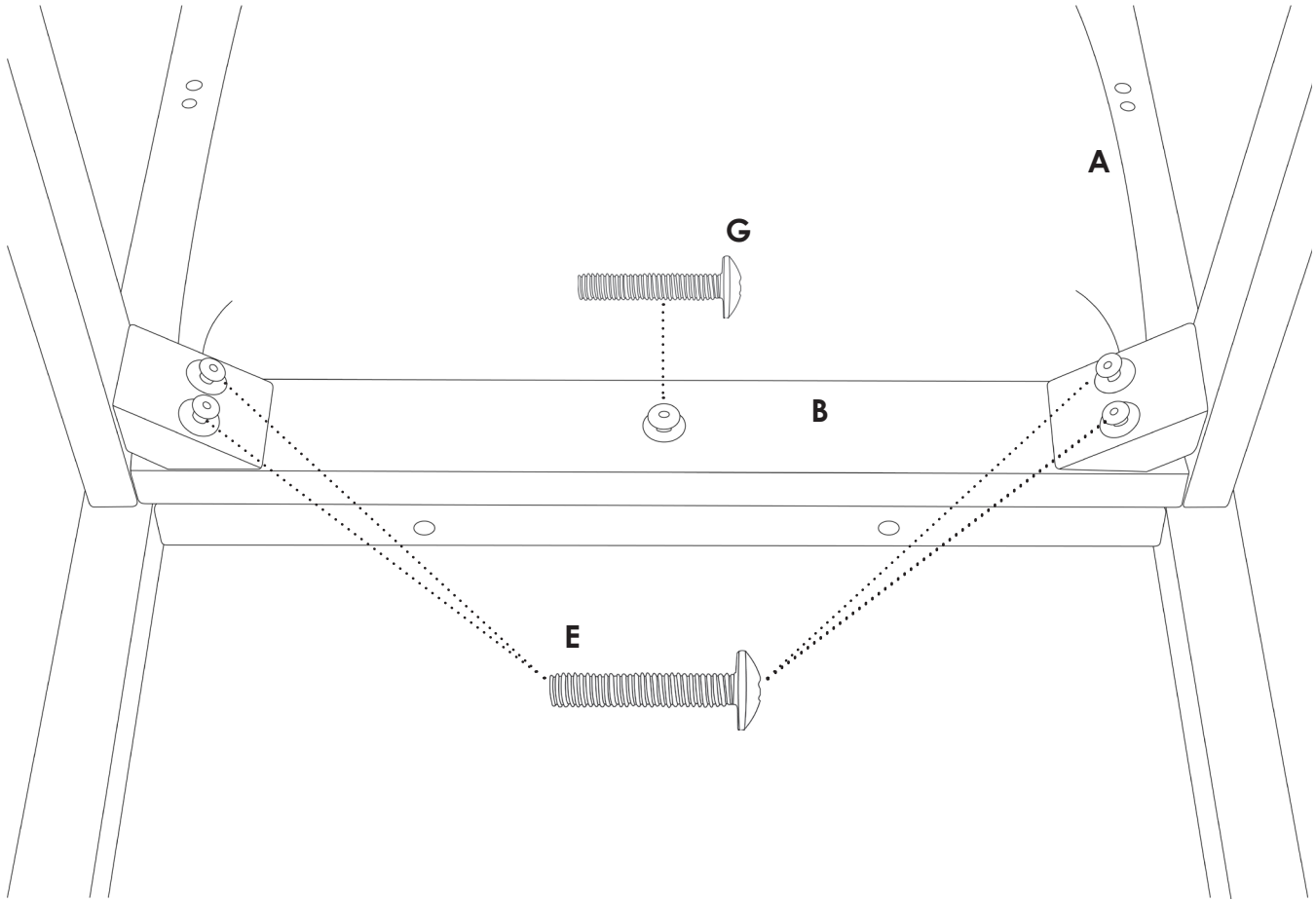


#	Part	Qty	Image	#	Part	Qty	Image
A	Back Frame	1		G	45MM Bolt w/ washers	1	
B	Seat Frame	1		H	50MM Bolt	2	
C	Seat Cushion	1		I	Wood Scew	6	
D	Leg/Arm	2		J	Wood Button	2	
E	80MM Bolt w/ washers	4		K	Allen Wrench	1	
F	60MM Bolt w/ washers	4					

Note: All but 50MM Bolt have 2 washers; one flat, one spring

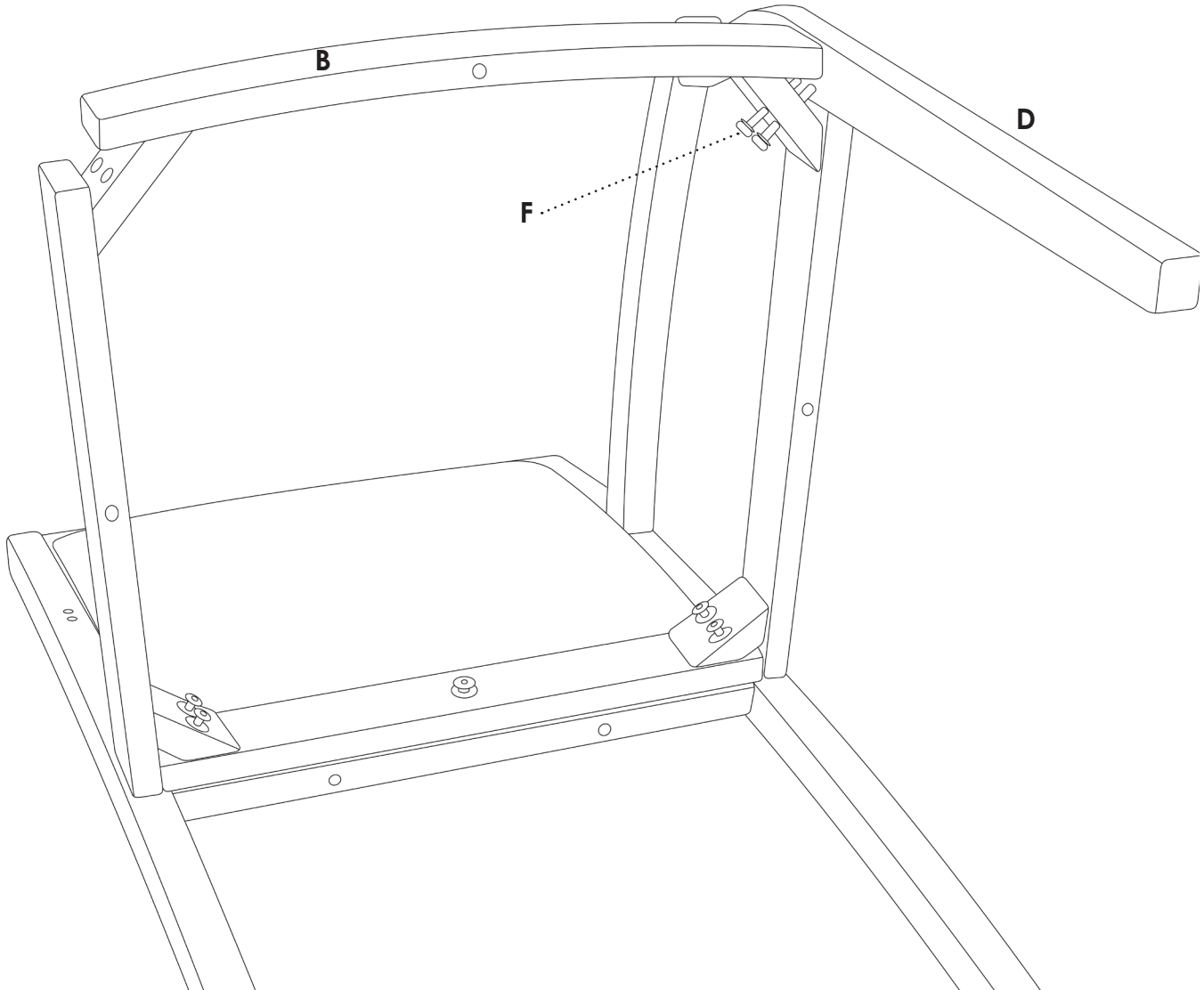


Step 1: Attach Seat Frame (B) to Back Frame (A) using one 45MM Bolt (G) and 4 80MM Bolts (E).

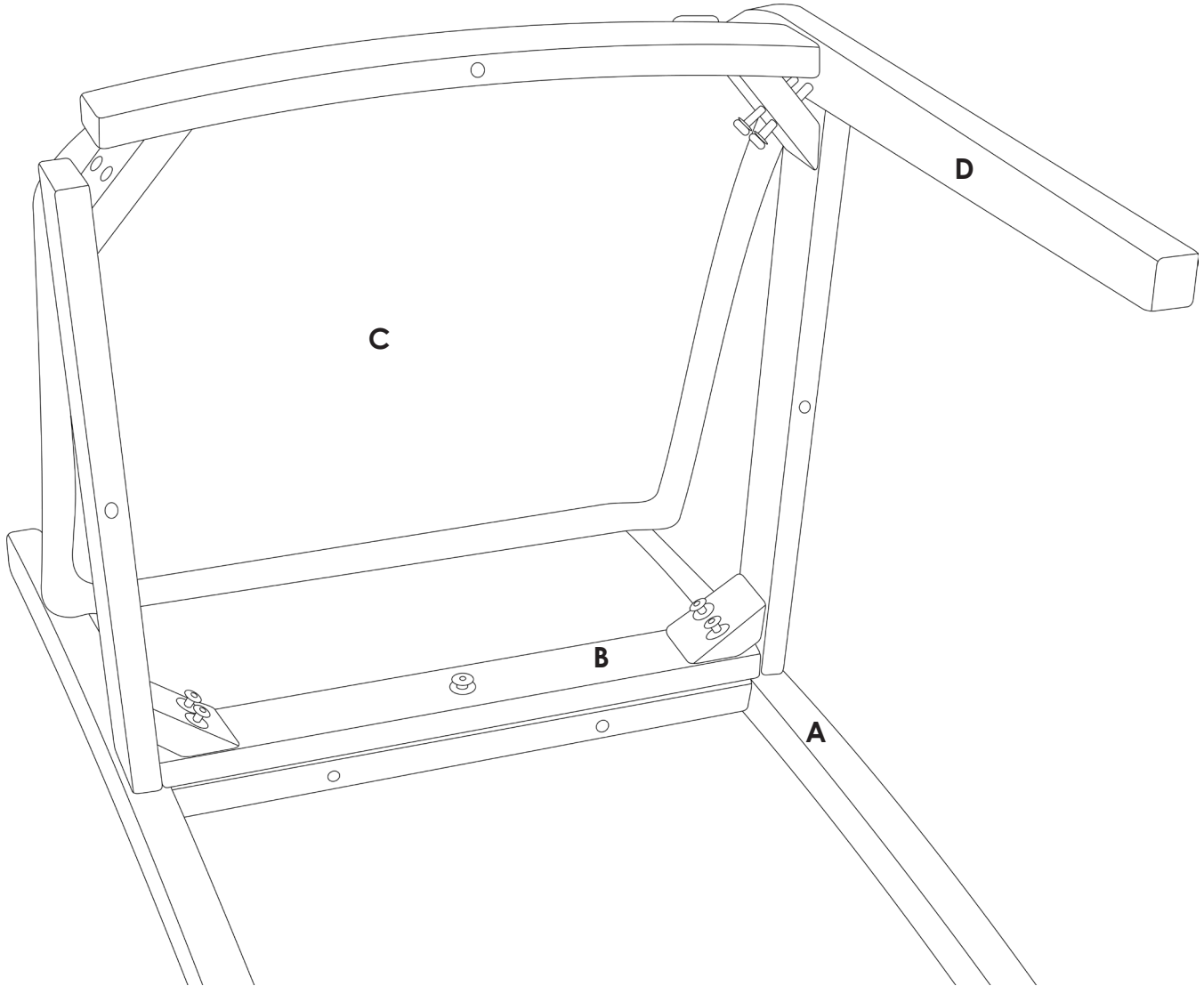


Note: Do not screw in the 45MM Bolt (G) as far in as possible or else it will push through to the other side.

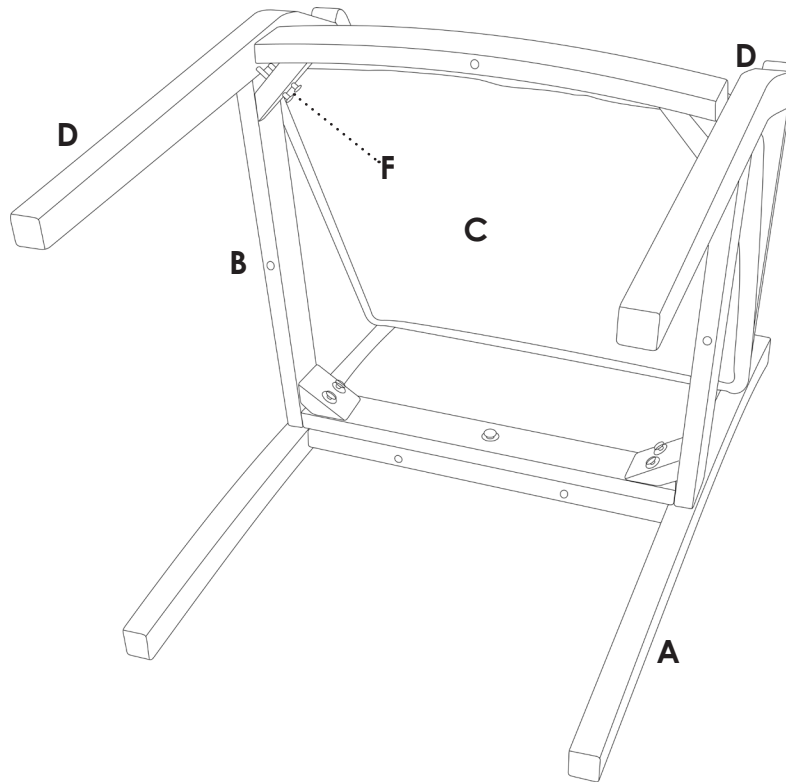
Step 2: Attach one Leg/Arm (D) to Seat Frame (B) using two 60MM Bolt (F).



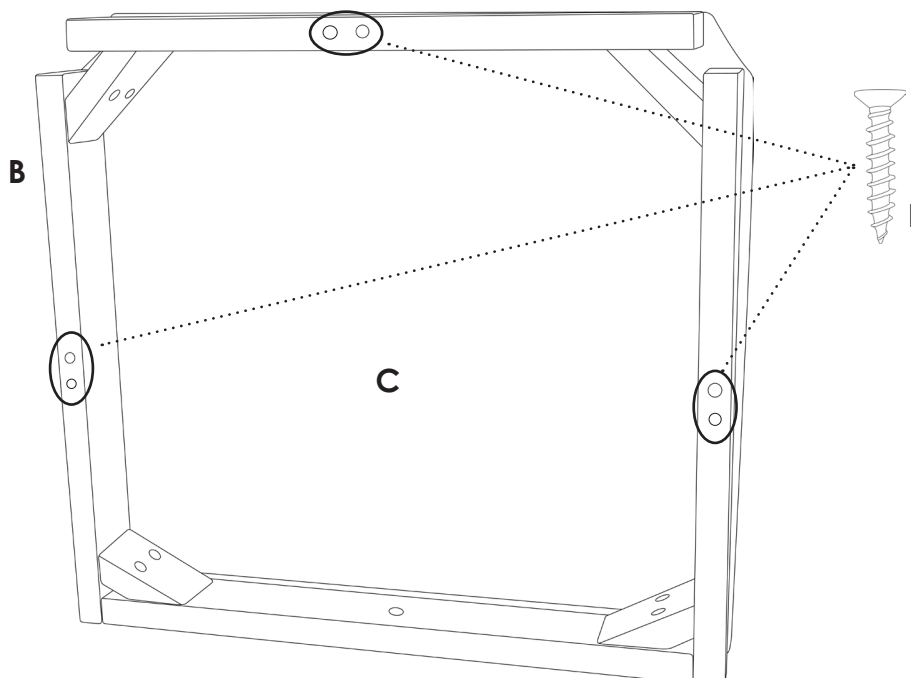
Step 3: Place Seat Cushion (C) at an angle.



Step 4a: Attach second Leg/Arm (D) to Seat Frame (B) using 2 60MM Bolts (F).

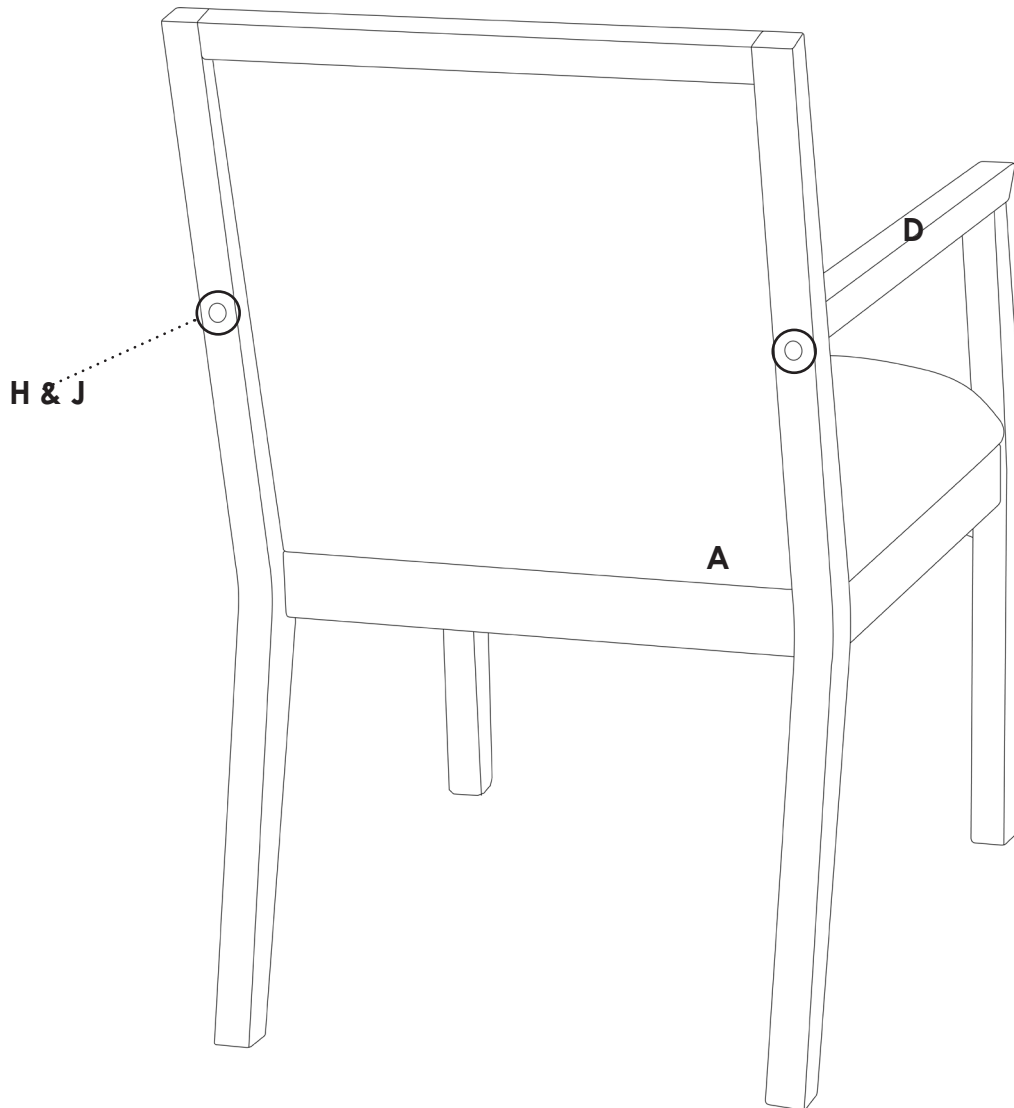


Step 4b: Using downward force, slide Seat Cushion (C) into position, then attach using 6 Wood Screws (I).



Step 5a: Secure both Leg/Arms (D) to Back Frame (A) using one 50MM Bolt (H) on each.

Note: 50MM Bolts do not include flat or spring washers.

**Step 5b: Cover same holes with Wood Buttons (J).**