

FRIGIDAIRE GALLERY

**GCRI3058AD
GCRI3058AF**

Induction Ranges

Available Colors : Black Stainless Steel, Stainless Steel

30" Freestanding Induction Range with Air Fry

Version : 03/20



Product Specifications

Dimensions: Exterior

| | |
|----------------------------|-------------------|
| Depth | 25-3/4" |
| Depth (with Door 90° Open) | 48-5/8" |
| Depth Including Handle | 29-1/4" |
| Height | 35-7/8" - 36-1/8" |
| Width | 29-7/8" |

Cooking Controls

| | |
|-----------------------|------------------------------|
| Air Fry | Yes |
| Bake | Yes |
| Broil | Broil Variable (400 - 550°F) |
| Cancel | Yes |
| Convection Bake | Yes |
| Convection Conversion | Yes |
| Convection Roast | Yes |
| Delay Bake | Yes |
| Delay Clean | Yes |
| Door Lock | Yes |
| Keep Warm | Yes |
| Lockout | Yes |
| Quick Preheat | Yes |
| Self-Clean | 2-3 Hours |
| Set Clock | Yes |
| Start Button | Yes |
| Timer | Yes |
| Control Lock | Yes |

Oven

| | |
|---------------------------|---------------------------------|
| Bake | 3500 Watts |
| Broil | 3900 Watts |
| Broil System | Vari-Broil™ High/Low |
| Oven 1 Convection System | True Convection - 900 Watts |
| Hidden Bake Element | Yes |
| Oven 1 Interior Color | Slate Blue |
| Oven 1 Interior Depth | 19-1/8" |
| Oven 1 Interior Height | 19-3/4" |
| Oven 1 Interior Width | 24-3/8" |
| Oven 1 Rack Configuration | 3 - Handle Rack |
| Oven 1 Rack Positions | 7 Positions |
| Oven 1 Type | Self Clean w/Steam Clean Option |
| Oven 1 Window | Extra-Large Visualite® |

Cooktop

| | |
|-----------------------------|---------------------------|
| Cooking Surface | Black Ceramic Glass |
| Hot-Surface Indicator Light | 1 Clear |
| Left Front | 7" Element - 2800 Watts |
| Left Rear | 7" Element - 2800 Watts |
| Right Front | 8.3" Element - 3600 Watts |
| Right Rear | 5.5" Element - 2500 Watts |

Electrical Specifications

| | |
|---------------------------------|------------------|
| Minimum Circuit Required (Amps) | 40A |
| Voltage Rating | 240V / 208V 60Hz |

Exterior

| | |
|-----------------|-----------------------------|
| Cooktop Finish | Color-Coordinated Porcelain |
| Drawer Finish | Color-Coordinated Metal |
| Exterior Finish | Painted |

Drawer

| | |
|----------------------|---------|
| Drawer Functionality | Storage |
|----------------------|---------|

General Specifications

| | |
|--------------------------|--------------|
| Adjustable Leveling Legs | 4 Adjustable |
| Prop 65 Label | Yes |

Capacities

| | |
|-----------------|-----|
| Oven 1 Capacity | 5.4 |
| Total Capacity | 5.4 |

Note: For planning purposes only. Always consult local and national electric, gas and plumbing codes. Refer to Product Installation Guide for detailed installation instructions on the web at frigidaire.com/frigidaire.ca.

Specifications subject to change. Accessories: Information available on the web at frigidaire.com/frigidaire.ca

FRIGIDAIRE

USA • 10200 David Taylor Drive • Charlotte, NC 28262 • 1-800-FRIGIDAIRE • frigidaire.com
CANADA • 5855 Terry Fox Way • Mississauga, ON L5V 3E4 • 1-800-265-8352 • frigidaire.ca

FRIGIDAIRE GALLERY

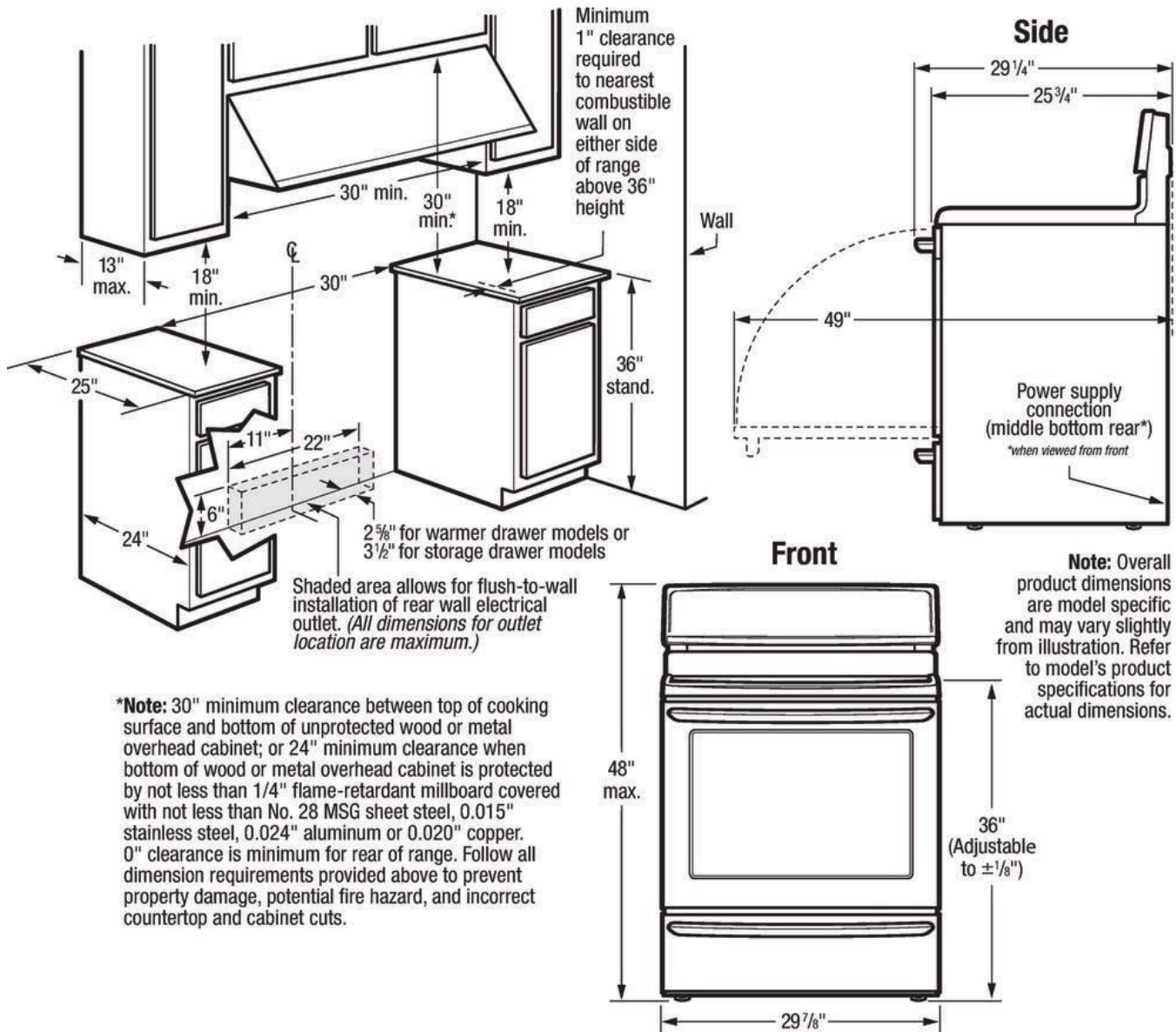
GCRI3058AD
GCRI3058AF

Available Colors : Black Stainless Steel, Stainless Steel

30" Freestanding Induction Range with Air Fry

Version : 03/20

Installation Drawing



***Note:** 30" minimum clearance between top of cooking surface and bottom of unprotected wood or metal overhead cabinet; or 24" minimum clearance when bottom of wood or metal overhead cabinet is protected by not less than 1/4" flame-retardant millboard covered with not less than No. 28 MSG sheet steel, 0.015" stainless steel, 0.024" aluminum or 0.020" copper. 0" clearance is minimum for rear of range. Follow all dimension requirements provided above to prevent property damage, potential fire hazard, and incorrect countertop and cabinet cuts.

Note: For planning purposes only. Always consult local and national electric, gas and plumbing codes. Refer to Product Installation Guide for detailed installation instructions on the web at frigidaire.com/frigidaire.ca. Specifications subject to change. Accessories information available on the web at frigidaire.com/frigidaire.ca

FRIGIDAIRE

USA • 10200 David Taylor Drive • Charlotte, NC 28262 • 1-800-FRIGIDAIRE • frigidaire.com
CANADA • 5855 Terry Fox Way • Mississauga, ON L5V 3E4 • 1-800-265-8352 • frigidaire.ca