

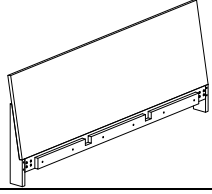
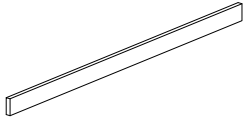
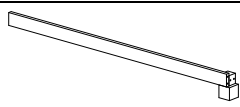
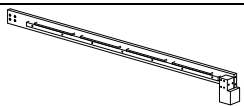
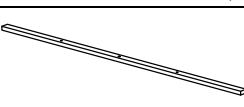

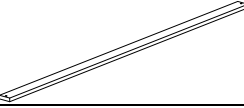
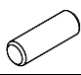


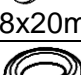


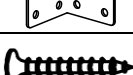
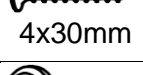

CARE AND MAINTENANCE

Spot clean using a mild water-free solvent. Only a professional cleaner should undertake a complete overall cleaning.
The use of steam or water-based cleaners may cause excessive shrinking or staining.

NOTICE

- * Please make sure that you have all parts indicated before you begin assembly of this item
- * This item should be assembled on a soft surface to prevent scratching the finish during assembly
- * This item may require periodic tightening

Part List and Hardware List

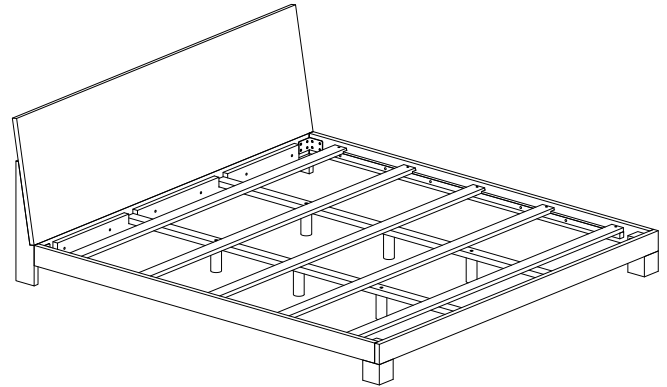
PIECE	DESCRIPTION	PICTURE	QUANTITY
A	HEADBOARD		1X
B	FOOTBOARD		1X
C	SIDE RAILS (LEFT)		1X
D	SIDE RAILS (RIGHT)		1X
E	CENTRE SUPPORT RAIL		2X
F	CENTRE LEGS		6X
G	SLATS		5X
HW1	WOODEN DOWEL		14X
HW2	BIG CROSS BOLT	 M8x60mm	4X
HW3	SMALL CROSS BOLT	 M8x20mm	16X
HW4	SPRING WASHER		16X
HW5	FLAT WASHER		16X
HW6	SPANNER		1X
HW7	SCREW	 4x30mm	10X
HW8	MEDIUM CROSS BOLT	 M6x40mm	6X
HW9	ALLEN KEY		1X

SAFAVIEH

C O U T U R E

Model #: SFV4114-K

Product Dimensions: 87 2/5"W x 79 1/6" D x 33 6/7"H



Weight capacity: 400lbs

Warning: DO NOT STAND ON TABLE

Warning: DO NOT OVER TORQUE BOLTS

PREPARETION

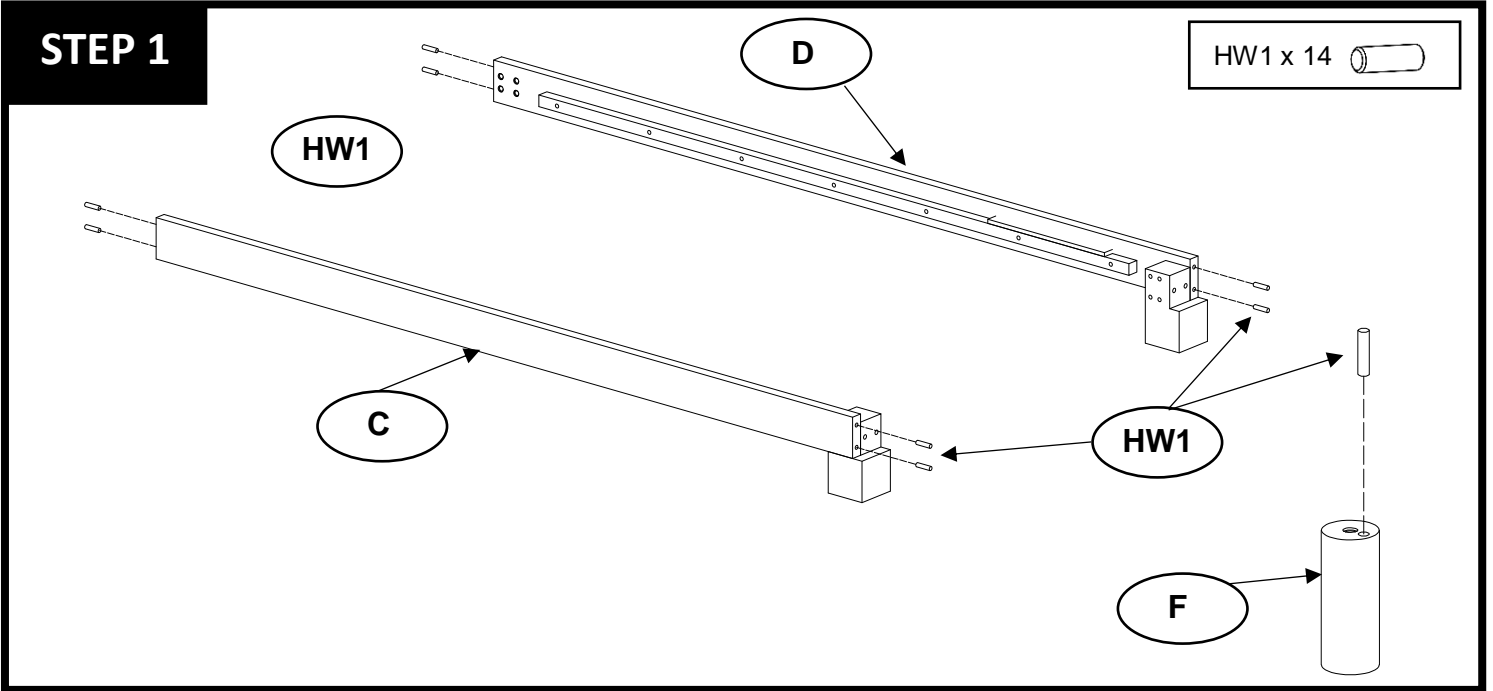
Before beginning assembly of product, make sure all parts are present. Compare parts with package contents list and hardware contents list.

If any part is missing or damaged, do not attempt to assemble the product.

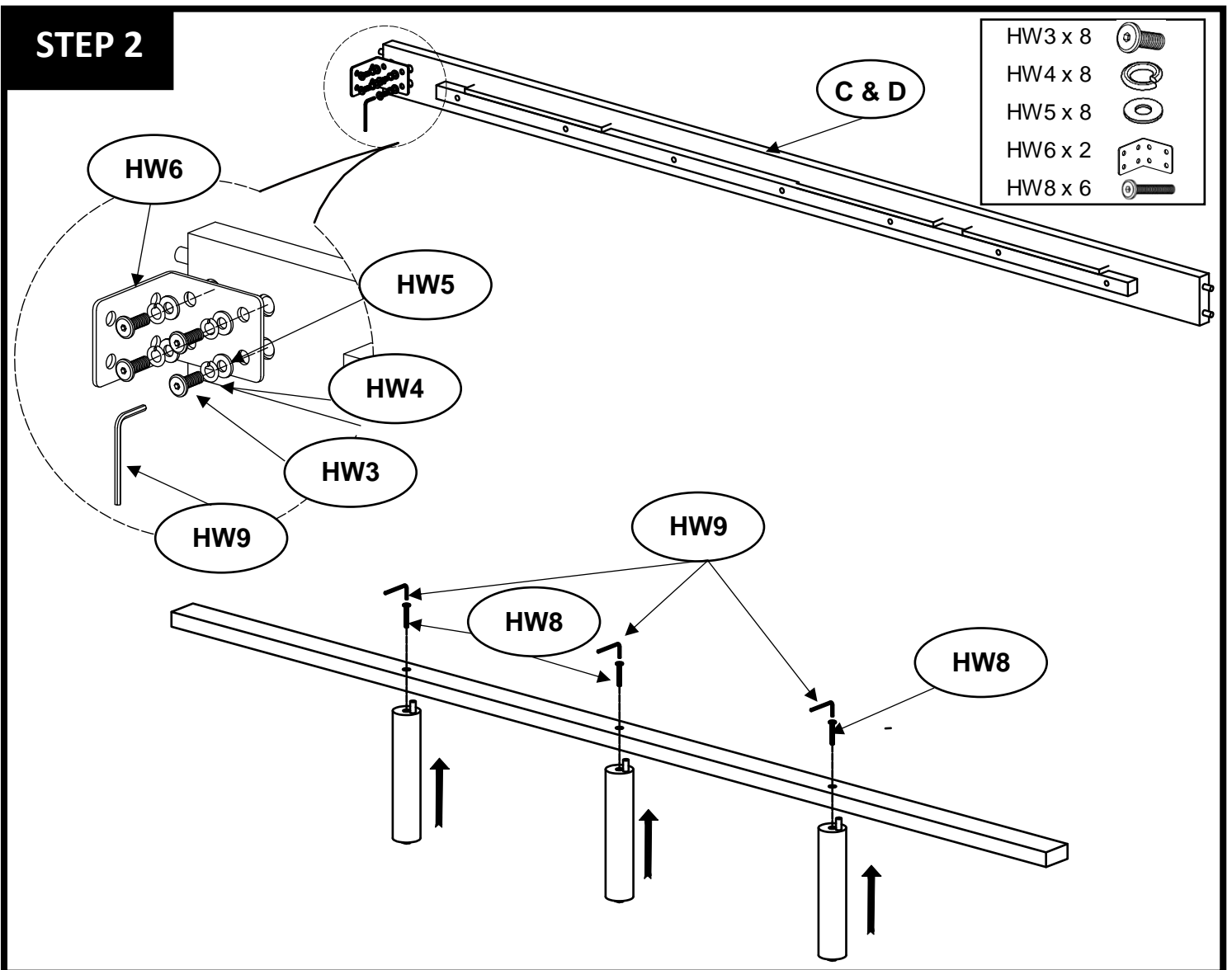
Estimated Assembly Time: 10 minutes

Tools Required for Assembly (Not included): Phillips Screwdriver




STEP 1

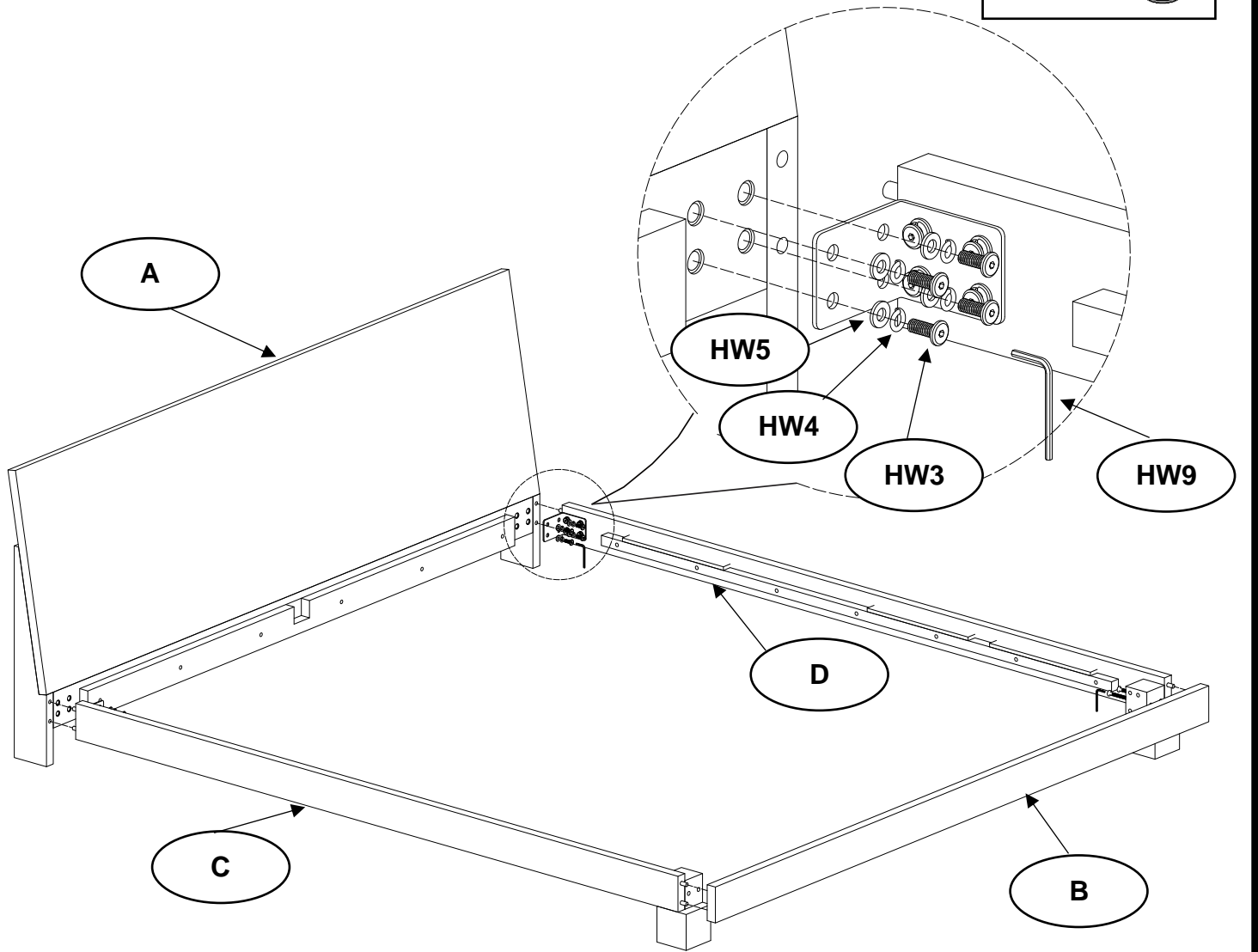


STEP 2

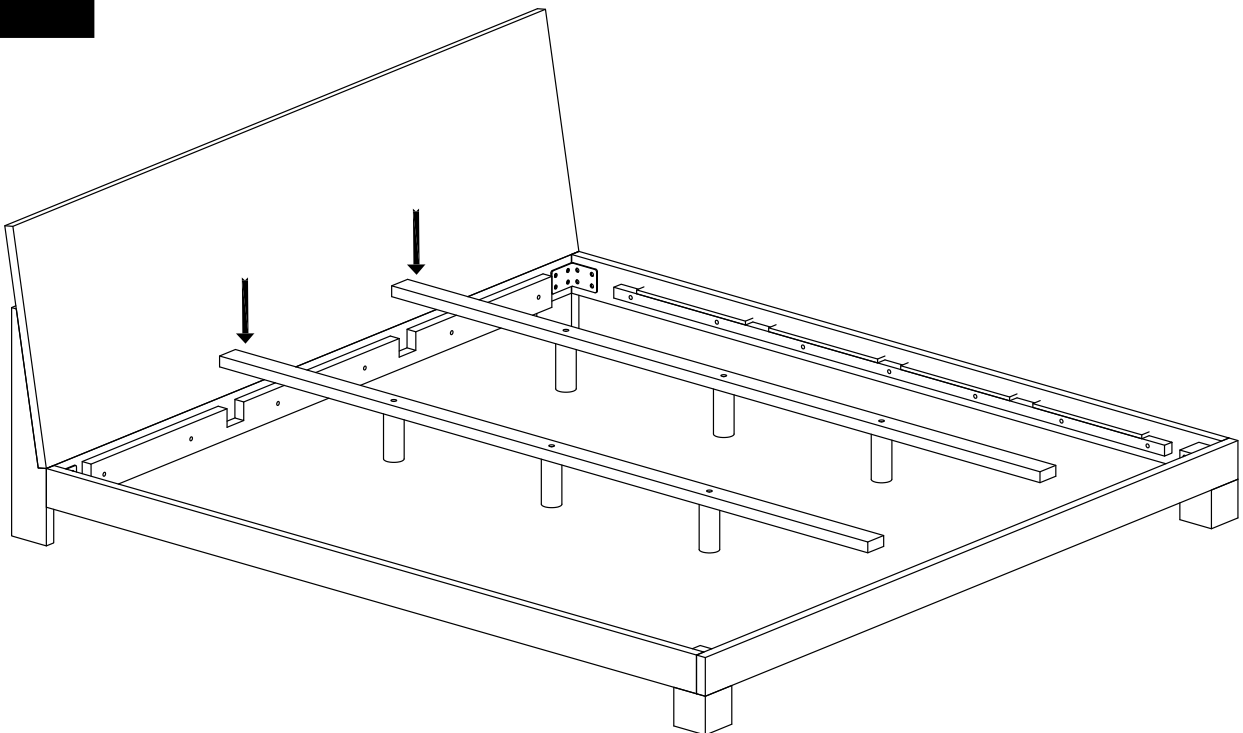


STEP 3

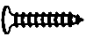
HW3 x 8	
HW4 x 8	
HW5 x 8	

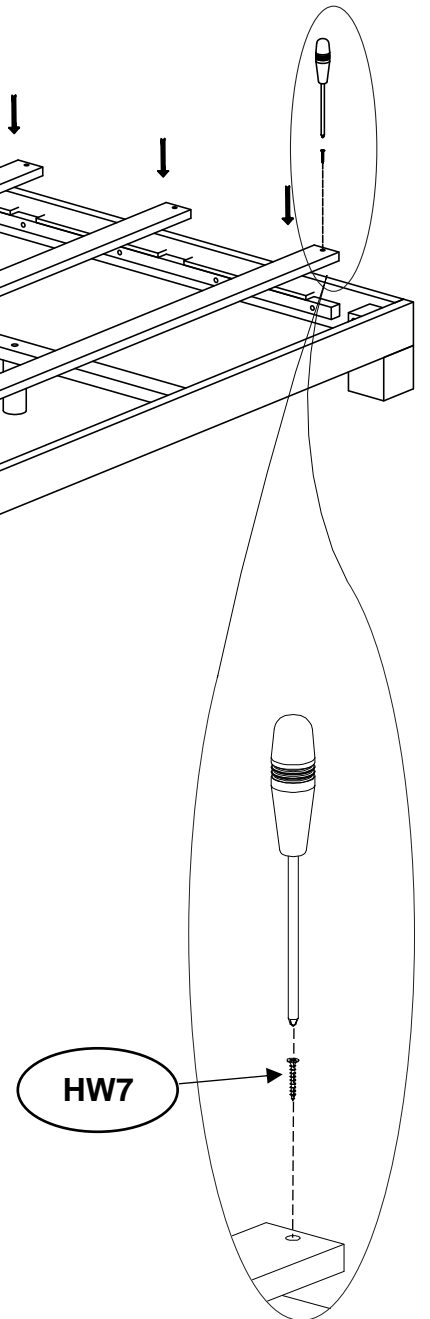
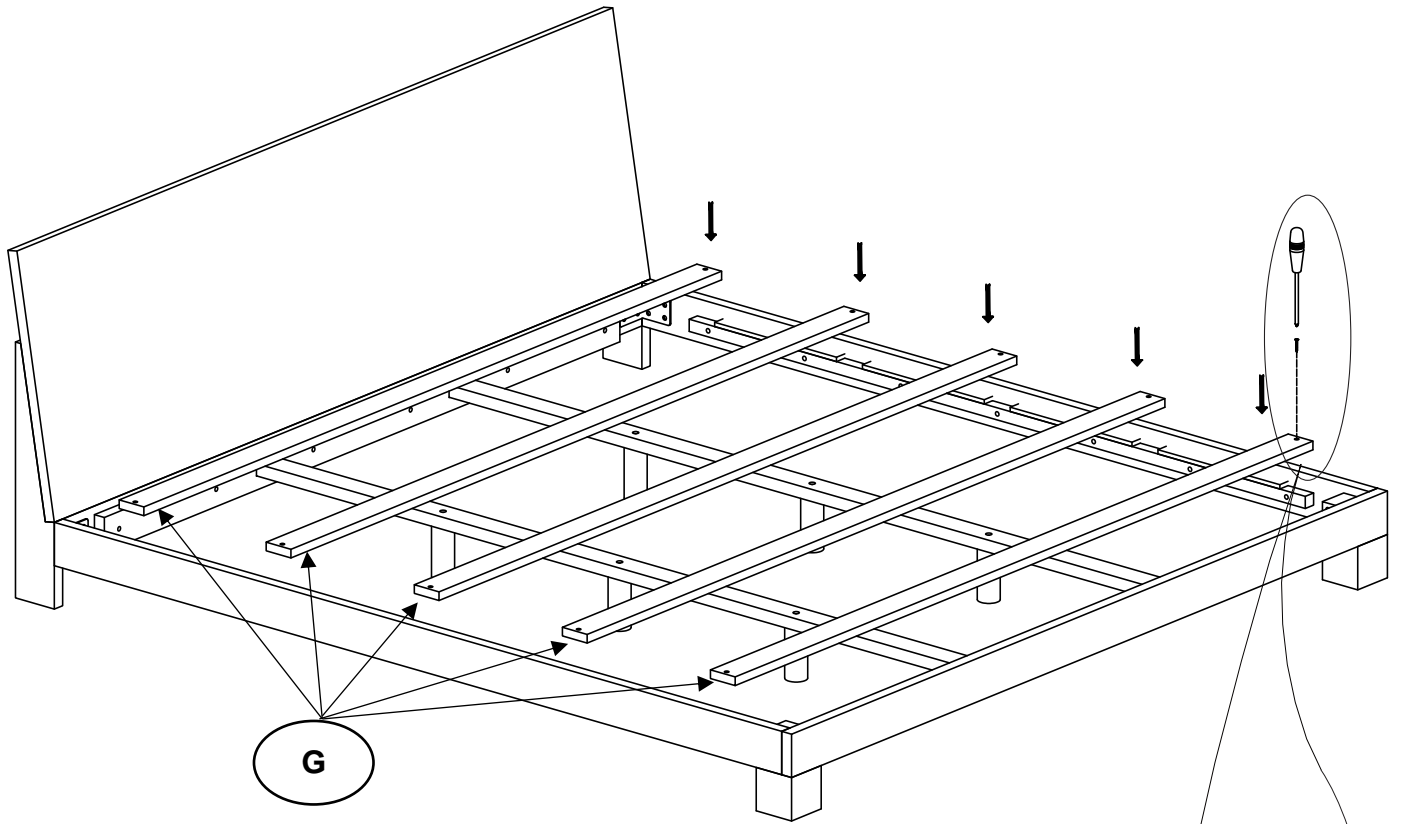


STEP 4



STEP 5

HW7 x 10 



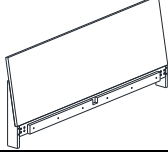
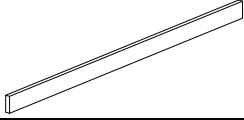
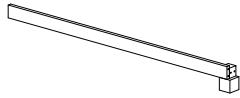

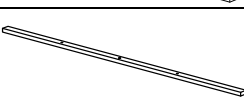

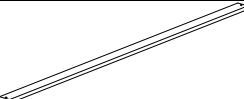
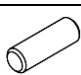
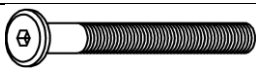

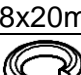





CARE AND MAINTENANCE

Spot clean using a mild water-free solvent. Only a professional cleaner should undertake a complete overall cleaning.
The use of steam or water-based cleaners may cause excessive shrinking or staining.

NOTICE

- * Please make sure that you have all parts indicated before you begin assembly of this item
- * This item should be assembled on a soft surface to prevent scratching the finish during assembly
- * This item may require periodic tightening

Part List and Hardware List

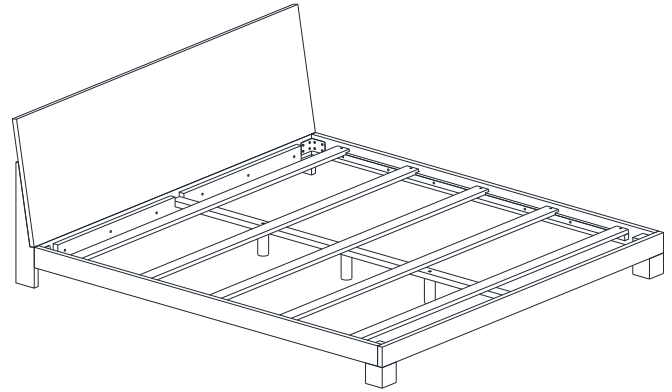
PIECE	DESCRIPTION	PICTURE	QUANTITY
A	HEADBOARD		1X
B	FOOTBOARD		1X
C	SIDE RAILS (LEFT)		1X
D	SIDE RAILS (RIGHT)		1X
E	CENTRE SUPPORT RAIL		2X
F	CENTRE LEGS		6X
G	SLATS		5X
HW1	WOODEN DOWEL		11X
HW2	BIG CROSS BOLT	 M8x60mm	4X
HW3	SMALL CROSS BOLT	 M8x20mm	16X
HW4	SPRING WASHER		16X
HW5	FLAT WASHER		16X
HW6	SPANNER		1X
HW7	SCREW	 4x30mm	10X
HW8	MEDIUM CROSS BOLT	 M6x40mm	3X
HW9	ALLEN KEY		1X

SAFAVIEH

C O U T U R E

Model #: SFV4114-Q

Product Dimensions: 87 2/5"W x 63 2/9" D x 33 6/7"H



Weight capacity: 400lbs
Warning: DO NOT STAND ON TABLE
Warning: DO NOT OVER TORQUE BOLTS

PREPARATION

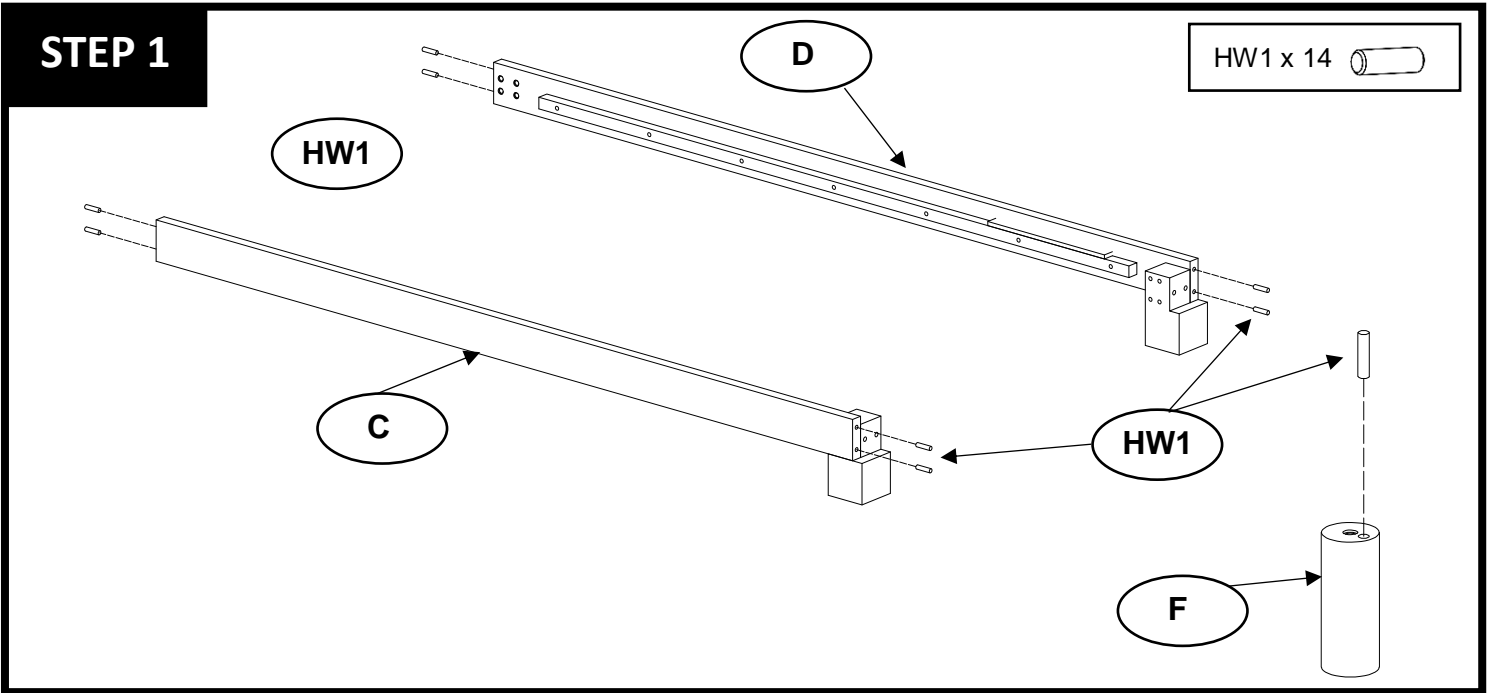
Before beginning assembly of product, make sure all parts are present. Compare parts with package contents list and hardware contents list.

If any part is missing or damaged, do not attempt to assemble the product.

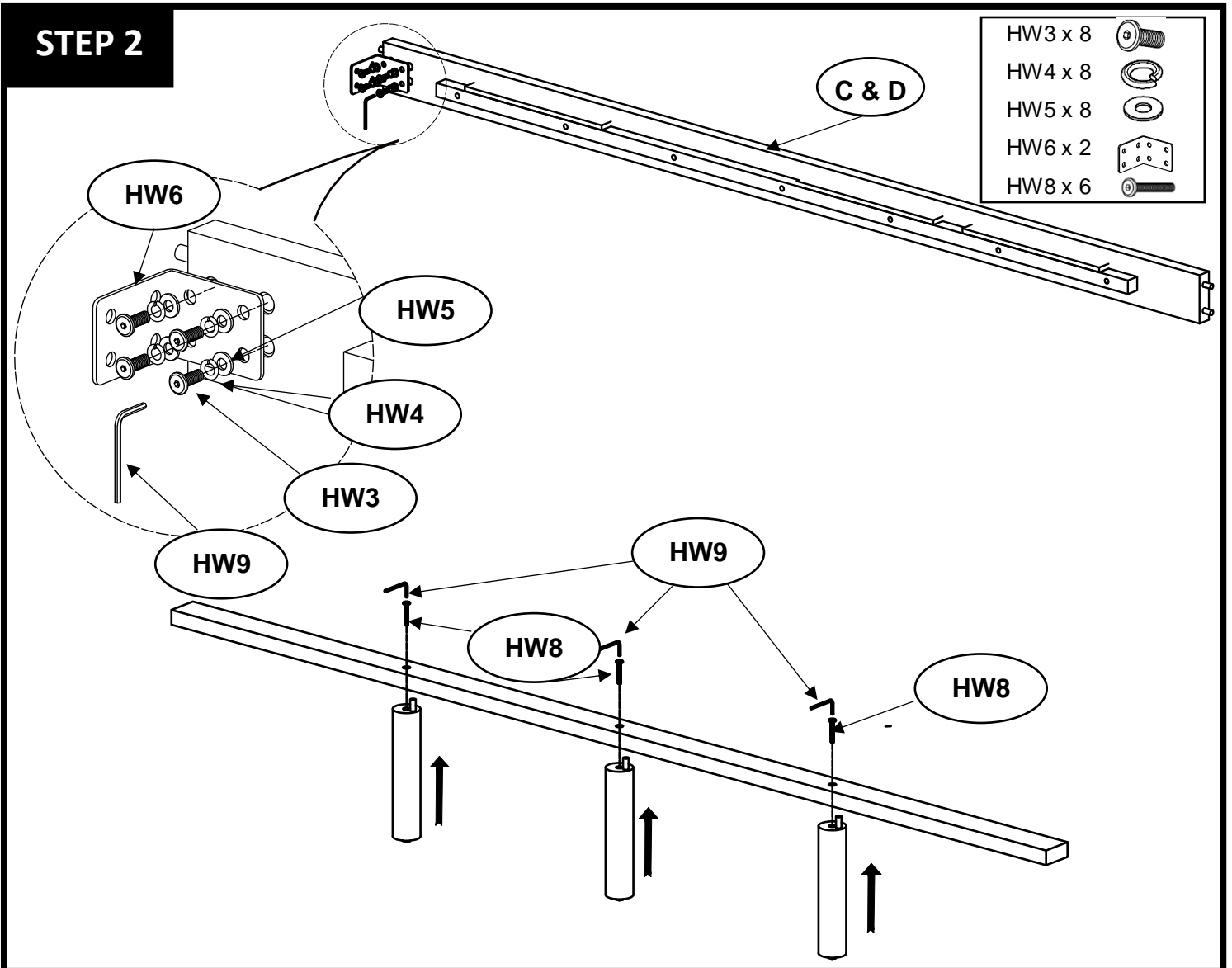
Estimated Assembly Time: 10 minutes

Tools Required for Assembly (Not included): Phillips Screwdriver

STEP 1



STEP 2



STEP 3

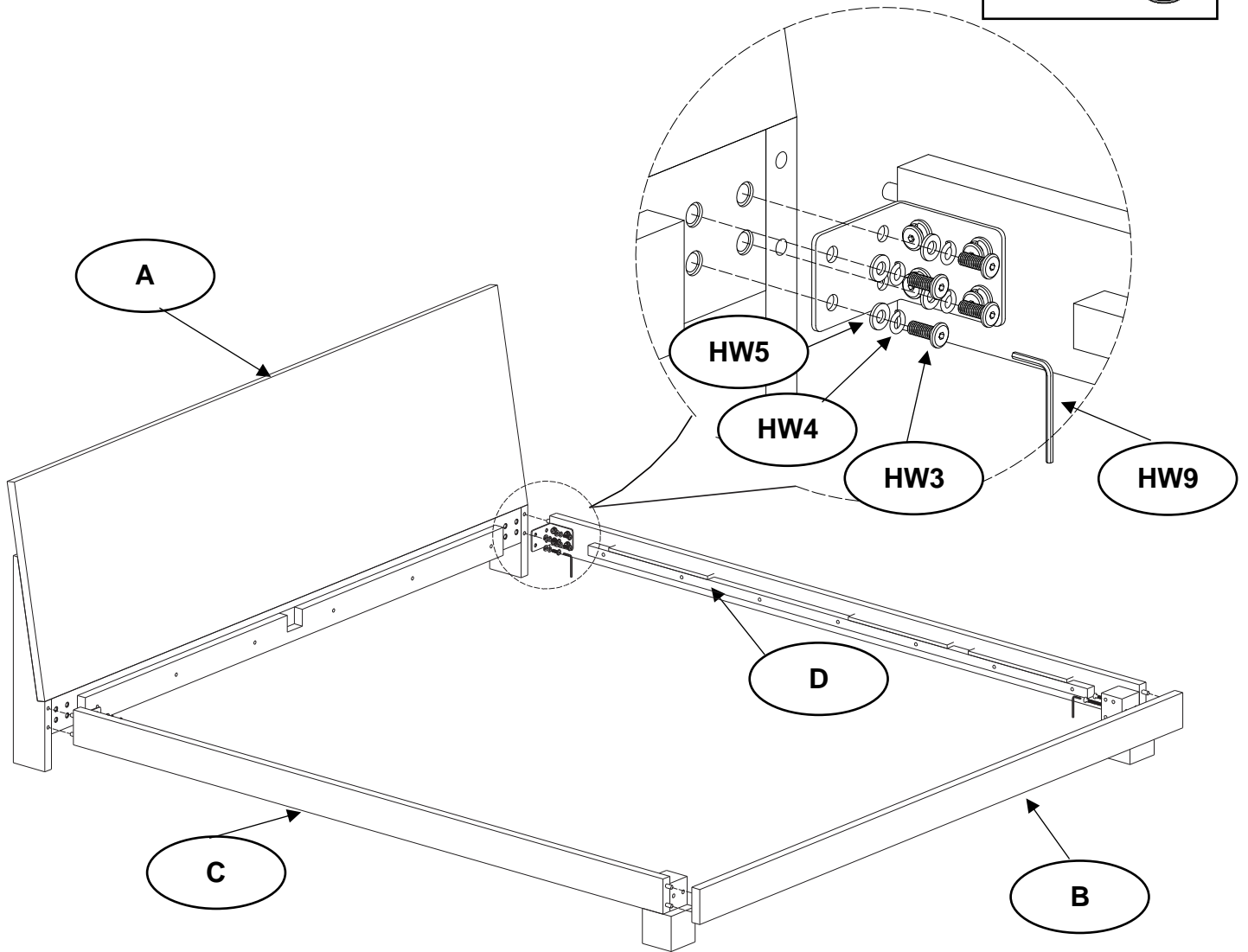
HW3 x 8



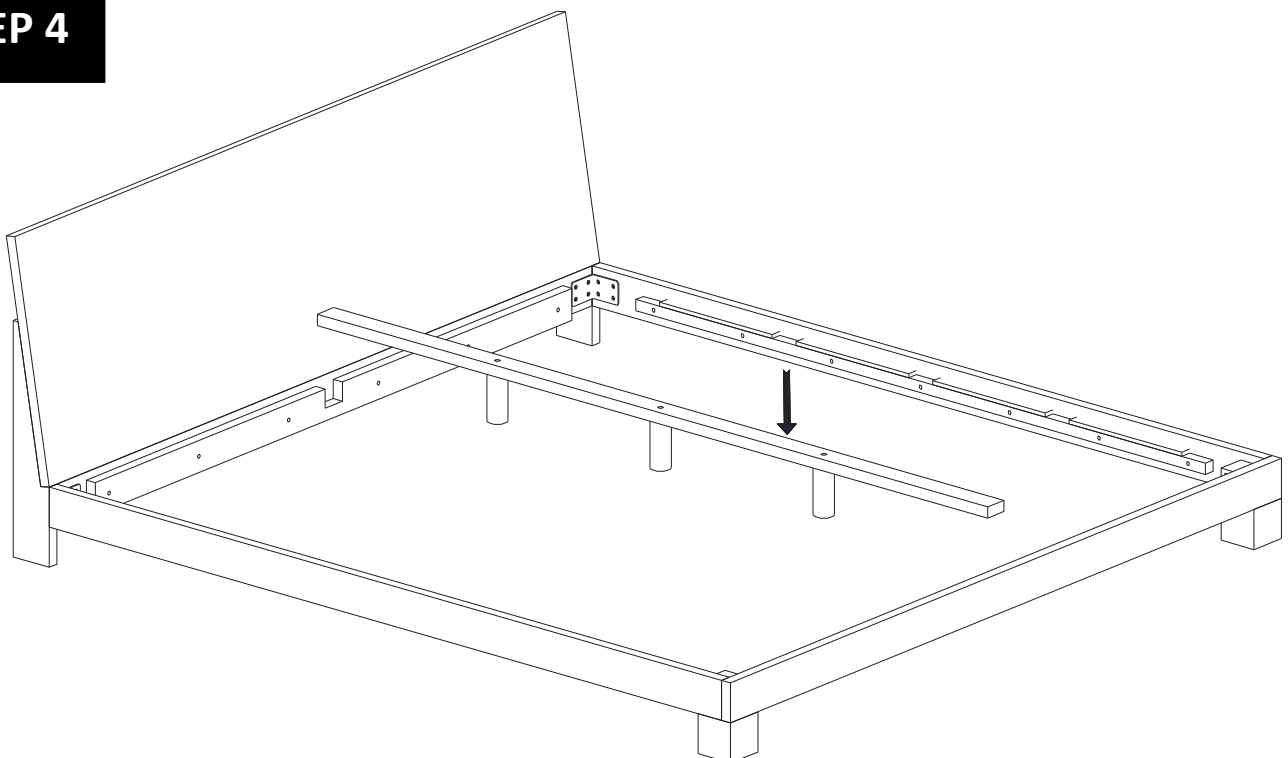
HW4 x 8



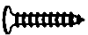
HW5 x 8

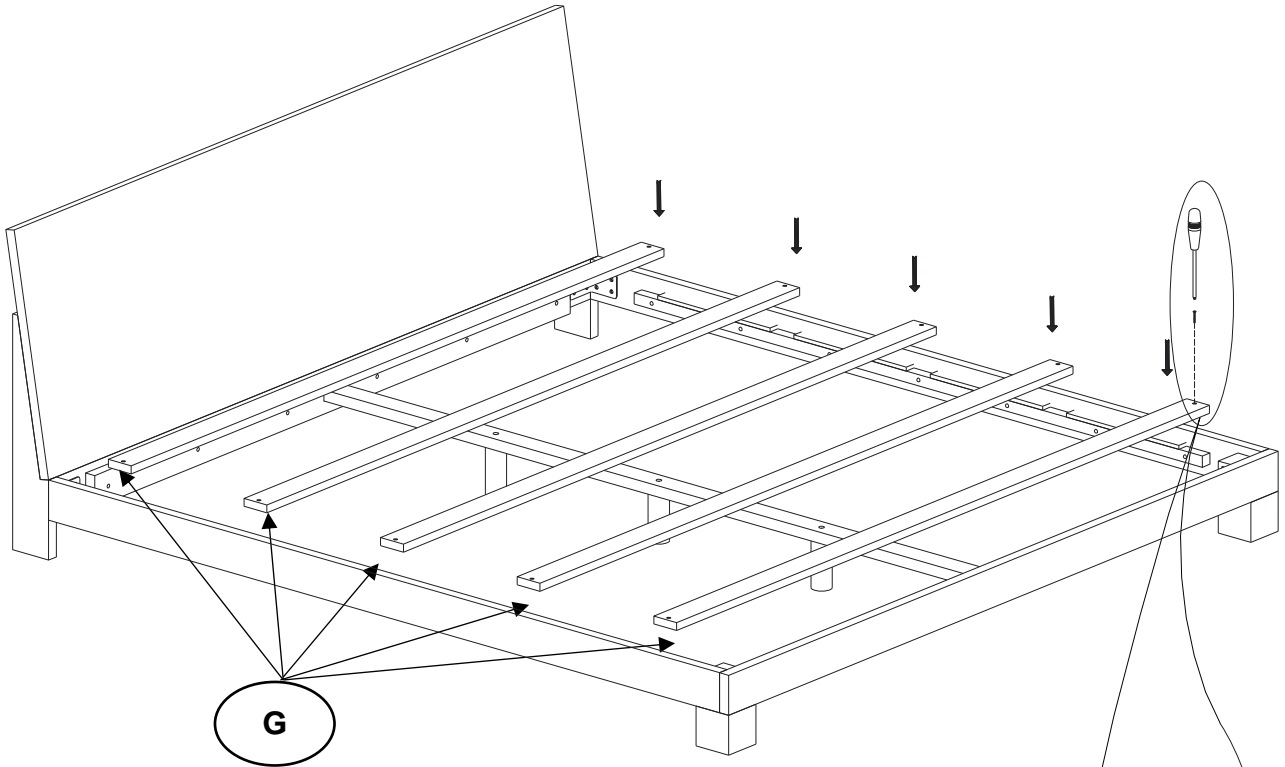


STEP 4



STEP 5

HW7 x 10 



G

HW7

