

NZ30K7570RS

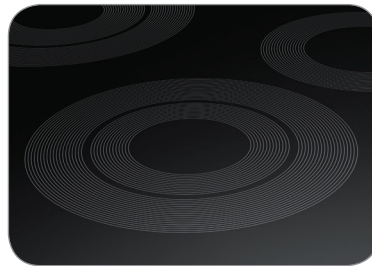
30" Electric Cooktop

Features

- Bluetooth Connected to Hood
- WiFi Connectivity
- Flexible Cooktop:
 - Rapid Boil™ Burner (3.3 kW)
 - Two Dual Burners (9"/6" and 8"/5")
 - Two Sync Control Burners (7")
- 15 Heat Settings
- Simmer Control
- Melt Mode
- 9.5 kW Total Power

Convenience

- Kitchen Timer
- Hot Surface Indicator Light
- Child Safety Lock
- Dishwasher Safe Magnetic Knob



Rapid Boil™



Removable Magnetic Knob

Available Colors



Stainless Steel (shown)



Black Stainless Steel

Signature Features

RAPID BOIL™

- Up to 3.3 kW power burner offers intense heat and precise control to quickly boil water or maintain a low even simmer.

DIGITAL-ANALOG CONTROLS

- The ultimate interface, choose between a removable magnetic analog-knob or digital touch controls.

SYNC BURNERS

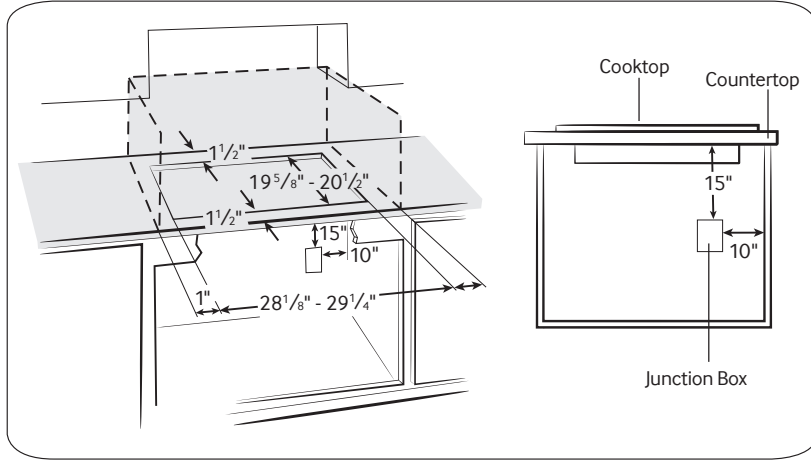
- Control two burners at the same time when using a large pot or griddle across two elements.

NZ30K7570RS

30" Electric Cooktop

Installing Your Cooktop

Can be installed over a single oven.



Total Power

9.5 kW

Power Source

240 V/60 Hz/45 Amps

Electric Cooktop

- Left Front: 7", 1.5 kW (Sync)
- Left Rear: 7", 1.5 kW (Sync)
- Right Front: 8"/5", 2 kW
- Right Rear: 6", 1.2 kW (Melt)
- Center: 9"/6" 3.3 kW (Rapid Boil™)

Warranty

One (1) Year All Parts and Labor

Product Dimensions & Weight (WxHxD)

Outside (Max) Cooktop Dimensions:

30" x 5 1/16" x 21 1/4"

Cooktop Cut-Out Dimensions:

28 1/2" x 5 1/16" x 19 5/8"

Weight: 35.7 lbs.

Shipping Dimensions & Weight (WxHxD)

Dimensions:

34 3/16" x 8 1/2" x 25 1/16"

Weight: 48.8 lbs.

Color

Stainless Steel

Model

NZ30K7570RS

UPC Code

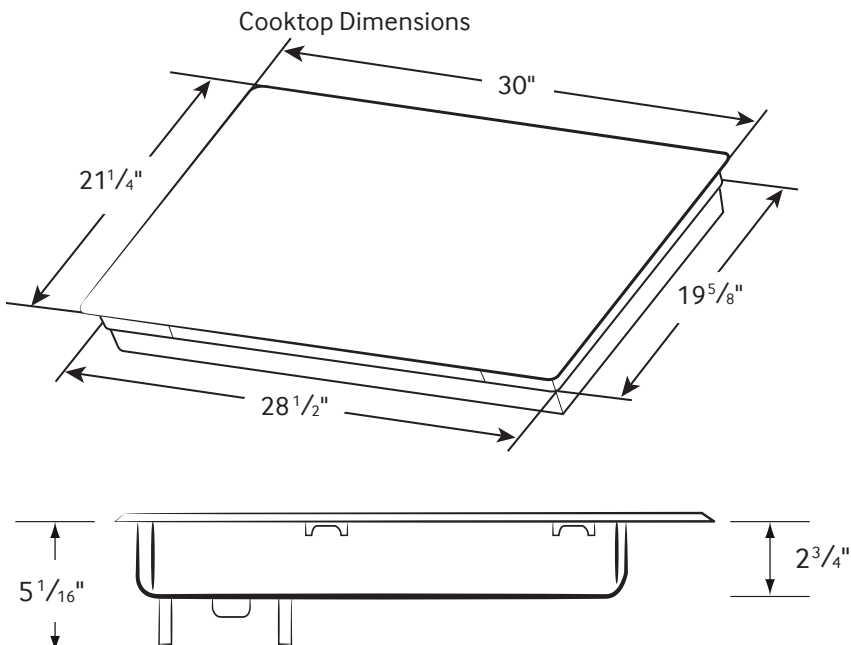
887276183589

Black Stainless Steel

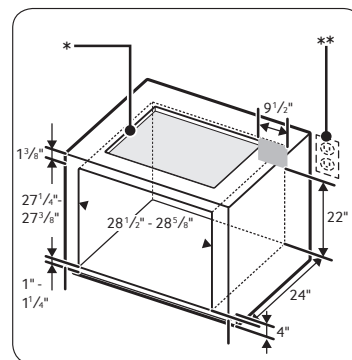
NZ30K7570RG

887276183428

Dimensions



Cutout Dimensions of Countertop



* See built-in oven installation for complete installation instructions. See label on top of approved built-in oven models.

** Refer to installation manual of oven.

SAMSUNG

Actual color may vary. Design, specifications, and color availability are subject to change without notice. Non-metric weights and measurements are approximate.

©2016 Samsung Electronics America, Inc. 85 Challenger Road, Ridgefield Park, NJ 07660. Tel: 800-SAMSUNG. samsung.com. Samsung is a registered trademark of Samsung Electronics Co., Ltd.