

PRO 48 Refrigeration Installation Guide



Contents

- 3 PRO 48 Refrigeration
- 4 Opening Dimensions
- 5 Electrical
- 5 Plumbing
- 6 Preparation
- 6 Anti-Tip Bracket
- 8 Placement
- 8 Water Line
- 8 Alignment
- 10 Completion

Features and specifications are subject to change at any time without notice. Visit subzero.com/specs for the most up-to-date information.

Important Note

To ensure this product is installed and operated as safely and efficiently as possible, take note of the following types of highlighted information throughout this guide:

IMPORTANT NOTE highlights information that is especially important.

CAUTION indicates a situation where minor injury or product damage may occur if instructions are not followed.

WARNING states a hazard that may cause serious injury or death if precautions are not followed.

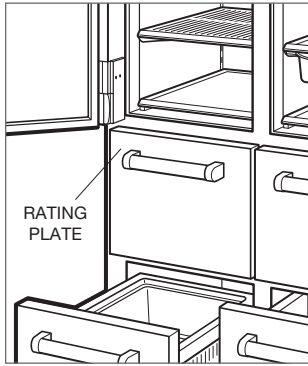
IMPORTANT NOTE: Throughout this guide, dimensions in parentheses are millimeters unless otherwise specified.

IMPORTANT NOTE: Save these instructions for the local electrical inspector.

Product Information

Important product information including the model and serial number are listed on the product rating plate. The rating plate is located inside the cabinet, to the left of the upper freezer drawer. Refer to the illustration below.

If service is necessary, contact Sub-Zero factory certified service with the model and serial number. For the name of the nearest Sub-Zero factory certified service or for questions regarding the installation, visit the contact & support section of our website, subzero.com or call Sub-Zero customer care at 800-222-7820.



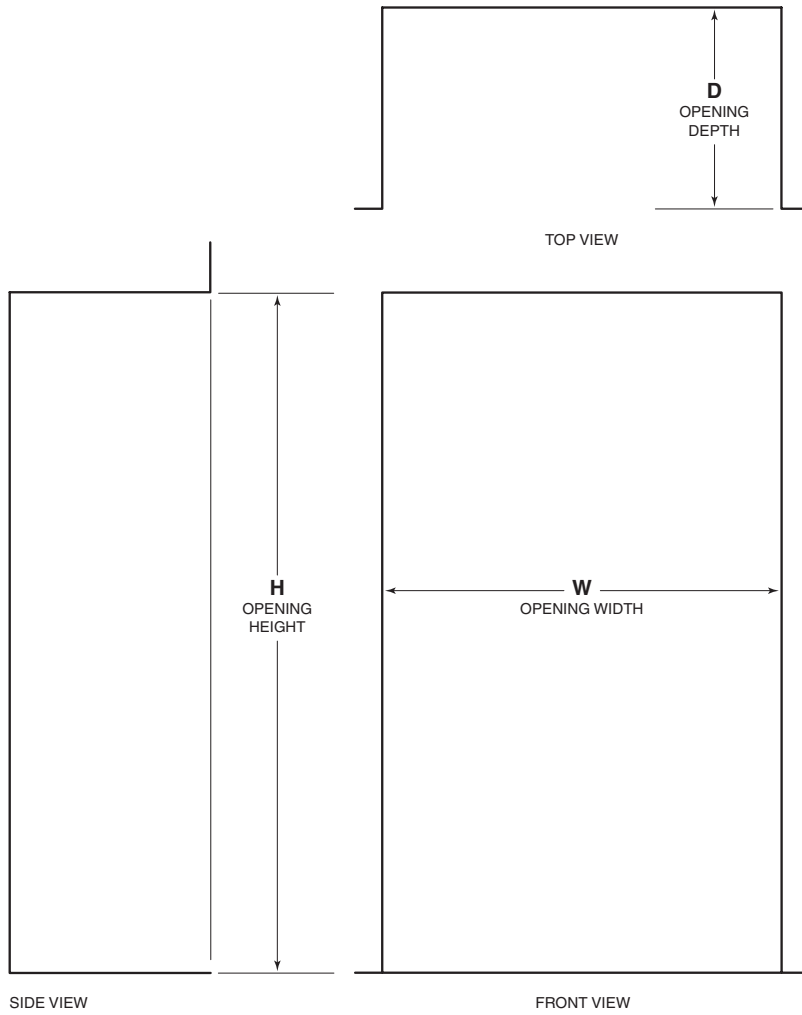
Rating plate location (inside drawer).

Tools and Materials

- Screwdrivers—standard, Phillips and Torx.
- Power drill.
- Drill bits (masonry bits required for concrete installation).
- Standard Allen wrench set.
- Standard socket and wrench set.
- 2' and 4' levels.
- Tubing cutter.
- 3' of 1/4" OD copper, braided stainless steel or PEX tubing.
- Saddle valve.
- Material to protect home, flooring and cabinetry during installation.

Opening Dimensions

STANDARD AND FLUSH BUILT-IN INSTALLATIONS



OPENING	W	H	D
Standard	47 1/2" (1206)	83 3/4" (2127)	24" (610)
Flush	48" (1219)	84 1/8" (2137)	26" (660)

For standard built-in installations, the face frame will extend 2" (51) beyond cabinetry. In flush installations, the face frame will be flush with surrounding cabinetry.

Electrical

Installation must comply with all applicable electrical codes.

The electrical supply should be located within the shaded area shown in the illustration below. A separate circuit, servicing only this appliance is required. A ground fault circuit interrupter (GFCI) is not recommended and may cause interruption of operation.

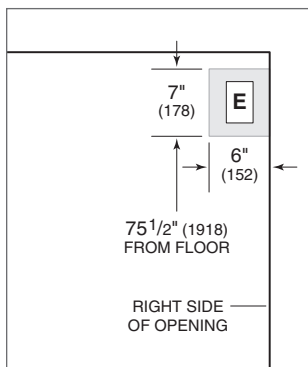
ELECTRICAL REQUIREMENTS	
Electrical Supply	115 VAC, 60 Hz
Service	15 amp
Receptacle	3-prong grounding-type

⚠ CAUTION

The outlet must be checked by a qualified electrician to be sure that it is wired with the correct polarity. Verify that the outlet is properly grounded.

⚠ WARNING

Do not use an extension cord, two-prong adapter or remove the power cord ground prong.



Electrical supply location.

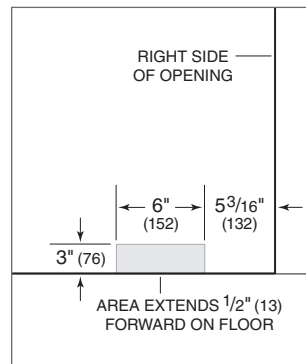
Plumbing

Installation must comply with all applicable plumbing codes.

The water supply line should be located within the shaded area shown in the illustration below. The water supply line should be connected to the house supply with an easily accessible shut-off valve. Do not use self-piercing valves. The water supply line must not interfere with installation of the anti-tip bracket.

A reverse osmosis system can be used provided there is constant water pressure of 35–120 psi (2.4–8.3 bar) supplied to the unit at all times. In this application, the water filtration system must be bypassed by removing the filter. A copper line is not recommended for this application.

PLUMBING REQUIREMENTS	
Water Supply	1/4" OD copper, braided stainless steel or PEX tubing
Pressure	35–120 psi (2.4–8.3 bar)
Excess Line for Connection	36" (914)



Water supply location.

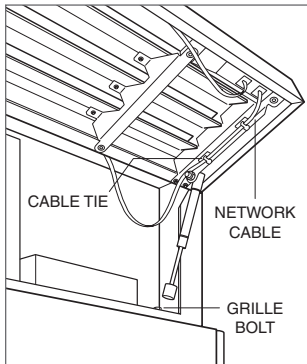
Preparation

Uncrate the unit and inspect for damage. Remove the wood base and discard shipping bolts and brackets. Remove and recycle packing materials. Do not discard the kickplate, anti-tip bracket and hardware.

Completely retract the front leveling legs to allow the unit to be moved into position. The front and rear leveling legs can be adjusted from the front once the unit is in position.

Remove the drain pan from the base of the unit to avoid damage, and allow for proper appliance dolly placement.

The grille assembly should be removed prior to moving the unit. To remove, pull out on the bottom edge of the grille and rotate upward. Cut cable ties that attach the network cable to the grille, then disconnect the network cable. Remove three grille bolts from the grille, then pull grille forward to remove. Refer to the illustration below.



Grille removal.

Anti-Tip Bracket

⚠ WARNING

To prevent the unit from tipping forward, the anti-tip bracket must be installed.

Use the centerline locating holes to position the anti-tip bracket in the center of the opening. The bracket must be positioned 24" (610) from the front of the opening to the back of the bracket. This depth will increase to 26" (660) for a flush installation. Failure to properly position the anti-tip bracket will prevent proper engagement.

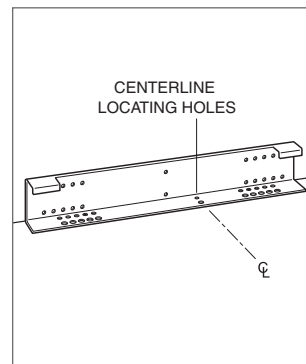
Use all anti-tip bracket hardware as instructed for wood or concrete floors.

IMPORTANT NOTE: For wood or concrete floor applications, if the #12 screws do not hit a wall stud or wall plate, use the #8 screws and #12 washers with the wall anchors.

IMPORTANT NOTE: In some installations the subflooring or finished floor may necessitate angling the screws used to fasten the anti-tip bracket to the back wall.

ANTI-TIP HARDWARE

1	Anti-tip bracket
12	#12 x 2 1/2" pan head screws
3	3/8"-16 x 3 3/4" wedge anchors
12	#12 flat washers
3	#8-18 x 1 1/4" truss head screws
3	Nylon Zip-it® wall anchors



Anti-tip bracket.

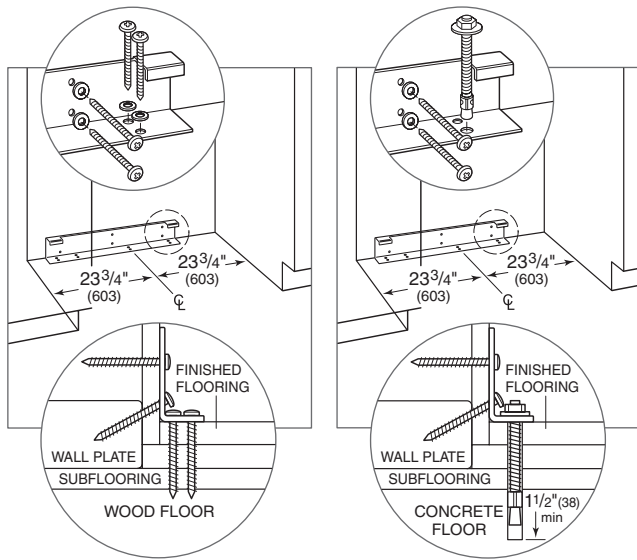
Anti-Tip Bracket

WOOD FLOOR APPLICATION

After properly locating the anti-tip bracket in the opening, drill pilot holes $\frac{3}{16}$ " (5) diameter maximum in the wall studs or wall plate. Use the #12 screws and washers to secure the bracket. Verify the screws penetrate through the flooring material and into wall studs or wall plate a minimum of $\frac{3}{4}$ " (19). Refer to the illustration below.

CONCRETE FLOOR APPLICATION

After properly locating the anti-tip bracket in the opening, drill pilot holes $\frac{3}{16}$ " (5) diameter maximum in the wall studs or wall plate. Drill $\frac{3}{8}$ " (10) diameter holes into the concrete a minimum of $1\frac{1}{2}$ " (38) deep. Use the #12 screws and washers to secure the bracket to the wall, and use the $\frac{3}{8}$ " wedge anchors to secure the bracket to the floor. Verify the screws penetrate wall studs or wall plate a minimum of $\frac{3}{4}$ " (19). Refer to the illustration below.



Wood floor.

Concrete floor.

CONCRETE WEDGE ANCHOR INSTALLATION:

- 1 Drill a $\frac{3}{8}$ " (10) diameter hole any depth exceeding the minimum embedment. Clean the hole or drill additional depth to accommodate drill fines.
- 2 Assemble the washer and nut flush with the end of anchor to protect threads. Drive the anchor through the material to be fastened until the washer is flush with the surface material.
- 3 Expand the anchor by tightening the nut 3–5 turns past hand-tight position or to 25 foot-pounds of torque.

⚠ WARNING

Verify there are no electrical wires or plumbing in the area which the screws could penetrate.

⚠ CAUTION

Always wear safety glasses and use other necessary protective devices or apparel when installing or working with anchors.

Anchors are not recommended for use in lightweight masonry material such as block or brick, or for use in new concrete which has not had sufficient time to cure. The use of core drills is not recommended to drill holes for the anchors.

Placement

⚠ CAUTION

Before moving the unit into position, secure doors and drawers closed and protect any finished flooring.

Use an appliance dolly to move the unit near the opening.

If the unit has been on its back or side, it must stand upright for a minimum of 24 hours before connecting power.

Plug the power cord into the grounded outlet and roll the unit into position. Verify the anti-tip bracket is properly engaged.

Water Line

Approximately 3' (.9 m) of 1/4" plastic tubing is connected to the unit with a preassembled 1/4" compression connection under the unit. The water line fitting connection kit, provided with the unit, contains a 1/4" compression union fitting for connection to the household water line.

Purge the water line prior to final connection to the unit. This will remove any debris that may be present in the tubing from installing the new water line.

Place the sleeve and nut on the water line and fasten to the connection at the end of the tubing. Do not over tighten. Check all water line fittings for leaks. Verify the drain pan can be installed and removed without water line interference.

IMPORTANT NOTE: If a reverse osmosis system used, it is recommended that the water filtration system be bypassed by removing the filter.

IMPORTANT NOTE: Water lines can not be exposed to freezing temperatures.

Alignment

LEVELING

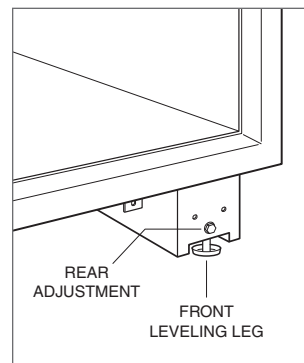
Once the unit is in position, turn the front leveling legs clockwise to adjust the height. The rear height adjustment can be made from the front of the roller base. Using a 3/8" socket, turn the 3/8" hex bolt clockwise to raise the unit or counterclockwise to lower. Use the lowest torque setting when using a power drill. Do not turn the rear leveling legs by hand. Refer to the illustration below.

When the unit is properly leveled, door and drawer adjustments are less likely to be necessary.

IMPORTANT NOTE: Level the unit to the floor, not surrounding cabinetry. This could affect the operation of the unit, such as door closing.

⚠ WARNING

To reduce the possibility of the unit tipping forward, the front leveling legs must be in contact with the floor.



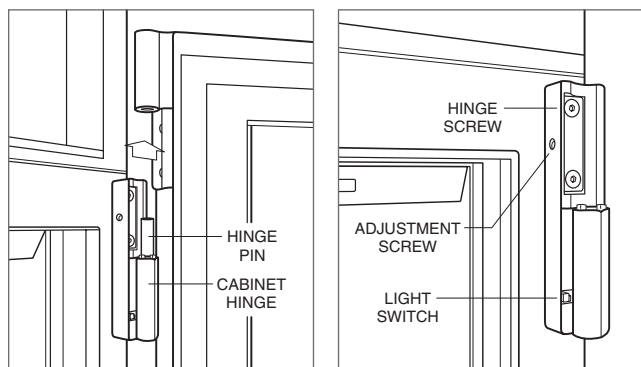
Leveling.

Alignment

DOOR ADJUSTMENT

To make adjustments, remove door and door stop, then slightly loosen the two upper hinge screws. Use the Allen wrench provided to turn adjustment screw to adjust hinge. Refer to the illustration below. Reinstall door and check alignment. Repeat until door is properly aligned.

IMPORTANT NOTE: When adjusting doors, verify the hinge tab continues to engage the door light switch. Refer to the illustration below.



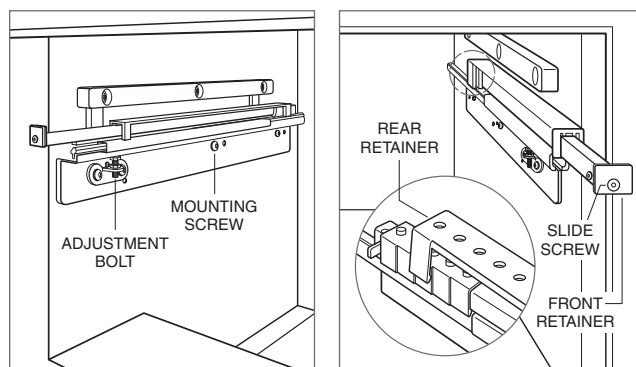
Door removal.

Hinge adjustment.

DRAWER ADJUSTMENT

Vertical adjustment | Loosen the three mounting screws. Refer to the illustration below. Using a $\frac{7}{16}$ " wrench, turn the adjustment bolt clockwise to raise and counterclockwise to lower. Tighten screws, then reinstall drawer and check alignment. Repeat until drawer is properly aligned.

Horizontal adjustment | Loosen the front drawer slide screw. Refer to the illustration below. Adjust the front retainer right or left, then tighten screw. Next, lift up on the rear retainer and shift forward or backward to maintain alignment with front retainer. Each set of holes will adjust alignment by $\frac{1}{32}$ " (.8).



Vertical adjustment.

Horizontal adjustment.

Completion

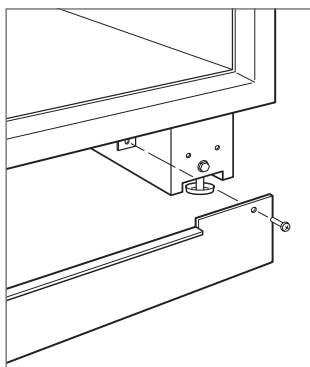
Install the grille assembly and check for proper fit. Reconnect the network cable. Refer to page 6. Attach the network cable to the grille using cable ties provided.

Reinstall the drain pan and verify it is in the proper position.

Install the kickplate using screws to attach it to brackets on the inside of each roller base. Refer to the illustration below. The kickplate must be removable for service. The floor cannot interfere with removal.

Install leg covers. Remove paper backing and press into position.

Turn power on by touching POWER on the control panel.

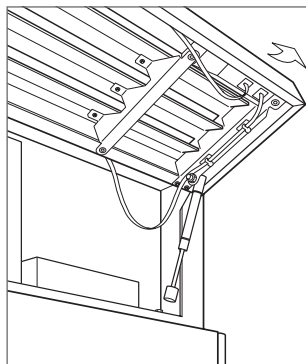


Kickplate installation.

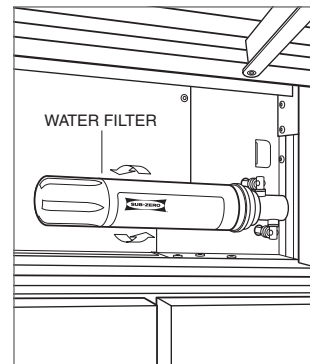
WATER FILTER BYPASS

If the water filtration system will not be utilized, it can be placed in water filter bypass mode by removing the water filter. Refer to the illustration below. Follow these steps to remove the water filter:

- 1 Pull out on the bottom edge of the grille assembly and tilt the grille frame upward.
- 2 To remove the cartridge, rotate the cartridge counter-clockwise one-quarter turn and pull out. Refer to the illustration below.



Open grille.



Water filter removal.

Completion

90° DOOR STOP

The doors of all models open to 135°. For installations where the door opening must be limited, an optional 90° door stop kit is available through an authorized Sub-Zero dealer. For local dealer information, visit the find a show-room section of our website, subzero.com.

WARNING

Follow all city and state laws when storing, recycling or discarding unused refrigerators and freezers.

Contenido

- 3 Unidad de refrigeración PRO 48
- 4 Dimensiones de abertura
- 5 Instalación eléctrica
- 5 Plomería
- 6 Preparación
- 6 Soporte antivuelco
- 8 Colocación
- 8 Línea de agua
- 8 Alineación
- 10 Finalización

Aviso importante

Para garantizar que este producto sea instalado y operado de la forma más segura y eficiente posible, tome nota de los siguientes tipos de información resaltada en esta guía:

AVISO IMPORTANTE resalta la información que es especialmente importante.

PRECAUCIÓN indica una situación en la que se pueden sufrir heridas leves o provocar daños al producto si no se siguen las instrucciones.

ADVERTENCIA indica peligro de que se produzcan heridas graves o incluso la muerte si no se siguen las precauciones.

AVISO IMPORTANTE: En toda esta guía, las dimensiones entre paréntesis son milímetros, a menos que se especifique lo contrario.

Información del producto

La información importante del producto, incluido el modelo y número de serie de la unidad, se encuentran en la placa de datos del producto. La placa de datos se encuentra dentro del gabinete, a la izquierda del cajón superior del refrigerador. Consulte la siguiente ilustración.

Si necesita servicio, póngase en contacto con el centro de servicio autorizado de Sub-Zero y tenga a la mano el modelo y número de serie de la unidad. Para obtener los datos del centro de servicio autorizado de Sub-Zero más cercano o si tiene preguntas acerca de la instalación, visite la sección de contacto y soporte técnico en nuestra página de Internet, subzero.com o llame a la línea de atención al cliente de Sub-Zero al 800-222-7820.



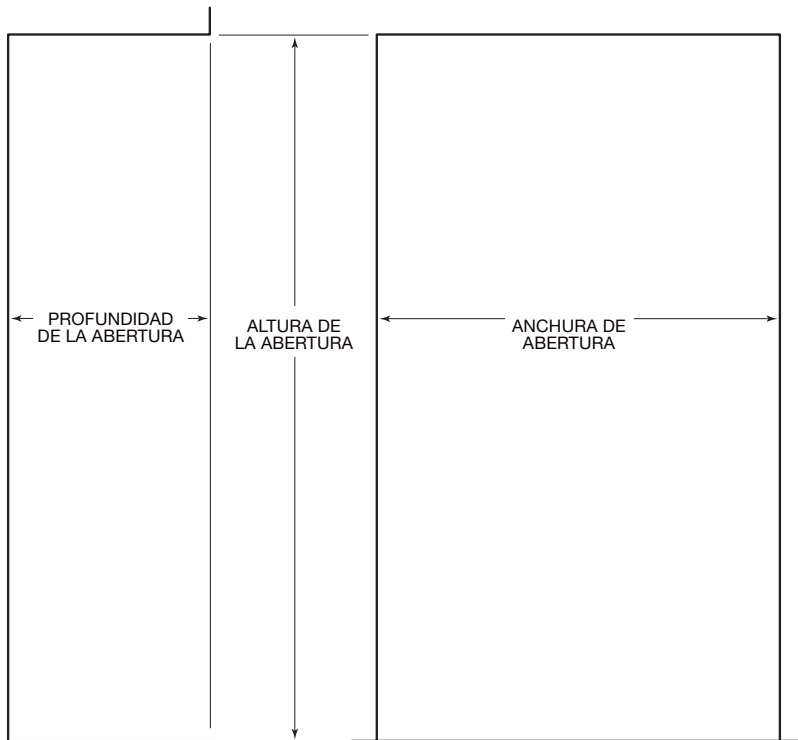
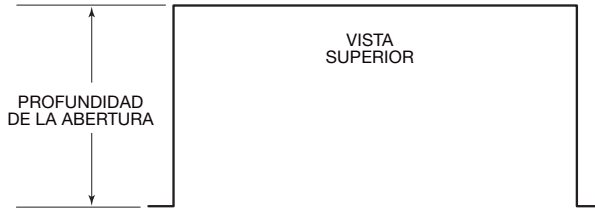
Ubicación de la placa de datos (dentro del cajón).

Herramientas y materiales

- Destornilladores: estándar, Phillips y Torx.
- Taladro eléctrico.
- Brocas (se requieren brocas de mampostería para instalación en concreto).
- Juego de llaves Allen estándar.
- Juego de llaves estándar y de vaso.
- Niveles 2' y 4'.
- Cortador de tubos.
- 3' de tubería de cobre, trenzada de acero inoxidable o PEX de 1/4" de diámetro exterior.
- Válvula de asiento.
- Material para proteger la casa, el piso y los gabinetes durante la instalación.

Dimensiones de abertura

INSTALACIONES INTEGRADAS ESTÁNDAR Y EMPOTRABLES



VISTA LATERAL

VISTA FRONTAL

APERTURA	ESTÁNDAR	EMPOTRABLE
Ancho	47 ¹ / ₂ " (1206)	48" (1219)
Altura	83 ³ / ₄ " (2127)	84 ¹ / ₈ " (2137)
Profundidad*	24" (610)	26" (660)

*En las instalaciones estándar, el marco frontal se extenderá 2" (51) más allá de los gabinetes. En las instalaciones empotrables, el marco frontal se instalará con los gabinetes que lo rodean.

Instalación eléctrica

La instalación debe cumplir con todos los códigos eléctricos vigentes.

El suministro eléctrico debe colocarse dentro del área sombreada que se muestra en la siguiente ilustración. Es necesario un circuito independiente, que dé servicio únicamente a este aparato. No es recomendable utilizar un circuito de fallos de conexión a tierra (GFCI, por sus siglas en inglés) ya que puede interrumpir el funcionamiento de la unidad.

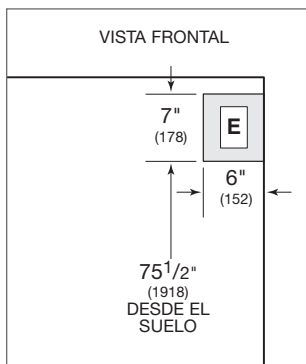
REQUISITOS ELÉCTRICOS	
Suministro eléctrico	115 V CA, 60 Hz
Interruptor de circuito	15 amperes
Receptáculo	Conexión a tierra de 3 clavijas

⚠ PRECAUCIÓN

Un electricista calificado debe revisar el tomacorriente para asegurarse de que la conexión se haya realizado con la polaridad correcta. Verifique que el tomacorriente esté debidamente conectado a tierra.

⚠ ADVERTENCIA

No utilice un cable de extensión, adaptador de dos clavijas ni retire la clavija con conexión a tierra del cable de alimentación.



Ubicación del suministro eléctrico.

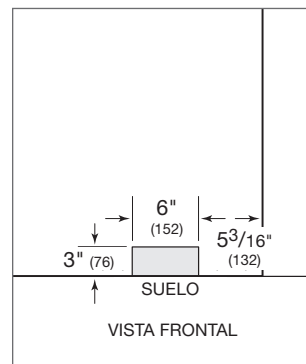
Plomería

La instalación debe cumplir con todos los códigos de plomería vigentes.

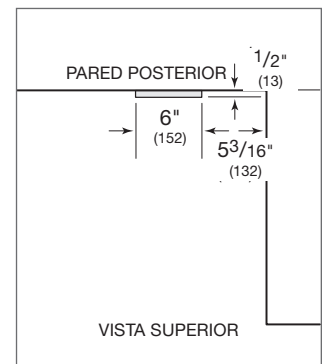
La línea del suministro de agua debe colocarse dentro del área sombreada que se muestra en la siguiente ilustración. La línea del suministro de agua debe conectarse al suministro doméstico con una válvula de cierre de fácil acceso. Evite utilizar válvulas autopercutoras. La línea del suministro de agua no debe interferir en la instalación del soporte antivuelco.

Se puede utilizar un sistema de ósmosis inversa siempre y cuando la presión del agua que llegue a la unidad se mantenga de forma constante entre 35 y 120 psi (de 2.4 a 8.3 bares) en todo momento. En esta aplicación, se debe desviar el sistema de filtrado de agua mediante la extracción del filtro. No es recomendable utilizar una línea de cobre para esta aplicación.

REQUISITOS DE PLOMERÍA	
Línea de suministro de agua	Tubería de cobre, trenzada de acero inoxidable o PEX de 1/4" de diámetro exterior.
Presión del agua	De 35 a 120 psi (de 2.4 a 8.3 bares)
Línea de exceso de agua para la conexión	3/8" (914)



Ubicación del suministro de agua (parte posterior).



Ubicación del suministro de agua (parte inferior).

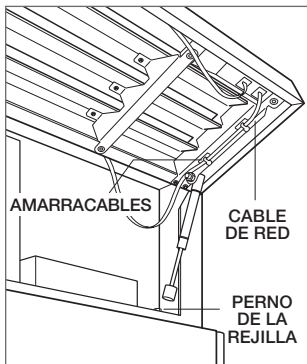
Preparación

Desembale la unidad e inspeccione si tiene algún daño. Retire la base de madera y deseche los pernos y soportes de transporte. Retire y recicle los materiales de embalaje. No deseche el zócalo, el soporte antivuelco ni las piezas de montaje.

Repliegue completamente las patas niveladoras delanteras para que pueda mover la unidad a su posición. Las patas niveladoras delanteras y traseras se pueden ajustar desde el frente de la unidad una vez que la misma está en su posición.

Retire la bandeja de drenaje de la base de la unidad para evitar que se dañe y permitir que se pueda colocar bien la plataforma rodante.

Debe quitar el conjunto de la rejilla antes de mover la unidad. Para quitarlo, jale el borde inferior de la rejilla hacia fuera y gire hacia arriba. Corte los amarracables que unen el cable de red con la rejilla y desconecte el cable de red. Quite los tres pernos de la rejilla y júlela para extraerla. Consulte la siguiente ilustración.



Extracción de la rejilla.

Soporte antivuelco

⚠ ADVERTENCIA

Para evitar que la unidad se incline hacia delante y proporcionar una instalación estable, la unidad debe estar asegurada en su lugar con el soporte antivuelco.

Utilice los orificios de ubicación de la línea central para colocar el soporte antivuelco en el centro de la abertura. El soporte se debe colocar a 24" (610) desde el frente de la abertura hasta la parte posterior del soporte. Esta profundidad aumentará a 26" (660) en una instalación empotrable. No colocar correctamente el soporte antivuelco impedirá que la unidad quede bien enganchada.

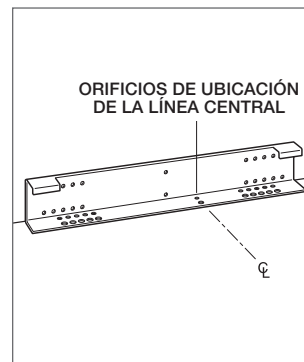
Utilice todas las piezas de montaje de los soportes antivuelco de acuerdo con las instrucciones para suelos de madera o de concreto.

AVISO IMPORTANTE: Para aplicaciones en suelo de madera o de concreto, si los tornillos del # 12 no alcanzan un travesaño o la placa de pared, utilice tornillos del # 8 y arandelas del # 12 con los anclajes de pared.

AVISO IMPORTANTE: En algunas instalaciones el contrapiso o el suelo terminado pueden necesitar que se inclinen los tornillos utilizados para sujetar el soporte antivuelco a la pared del fondo.

PIEZAS DE MONTAJE ANTIVUELCO

1	Soporte antivuelco
12	Tornillos de cabeza plana de #12 x 2 ¹ / ₂ "
3	Anclas de cuña de 3/8"-16 x 3 ³ / ₄ "
12	Arandelas planas del #12
3	Tornillos de cabeza segmentada de #8-18 x 1 ¹ / ₄ "
3	Anclajes Nylon Zip-it® para pared



Soporte antivuelco.

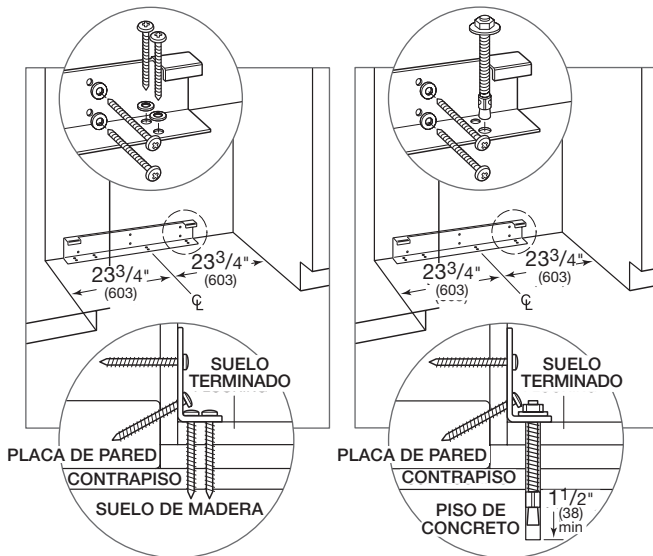
Soporte antivuelco

APLICACIÓN EN SUELO DE MADERA

Después de ubicar apropiadamente el soporte antivuelco en la abertura, taladre los orificios guía con un diámetro máximo de $\frac{3}{16}$ " (5) en los travesaños o en la placa de la pared. Utilice los tornillos #12 y las arandelas para sujetar el soporte. Compruebe que los tornillos penetren a través del material del suelo y los travesaños o la placa de la pared $\frac{3}{4}$ " (19) como mínimo. Consulte la siguiente ilustración.

APLICACIÓN EN PISO DE CONCRETO

Después de ubicar apropiadamente el soporte antivuelco en la abertura, taladre los orificios guía con un diámetro máximo de $\frac{3}{16}$ " (5) en los travesaños o en la placa de la pared. Taladre orificios con un diámetro de $\frac{3}{8}$ " (10) en el concreto con una profundidad de $1\frac{1}{2}$ " (38) como mínimo. Utilice los tornillos #12 y las arandelas para sujetar el soporte a la pared, y utilice las anclas de cuña de $\frac{3}{8}$ " para sujetar el soporte al suelo. Compruebe que los tornillos penetren a través de los travesaños o la placa de la pared $\frac{3}{4}$ " (19) como mínimo. Consulte la siguiente ilustración.



Suelo de madera.

Piso de concreto.

INSTALACIÓN DE LAS ANCLAS DE CUÑA PARA CONCRETO:

- 1 Haga un orificio de $\frac{3}{8}$ " (10) de diámetro con una profundidad superior al empotrado mínimo. Limpie el orificio o continúe taladrando para hacer el orificio más profundo y que quepan los residuos en él.
- 2 Coloque la arandela y la tuerca al ras del extremo del ancla para proteger las roscas. Inserte el ancla a través del material que va a fijar hasta que la arandela quede al ras del material de la superficie.
- 3 Para expandir el ancla gire la tuerca de 3 a 5 vueltas para ajustarla hasta que quede bien apretada o a 25 libras-pie de torsión.

⚠ ADVERTENCIA

Verifique que no haya cables eléctricos o tuberías en la zona donde va a introducir los tornillos.

⚠ PRECAUCIÓN

Utilice siempre gafas de seguridad y otros dispositivos o prendas de protección que sean necesarios al instalar o trabajar con anclas.

No se recomienda el uso de anclas en material de mampostería poco pesado, como son los bloques o ladrillos; tampoco se recomienda utilizarlos en concreto fresco que no haya tenido tiempo suficiente para curar. No se recomienda el uso de brocas huecas para hacer los orificios para el ancla.

Colocación

⚠ PRECAUCIÓN

Antes de mover la unidad a su posición, asegúrese de que las puertas y cajones estén cerrados y proteja cualquier suelo con acabado.

Utilice una plataforma rodante para mover la unidad cerca de la abertura.

Si la unidad ha estado o está acostada o de lado, debe ponerla de pie y dejarla así durante un mínimo de 24 horas antes de conectarla al suministro eléctrico.

Conecte el cable de alimentación a la conexión a tierra y coloque la unidad en su sitio. Compruebe que el soporte antivuelco esté bien enganchado.

Línea de agua

Debe conectar un tubo de plástico de aproximadamente 3' (0.9 m) de 1/4" a la unidad con una conexión de compresión de 1/4" previamente ensamblada debajo de la unidad. El kit para instalar la conexión de la tubería de agua, que viene con la unidad, contiene un accesorio para unión de compresión de 1/4" para conectarlo a la toma de agua doméstica.

Purgue la línea de agua antes de hacer la conexión final a la unidad. Esto eliminará cualquier residuo que pueda haber quedado en la tubería al instalar la nueva línea de agua.

Coloque la manga y la tuerca en la toma de agua y sujételos a la conexión en el extremo de la tubería. No apriete demasiado. Revise todos los accesorios de la línea de agua para detectar fugas. Compruebe si puede instalar y quitar la bandeja de drenaje sin interferir en la línea de agua.

AVISO IMPORTANTE: Si utiliza un sistema de ósmosis inversa, se recomienda desviar el sistema de filtración de agua mediante la extracción del filtro.

AVISO IMPORTANTE: Las líneas de agua no pueden quedar expuestas a temperaturas de congelación.

Alineación

NIVELACIÓN

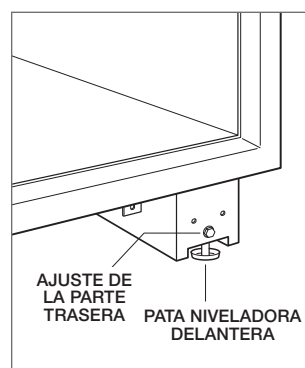
Una vez que la unidad está en posición, gire las patas niveladoras delanteras en sentido de las manecillas del reloj para ajustar la altura. El ajuste de la altura de la parte trasera se puede realizar desde la parte delantera de la base rodante. Con un vaso de 3/8" gire 3/8" el perno hexagonal en sentido de las manecillas del reloj para levantar la unidad o en sentido opuesto a las manecillas del reloj para bajarla. Utilice la velocidad más baja para el par de torsión cuando utilice un taladro eléctrico. No ajuste las patas niveladoras traseras con la mano. Consulte la siguiente ilustración.

Cuando la unidad está bien nivelada, no es tan necesario ajustar de las puertas y los cajones.

AVISO IMPORTANTE: Nivele la unidad con el suelo, no con los gabinetes que la rodean. Esto podría afectar el funcionamiento de la unidad, por ejemplo el cerrado de la puerta.

⚠ ADVERTENCIA

Para reducir la posibilidad de que la unidad se vuelque hacia adelante, las patas niveladoras delanteras deben estar en contacto con el suelo.



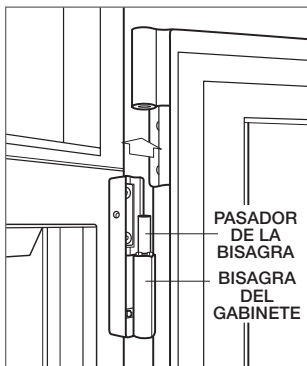
Nivelación.

Alineación

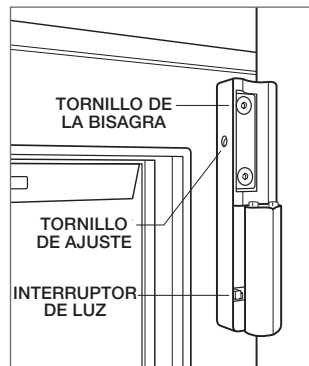
AJUSTE DE LA PUERTA

Para realizar cualquier ajuste, retire la puerta y el tope de la puerta y afloje ligeramente los dos tornillos de la bisagra superior. Con la llave Allen incluida gire el tornillo para ajustar la bisagra. Consulte la siguiente ilustración. Vuelva a instalar la puerta y verifique la alineación. Repita los pasos hasta que la puerta esté alineada correctamente.

AVISO IMPORTANTE: Al momento de ajustar las puertas, compruebe que la pestaña de la bisagra siga conectada con el interruptor de la luz de la puerta. Consulte la siguiente ilustración.



Extracción de la puerta.

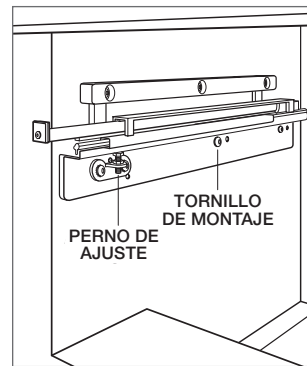


Ajuste de bisagra.

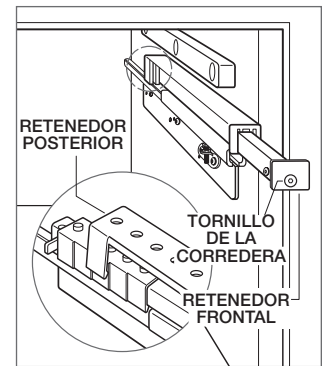
AJUSTE DE LOS CAJONES

Ajuste vertical | Afloje los tres tornillos de montaje. Consulte la siguiente ilustración. Con una llave de $\frac{7}{16}$ " , gire el perno de ajuste en el sentido de las manecillas del reloj para levantar la unidad, y en sentido opuesto a las manecillas del reloj para bajarla. Apriete los tornillos, vuelva a instalar el cajón y revise la alineación. Repita los pasos hasta que el cajón esté alineado correctamente.

Ajuste horizontal | Afloje el tornillo de las correderas del cajón frontal. Consulte la siguiente ilustración. Ajuste el retenedor frontal a la derecha o a la izquierda y apriete el tornillo. Luego, levante el retenedor frontal y desplace hacia delante y hacia atrás para mantener la alineación con el retenedor frontal. Cada conjunto de orificios ajustará la alineación en $\frac{1}{32}$ " (0.8).



Ajuste vertical.



Ajuste horizontal.

Finalización

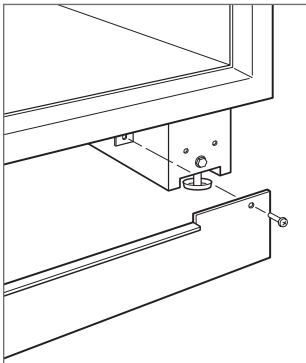
Instale el conjunto de la rejilla y verifique que se ajuste adecuadamente. Vuelva a conectar el cable de red. Consulte la página 6. Una el cable de red a la rejilla con los amarracables que vienen incluidos.

Vuelva a instalar la bandeja de drenaje y compruebe que esté bien puesta.

Instale el zócalo y sujételo a los soportes con los tornillos dentro de cada una de las bases rodantes. Consulte la siguiente ilustración. El zócalo debe ser desmontable para sacarlo cuando sea necesario dar servicio a la unidad. El suelo no debe interferir al desmontarlo.

Instale las cubiertas de las patas. Retire el refuerzo de papel y fuércele en su posición.

Para encender la unidad pulse el botón de ENCENDIDO en el panel de control.

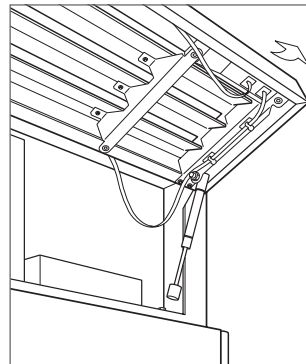


Instalación del zócalo.

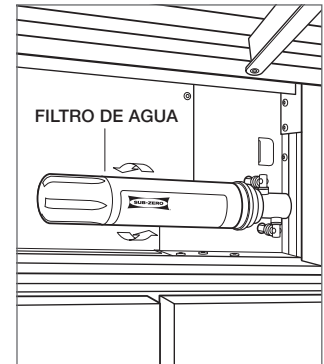
DESVIACIÓN DEL FILTRO DE AGUA

Si no va a utilizar el sistema de filtrado, puede colocarlo en el modo de desvío del filtro de agua mediante la extracción del filtro de agua. Consulte la siguiente ilustración. Siga estos pasos para extraer el filtro de agua:

- 1 Jale el borde inferior de la rejilla hacia fuera e incline el marco de la rejilla hacia arriba.
- 2 Para retirar el cartucho, gírelo un cuarto en sentido opuesto a las manecillas del reloj y jálelo. Consulte la siguiente ilustración.



Apertura de la rejilla.



Extracción del filtro de agua.

Finalización

TOPE PARA PUERTA A 90°

Las puertas de todos los modelos abren a 135°. Las instalaciones en las que se debe limitar la abertura de la puerta disponen de un juego de topes de 90° para puertas a través de un distribuidor autorizado de Sub-Zero. Para obtener más información acerca de los distribuidores locales, visite la sección para encontrar una sala de exhibición de nuestro sitio web, subzero.com.

ADVERTENCIA

Siga todas las leyes estatales y locales para almacenar, reciclar o desechar los refrigeradores y congeladores no utilizados.

Table des matières

- 3 Réfrigération PRO 48
- 4 Dimensions de l'ouverture
- 5 Électricité
- 5 Plomberie
- 6 Préparation
- 6 Support antibasculement
- 8 Mise en place
- 8 Tuyau d'alimentation en eau
- 8 Alignement
- 10 Achèvement

Remarque importante

Pour s'assurer que ce produit est installé et utilisé en toute sécurité et aussi efficacement que possible, prenez note des types de renseignement mis en évidence tout au long de ce guide :

REMARQUE IMPORTANTE met en évidence des renseignements qui sont particulièrement importants.

MISE EN GARDE indique une situation où une blessure mineure ou des dommages au produit peuvent se produire si les directives ne sont pas respectées.

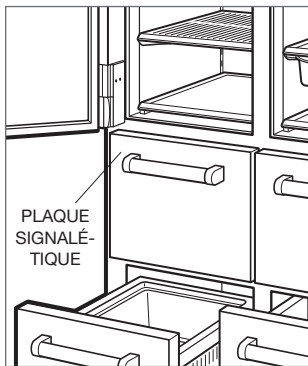
AVERTISSEMENT décrit un danger qui peut causer une blessure grave ou la mort si les précautions ne sont pas respectées.

REMARQUE IMPORTANTE : tout au long de ce guide, les dimensions entre parenthèses sont en millimètres à moins d'indication contraire.

Renseignements sur le produit

Des renseignements importants sur le produit, y compris les numéros de modèle et de série de votre unité, se trouvent sur la plaque signalétique du produit. La plaque signalétique est située à l'intérieur de l'armoire à la gauche du tiroir supérieur du congélateur. Reportez-vous à l'illustration ci-dessous.

Si vous avez besoin de service, communiquez avec le service Sub-Zero certifié par l'usine et ayez les numéros de modèle et de série de l'unité à la portée de la main. Pour obtenir le nom du centre de service Sub-Zero certifié par l'usine près de chez vous ou si vous avez des questions concernant l'installation, consultez la section Contact et assistance de notre site Web, subzero.com ou appelez le service à la clientèle de Sub-Zero au 800-222-7820.



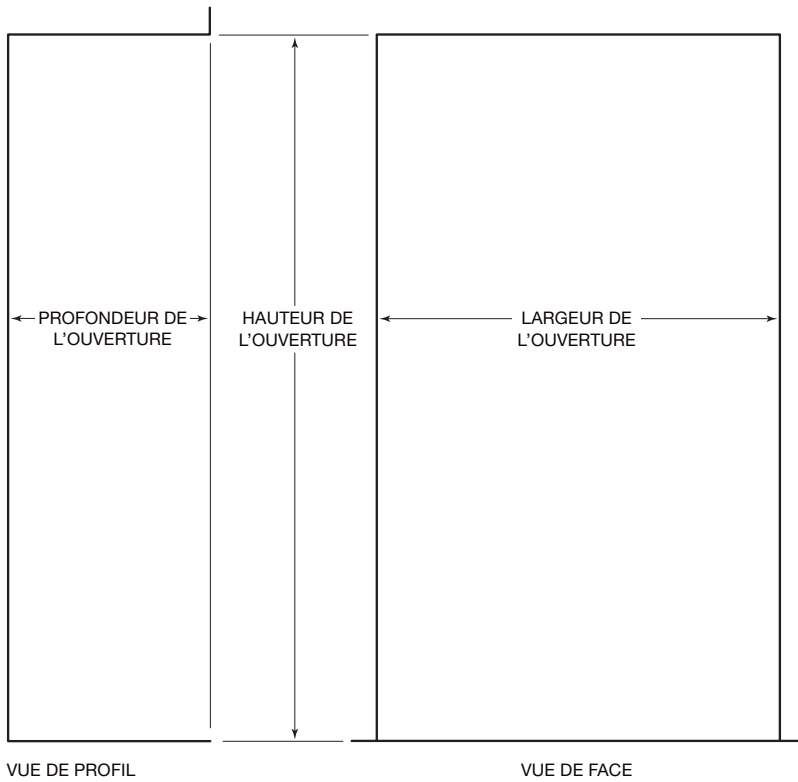
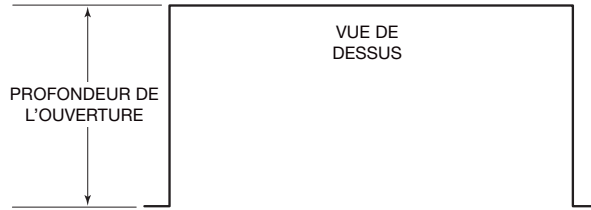
Emplacement de la plaque signalétique (dans le tiroir).

Outils et matériaux

- Tournevis—standard, cruciforme et Torx.
- Perceuse électrique.
- Mèches (des mèches à maçonnerie sont requises pour l'installation dans le béton).
- Ensemble de clés Allen standard.
- Ensemble de clés et douilles standard.
- Niveaux de 2 pi (601) et 4 pi (1 219).
- Coupe-tube.
- 3 pi (914) de tube PEX ou en acier inoxydable tressée en cuivre de 1/4 po (6) de diamètre extérieur.
- Vanne à étrier.
- Des matériaux pour protéger la résidence, le plancher et les armoires pendant l'installation.

Dimensions de l'ouverture

INSTALLATIONS INTÉGRÉES STANDARDS ET À AFFLEUREMENT



OUVERTURE	STANDARD	À AFFLEUREMENT
Largeur	47 ¹ / ₂ po (1 206)	48 po (1 219)
Hauteur	83 ³ / ₄ po (2 127)	84 ¹ / ₈ po (2 137)
Profondeur*	24 po (610)	26 po (660)

*Pour les installations standards, le cadre de la façade se prolongera de 2 po (51) au-delà des armoires. Dans les installations à affleurement, le cadre de la façade sera à égalité avec les armoires.

Électricité

L'installation doit se conformer à tous les codes électriques applicables.

L'alimentation électrique doit se trouver à l'intérieur de la zone ombragée indiquée dans l'illustration ci-dessous. Un circuit séparé servant uniquement cet appareil est requis. Un disjoncteur de fuite de terre (GFCI) n'est pas recommandé et peut interrompre le fonctionnement.

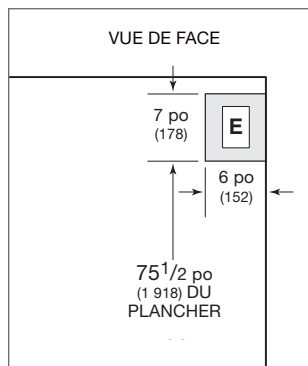
EXIGENCES ÉLECTRIQUES	
Alimentation électrique	115 volts CA, 60 Hz
Disjoncteur	15 ampères
Prise	mise à la terre à trois broches

▲ MISE EN GARDE

Cette prise doit être vérifiée par un électricien qualifié pour s'assurer qu'elle est câblée avec la polarité appropriée. Assurez-vous que la prise est correctement mise à la terre.

▲ AVERTISSEMENT

N'utilisez pas une rallonge ou un adaptateur à deux broches et ne retirez pas la broche de mise à la terre du cordon d'alimentation.



Emplacement de l'alimentation électrique.

Plomberie

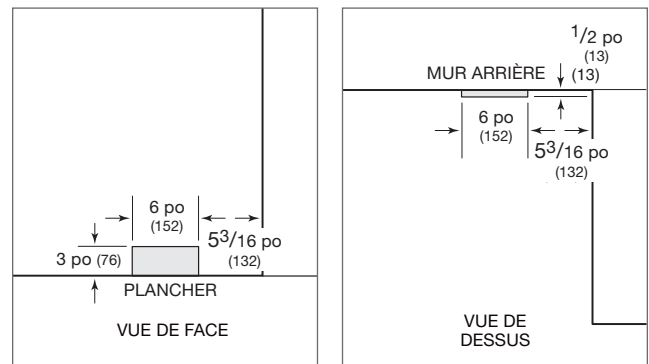
L'installation doit se conformer à tous les codes de plomberie applicables.

Le tuyau d'alimentation en eau doit se trouver à l'intérieur de la zone ombragée indiquée dans l'illustration ci-dessous. Le tuyau d'alimentation en eau doit être relié à l'alimentation de la maison avec un robinet d'arrêt facilement accessible. N'utilisez pas des vannes à auto-perçage. Le tuyau d'alimentation en eau ne doit pas nuire à l'installation du support antibasculement.

Un système à osmose inverse peut être utilisé à condition qu'il y ait une pression d'eau constante de 35 à 120 psi (2,4 à 8,3 bars) vers l'unité en tout temps. Dans cette application, le système de filtration doit être dérivé en retirant le filtre. Une conduite en cuivre n'est pas recommandée pour cette application.

EXIGENCES DE PLOMBERIE

Tuyau d'alimentation en eau	tube PEX ou en acier inoxydable tressé en cuivre de 1/4 po (6) de diamètre extérieur
Pression d'eau	35-120 psi (2,4-8,3 bars)
Tuyau d'alimentation en eau supplémentaire pour connexion	36 po (914)



Emplacement de l'alimentation en eau (à l'arrière).

Emplacement de l'alimentation en eau (au fond).

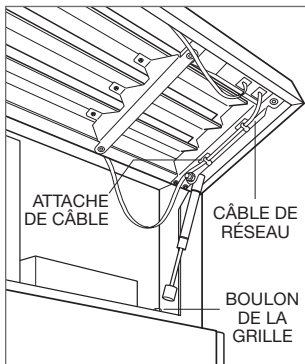
Préparation

Sortez l'unité de la boîte et examinez-la pour vous assurer qu'elle n'est pas endommagée. Retirez la base en bois et jetez les boulons et les supports d'expédition. Retirez et recyclez les matériaux d'emballage. Ne jetez pas la plaque de protection, le support antibasculement et la quincaillerie.

Rentrez complètement les pieds de nivellement avant afin de pouvoir déplacer l'unité jusqu'à son emplacement. Les pieds de nivellement avant et arrière peuvent être réglés à partir de l'avant lorsque l'unité est en place.

Retirez la cuvette d'égouttement de la base de l'unité pour éviter de l'endommager et permettre de bien placer le chariot à appareil.

L'assemblage de la grille doit être retiré avant de déplacer l'unité. Pour retirer, tirez le rebord inférieur de la grille vers l'extérieur et tournez-le vers le haut. Coupez les attaches de câble qui fixent le câble de réseau à la grille, puis débranchez le câble de réseau. Retirez les trois boulons de la grille, puis tirez cette dernière vers l'avant pour l'enlever. Reportez-vous à l'illustration ci-dessous.



Retrait de la grille.

Support antibasculement

⚠ AVERTISSEMENT

Pour empêcher l'unité de basculer vers l'avant et obtenir une installation stable, elle doit être fixée en place au moyen du support antibasculement.

Utilisez les trous de localisation de la ligne centrale pour placer le support antibasculement au centre de l'ouverture. Le support doit être placé à une distance de 24 po (610) de l'avant de l'ouverture jusqu'à l'arrière du support. Cette profondeur passe à 26 po (660) pour une installation à affleurement. Si le support antibasculement n'est pas aligné adéquatement, il ne s'enclenchera pas correctement.

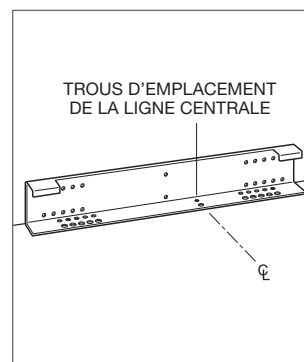
Utilisez toute la quincaillerie pour support antibasculement selon les directives pour les planchers en bois ou en béton.

REMARQUE IMPORTANTE : pour les applications sur des planchers en bois ou en béton, si les vis n° 12 ne touchent pas un poteau mural ou une plaque murale, utilisez les vis n° 8 et les rondelles n° 12 avec les cales d'ancrage.

REMARQUE IMPORTANTE : dans certaines installations, le sous-plancher ou le plancher fini peuvent nécessiter l'inclinaison des vis utilisées pour fixer le support antibasculement au mur arrière.

QUINCAILLERIE ANTIBASCULEMENT

1	Support antibasculement
12	Vis à tête cylindrique bombée n°12 x 2 1/2 po
3	Cales d'ancrage de 3/8 po-16 x 3 3/4 po
12	Rondelles plates n°12
3	Vis à tête bombée n°8-18 x 1 1/4 po
3	Cales d'ancrage au mur à glissière en nylon Zip-it®



Support antibasculement

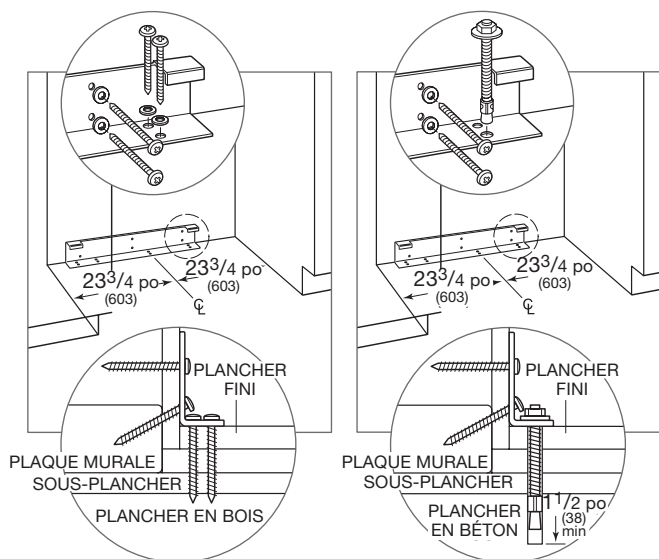
Support antibasculement

APPLICATION SUR UN PLANCHER EN BOIS

Après avoir correctement repéré les supports antibasculement dans l'ouverture préliminaire, percez des avant-trous de $\frac{3}{16}$ po (5) de diamètre au maximum dans les poteaux muraux ou la plaque murale. Utilisez les vis et les rondelles n° 12 pour fixer les supports. Vérifiez que les vis pénètrent dans le matériau du plancher et dans les poteaux muraux ou la plaque murale d'une distance d'au moins $\frac{3}{4}$ po (19). Reportez-vous à l'illustration ci-dessous.

APPLICATION SUR UN PLANCHER EN BÉTON

Après avoir correctement repéré les supports antibasculement dans l'ouverture préliminaire, percez des avant-trous de $\frac{3}{16}$ po (5) de diamètre au maximum dans les poteaux muraux ou la plaque murale. Percez des trous de $\frac{3}{8}$ po (10) de diamètre dans le béton d'une profondeur d'au moins $1\frac{1}{2}$ po (38). Utilisez les vis et les rondelles n° 12 pour fixer le support au mur et utilisez les cales d'ancrage de $\frac{3}{8}$ po (10) pour fixer le support au plancher. Vérifiez que les vis pénètrent dans les poteaux muraux ou la plaque murale d'une distance d'au moins $\frac{3}{4}$ po (19). Reportez-vous à l'illustration ci-dessous.



Plancher en bois.

Plancher en béton.

INSTALLATION DE LA CALE D'ANCRAGE POUR BÉTON :

- 1) Percez un trou de $\frac{3}{16}$ po (10) diamètre de toute profondeur excédant le noyage minimal. Nettoyez le trou ou continuez à percer plus profondément pour accommoder les fines de perçage.
- 2) Assemblez la rondelle et l'écrou à égalité avec l'extrémité de la cale d'ancrage pour protéger les filets. Enfoncez la cale d'ancrage dans le matériau à fixer jusqu'à ce que la rondelle soit à égalité avec la surface du matériau.
- 3) Ouvrez la cale d'ancrage en serrant l'écrou de trois à cinq tours au-delà de la position serrée à la main ou un couple de 25 pi-lb (3,4 kg-m).

⚠ AVERTISSEMENT

Vérifiez qu'il n'y ait pas de fils électriques ou de plomberie dans la zone qui pourraient être pénétrés par les vis.

⚠ MISE EN GARDE

Portez toujours des lunettes de sécurité et utilisez d'autres dispositifs ou vêtements de protection nécessaires lors de l'installation ou du travail avec des dispositifs d'ancrage.

Il n'est pas recommandé d'utiliser des dispositifs d'ancrage dans de la maçonnerie légère comme des blocs ou de la brique, ou dans du nouveau béton qui n'a pas eu assez de temps pour sécher. L'utilisation de forets-alésoirs n'est pas recommandée pour percer les trous des cales d'ancrage.

Mise en place

▲ MISE EN GARDE

Avant de mettre l'unité en place, sécurisez les portes et les tiroirs en position fermée et protégez tout plancher fini.

Utilisez un chariot à appareil pour déplacer l'unité près de l'ouverture.

Si l'unité a été posée sur le dos ou le côté, elle doit être mise debout pendant au moins 24 heures avant de relier l'alimentation.

Branchez le cordon d'alimentation dans une prise mise à la terre et roulez l'unité en place. Vérifiez que le support anti-basculement est correctement enclenché.

Tuyau d'alimentation en eau

Approximativement 3 po (0,9 m) de tube en plastique de 1/4 po (6) est relié à l'unité au moyen d'une connexion de compression pré-assemblée de 1/4 po (6) sous l'unité. La trousse de connexion du raccord du tuyau d'alimentation d'eau, fournie avec l'unité, comprend un raccord d'union de compression de 1/4 po (6) pour relier jusqu'au tuyau d'alimentation d'eau de la résidence.

Purgez le tuyau d'alimentation en eau avant d'effectuer la dernière connexion vers l'unité. Ceci éliminera tous les débris qui pourraient se trouver dans le tube suite à l'installation du nouveau tuyau d'alimentation en eau.

Placez l'écrou et le manchon sur le tuyau d'alimentation en eau et fixez à la connexion à l'extrémité du tube. Ne serrez pas trop. Vérifiez que tous les raccords du tuyau d'alimentation en eau n'aient pas de fuites. Vérifiez que la cuvette d'égouttement puisse être installée et retirée sans interférence de la part du tuyau d'alimentation en eau.

REMARQUE IMPORTANTE : si un système à osmose inverse est utilisé, il est recommandé que le système de filtration d'eau soit contourné en retirant le filtre.

REMARQUE IMPORTANTE : les tuyaux d'alimentation en eau ne doivent pas être exposés au gel.

Alignement

NIVELLEMENT

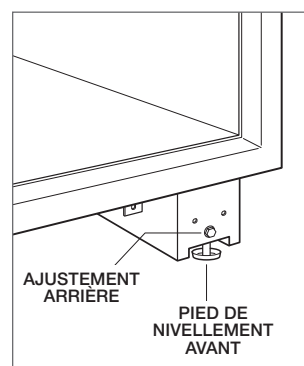
Une fois l'unité en position, tournez les pieds de nivellement avant dans le sens horaire pour régler la hauteur. Le réglage de la hauteur arrière peut être effectué à partir de l'avant de la base à roulettes. Au moyen d'une douille de 3/8 po (10), tournez le boulon hexagonal de 3/8 po (10) dans le sens horaire pour relever l'unité ou dans le sens antihoraire pour l'abaisser. Utilisez le réglage de couple le plus bas lorsque vous utilisez une perceuse électrique. Ne tournez pas les pieds de nivellement arrière à la main. Reportez-vous à l'illustration ci-dessous.

Lorsque l'unité est correctement mise au niveau, des réglages à la porte et au tiroir ne seront probablement pas nécessaires.

REMARQUE IMPORTANTE : nivelez l'unité en fonction du plancher, pas des armoires environnantes. Cela pourrait affecter le fonctionnement de l'unité, comme la fermeture de la porte.

▲ AVERTISSEMENT

Afin de réduire le risque de basculement vers l'avant de l'unité, les pieds de nivellement avant doivent être en contact avec le sol.



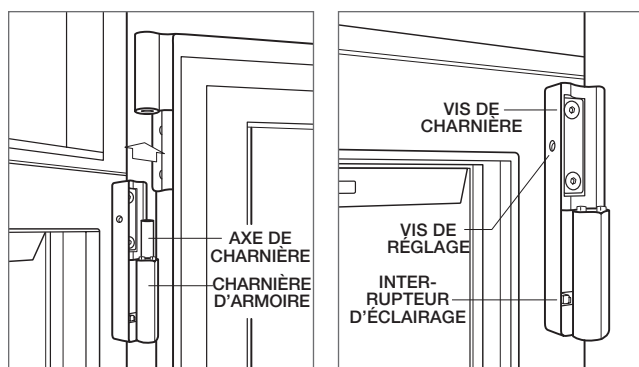
Nivellement.

Alignement

RÉGLAGE DE LA PORTE

Pour effectuer des réglages, retirez la porte et la butée de porte, puis desserrez légèrement les deux vis de la charnière supérieure. Utilisez la clé Allen fournie pour tourner la vis de réglage pour ajuster la charnière. Reportez-vous à l'illustration ci-dessous. Réinstallez la porte et vérifiez l'alignement. Répétez jusqu'à ce que la porte soit correctement alignée.

REMARQUE IMPORTANTE : lors du réglage des portes, vérifiez que l'onglet de la charnière continue à enclencher l'interrupteur d'éclairage de la porte. Reportez-vous à l'illustration ci-dessous.



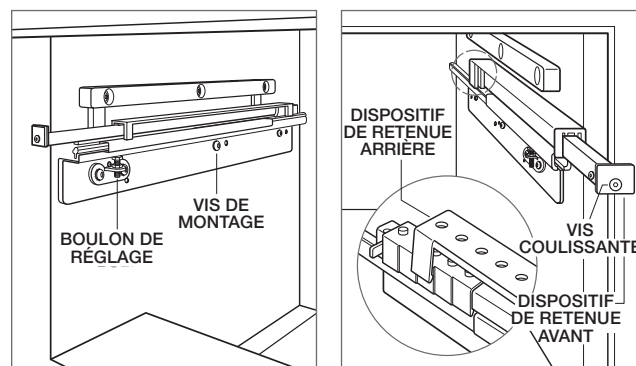
Retrait de la porte.

Réglage des charnières.

RÉGLAGE DU TIROIR

Réglage vertical | Desserrez les trois vis de montage. Reportez-vous à l'illustration ci-dessous. Au moyen d'une clé de $7/16$ po (11), tournez le boulon de réglage dans le sens horaire pour relever et dans le sens antihoraire pour abaisser. Serrez les vis, puis réinstallez le tiroir et vérifiez l'alignement. Répétez jusqu'à ce que le tiroir soit correctement aligné.

Réglage horizontal | Desserrez la vis coulissante du tiroir avant. Reportez-vous à l'illustration ci-dessous. Réglez le dispositif de retenue avant droit ou gauche, puis serrez la vis. Ensuite, soulevez le dispositif de retenue arrière et bougez vers l'avant ou l'arrière pour conserver l'alignement avec le dispositif de retenue avant. Chaque ensemble de trous règle l'alignement de $1/32$ po (0,8).



Réglage vertical

Réglage horizontal

Achèvement

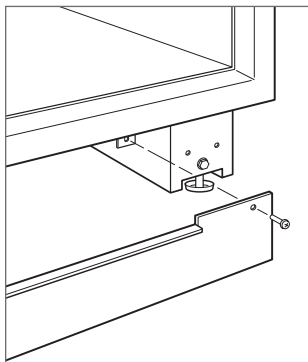
Installez l'assemblage de la grille et vérifiez son ajustement. Rebranchez le câble de réseau. Reportez-vous à la page 6. Fixez le câble de réseau à la grille au moyen des attaches de câble fournies.

Réinstallez la cuvette d'égouttement et vérifiez qu'elle se trouve à la bonne position.

Installez la plaque de protection au moyen de vis pour la fixer aux supports situés à l'intérieur de chaque base de roulettes. Reportez-vous à l'illustration ci-dessous. La plaque de protection doit pouvoir être enlevée pour toute réparation. Le plancher ne doit pas nuire à l'enlèvement.

Installez les couvercles des pieds. Retirez l'endos en papier et appuyez en position.

Coupez le courant en appuyant sur la touche POWER sur le panneau de commande.

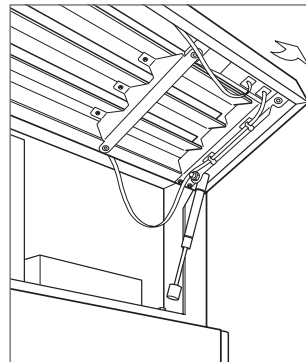


Installation de la plaque de protection.

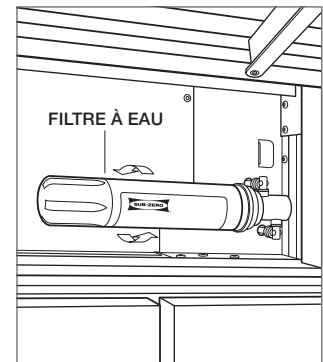
DÉRIVATION DU FILTRE À EAU

Si le système de filtration d'eau ne sera pas utilisé, il peut être mis en mode de dérivation du filtre à eau en retirant le filtre à eau. Reportez-vous à l'illustration ci-dessous. Suivez ces étapes pour retirer le filtre à eau :

- 1 Tirez le rebord inférieur de l'assemblage de la grille et inclinez le cadre de la grille vers le haut.
- 2 Pour retirer la cartouche, pivotez-la dans le sens antihoraire d'un quart de tour et tirez vers l'extérieur. Reportez-vous à l'illustration ci-dessous.



Grille ouverte.



Retrait du filtre à eau.

Achèvement

BUTÉE DE PORTE DE 90°

Les portes de tous les modèles s'ouvrent jusqu'à 135°. Pour les installations où l'ouverture de la porte doit être limitée, une trousse pour butée de porte de 90° en option est offerte par un dépositaire Sub-Zero autorisé. Pour obtenir des renseignements sur votre dépositaire local, visitez la section salle d'exposition de notre site Web, subzero.com

▲AVERTISSEMENT

Respectez toutes les lois provinciales et locales lors de l'entreposage, le recyclage ou l'élimination des réfrigérateurs et des congélateurs non utilisés.



SUB-ZERO, INC. P.O. BOX 44848 MADISON, WI 53744 SUBZERO.COM 800.222.7820

7028630 REV-A

5/2013

