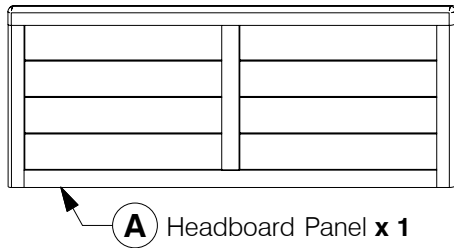


97093 Full / Queen Headboard

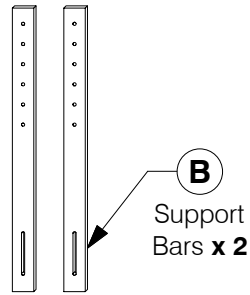
Assembly Instructions

0818

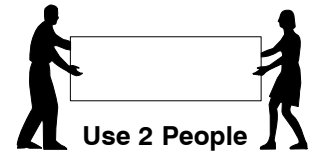
1 Parts List



A Headboard Panel x 1



B
Support
Bars x 2



2 Hardware List



1 M6 x 35mm JCB
x 4



2 Spring Washer
x 4



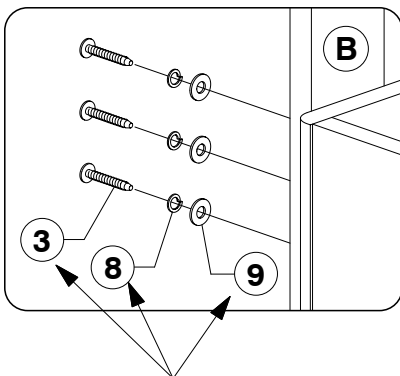
3 Flat Washer
x 4



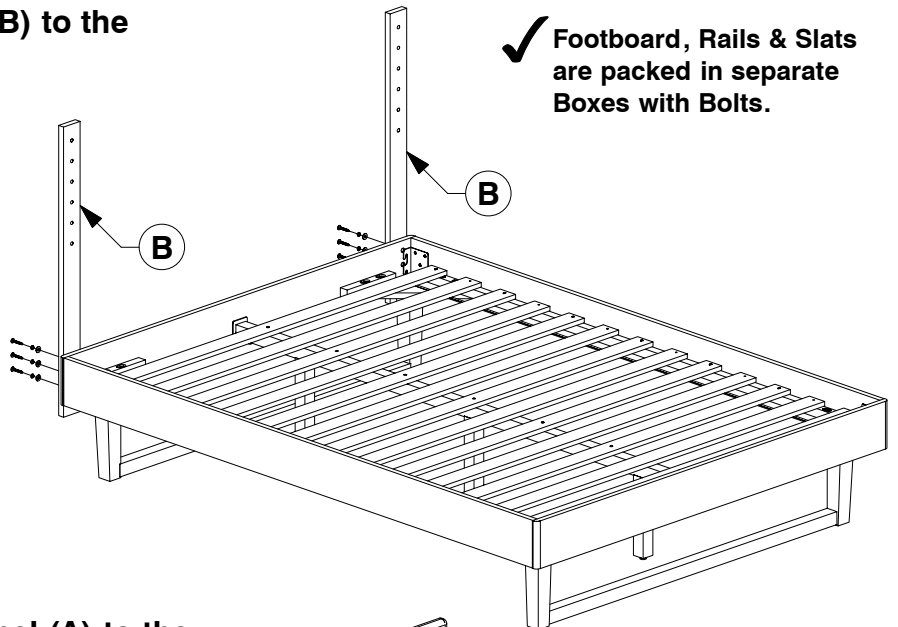
4 Allen Key
x 1

Note: Do not assemble
using power tools.
This can cause the bolts
to be overtightened

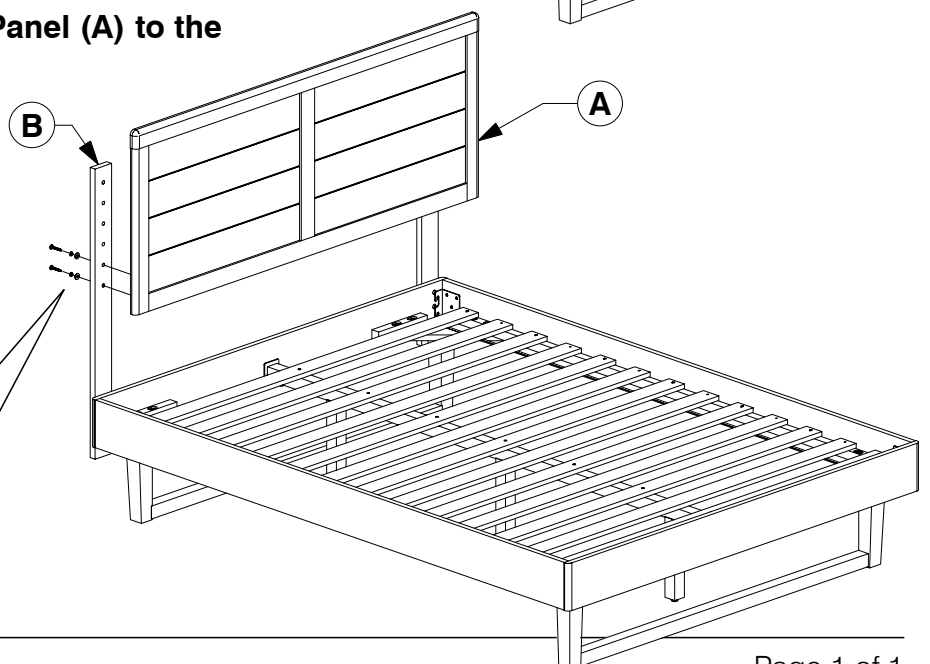
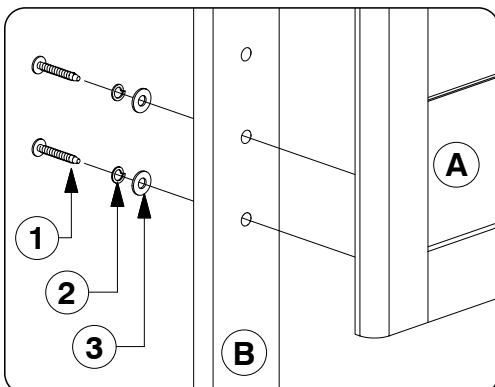
3 Assemble the Support Bars (B) to the Headboard Panel.



*Note: Bolts & Washers from
Footboard, Rails & Slats Box.*



4 Assemble the Headboard Panel (A) to the Support Bars (B).

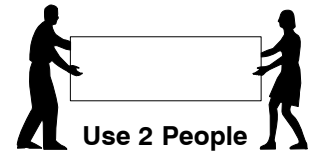
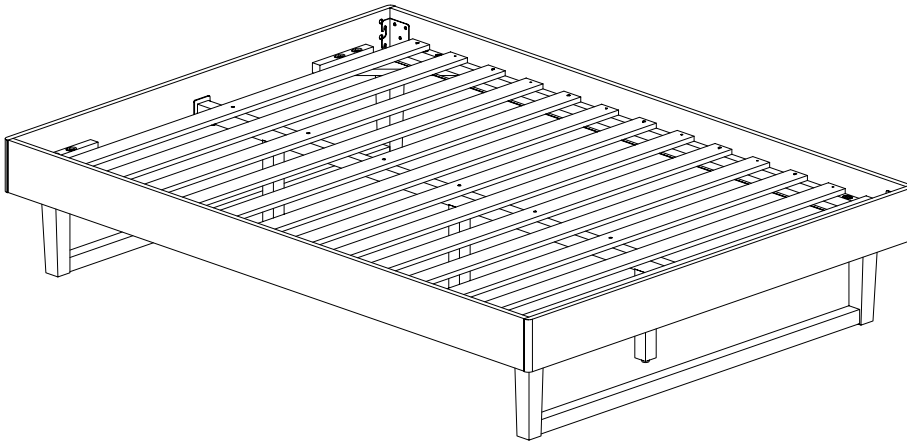


Full Bed

Assembly Instructions

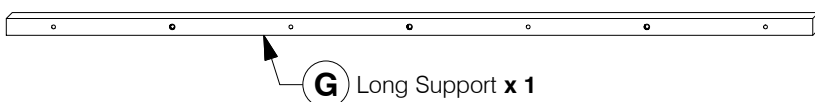
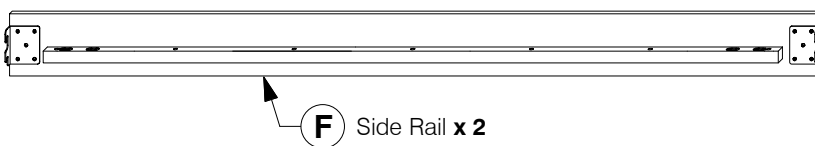
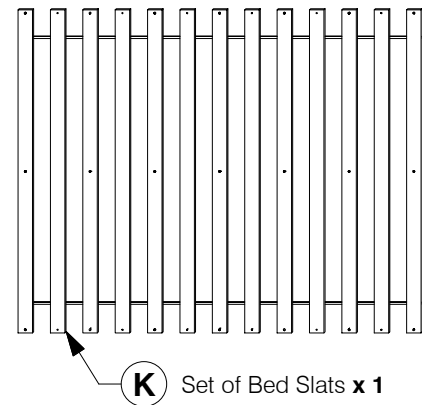
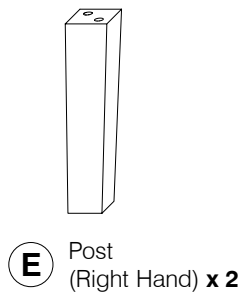
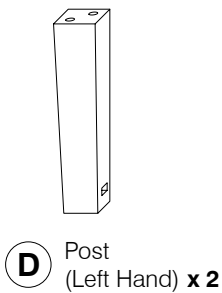
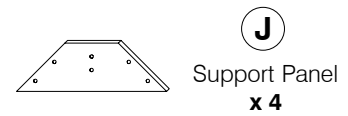
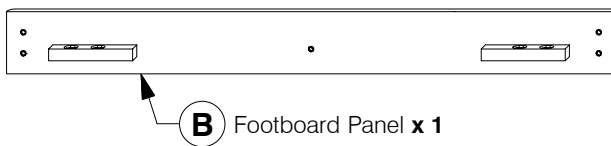
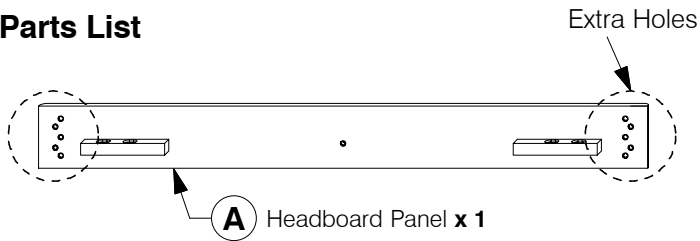
0818

1 Assembled View



Note: Do not assemble using power tools. This can cause the bolts to be overtightened

2 Parts List



Full Bed

Assembly Instructions

0818

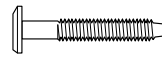
3 Hardware List



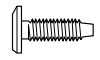
1 M6 x 100mm JCB
x 3



2 M6 x 50mm JCB
x 16



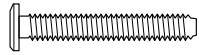
3 M6 x 40mm JCB
x 24



4 M6 x 20mm JCB
x 8



5 M6 x 15mm JCB
x 4



6 M8 x 50mm JCB
x 8



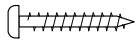
7 Barrel Nut
x 3



8 Spring Washer
x 30



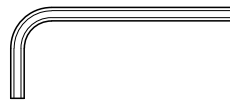
9 Flat Washer
x 30



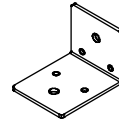
10 Wood Screw
(M4 x 32mm) x 16



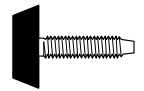
11 M4 Allen Key
x 1



12 M5 Allen Key
x 1

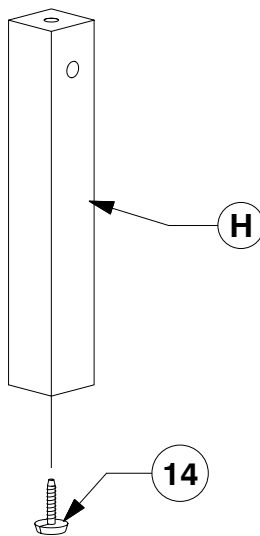


13 Center Rail
Bracket x 2

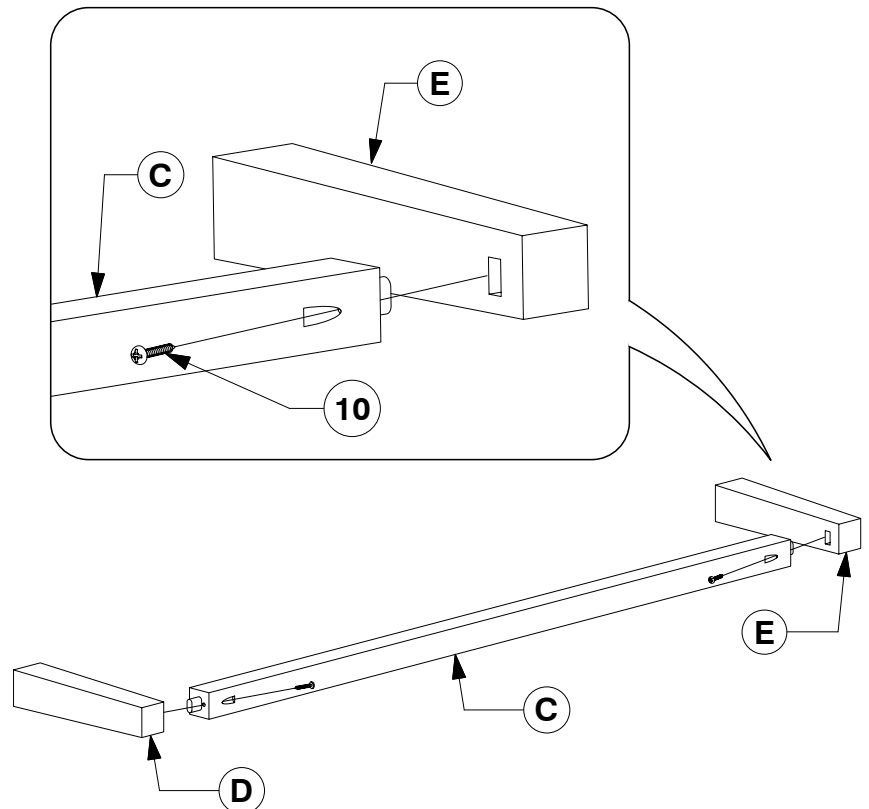


14 Adjustable
Foot x 3

4 Fix the Adjustable foot to the bottom of the Support Leg (H).



5 Fit the Lower Rail (C) to the Post (D & E).

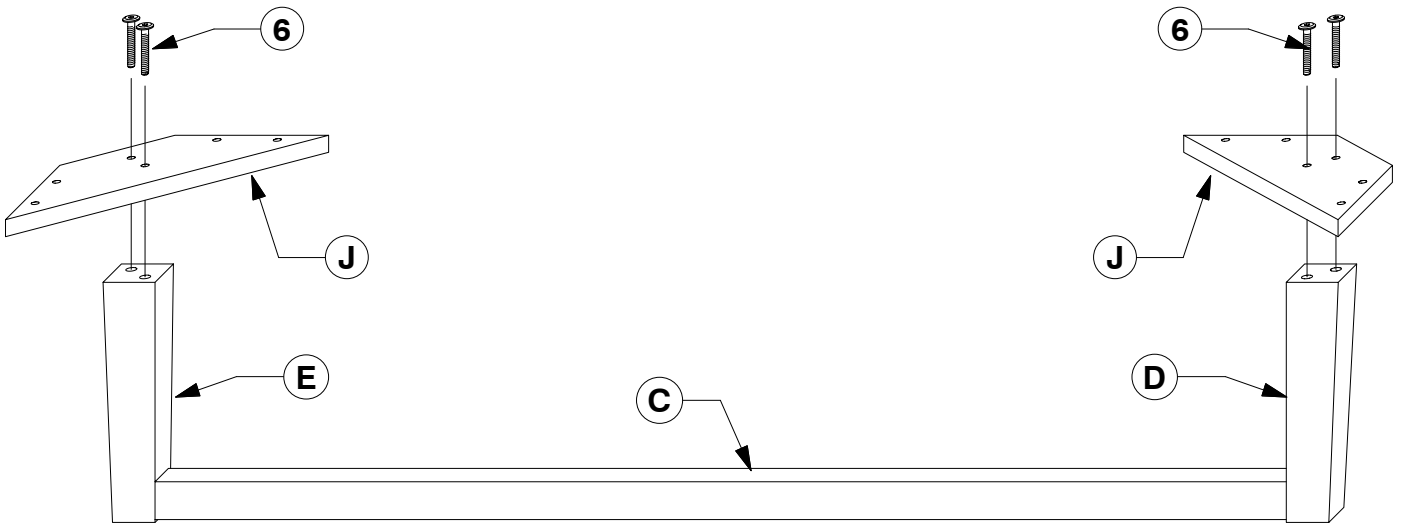


Full Bed

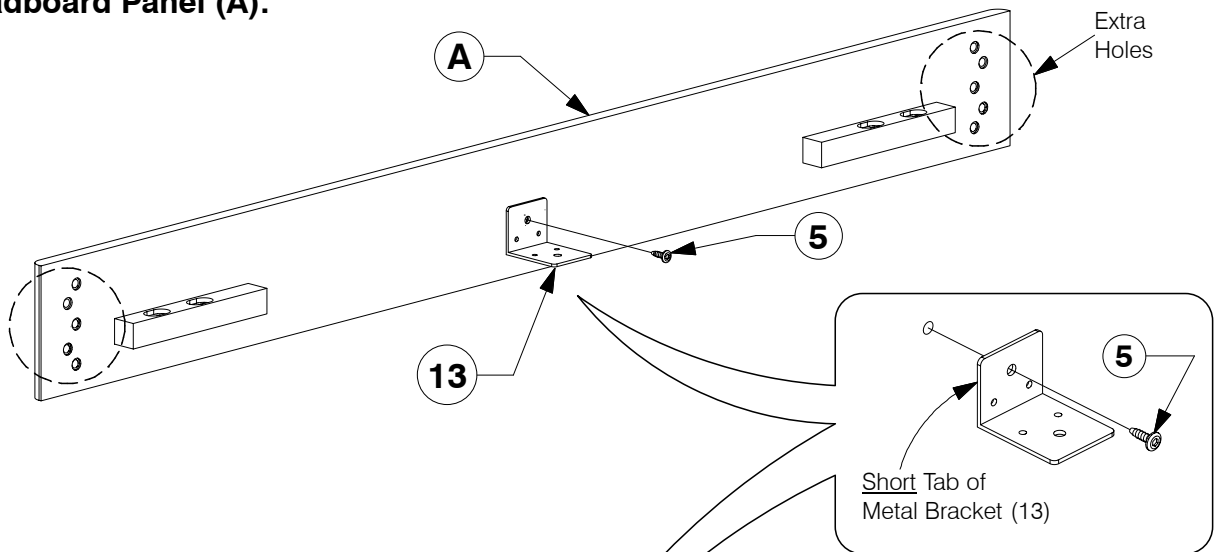
Assembly Instructions

0818

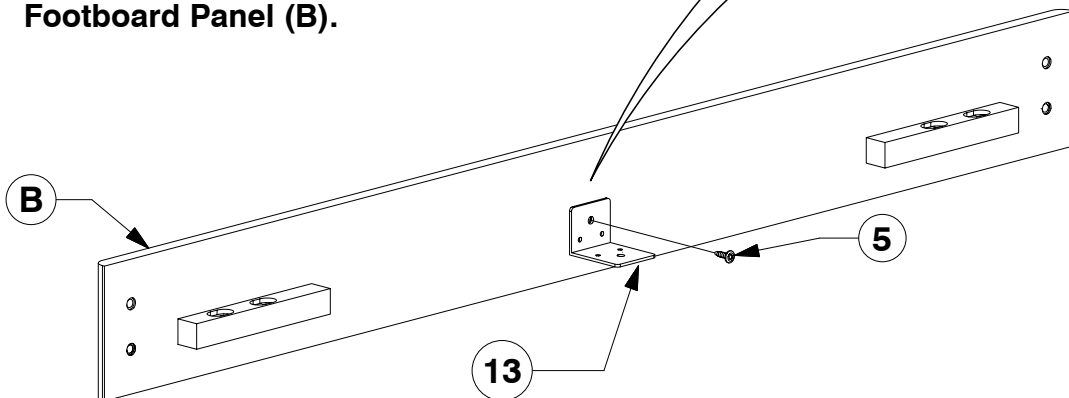
- 6** Assemble the assembled Post (D & E) & Lower Rail (C) to the Support Panel (J).



- 7** Fit the Center Rail Bracket to the Headboard Panel (A).



- 8** Fit the Center Rail Bracket to the Footboard Panel (B).

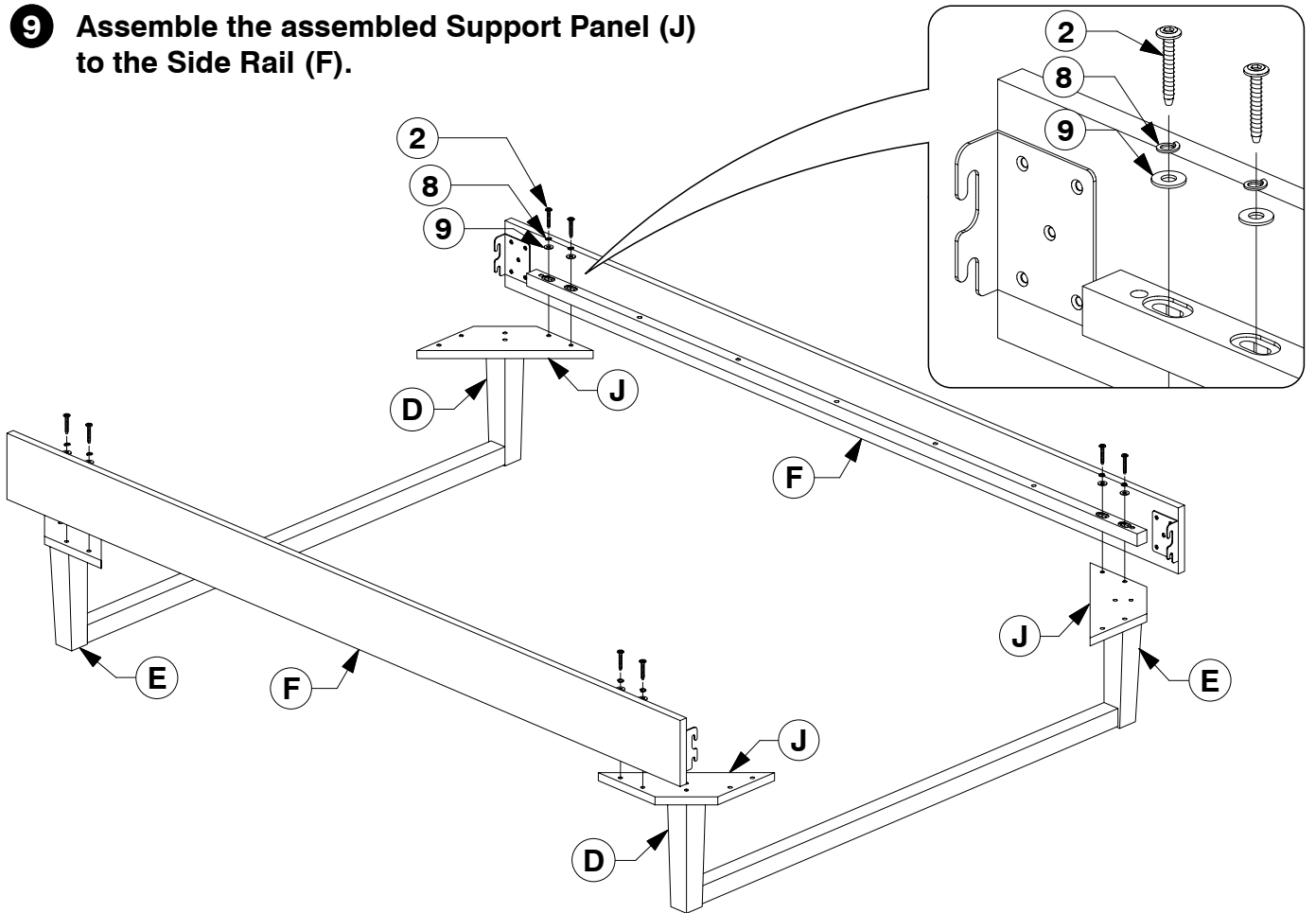


Full Bed

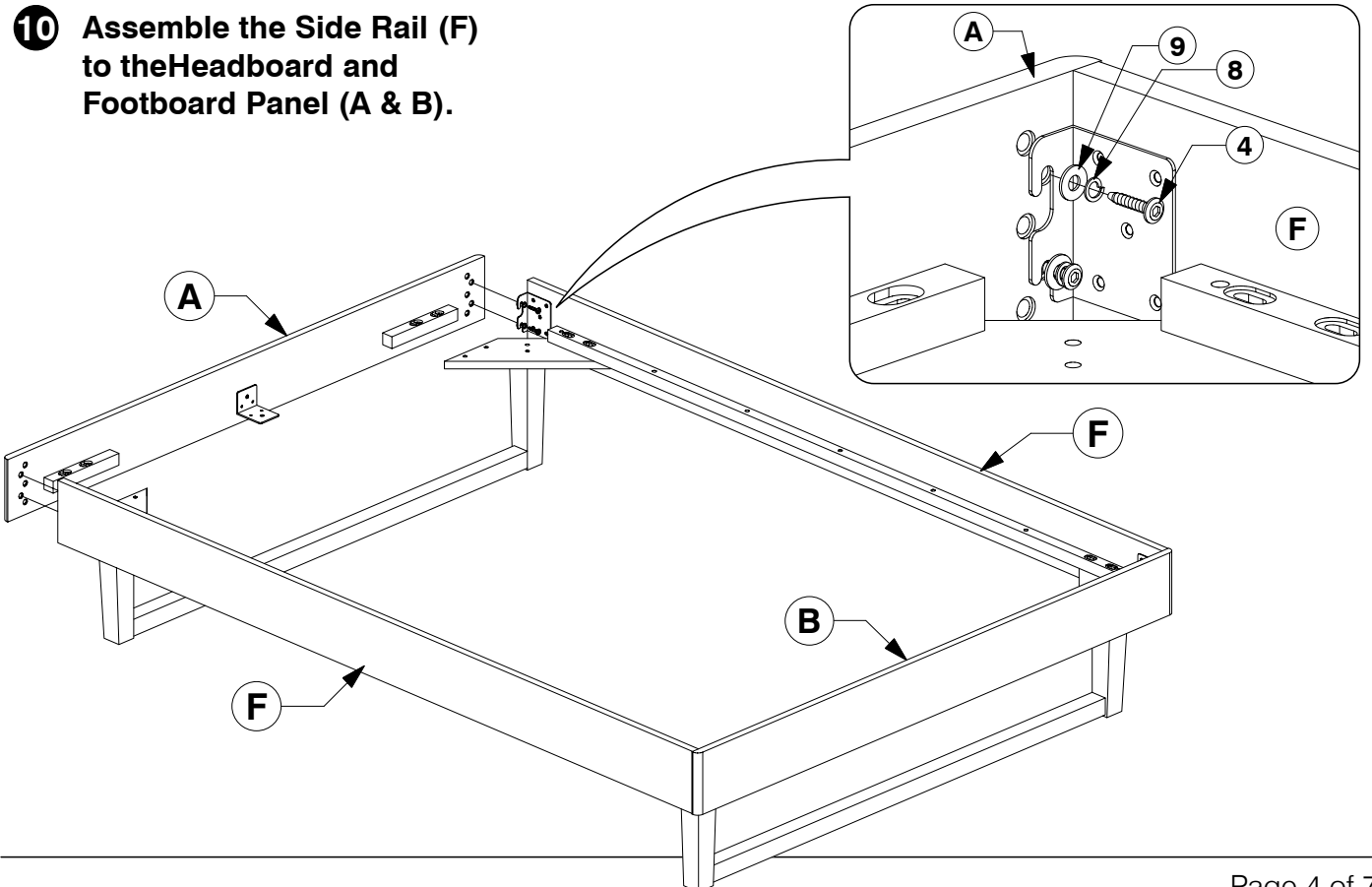
Assembly Instructions

0818

- 9** Assemble the assembled Support Panel (J) to the Side Rail (F).



- 10** Assemble the Side Rail (F) to the Headboard and Footboard Panel (A & B).

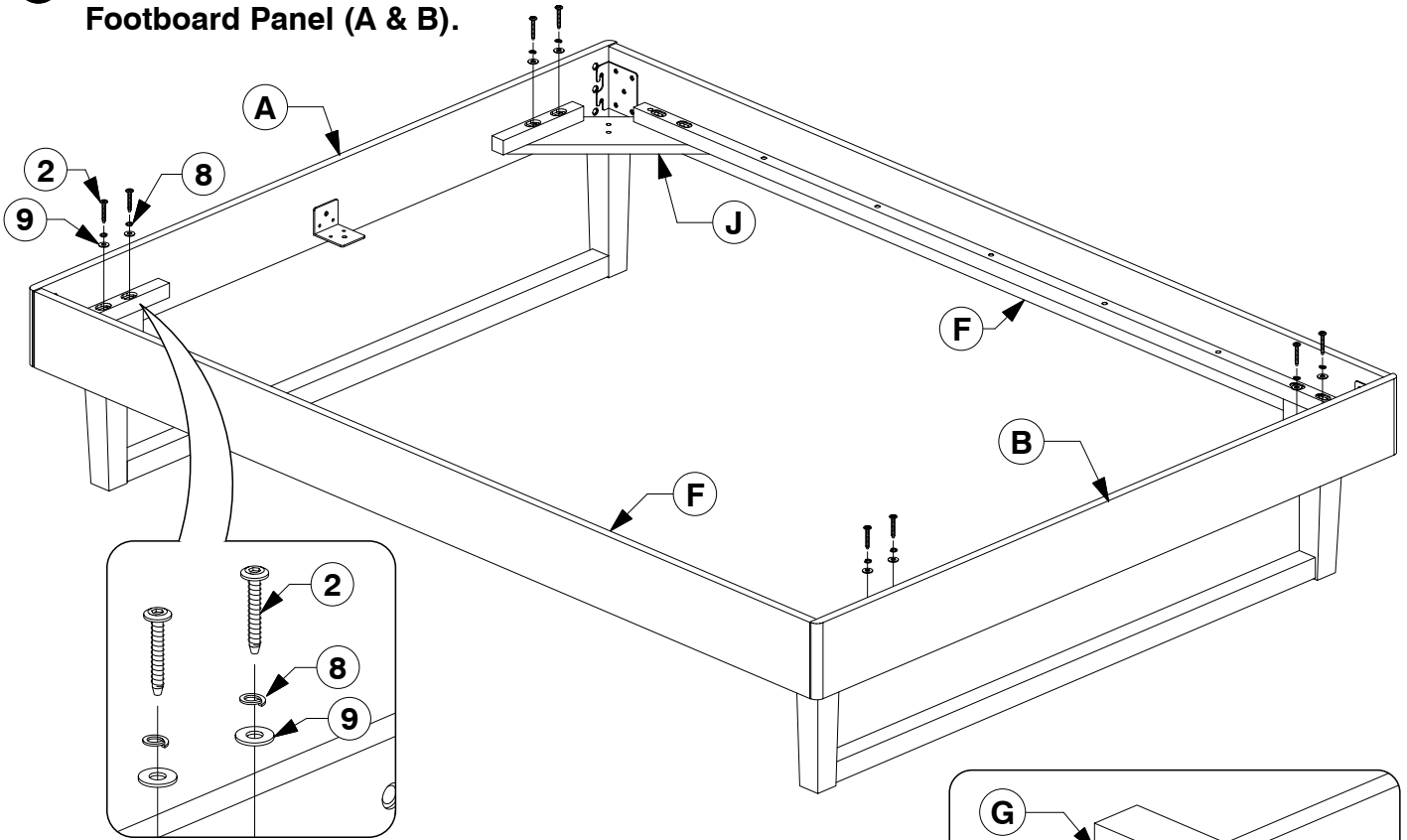


Full Bed

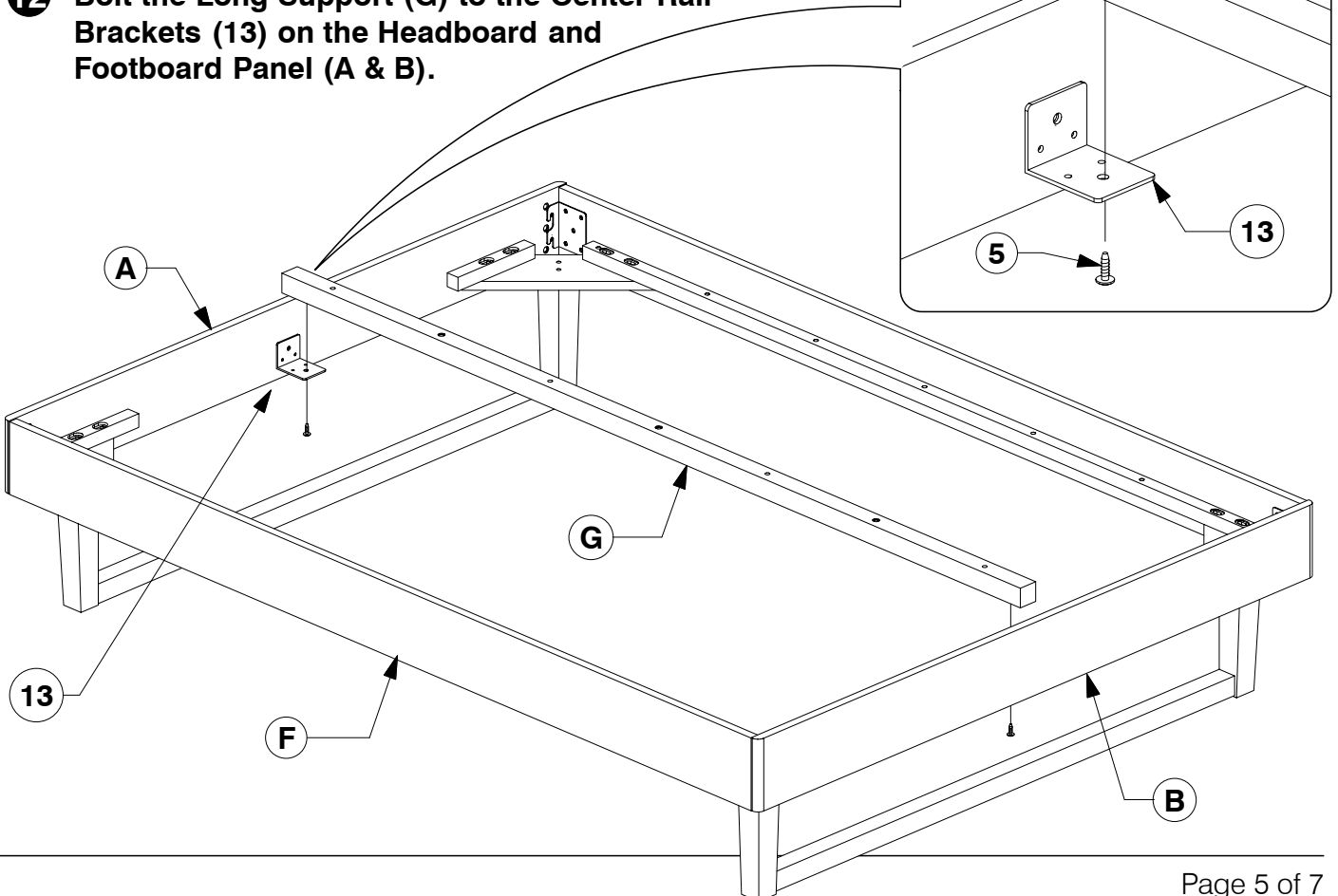
Assembly Instructions

0818

- 11** Bolt the Support Panel (J) to the Headboard and Footboard Panel (A & B).



- 12** Bolt the Long Support (G) to the Center Rail Brackets (13) on the Headboard and Footboard Panel (A & B).

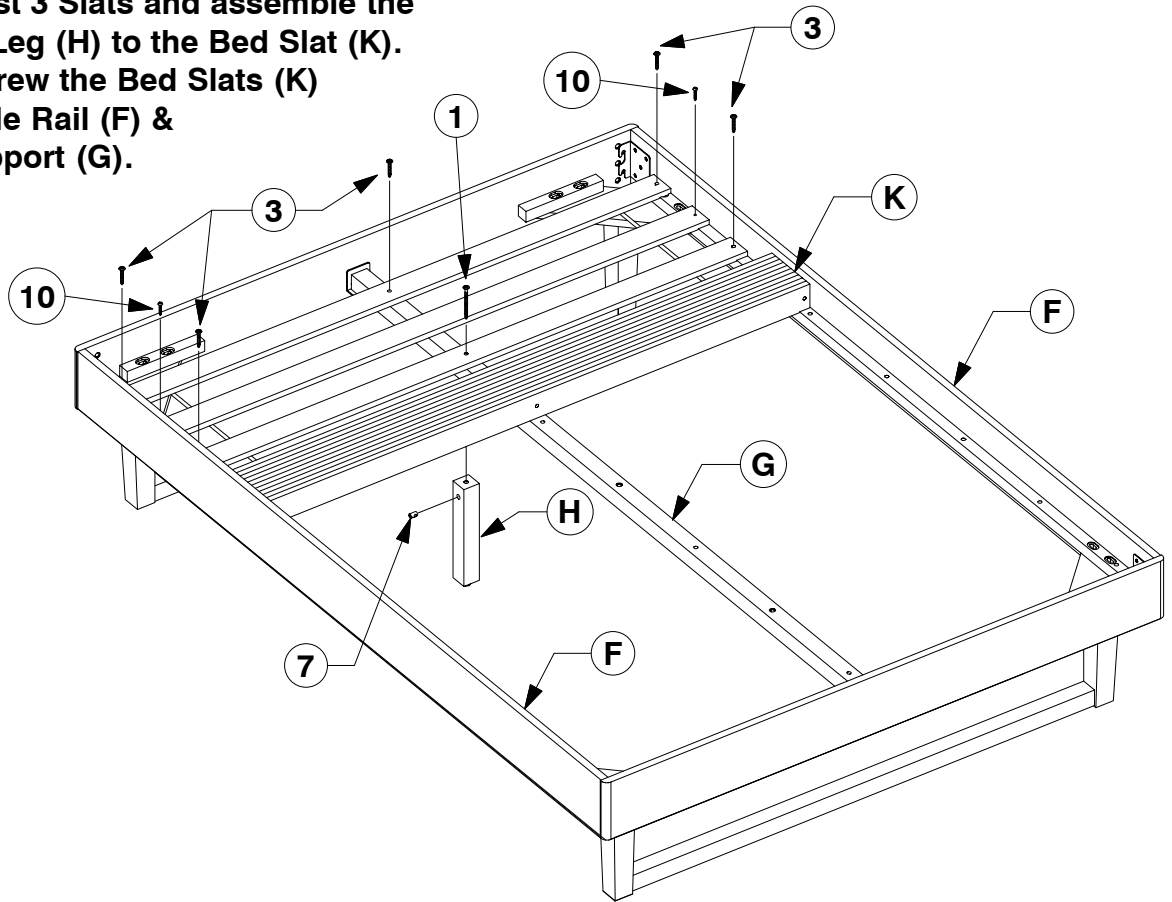


Full Bed

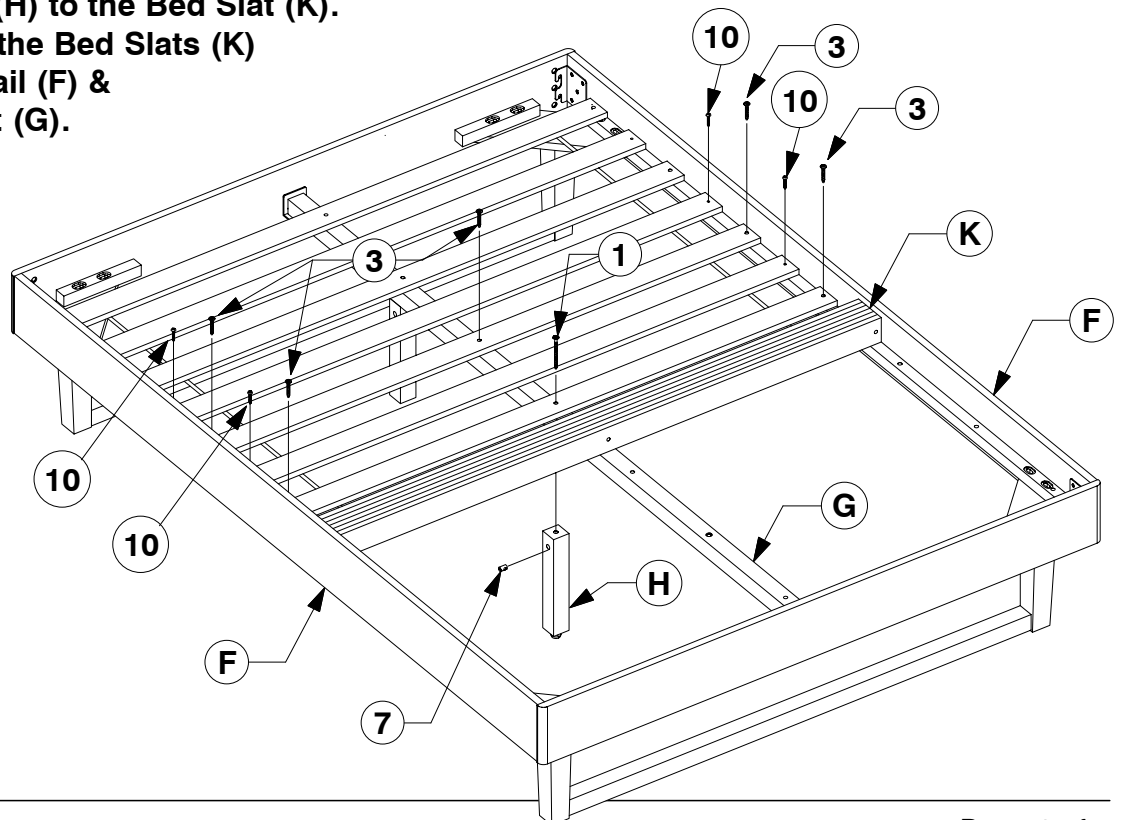
Assembly Instructions

0818

- 13** Fit the first 3 Slats and assemble the Support Leg (H) to the Bed Slat (K). Bolt & screw the Bed Slats (K) to the Side Rail (F) & Long Support (G).



- 14** Fit the other Slats out and assemble the Support Leg (H) to the Bed Slat (K). Bolt & screw the Bed Slats (K) to the Side Rail (F) & Long Support (G).

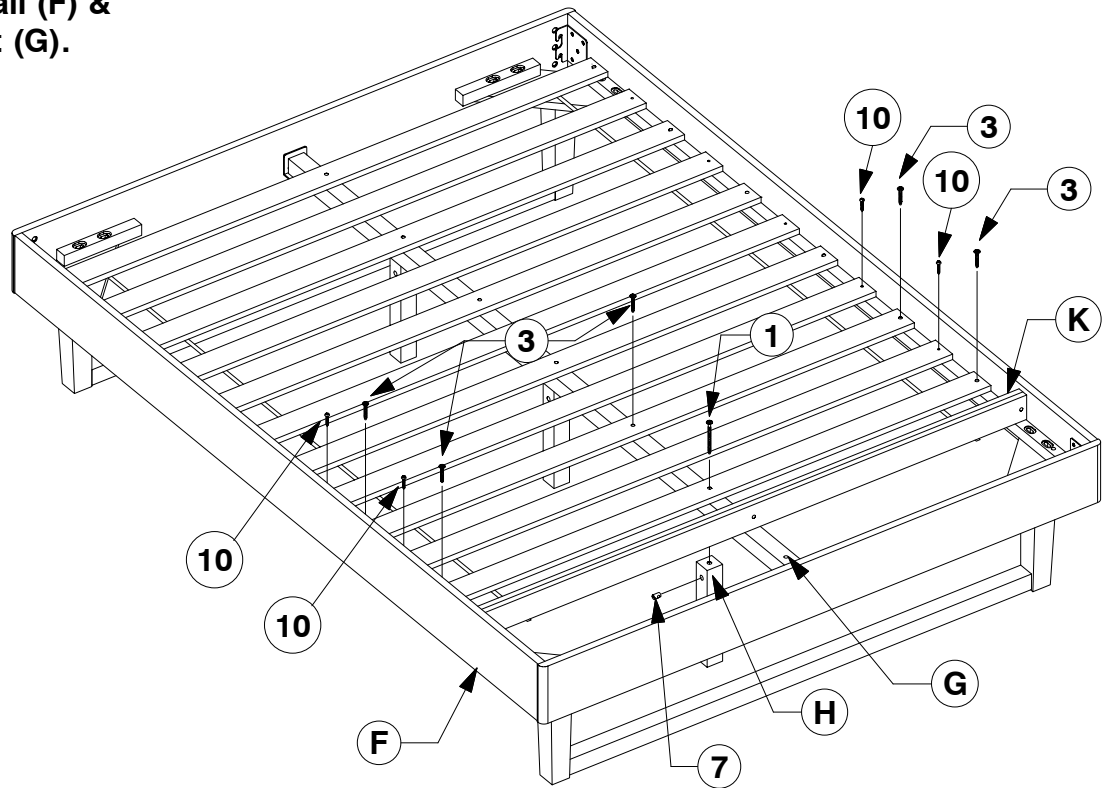


Full Bed

Assembly Instructions

0818

- 15** Fit the other Slats out and assemble the Support Leg (H) to the Bed Slat (K). Bolt & screw the Bed Slats (K) to the Side Rail (F) & Long Support (G).



- 16** Bolt & screw the remaining Bed Slats (K) to the Side Rail (F).

