

24" Counter-Depth Bottom-Freezer

800 Series – White B10CB80NVW



BOSCH
Invented for life



B10CB80NVW
White Glass

The white glass refrigerator uses tempered glass to provide durability and enhance the design style of any kitchen.

Features & Benefits

ENERGY STAR® qualified for energy efficiency.

The LED lighting shines exceptionally bright and saves energy.

Ideal for compact kitchen layouts in metropolitan areas.

The HydroFresh drawer keeps fruit and vegetables fresh longer.

Use the wine rack to store your favorite wine bottles.

General Properties	
Reversible door hinge	Yes
Water filter	No
Lighting	LED
Defrost process refrigerator section	Frost-free
Number of shelves – refrigerator	3
Adjustable shelves – refrigerator	2
Shelf material – refrigerator	Tempered glass
Type of shelves – refrigerator	Spill-proof glass
Door storage bins	3
Humidity control drawer	1
Defrost process freezer section	Automatic
Number of drawers – freezer	3
Adjustable shelves – freezer	N/A
Shelf material – freezer	Metal
Type of shelves – freezer	Wire
Ice maker	No
Quick ice	N/A
Capacity	
Total unit capacity (cu. ft.) – AHAM	10 cu. ft
Refrigerator capacity (cu. ft.)	7.5 cu. ft
Freezer capacity (cu. ft.)	2.5 cu. ft.

Technical Details	
Current (A)	10 A
Volts (V)	110-120 V
Frequency (Hz)	60 Hz
Power cord length (in.)	94"
Plug type	120V-3 prong
Dimensions & Weight	
Appliance dimensions (H x W x D) (in.)	72 7/8" x 23 1/2" x 25 3/4"
Required cutout size (H x W x D) (in.)	73 1/2" x 24 1/8" x 22"
Net weight (lbs)	191.8 lbs
Efficiency	
ENERGY STAR® qualified	Yes
Energy consumption (kWh/yr)	435 kWh
Accessories—Included	
Included	Wine rack, ice tray, egg tray, bottle holder



Accessories: To purchase Bosch accessories, cleaners & parts please visit www.bosch-home.com/us/store or call 1-800-944-2904 (Mon to Fri 5 am to 6 pm PST, Sat 6 am to 3 pm PST).

Notes: All height, width and depth dimensions are shown in inches. BSH reserves the absolute and unrestricted right to change product materials and specifications, at any time, without notice. Consult the product's installation instructions for final dimensional data and other details prior to making cutout.

Warranties: Please see Use & Care manual or Bosch website for statement of limited warranty.

For more information on our entire line of products, go to www.bosch-home.com/us or call 1-800-944-2904

© BSH Home Appliances Corporation. All rights reserved. Bosch is a registered trademark of Robert Bosch GmbH.

24" Counter-Depth Bottom-Freezer

800 Series – White B10CB80NVW

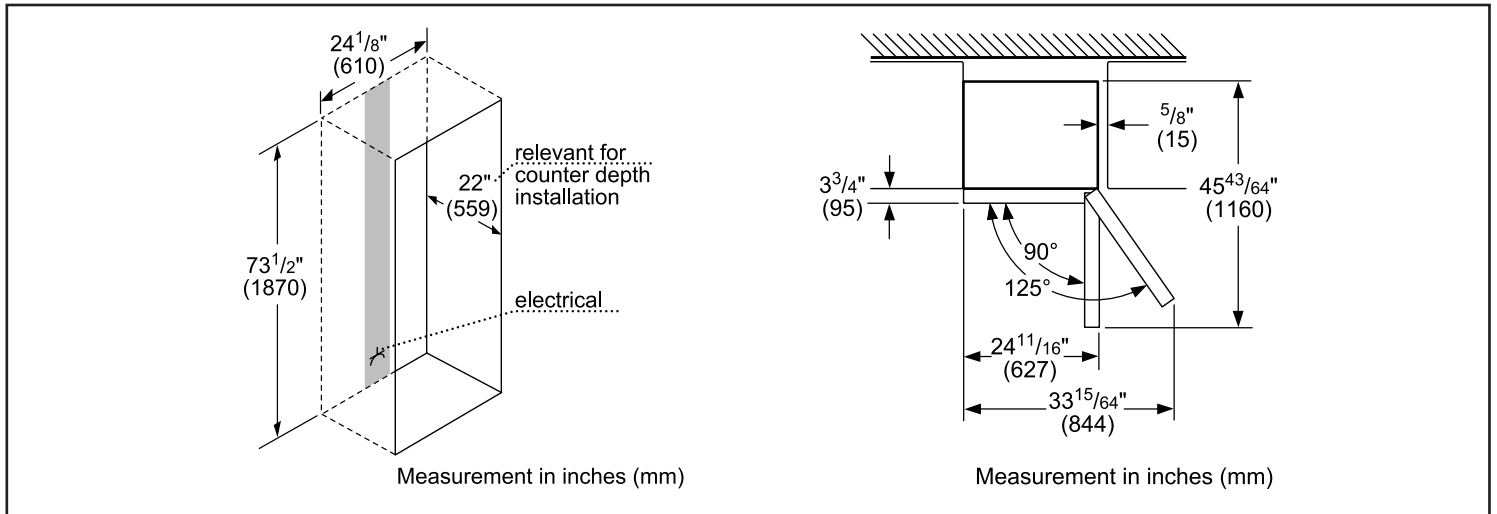
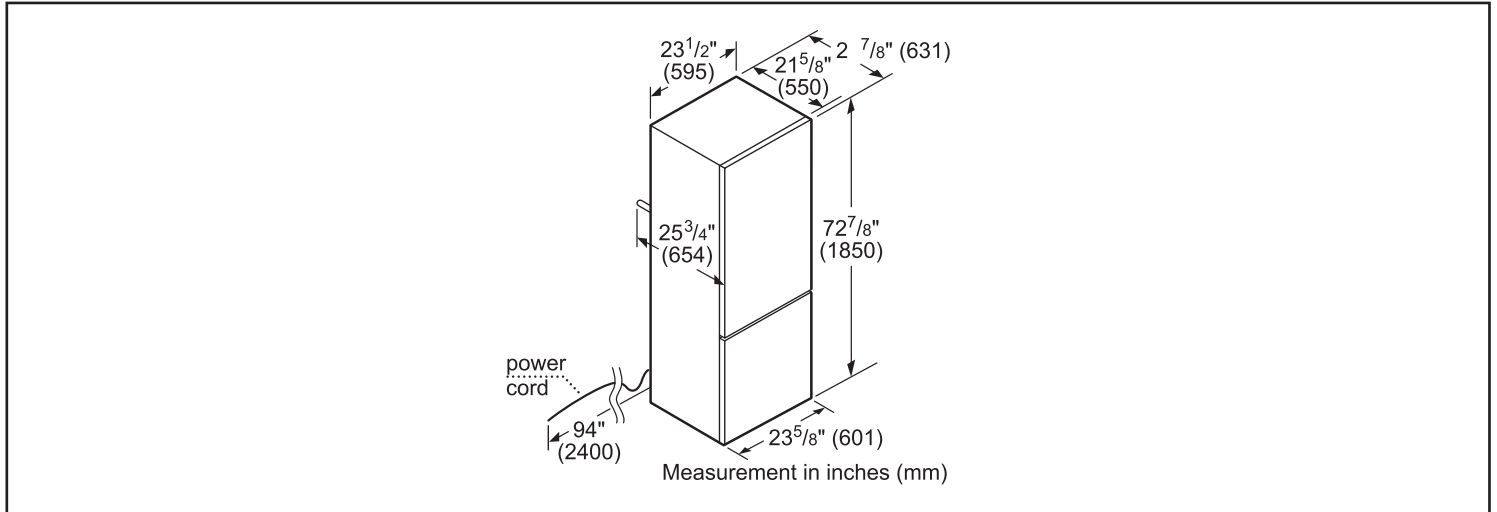


BOSCH

Invented for life



Installation Details



Accessories: To purchase Bosch accessories, cleaners & parts please visit www.bosch-home.com/us/store or call 1-800-944-2904 (Mon to Fri 5 am to 6 pm PST, Sat 6 am to 3 pm PST).

Notes: All height, width and depth dimensions are shown in inches. BSH reserves the absolute and unrestricted right to change product materials and specifications, at any time, without notice. Consult the product's installation instructions for final dimensional data and other details prior to making cutout.

Warranties: Please see Use & Care manual or Bosch website for statement of limited warranty.

For more information on our entire line of products, go to www.bosch-home.com/us or call 1-800-944-2904

© BSH Home Appliances Corporation. All rights reserved. Bosch is a registered trademark of Robert Bosch GmbH.