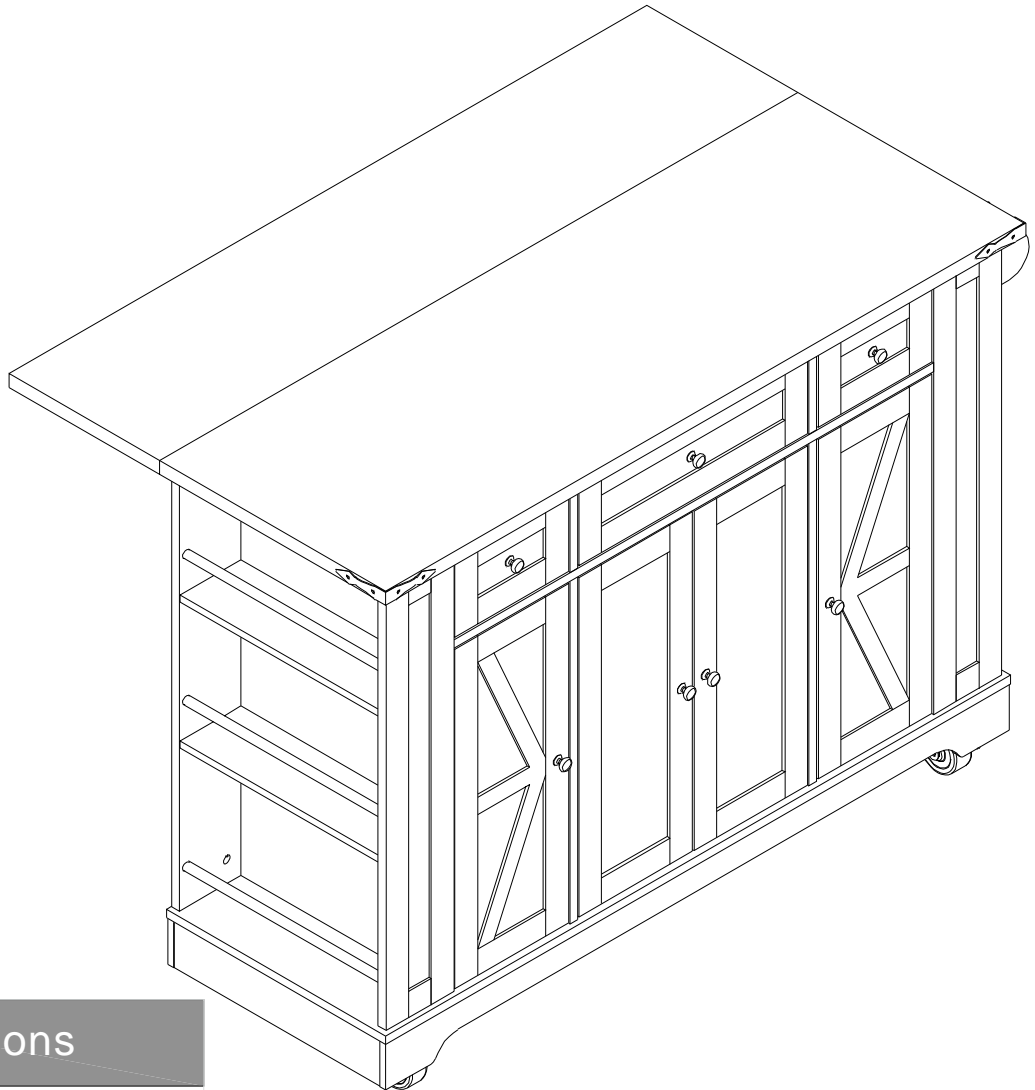


Kitchen Island Carts

Assembly Instructions -Please keep for future reference

N707P263637



Dimensions

Width-50inch

Depth-17.75inch+29.5inch

Height-36inch

Important- Please read these instructions fully before starting assembly

Issue 1 - 08/08/25



Safety and Care Advice

Important – Please read these instructions fully before starting assembly

- Check you have all the components and tools listed on the following pages.
- Remove all fittings from the plastic bags and separate them into their groups.
- Keep children and animals away from the work area, small parts could choke if swallowed.
- Make sure you have enough space to layout the parts before starting.

- During assembly do not stand or put weight on the product, this could cause damage.
- Assemble the item as close to its final position (in the same room) as possible.
- Assemble on a soft level surface to avoid damaging the unit or your floor.
- Parts of the assembly will be easier with 2 people.



- To reduce the likelihood of damaging your product please ensure that your power drill is set on a low torque setting.

Care and maintenance

- Only clean using a damp cloth and mild detergent, do not use bleach or abrasive cleaners.
- From time to time check that there are no loose screws on this unit.
- This product should not be discarded with household waste. Take to your local authority waste disposal centre.

Handy Hints

- Assemble all parts and bolts loosely during assembly, only once the product is complete should you fully tighten the bolts
- Regularly check and ensure That all bolts and fittings are tightend properly.

WARNING

In order to help prevent overturning – please follow these instructions

To help prevent product toppling over please follow the below steps:-

Use the anti tip strap or wall fixing method provided (if applicable)
Do not allow children to climb or hang on the furniture
Do not open more than one drawer at a time
Do not place heavy items in the top drawers
Do not place heavy items on top of the furniture, unless the furniture has been designed for this purpose

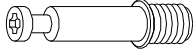


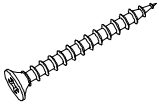

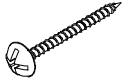




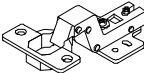
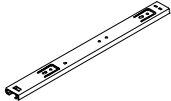

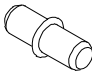



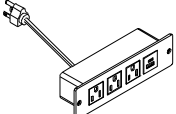


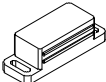
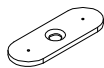




Please note that only the anti tip strap is provided.

You will need to provide wall plugs and screws applicable for your wall type

Components - Fittings

Please check you have all the panels listed below

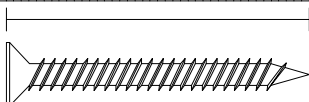
Note: The quantities below are the correct amount to complete the assembly. In some cases more fittings may be supplied than are required.

| | | | |
|---|--|--|---|
| <p>(A) </p> <p>Cam Bolt x 92+2</p> | <p>(B) </p> <p>Cam lock x 92+2</p> | <p>(C) </p> <p>6*30mm Dowel x 44+2</p> | <p>(D) </p> <p>4*35mm Screw x 30+1</p> |
| <p>(E) </p> <p>3.5*12mm Screw x 36+2</p> | <p>(F) </p> <p>4*40mm Screw x 20+1</p> | <p>(G) </p> <p>3.5*14mm Screw x 48+2</p> | <p>(H) </p> <p>3*14mm Screw x 10+1</p> |
| <p>(I) </p> <p>7*45mm Screw x 4</p> | <p>(J) </p> <p>6*15mm Screw x 4</p> | <p>(K) </p> <p>Hinge x 8</p> | <p>(L) </p> <p>Slide x 6</p> |
| <p>(M) </p> <p>Tool x 1</p> | <p>(N) </p> <p>Laminate support x 12</p> | <p>(O) </p> <p>4*10mm Bolts x 3</p> | <p>(P) </p> <p>4*18mm Bolts x 4</p> |
| <p>(Q) </p> <p>5*20mm Screw x 26</p> | <p>(R) </p> <p>Pulley x 1</p> | <p>(S) </p> <p>Handle x 7set</p> | <p>(T) </p> <p>Plastic Nail x 10</p> |
| <p>(U) </p> <p>Magnetic impact x 3</p> | <p>(V) </p> <p>Suction sheet x 4</p> | <p>(W) </p> <p>Cord Hole Cover x 1</p> | <p>(X) </p> <p>100*100mm x 2</p> |
| <p>(Y) </p> <p>3.5*14mm Screw x 8</p> | <p>(Z) </p> <p>3.5*14mm Screw x 2</p> | | |

Tools required

Ruler - Use this ruler to help correctly identify the screws

0 5 10 15 20 25 30 35 40 45 50 55 60 65 70 75 80 85 90 95 100 105 110 115 120 125 130 135 140 145 150 155 160 165 170



The screws length is measured from the head to the point (40mm screw shown).

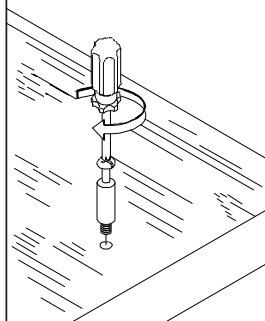
Using Camlocks

Step 1

Connect the male camlock as directed in the assembly instructions using a screwdriver.

1

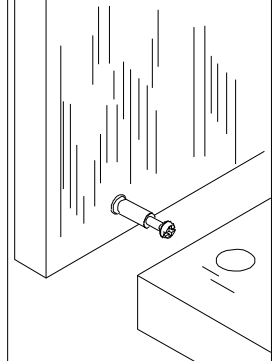
DO NOT OVER TIGHTEN.
NE PAS SERRER EXCESSIVEMENT.



Step 2

Push the male camlock into the entry hole.

2

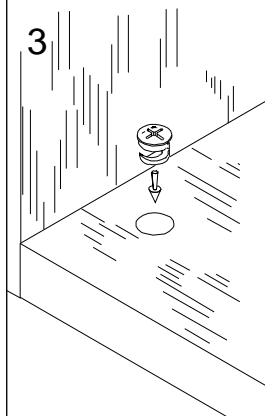


Step 3

Insert the female camlock as shown in the instruction.

Note ensure that the arrow on the top of the camlock points towards the entry hole for the male camlock.

3



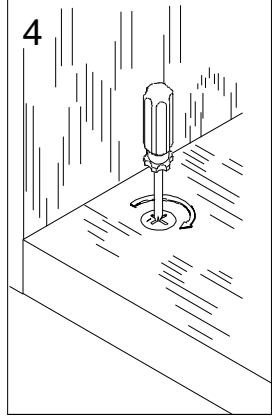
Step 4

Turn the female camlock clockwise with a screwdriver.

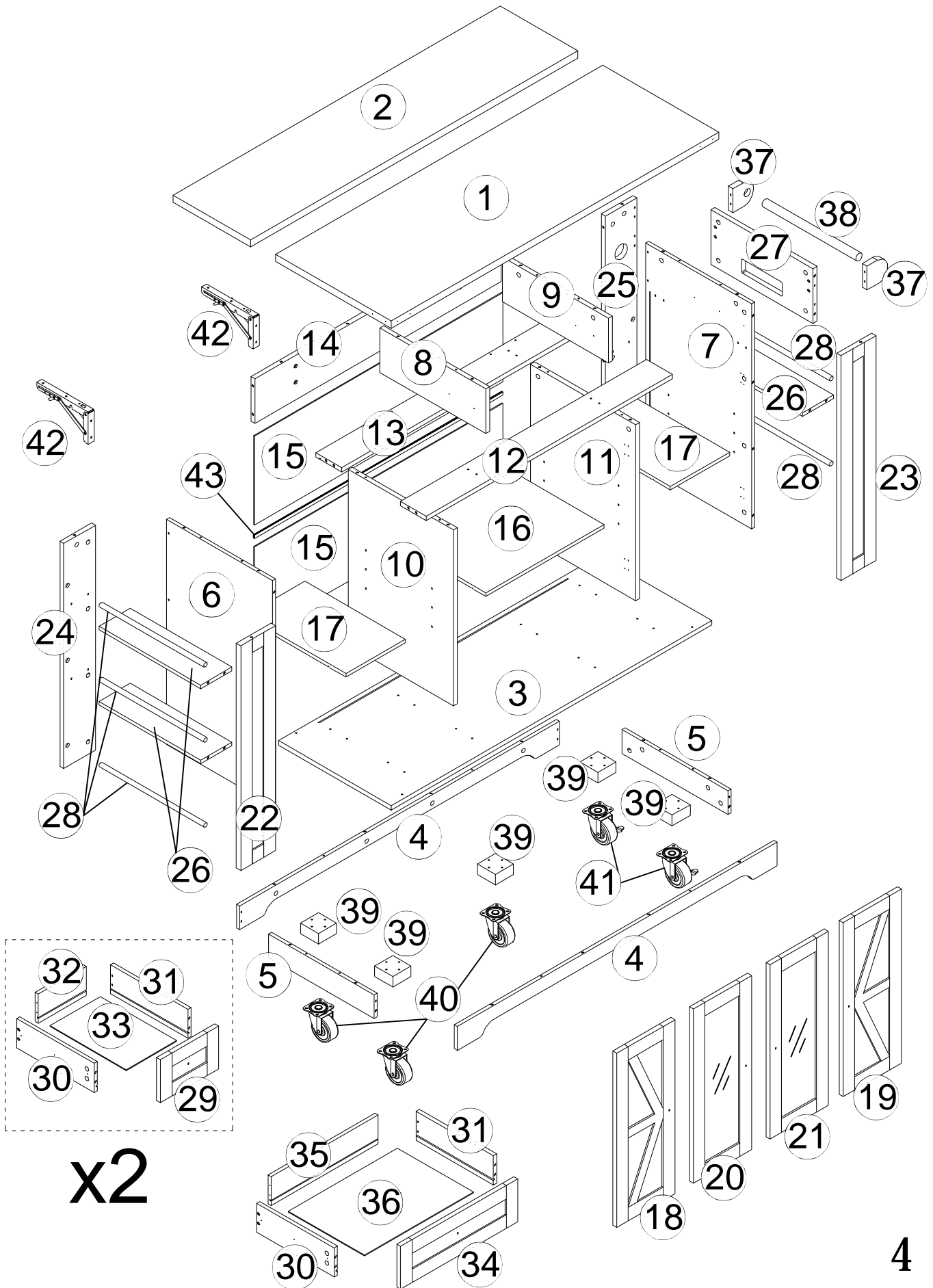
You should feel a click when the camlock is locked in place.

The joint is now secure.

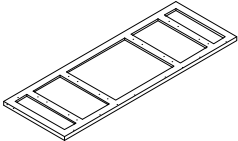
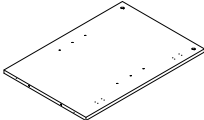
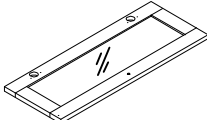
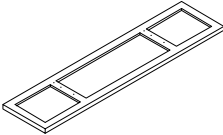
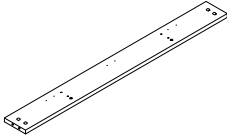
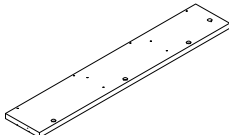
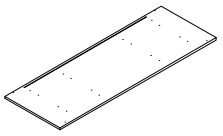
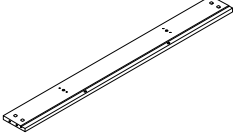
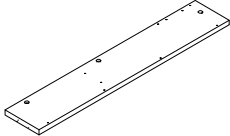
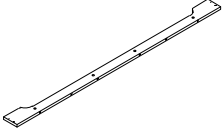
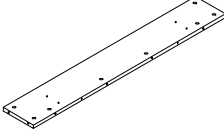
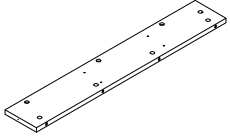
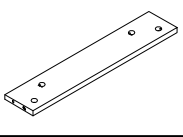
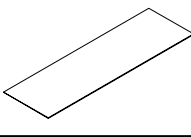
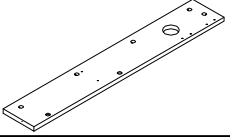
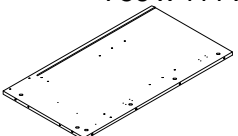
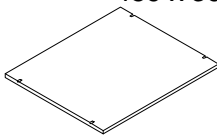
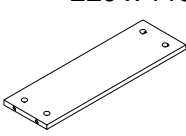
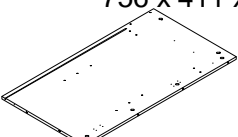
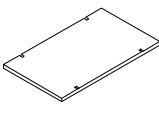
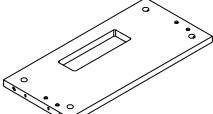
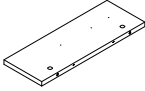
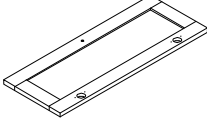
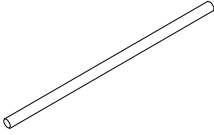
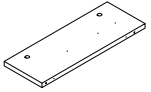
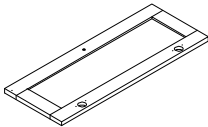
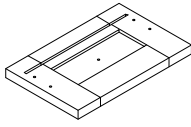
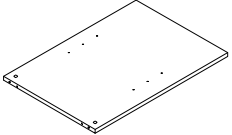
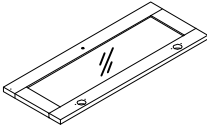
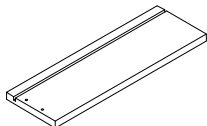
4




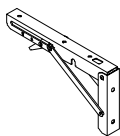


Assembly Instructions



Assembly Instructions

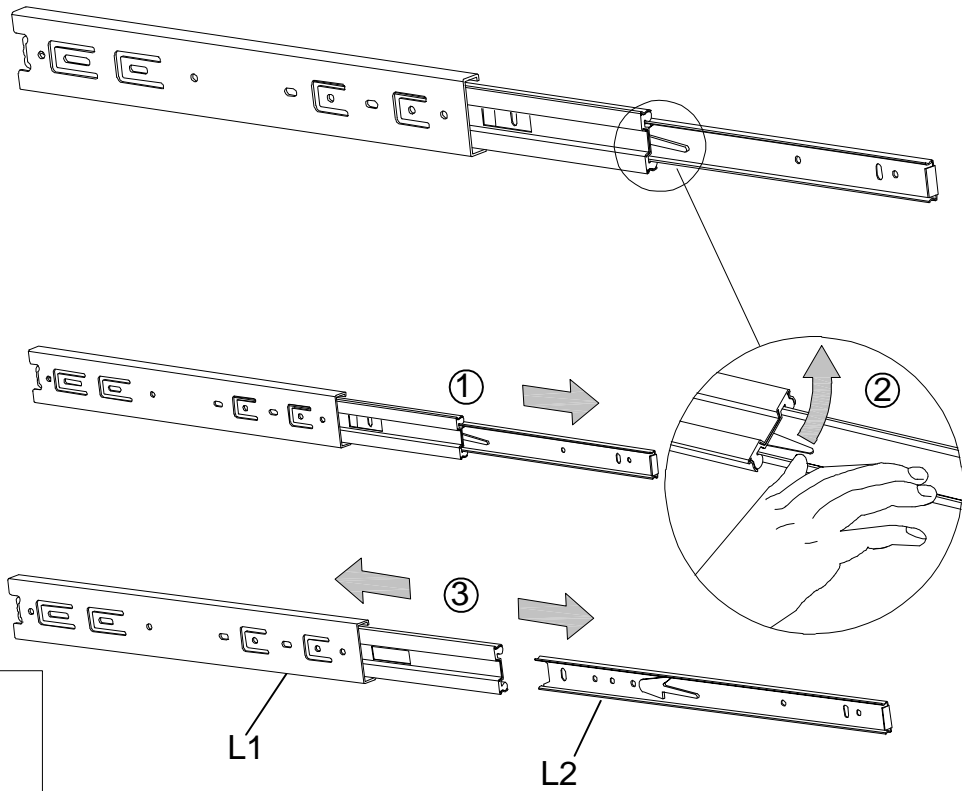
| | | |
|---|---|---|
| 1 1270 x 450 x 24 mm  1 | 11 591 x 408 x 15 mm  1 | 21 585 x 226 x 15 mm  1 |
| 2 1270 x 300 x 24 mm  1 | 12 955 x 100 x 15 mm  1 | 22 756 x 135 x 17 mm  1 |
| 3 1244 x 437 x 15 mm  1 | 13 955 x 100 x 15 mm  1 | 23 756 x 135 x 17 mm  1 |
| 4 1241 x 80 x 12 mm  2 | 14 955 x 150 x 15 mm  1 | 24 756 x 123 x 15 mm  1 |
| 5 410 x 80 x 12 mm  2 | 15 964 x 299 x 3 mm  2 | 25 756 x 123 x 15 mm  1 |
| 6 756 x 411 x 12 mm  1 | 16 459 x 390 x 12 mm  1 | 26 220 x 115 x 15 mm  3 |
| 7 756 x 411 x 12 mm  1 | 17 390 x 230 x 12 mm  2 | 27 395 x 121 x 12 mm  1 |
| 8 411 x 150 x 15 mm  1 | 18 585 x 226 x 15 mm  1 | 28 406 x 15 x 15 mm  5 |
| 9 411 x 150 x 15 mm  1 | 19 585 x 226 x 15 mm  1 | 29 226 x 144 x 15 mm  2 |
| 10 591 x 408 x 15 mm  1 | 20 585 x 226 x 15 mm  1 | 30 300 x 98 x 12 mm  3 |

Assembly Instructions

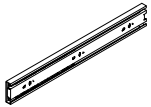
| | | | | | |
|----|---|---|----|---|---|
| 31 | 300 x 98 x 12 mm | 3 | 41 |  | 2 |
| 32 | 186 x 98 x 12 mm | 2 | 42 |  | 2 |
| 33 | 296 x 195 x 3 mm | 2 | 43 |  | 1 |
| 34 | 455 x 144 x 15 mm | 1 | | | |
| 35 | 415 x 98 x 12 mm | 1 | | | |
| 36 | 424 x 296 x 3 mm | 1 | | | |
| 37 | 80 x 80 x 18 mm | 2 | | | |
| 38 | 365 x 25 x 25 mm | 1 | | | |
| 39 | 70 x 70 x 36 mm | 5 | | | |
| 40 |  | 3 | | | |

Assembly Instructions

Step 1

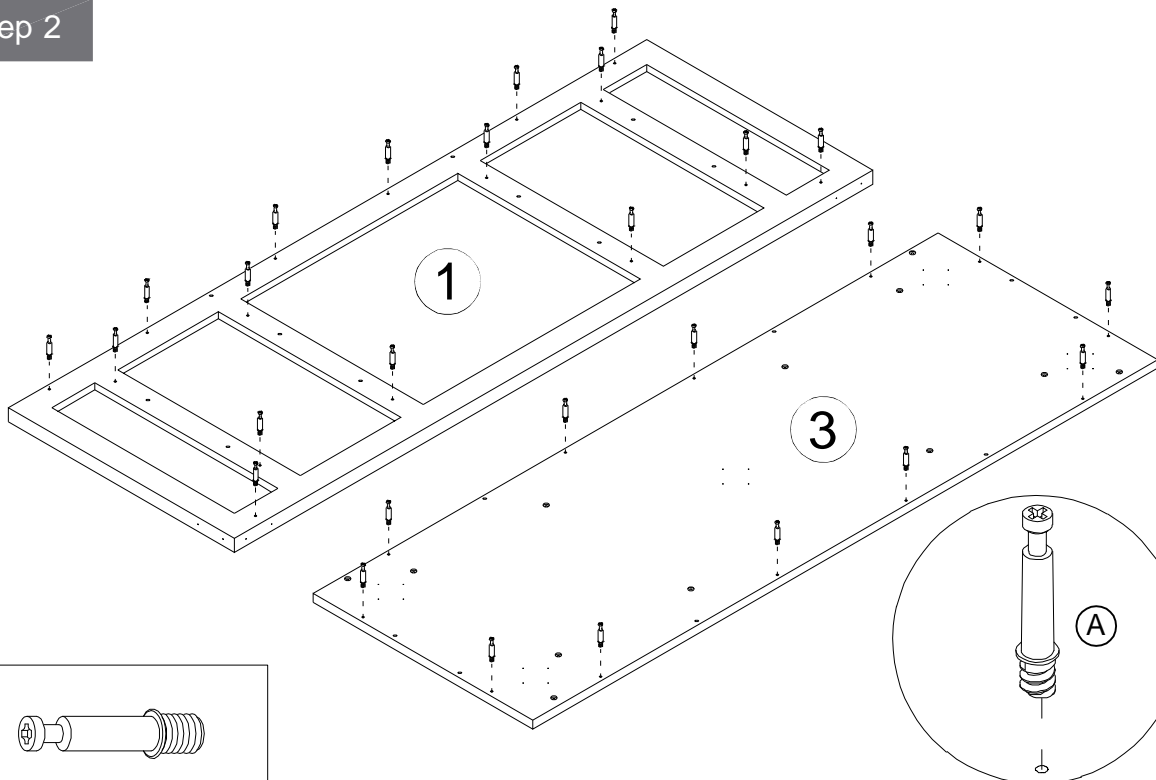


(L)



Slide x 6

Step 2



(A)

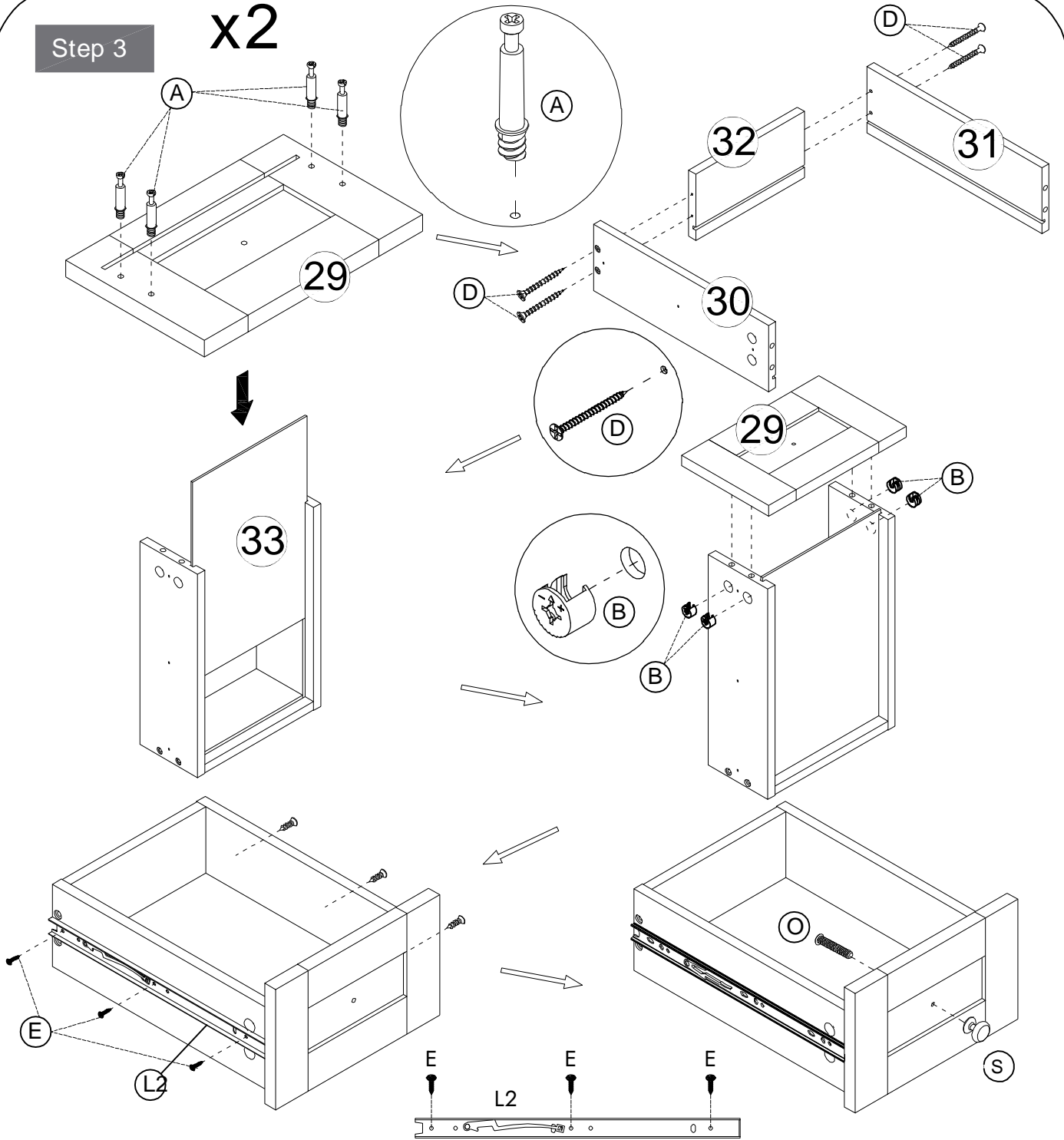




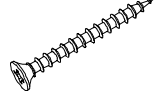
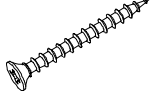

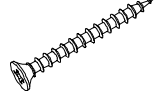

Cam Bolt x 28

Assembly Instructions

Step 3

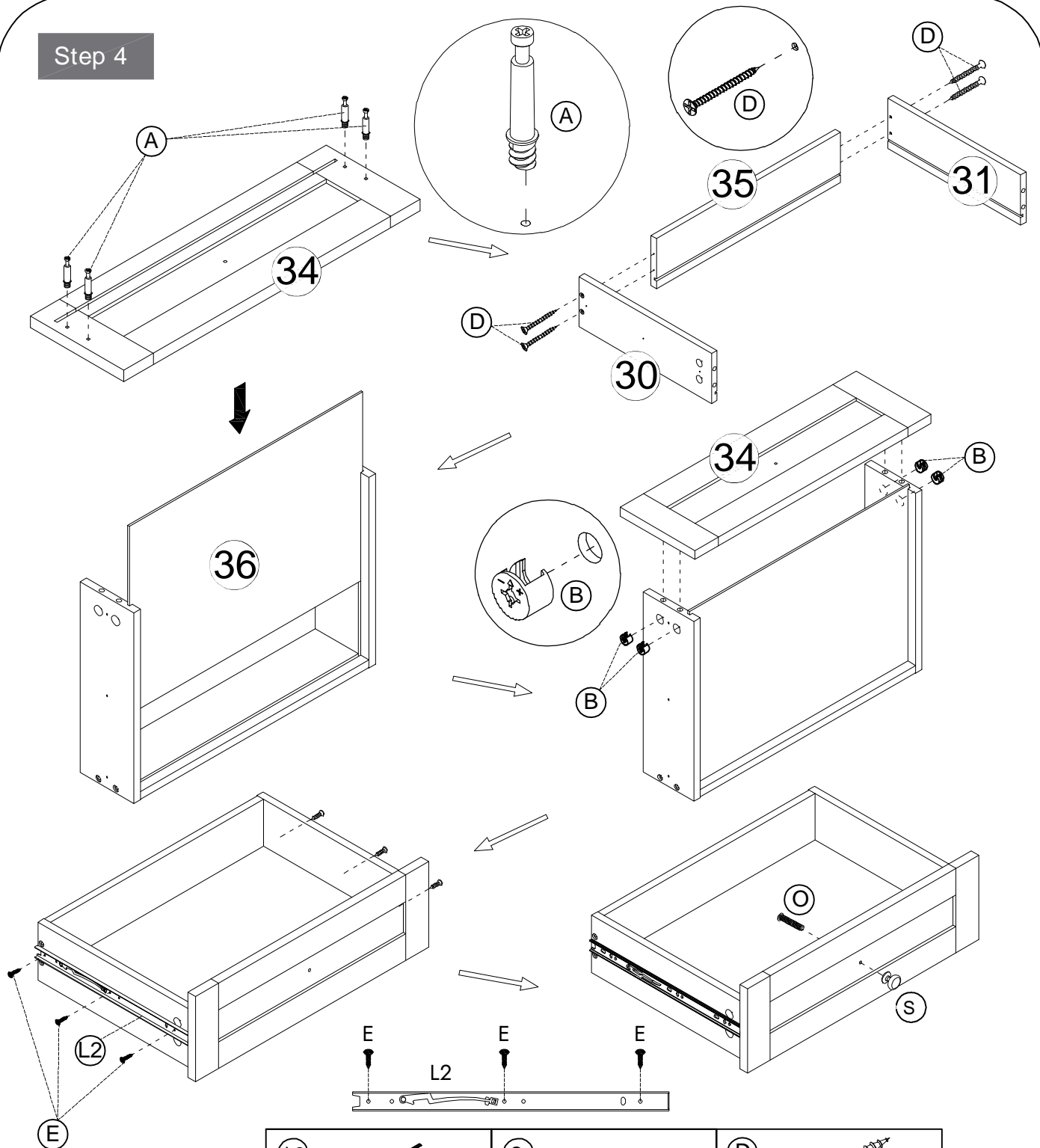
x2



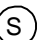


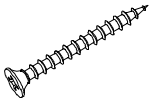





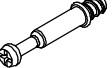




| | | | |
|---|--|--|--|
| <p>(E)</p>  <p>3.5*12mm Screw x 12</p> | <p>(L2)</p>  <p>Slide x 4</p> | <p>(S)</p>  <p>Handle x 2</p> | <p>(D)</p>  <p>4*35mm Screw x 8</p> |
| <p>(O)</p>  <p>4*10mm Bolts x 2</p> | <p>(A)</p>  <p>Cam Bolt x 8</p> | <p>(B)</p>  <p>Cam lock x 8</p> | |

Assembly Instructions

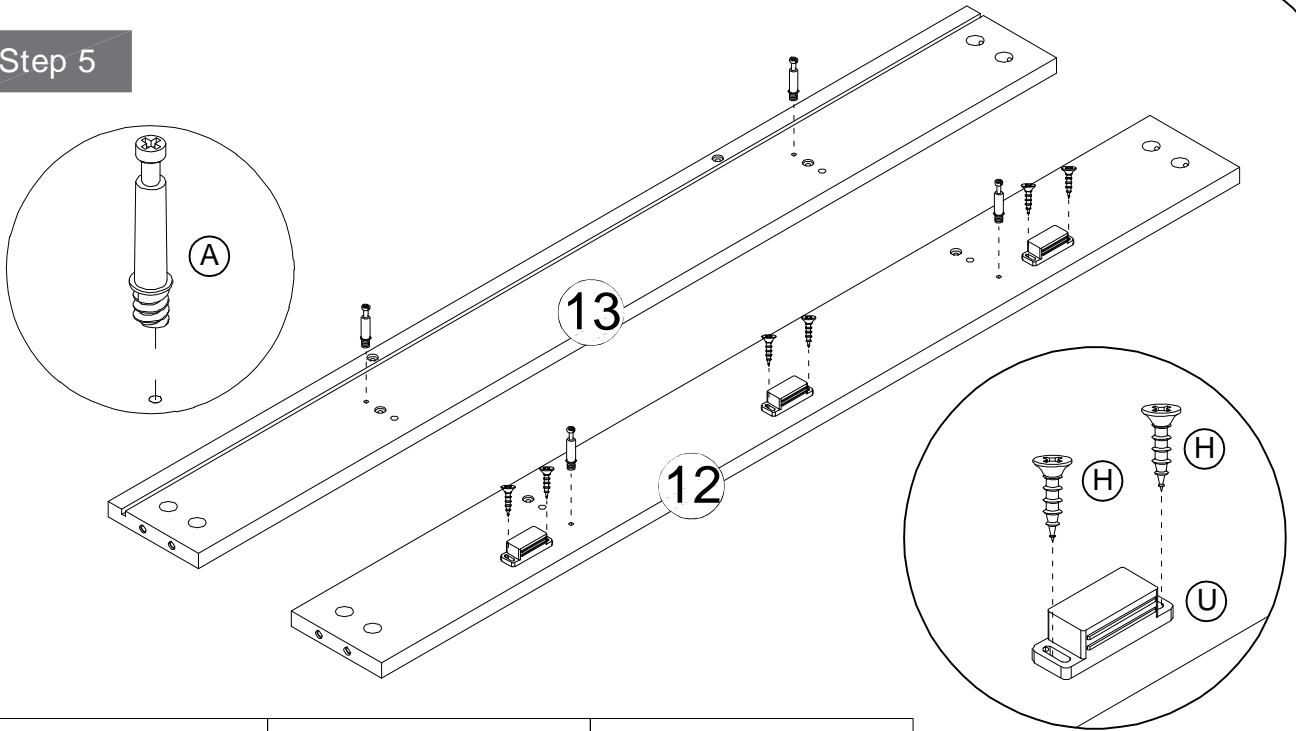
Step 4

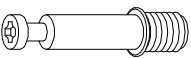
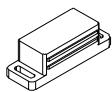


| | | | |
|---|---|---|---|
|   <p>Slide x 2</p> |   <p>Handle x 1</p> |   <p>4*35mm Screw x 4</p> | |
|   <p>3.5*12mm Screw x 6</p> |   <p>4*10mm Bolts x 1</p> |   <p>Cam Bolt x 4</p> | |
| | | |   <p>Cam lock x 4</p> |

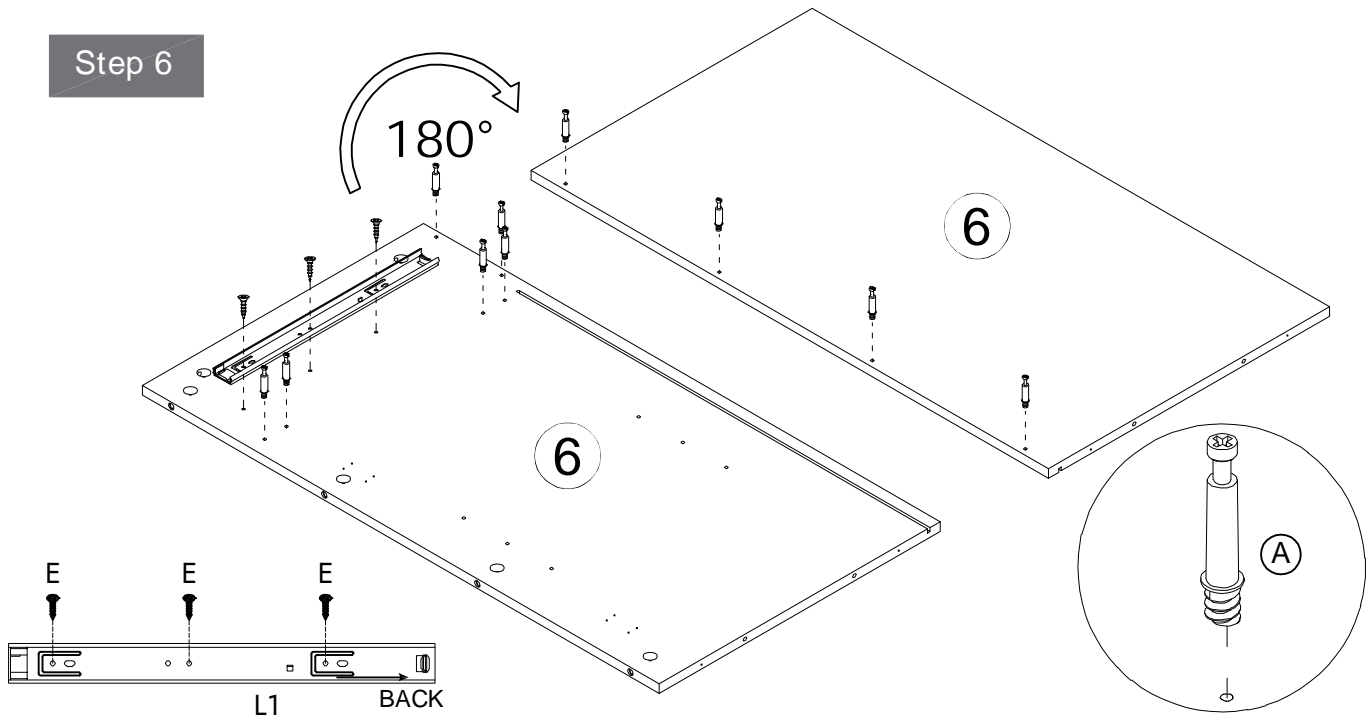
Assembly Instructions

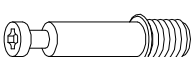

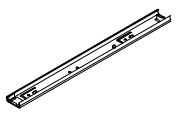
Step 5



| | | |
|--|--|---|
|  <p>(A) Cam Bolt x 4</p> |  <p>(H) 3*14mm Screw x 6</p> |  <p>(U) Magnetic impact x 3</p> |
|--|--|---|

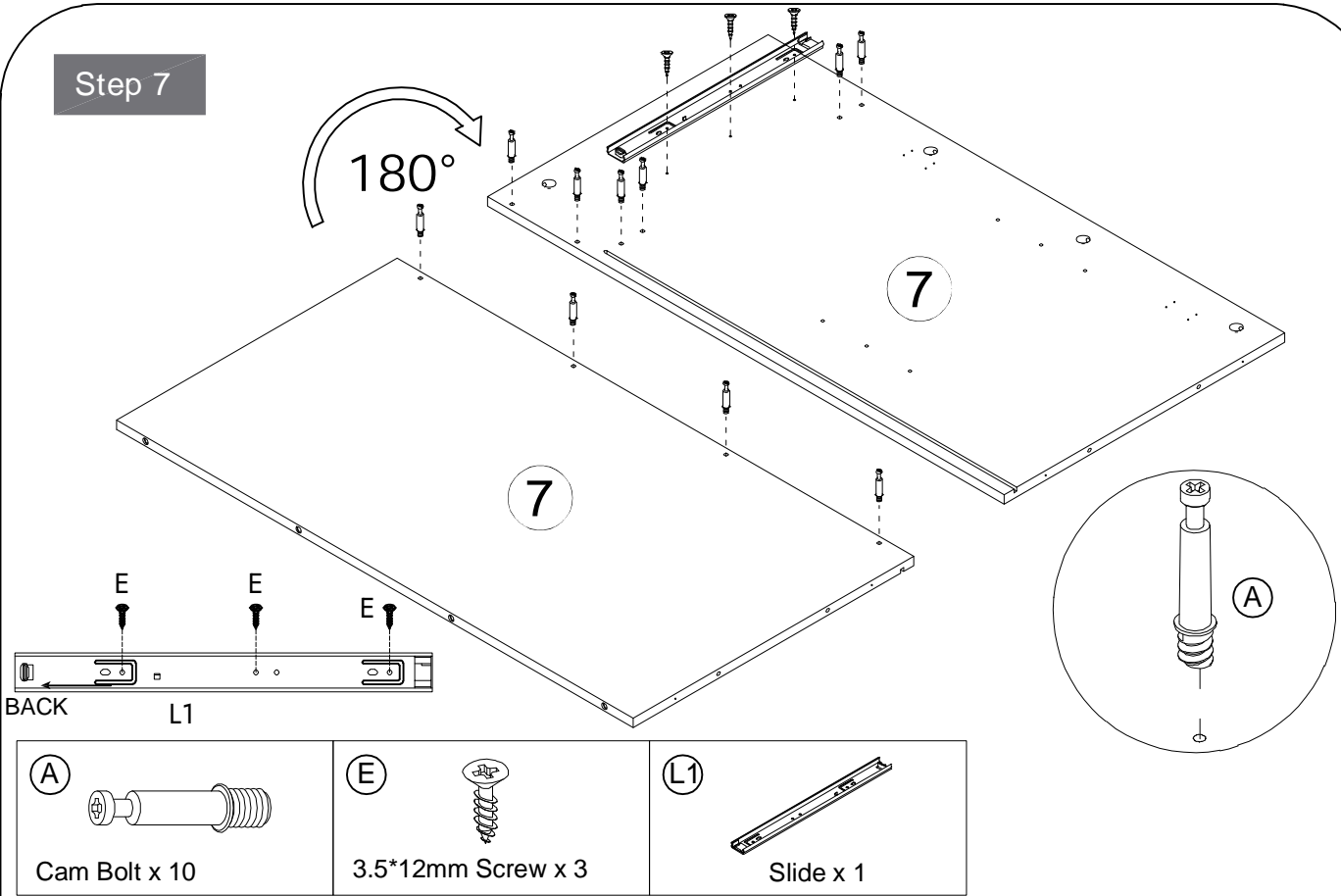
Step 6



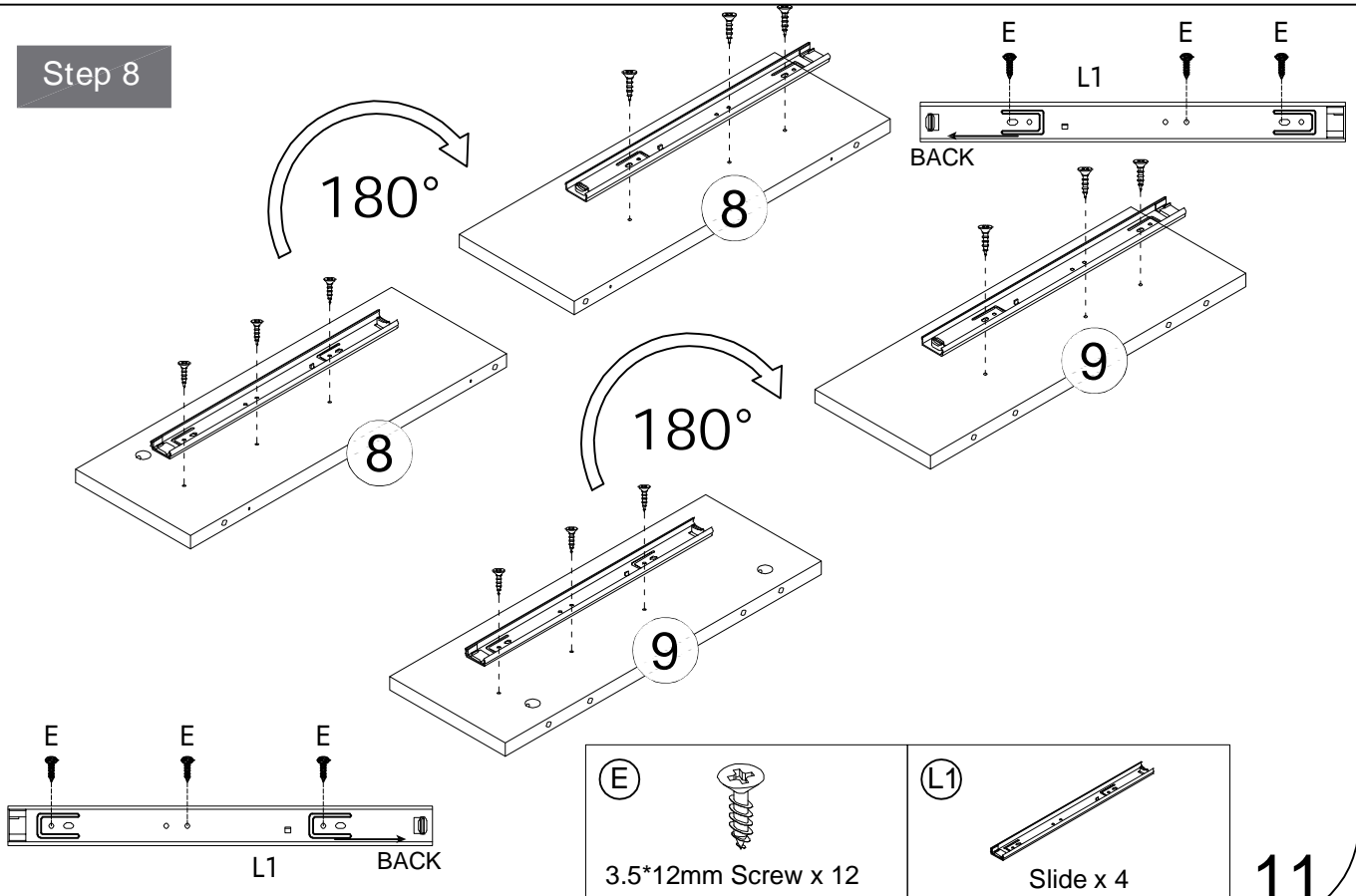
| | | |
|---|--|---|
|  <p>(A) Cam Bolt x 10</p> |  <p>(E) 3.5*12mm Screw x 3</p> |  <p>(L1) Slide x 1</p> |
|---|--|---|

Assembly Instructions

Step 7

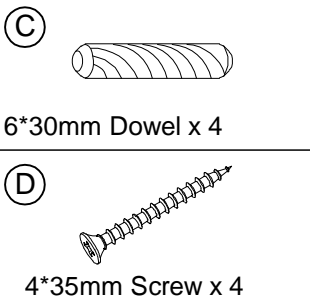
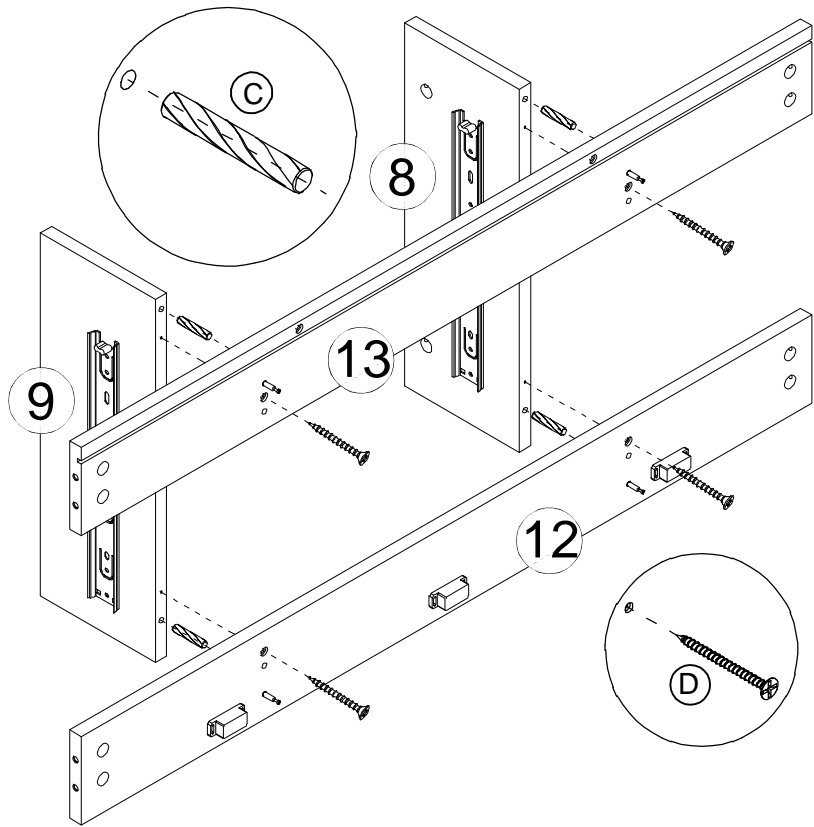


Step 8

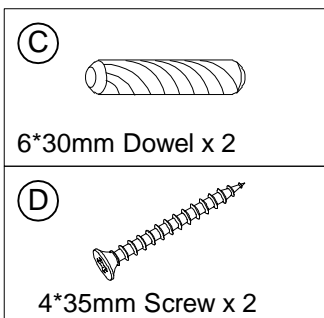
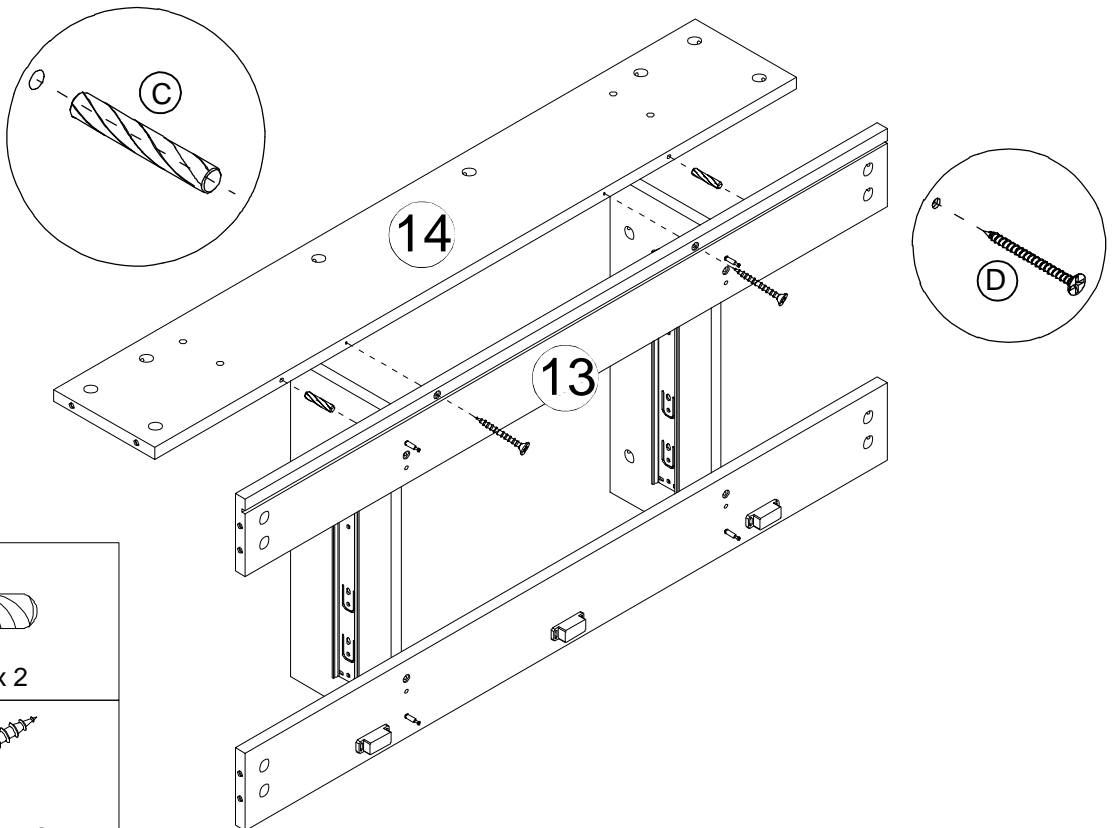


Assembly Instructions

Step 9

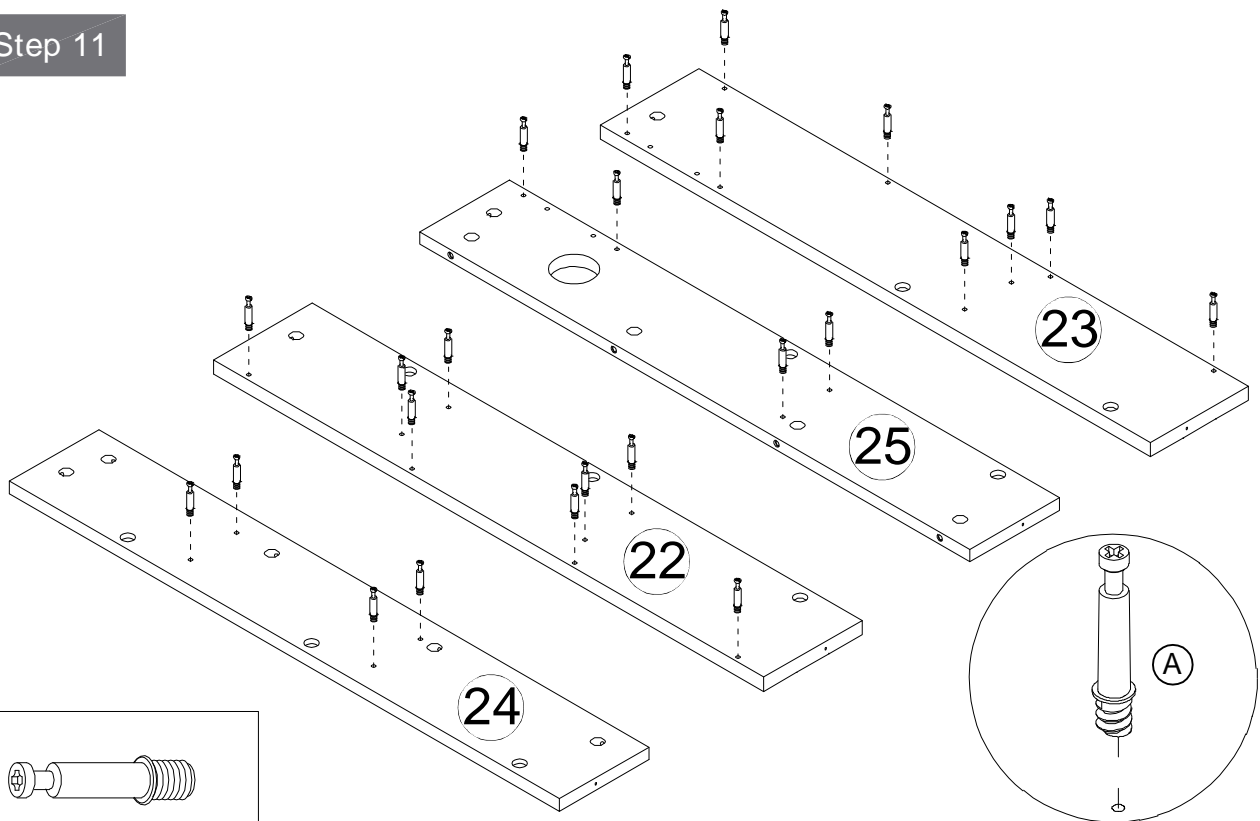


Step 10



Assembly Instructions

Step 11

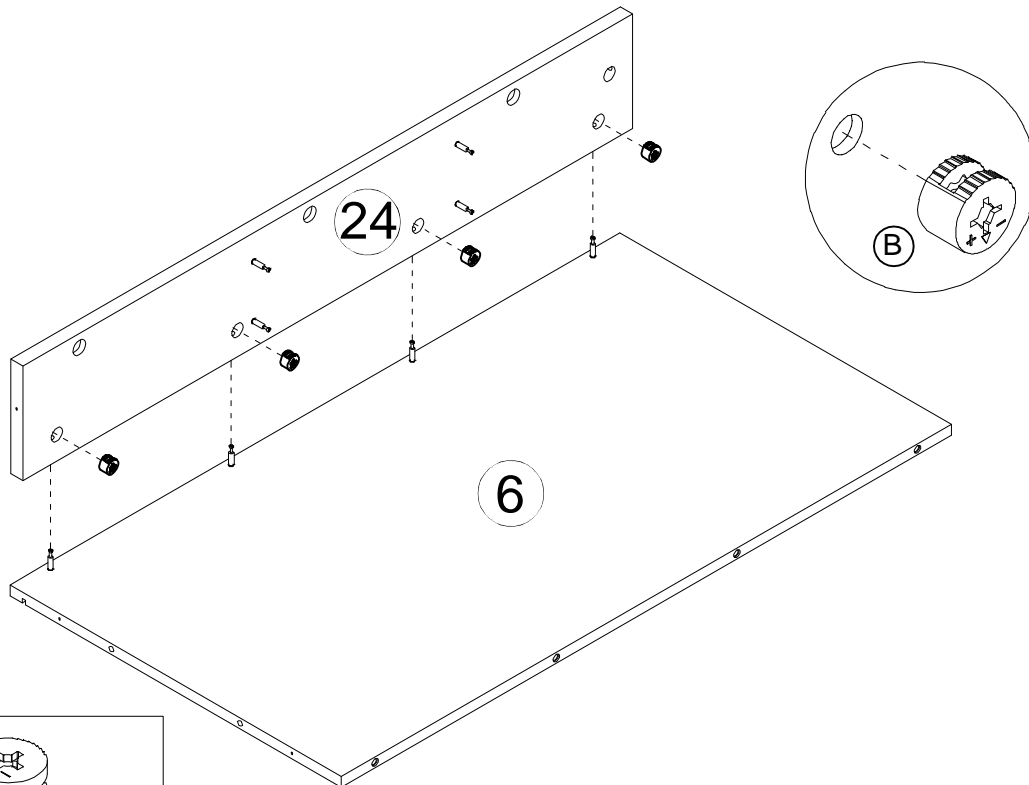


(A)



Cam Bolt x 24

Step 12



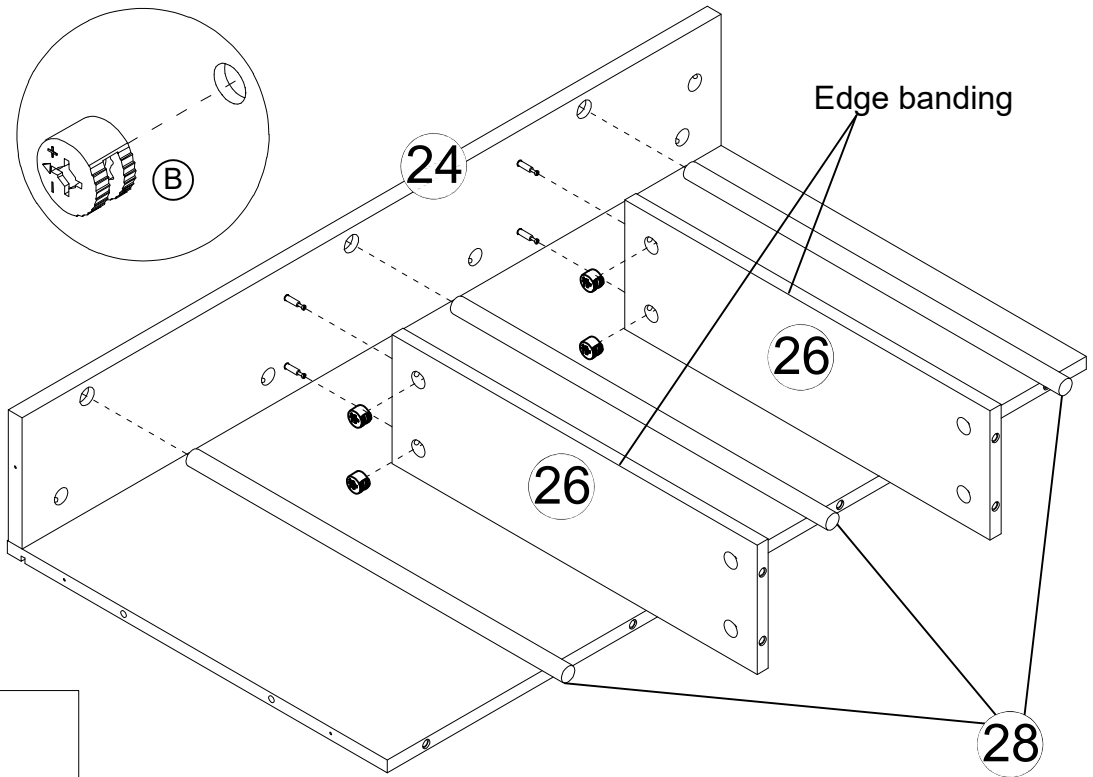
(B)



Cam lock x 4

Assembly Instructions

Step 13

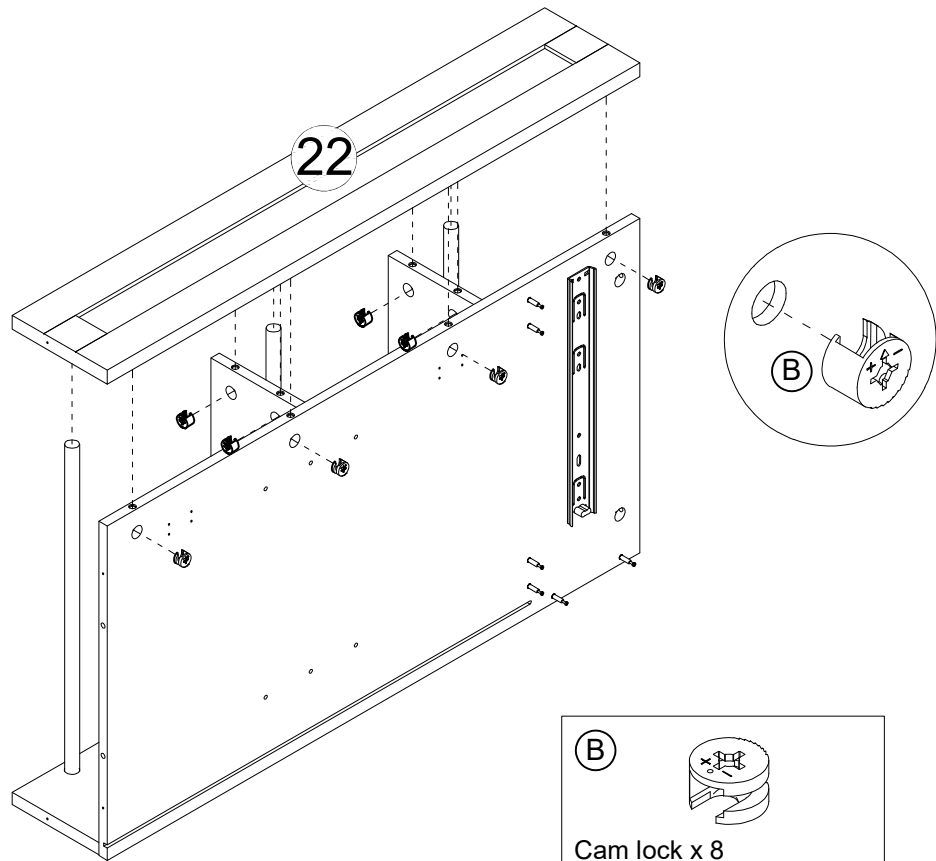


(B)



Cam lock x 4

Step 14



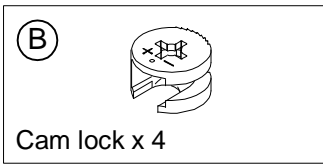
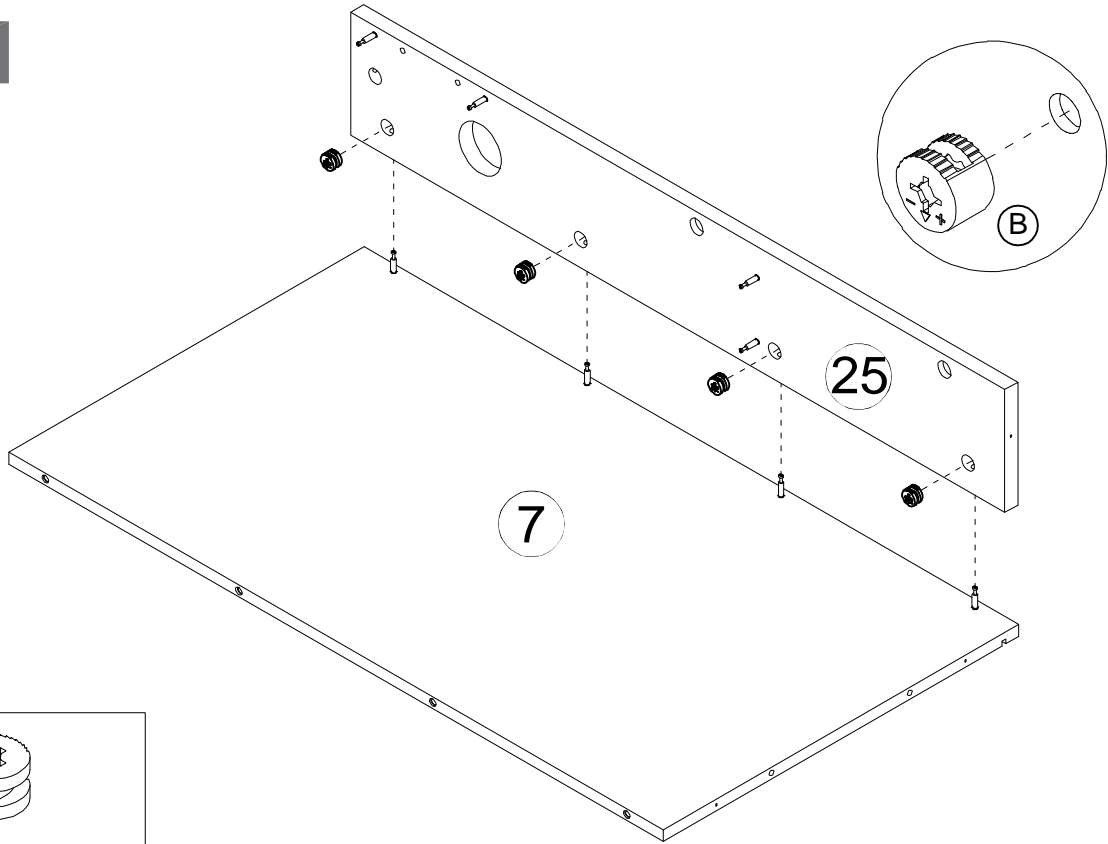
(B)



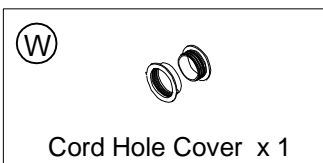
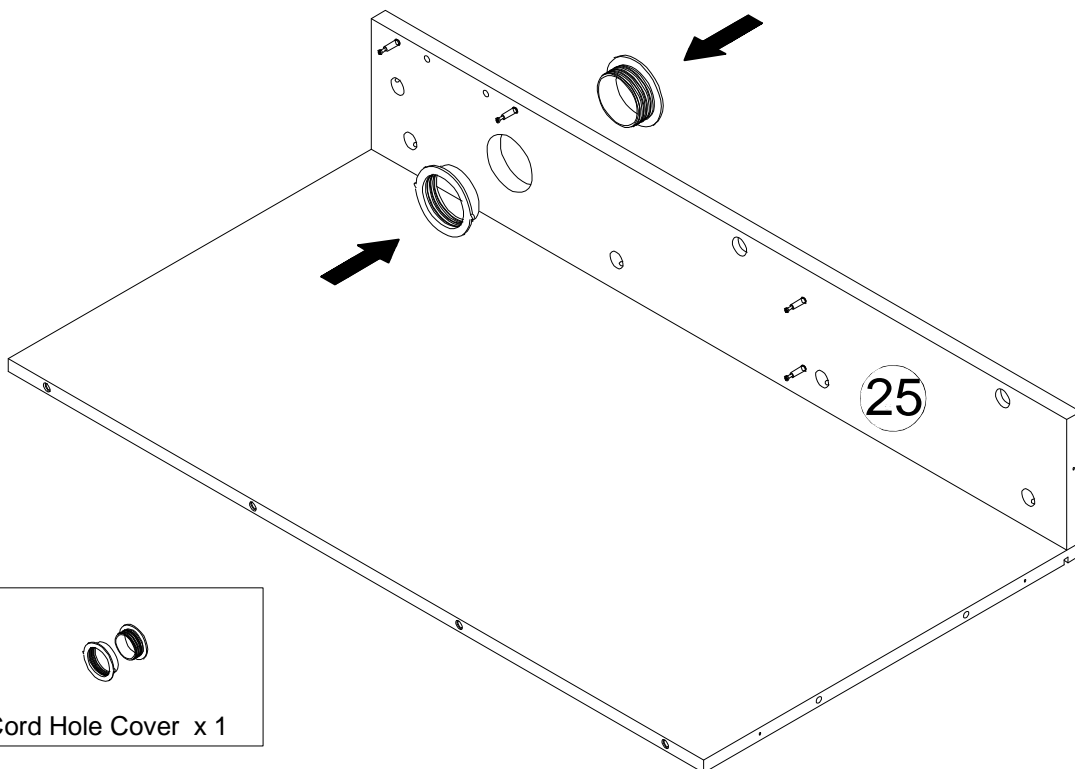
Cam lock x 8

Assembly Instructions

Step 15

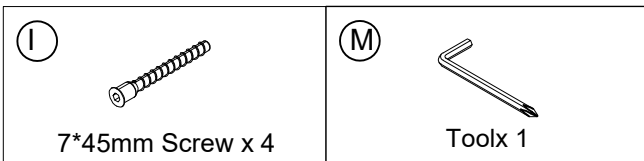
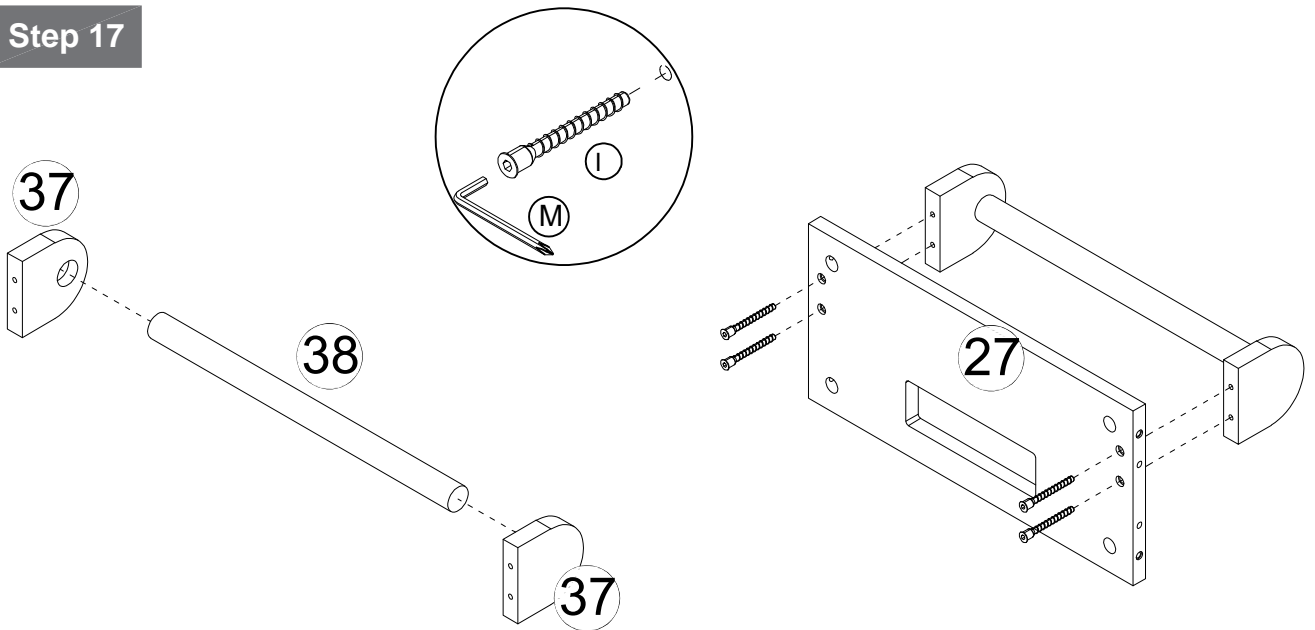


Step 16

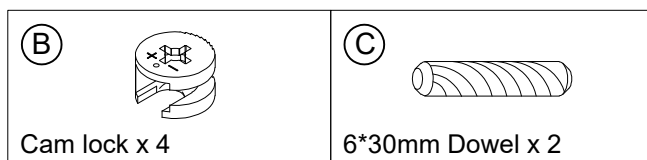
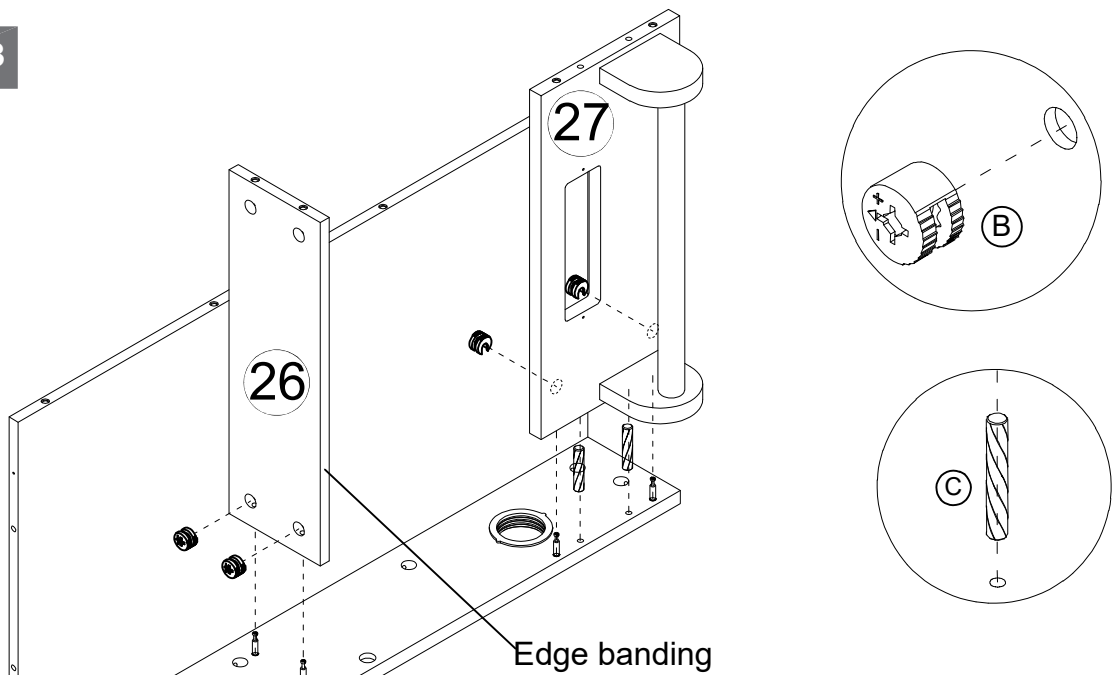


Assembly Instructions

Step 17

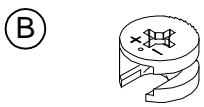
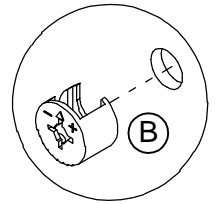
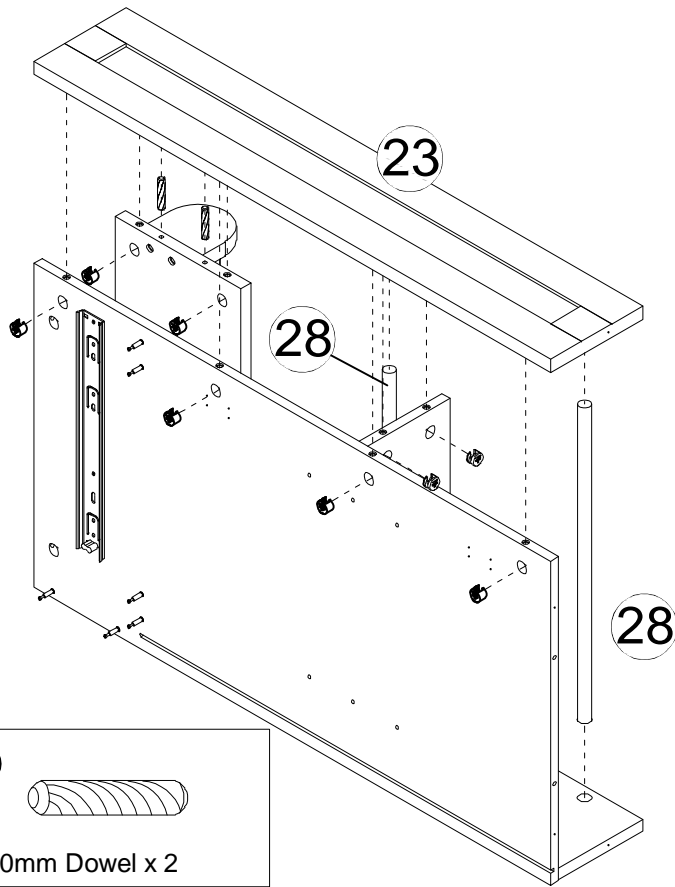
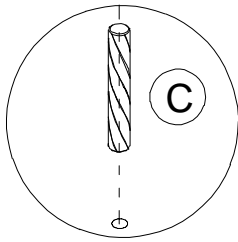


Step 18

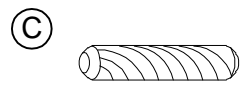


Assembly Instructions

Step 19

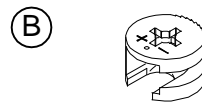
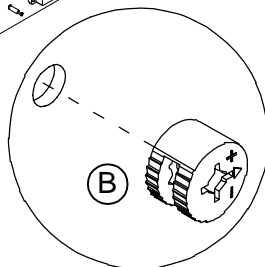
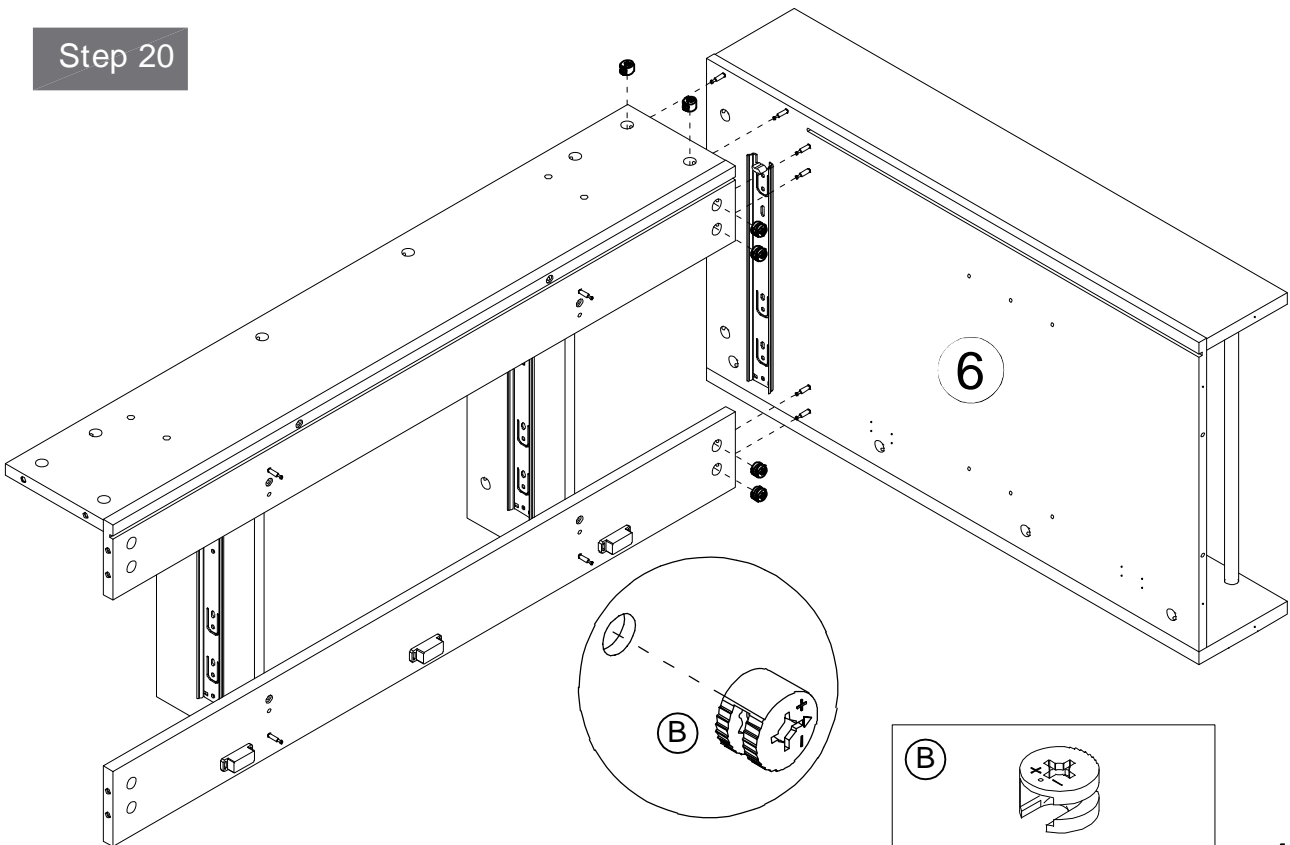


Cam lock x 8



6*30mm Dowel x 2

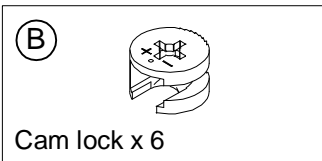
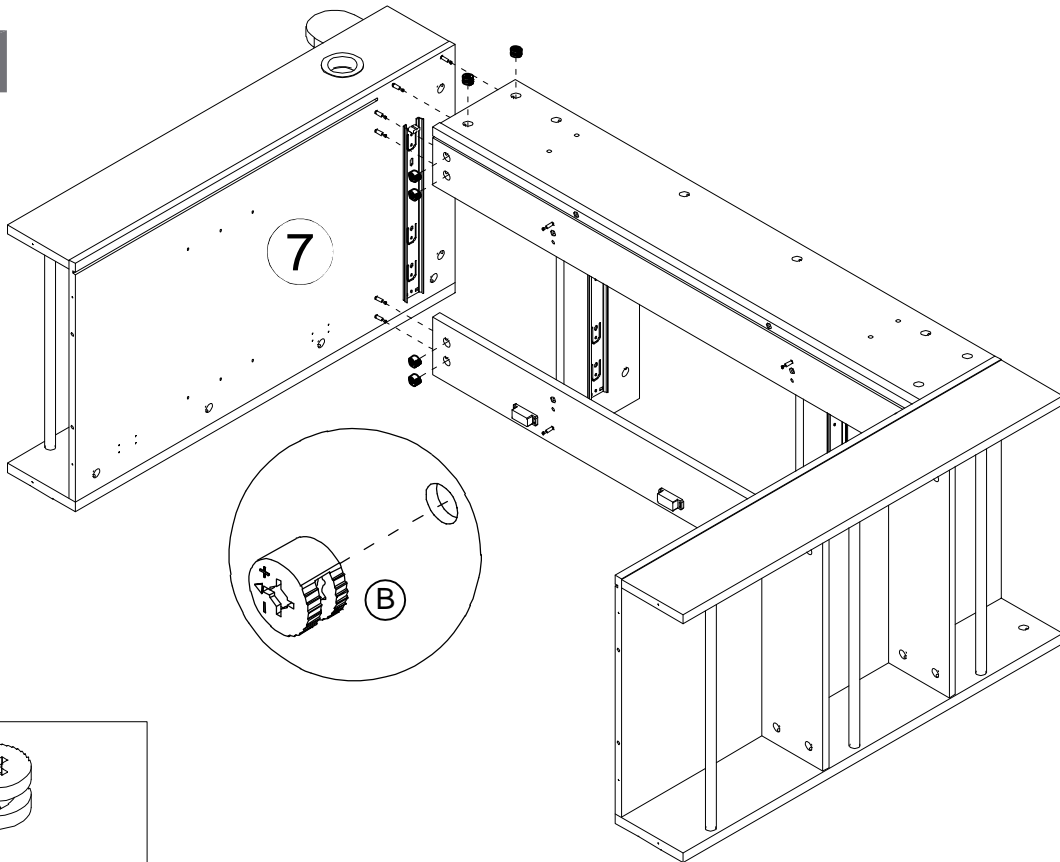
Step 20



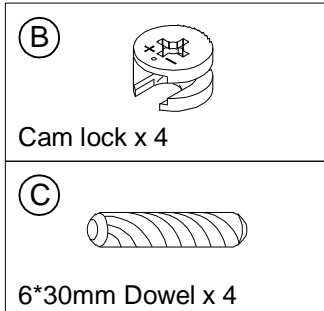
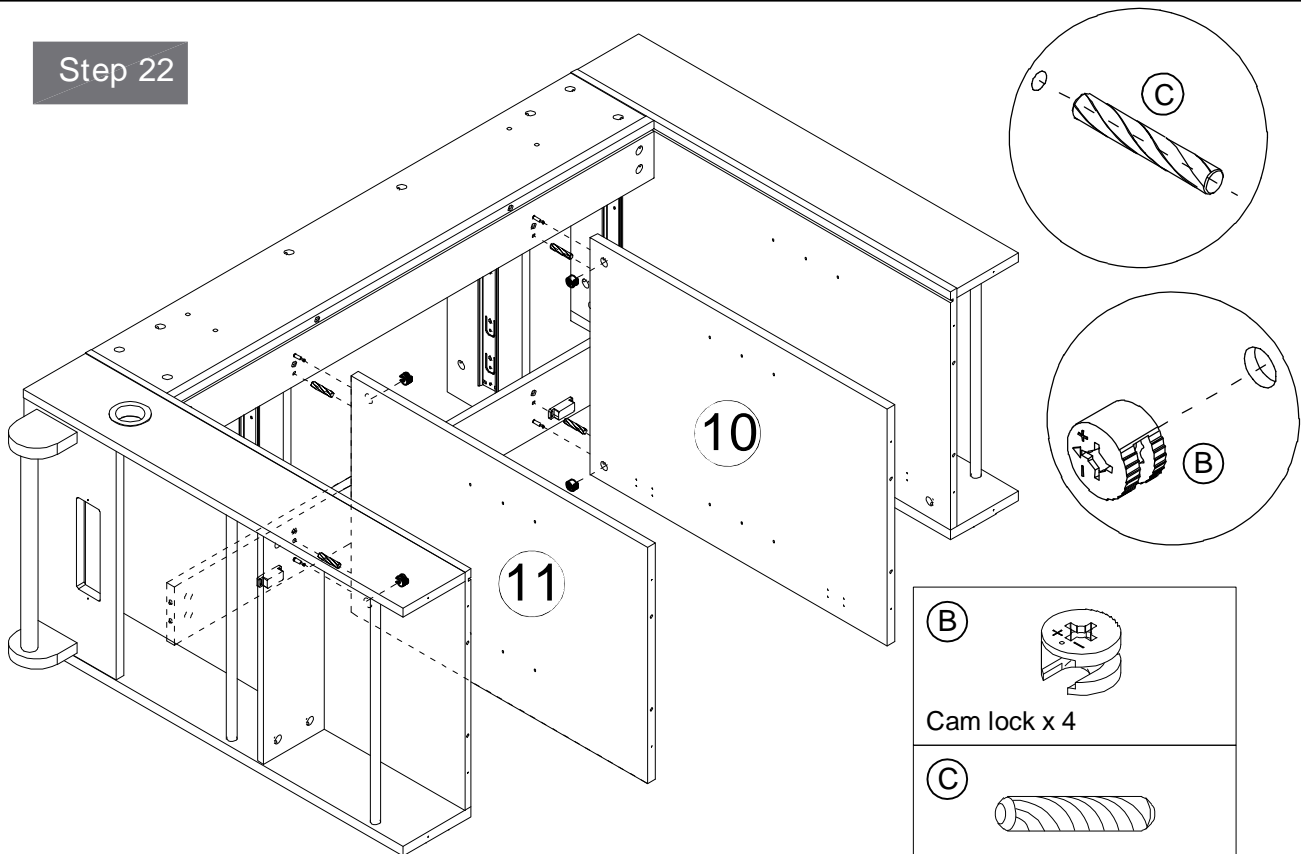
Cam lock x 6

Assembly Instructions

Step 21



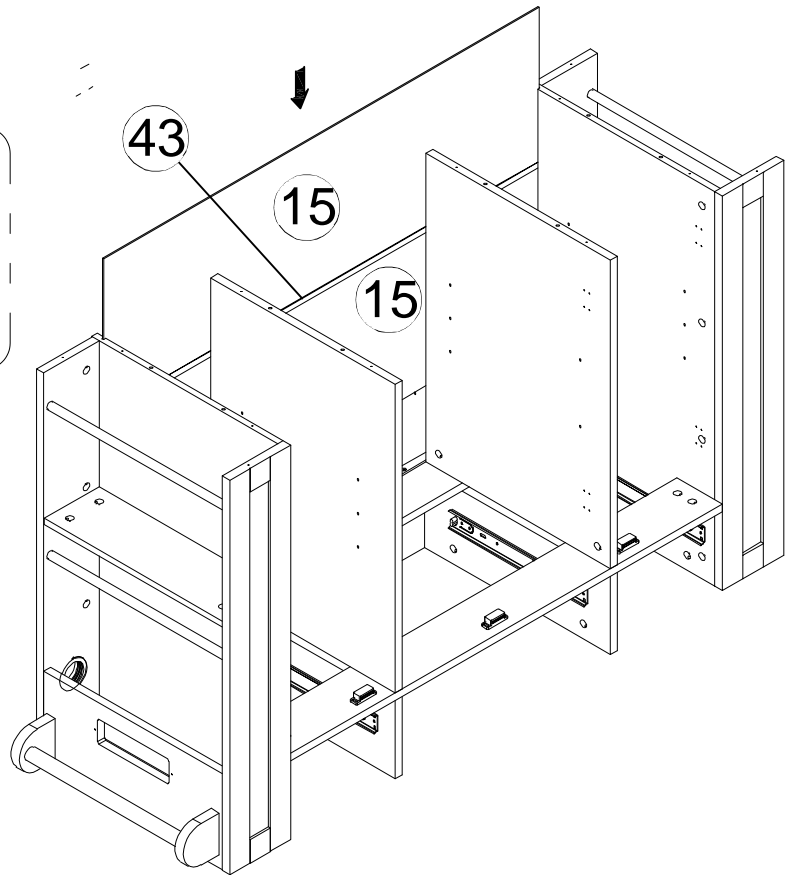
Step 22



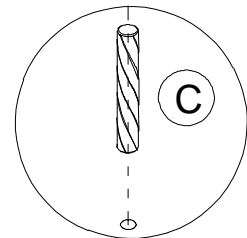
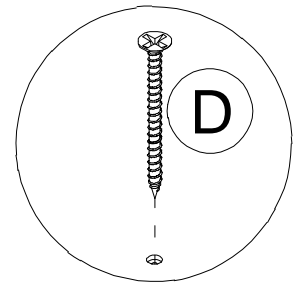
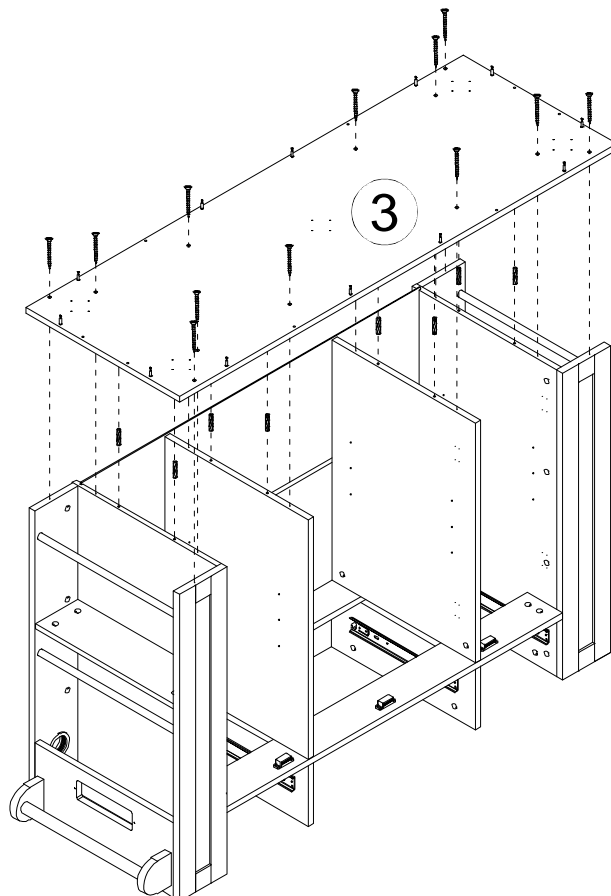
Assembly Instructions

Step 23

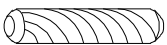
The thin plate needs to be fully inserted into the groove. If the insertion is not smooth, you can try pressing from the front or the back to make adjustments until the thin plate is fully inserted into the groove.



Step 24

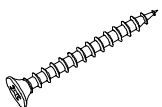


(C)



6*30mm Dowel x 8

(D)

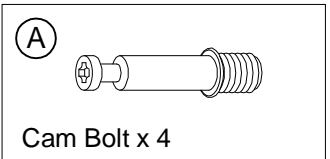
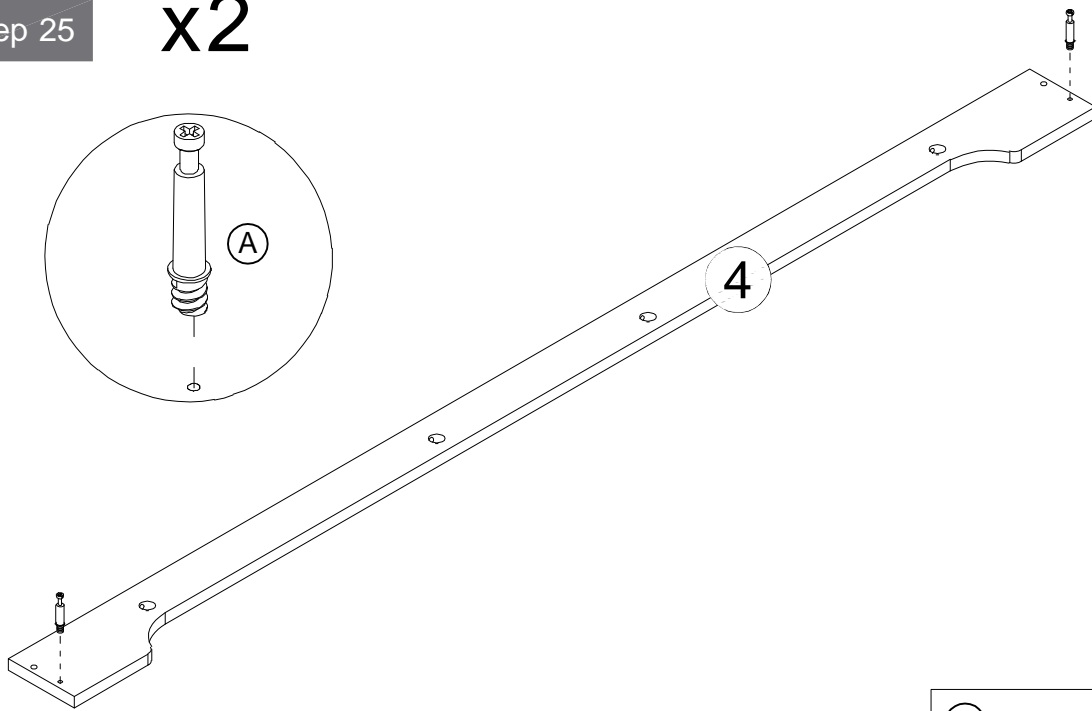


4*35mm Screw x 12

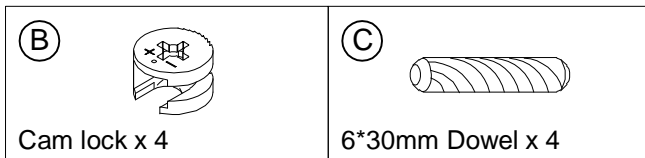
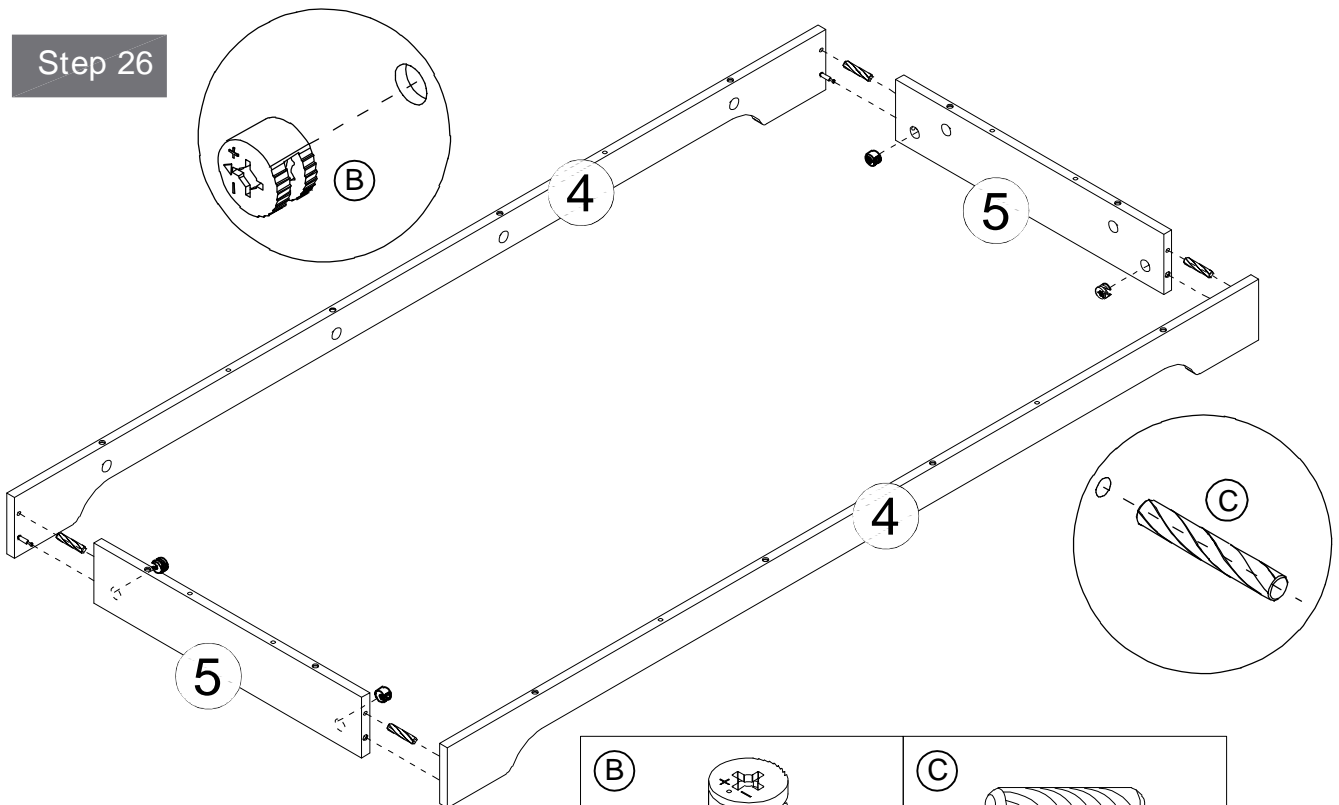
Assembly Instructions

Step 25

x2

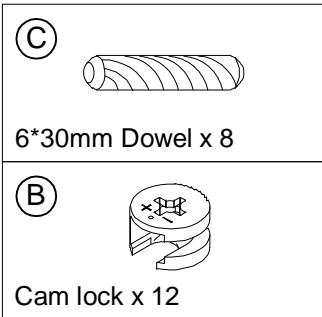
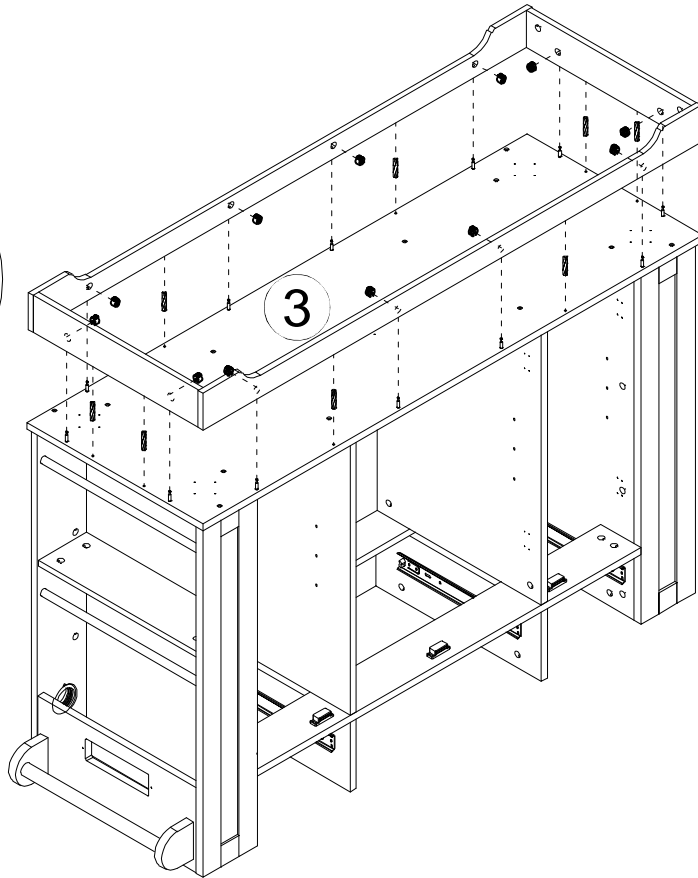
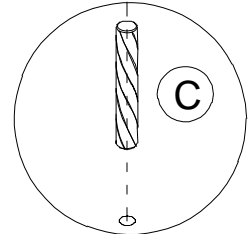
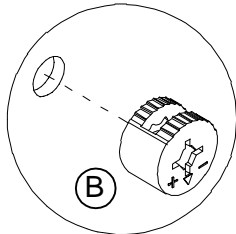


Step 26

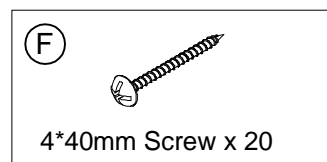
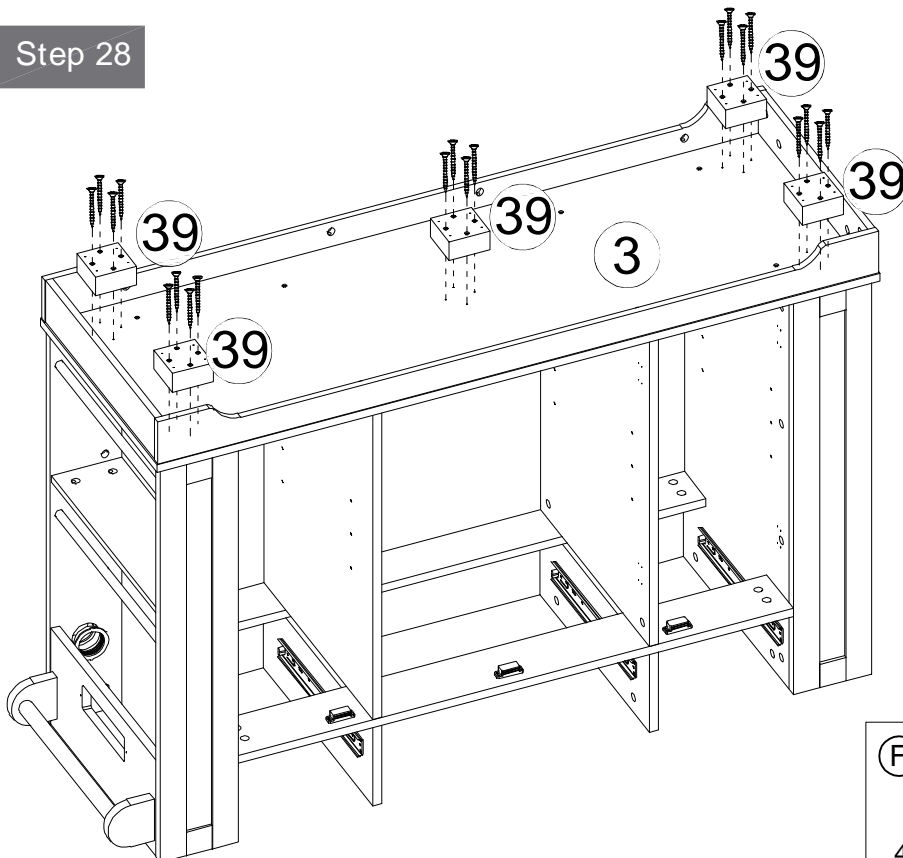
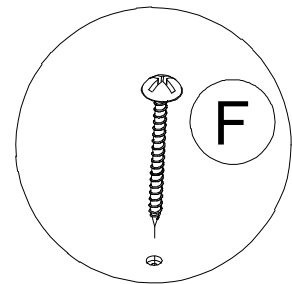


Assembly Instructions

Step 27

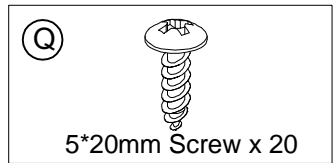
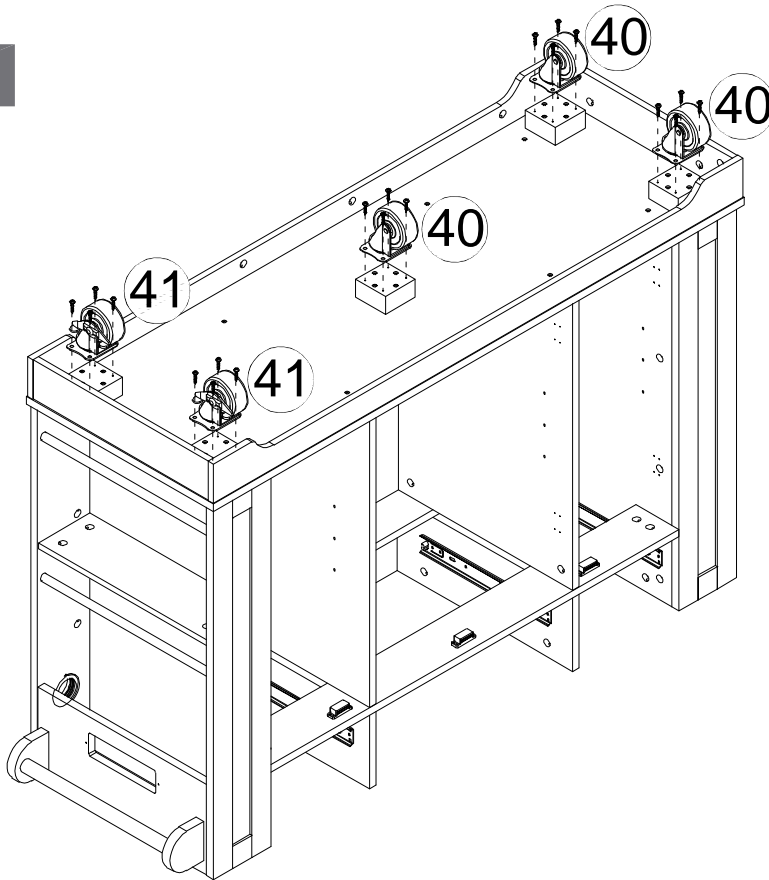


Step 28

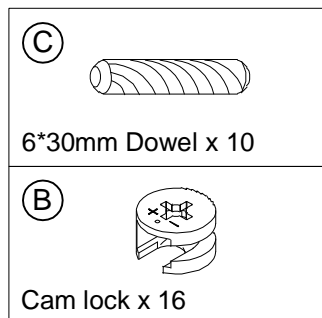
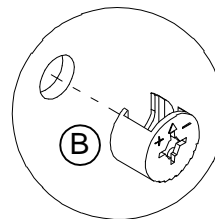
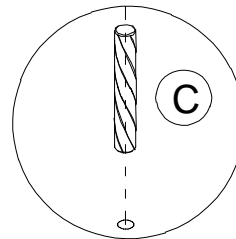
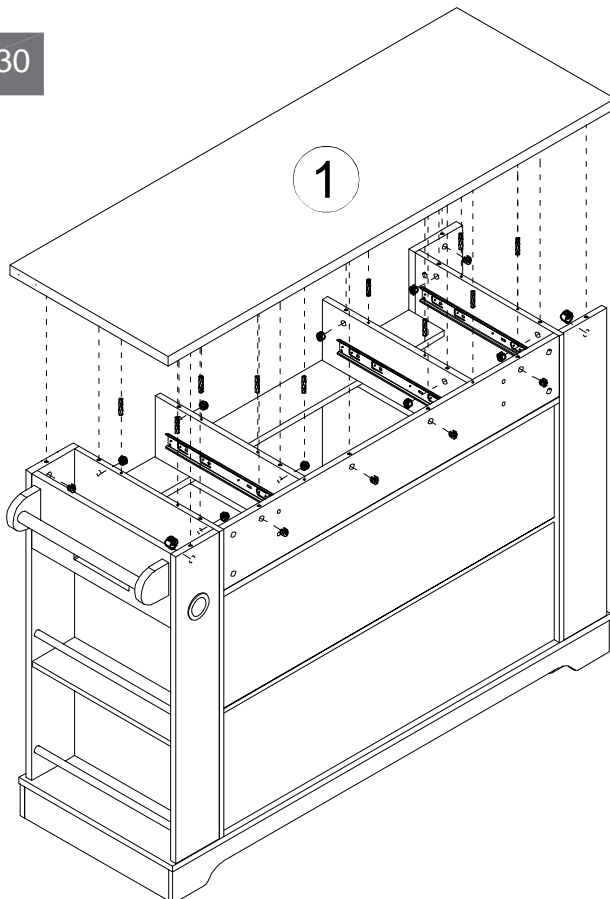


Assembly Instructions

Step 29

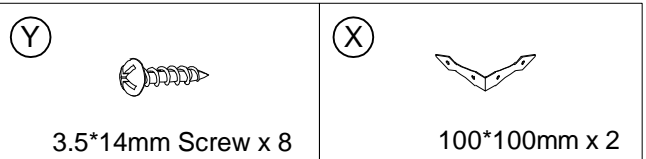
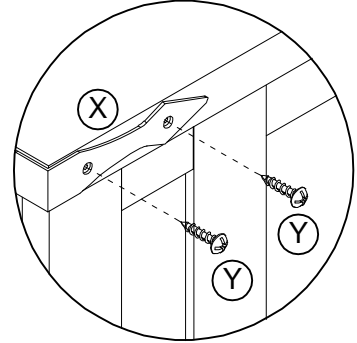
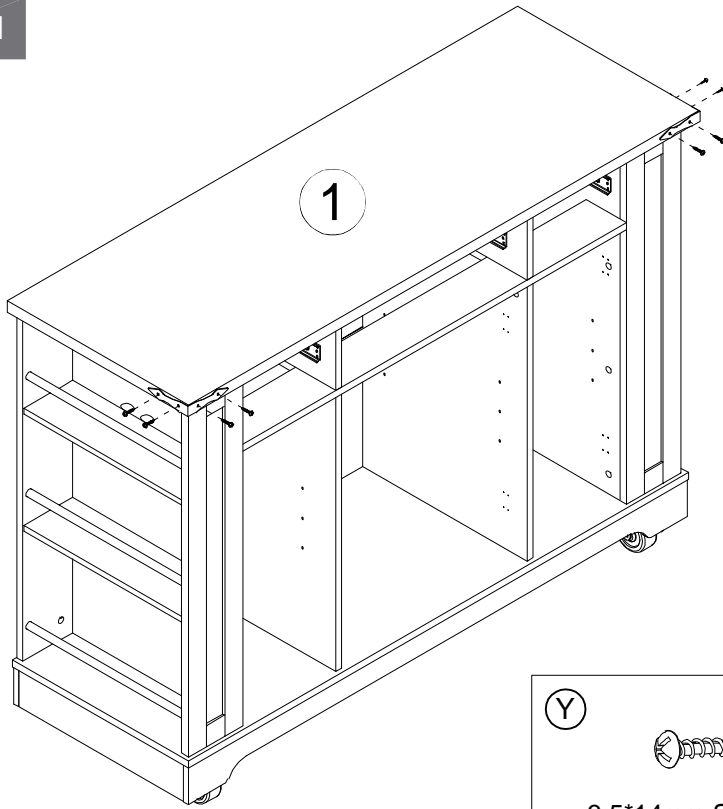


Step 30

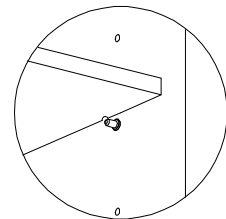
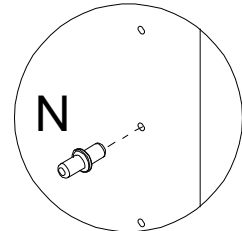
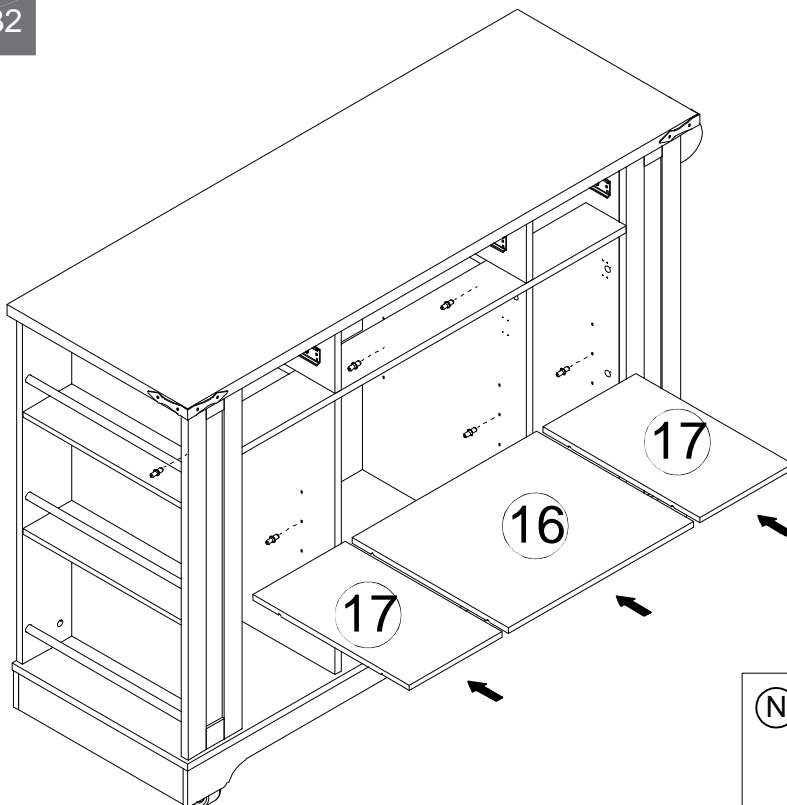


Assembly Instructions

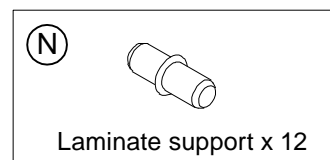
Step 31



Step 32

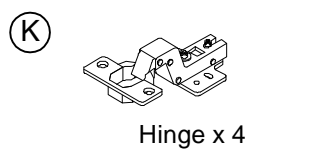
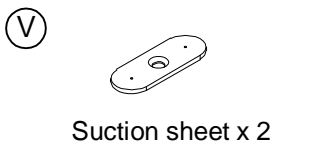
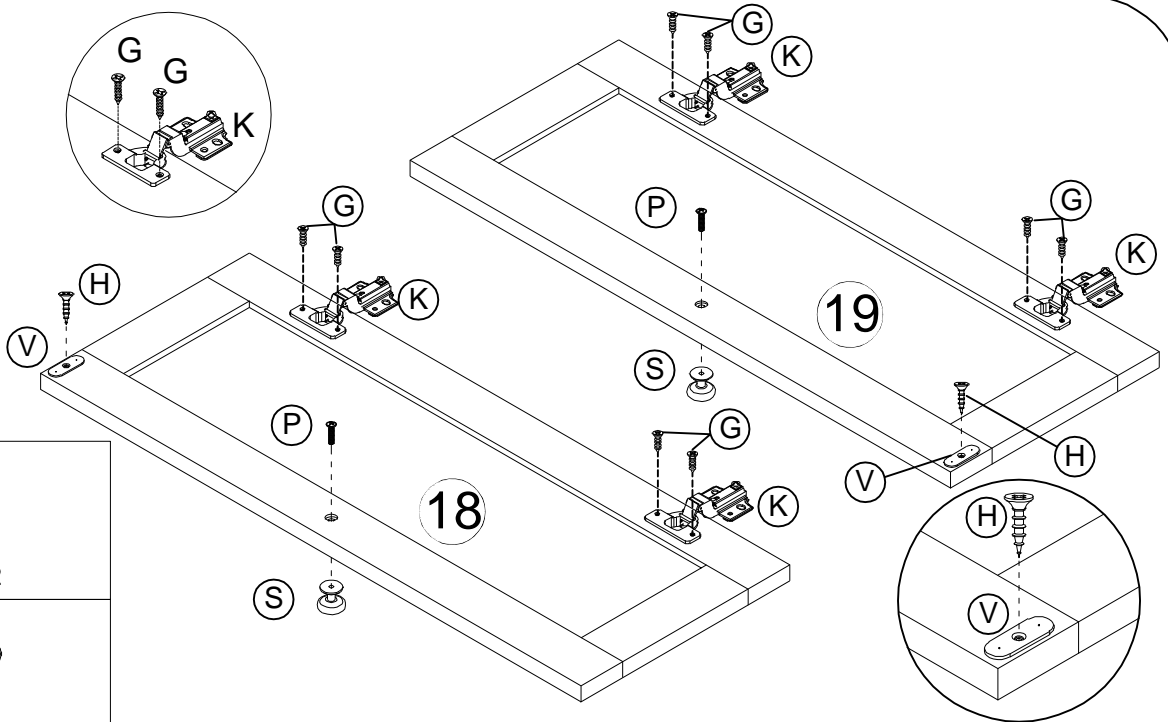


x12

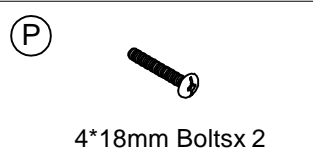
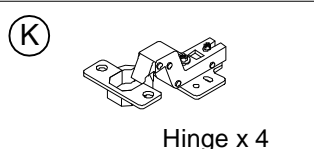
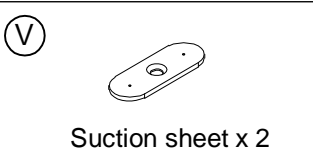
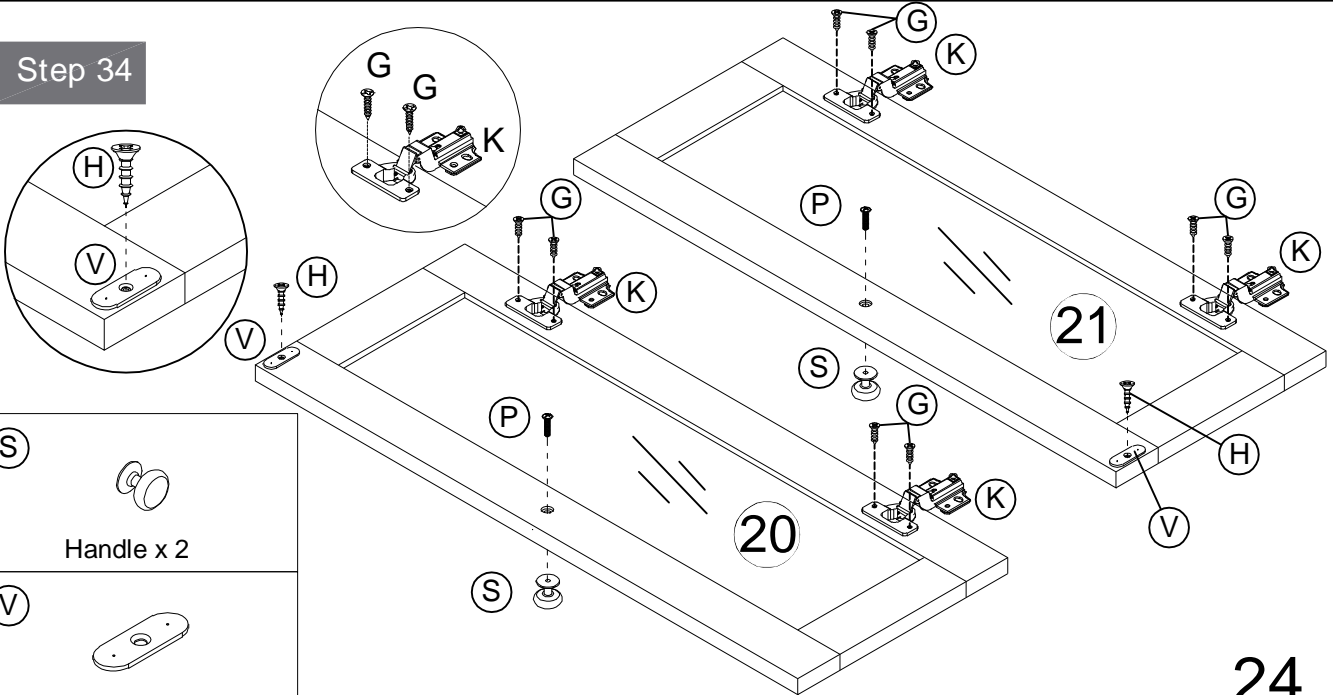


Assembly Instructions

Step 33

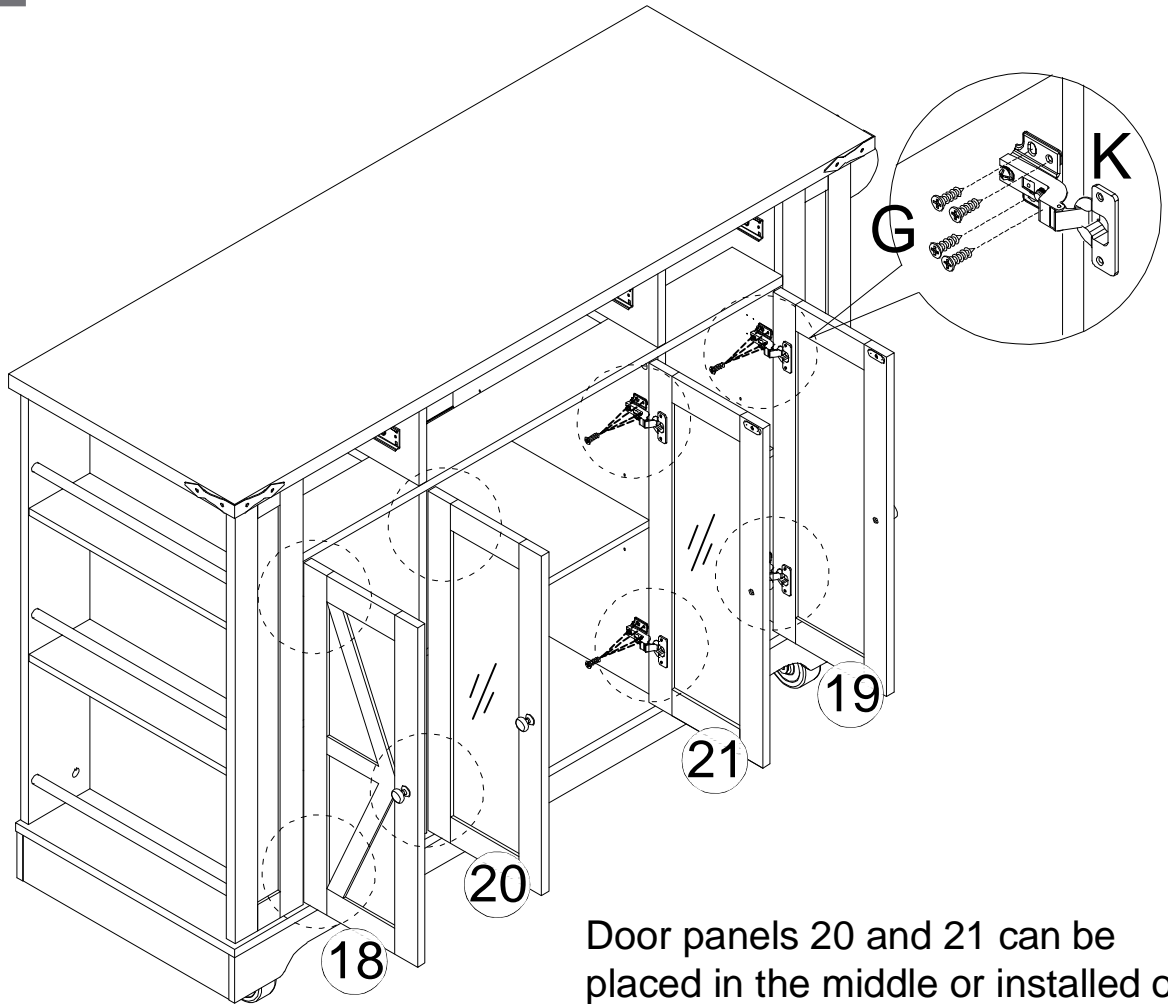


Step 34

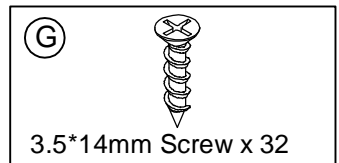


Assembly Instructions

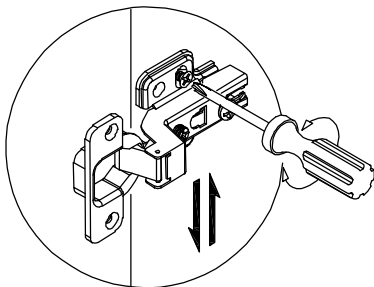
Step 35



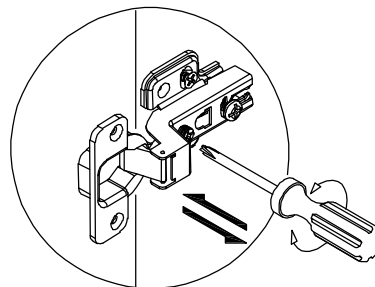
Door panels 20 and 21 can be placed in the middle or installed on both sides



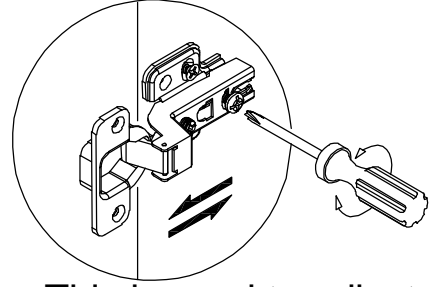
If the door can't close, please adjust the hinges as below.



This is used to adjust the door panel in the up and down direction.



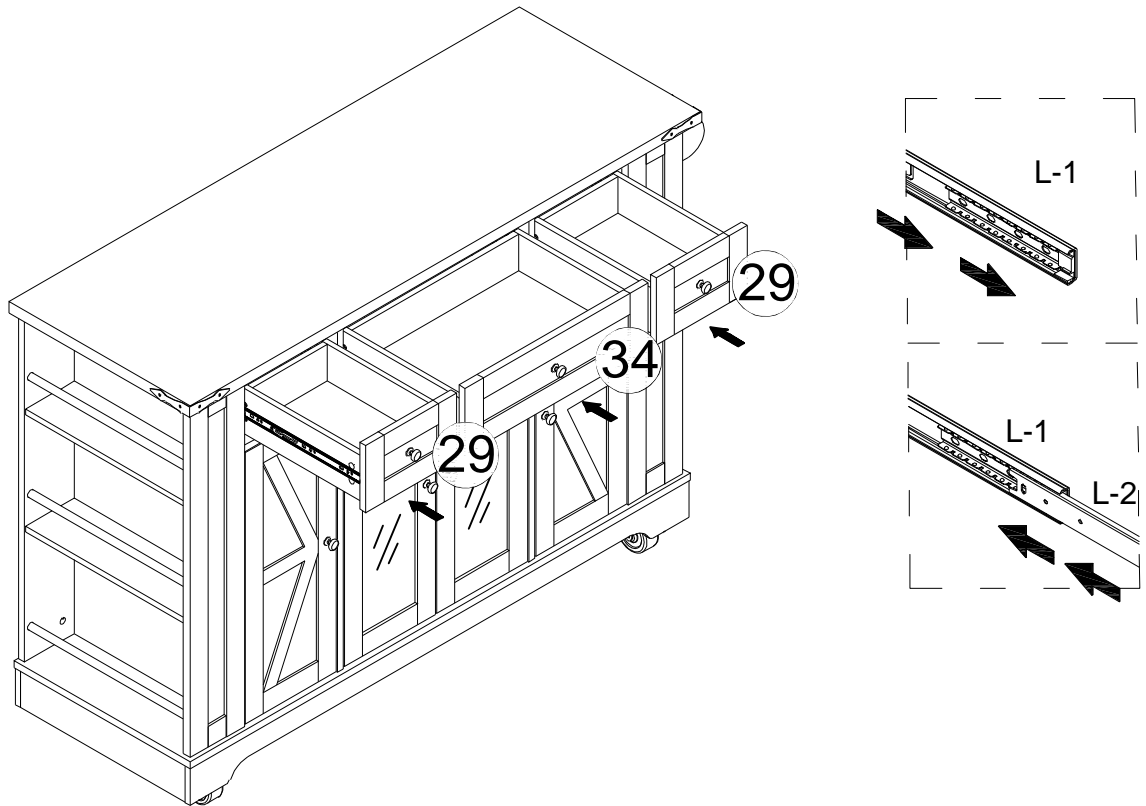
This is used to adjust the door panel in the left and right direction.



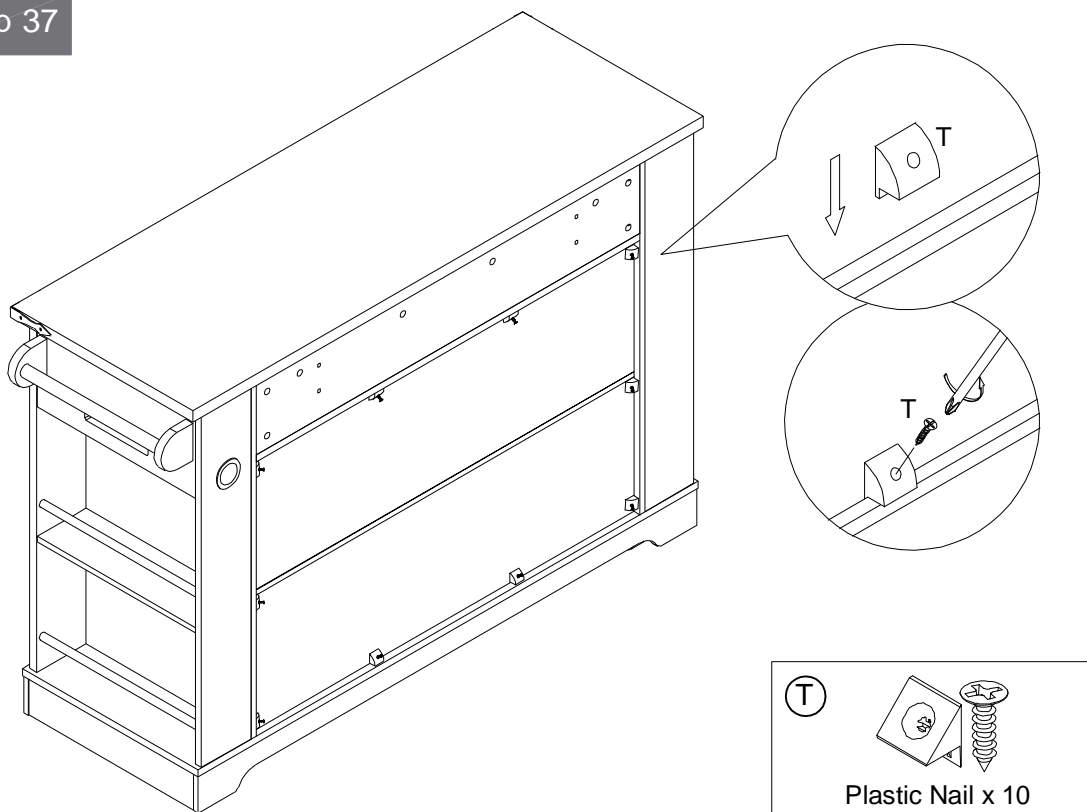
This is used to adjust the door panel in the front and rear.

Assembly Instructions

Step 36

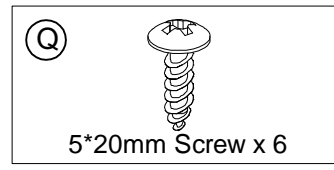
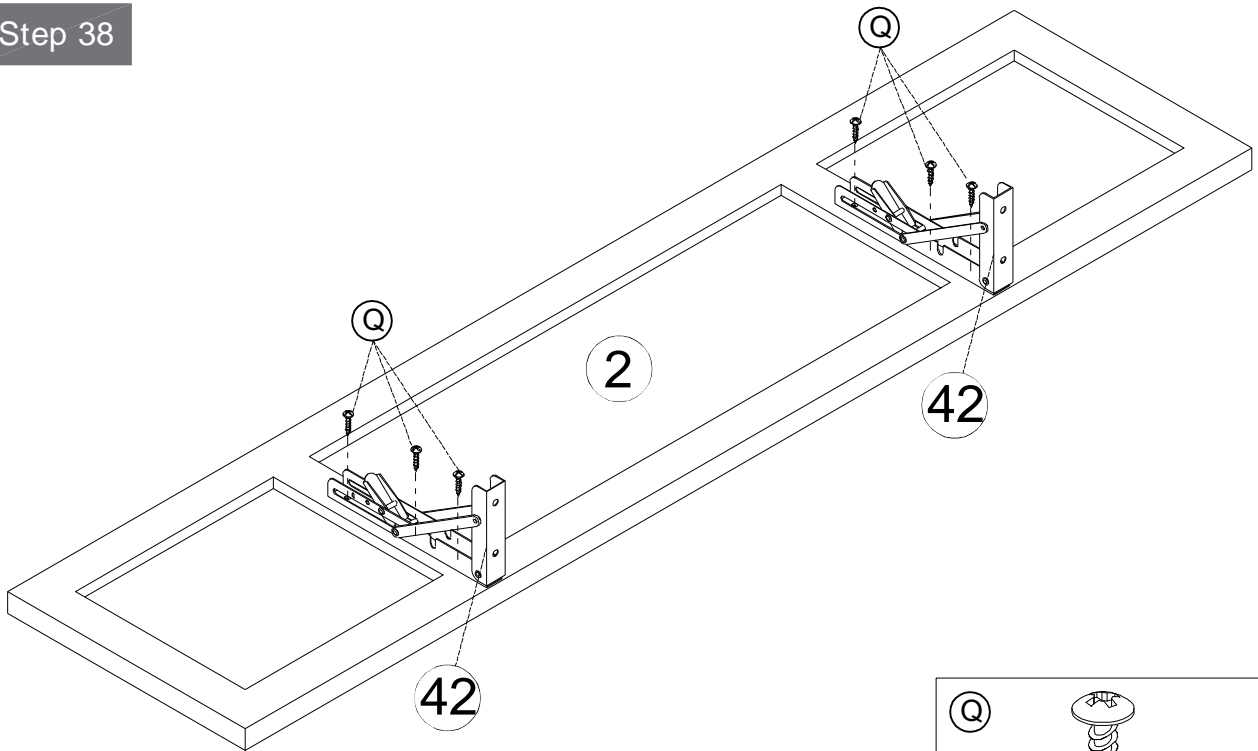


Step 37

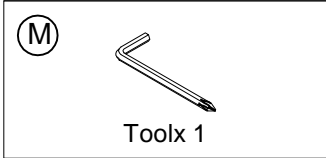
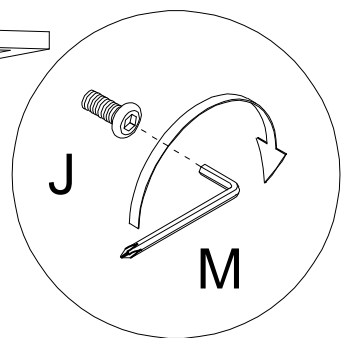
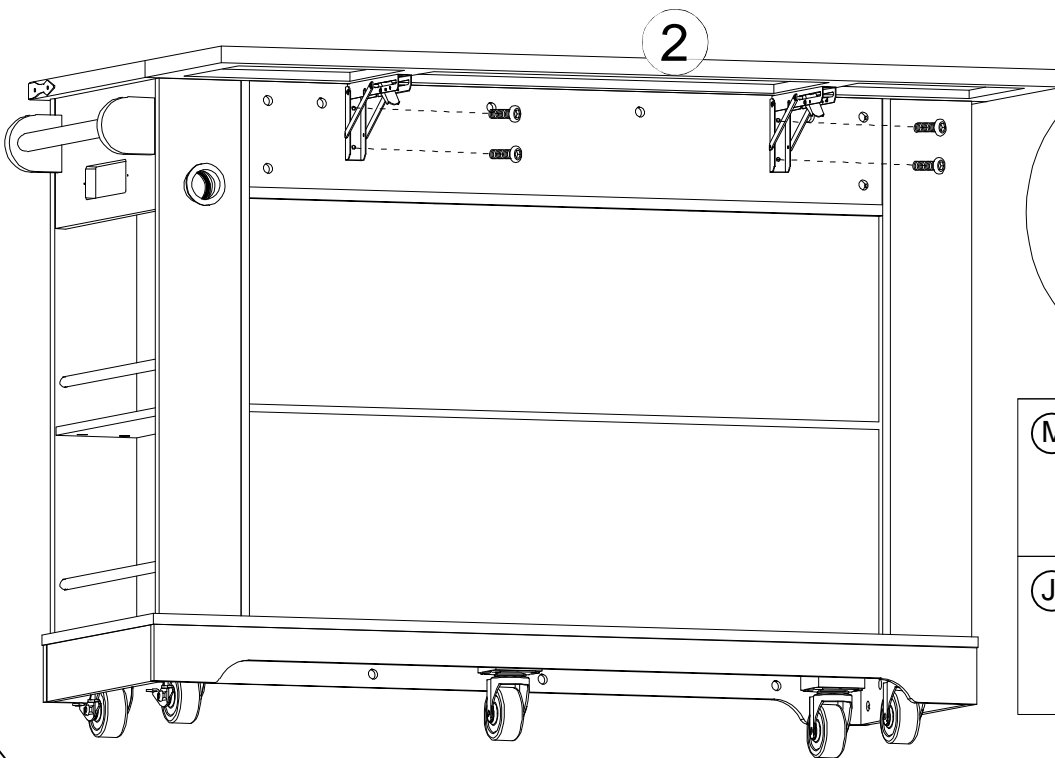


Assembly Instructions

Step 38

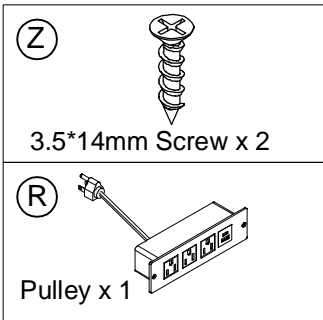
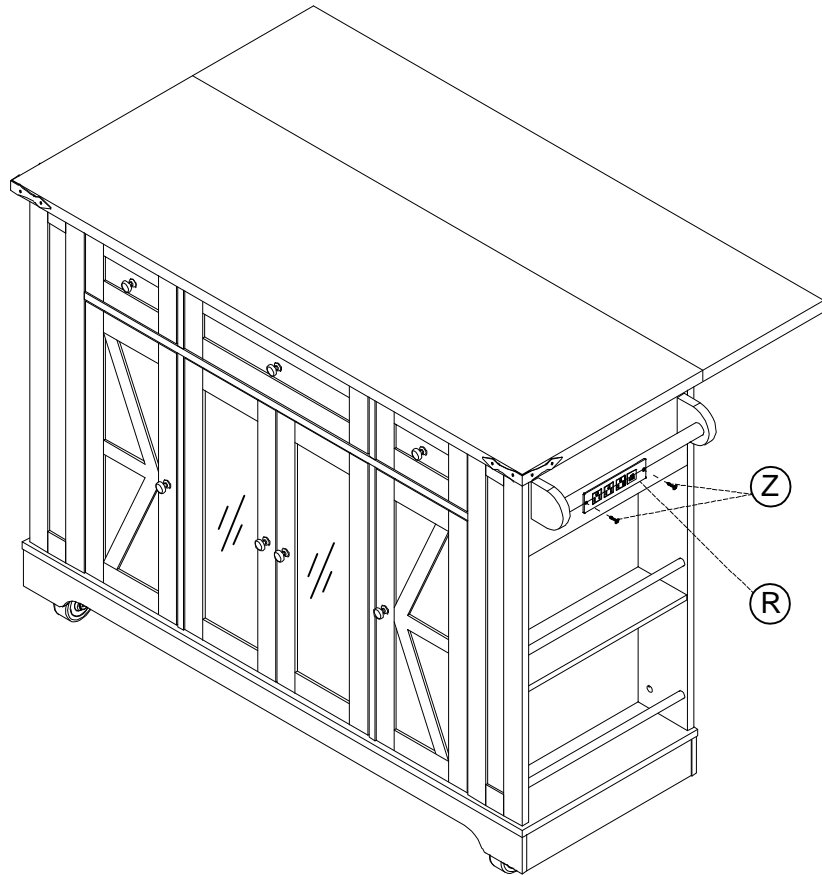


Step 39

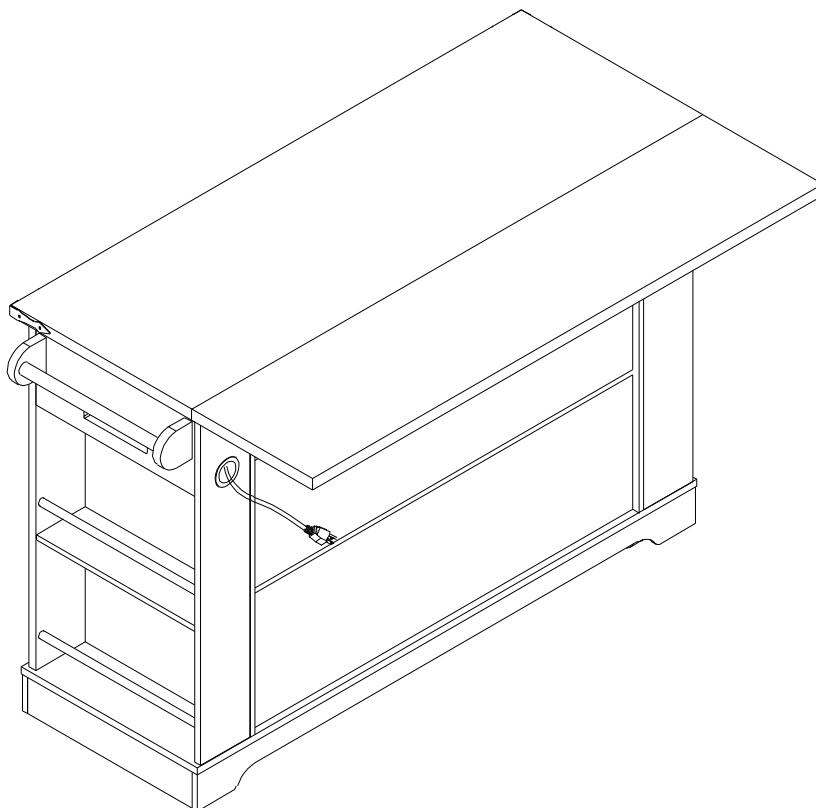


Assembly Instructions

Step 40

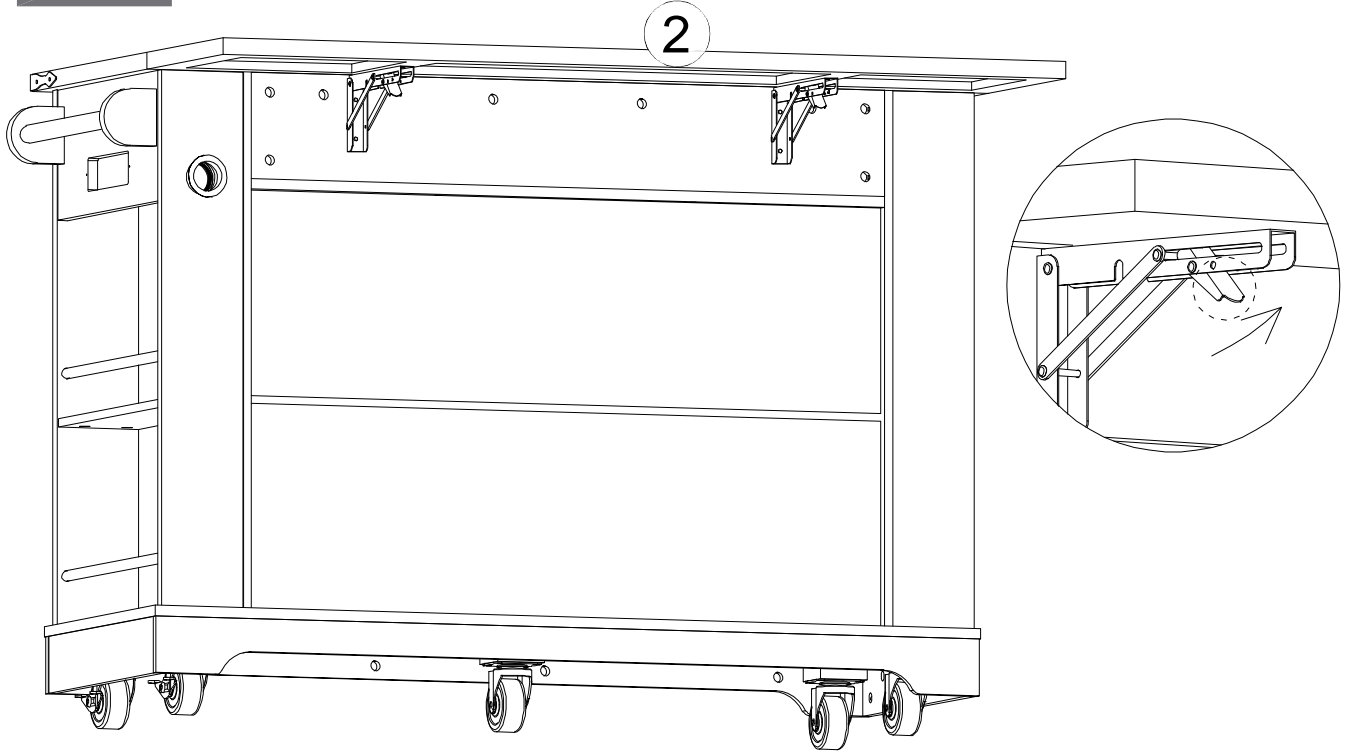


Step 41



Assembly Instructions

Step 42



Step 43

