

## Assembly Instructions



**Tools Needed: Phillips Head Screwdriver**  
*Please read all instructions before assembly.*

**Step 1:** Mount both sides of Seat Cushion (A) onto the rear rib of the steel frame (C.1 or C.2), with special coated Ni-Lock Screws (D) and tighten with screwdriver.

**Step 2:** Place the Back Cushion onto the back rib on top of the side Steel Frame (C.1 or C.2), attach it with the Hex Screws (E) and tighten with screwdriver.

### Assembly Notes:

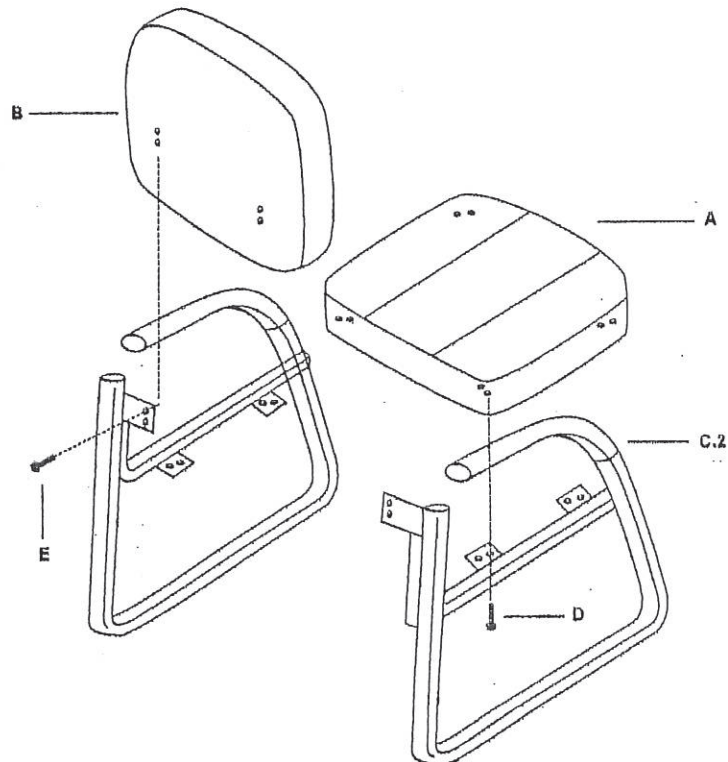
During assembly, hand tighten screw only when all screws are in place, you may then tighten all screws completely.

### CAUTION:

1. Do not use this chair as a step ladder.
2. Check for loose screws and tighten them every 6 months.

WEIGHT CAPACITY: 400 lbs.

407 / 407-VAM Arm version



409 / 409-VAM Armless version

