

Retro-Style Top-mount Refrigerator

FAB50URCR3
 Cream
 Freestanding



The iconic colored refrigerator with a 50's inspired design in a double door version in the largest size, with separate freezer compartment, perfect for adding character to the kitchen without sacrificing cooling performance and the convenience of a practical and functional interior

Features

Automatic ice maker with direct water connection - Constant ice availability thanks to the automatic ice maker, directly connected to the water supply for effortless and uninterrupted production

Inverter compressor - Inverter compressor reduces noise and vibration levels for a quiet and comfortable kitchen environment

Deli drawer - The low temperature of the deli drawer is specially suitable to store frozen food that needs to thaw slowly, such as meat or fish, keeping them in optimal condition

No-Frost system - The No Frost system prevents the formation of ice and contributes to better preservation of food in the refrigerator

General information

Installation	Freestanding
Category	Top-mount
Hinge position	Right

Aesthetic

Color	Cream
Aesthetics	Retro-Style
Display	LED
Display position	Internal

Refrigerator compartment features

No. of adjustable shelves	2
Number of fruit and vegetables drawers	1
Refrigerator lighting	LED
Low temperature compartment	Yes
Shelves material	Glass

Refrigerator Inner Door

Number of adjustable door shelves	3
-----------------------------------	---

Freezer features

Freezer lighting	Yes
------------------	-----

Other Freezer features

Ice maker	Automatic
-----------	-----------

Other technical features

Display functions	Fast-freezing, ECO, Temperature alarm
No. of compressors	1
Compressor type	Inverter

Performance / Energy Label

Annual energy consumption	453 kWh/year
Freezer volume	4.38 cu. ft.

Performance / Energy Label

Energy Star Yes

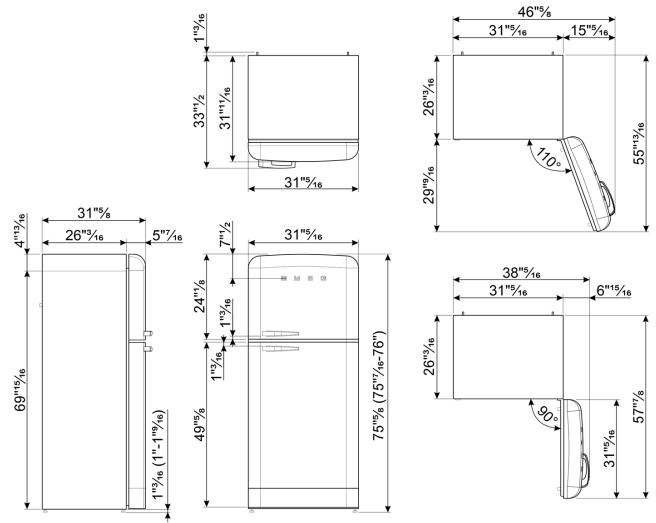
Electrical Connection

Voltage (V)	120 V
Frequency (Hz)	60 Hz
Current	2.6 A
Plug	(B) NEMA 5-15P
Power cord length	70 7/8 "

Logistic Information

Width	31 5/16 "
Height	75 5/8 "
Depth without handle	31 11/16 "
Net weight	251 lbs

Product dimension drawing



Color option



FAB50URBL3
Color: Black
Hinge position: Right



FAB50URCRB3
Color: Cream
Hinge position: Right



FAB50URPB3
Color: Pastel Blue
Hinge position: Right



FAB50URPG3
Color: Pastel green
Hinge position: Right



FAB50URRD3
Color: Red
Hinge position: Right



FAB50URWH3
Color: White
Hinge position: Right