

External Blower

Series 7 | Professional

Stainless Steel

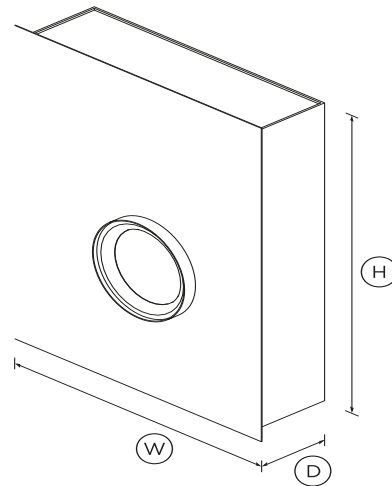


This remote external blower can be placed anywhere, working with a downdraft range hood to extract unwanted grease, smoke and odors.

- Can be paired with a downdraft range hood such as HD36 or HD30
- With the flexibility to be installed outside the kitchen for noise-free extraction
- Powerful 1200CFM maximum airflow

DIMENSIONS

Height	8 1/4"
Width	26 3/4"
Depth	33 1/4"



Product dimensions

Depth	33 1/4"
Height	8 1/4"
Width	26 3/4"

Warranty

Parts and labor	Limited 2 Year Parts & Labor
-----------------	------------------------------

SKU	50047
-----	-------

The product dimensions and specifications in this page apply to the specific product and model. Under our policy of continuous improvement, these dimensions and specifications may change at any time. You should therefore check with Fisher & Paykel's Customer Care Centre to ensure this page correctly describes the model currently available. Â© Fisher & Paykel Appliances Ltd 2019.

SPECIFICATIONS

Fan ratings

Maximum blower air flow	1200CFM
-------------------------	---------

Installation and cleaning

Air outlet size	10"
-----------------	-----

Power requirements

Supply voltage	120VV
----------------	-------

Other product downloads available at fisherpaykel.com



User Guide



Installation Guide



Installation Guide



A PEACE OF MIND SALE

24 Hours 7 Days a Week Customer Support

T 1300 650 590 W www.fisherpaykel.com