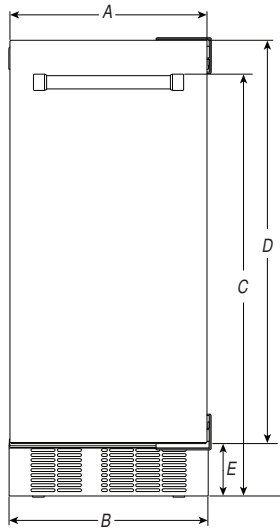


# DETAILED PLANNING DIMENSIONS

## 15" ICE MACHINES

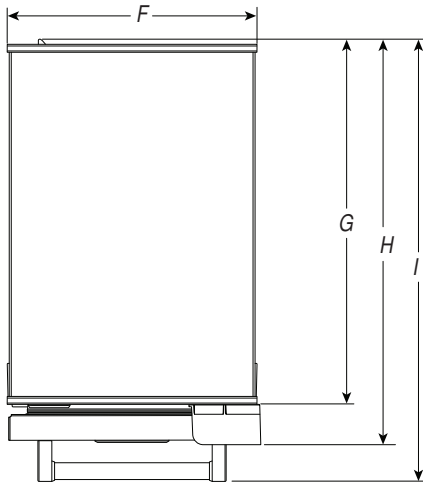
KUIX335H/ KUIX535H – D 24" x W 14<sup>45</sup>/<sub>64</sub>" x H 34<sup>45</sup>/<sub>64</sub>" (depth without handle)

### PRODUCT DIMENSIONS



FRONT VIEW

MODEL #		KUIX335H, KUIX535H	
		in	cm
<b>A</b>	Width	14 <sup>45</sup> / <sub>64</sub>	37.33
<b>B</b>	Width of grille	14 <sup>55</sup> / <sub>64</sub>	37.71
<b>C</b>	Height to top of handle	31 <sup>15</sup> / <sub>32</sub>	79.93
<b>D</b>	Height of door	30 <sup>51</sup> / <sub>64</sub>	76.4
<b>E</b>	Height of grille	3 <sup>29</sup> / <sub>32</sub>	9.93
<b>F</b>	Width of recessed ice machine	14 <sup>29</sup> / <sub>32</sub>	37.81
<b>G</b>	Depth without door	21 <sup>21</sup> / <sub>32</sub>	55.02
<b>H</b>	Depth with door	23 <sup>25</sup> / <sub>32</sub>	60.42
<b>I</b>	Depth with handle	26 <sup>17</sup> / <sub>64</sub>	66.7



TOP VIEW

**IMPORTANT:** Dimensional specifications are provided for planning purposes only. Do not make any cutouts based on this information. Refer to the Installation or Use & Care Guide before selecting cabinetry, verifying electrical/gas connections, making cutouts or beginning installation. All KitchenAid® appliances are appropriately UL, CUL or CSA approved.

**KitchenAid®**

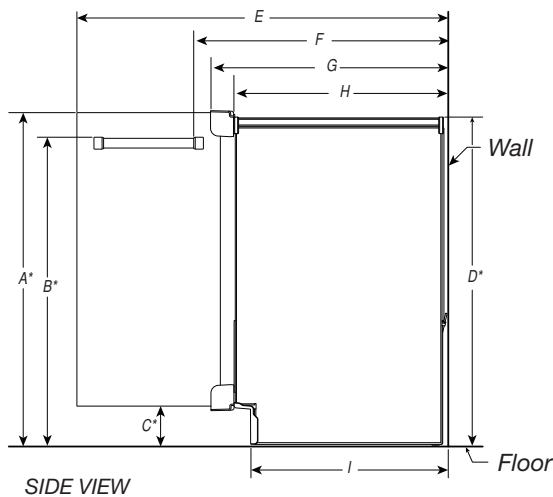
# DETAILED PLANNING DIMENSIONS

## 15" ICE MACHINES

KUIX335H/ KUIX535H – D 24" x W 14<sup>45/64</sup>" x H 34<sup>45/64</sup>" (depth without handle)

	MODEL #	KUIX335H, KUIX535H	
		in	cm
<b>A*</b>	Height to top of door (min.)	34 <sup>61/64</sup>	86.23
<b>B*</b>	Height to top of handle (min.)	31 <sup>7/16</sup>	79.83
<b>C*</b>	Height to top of grille (min.)	3 <sup>7/8</sup>	9.83
<b>D*</b>	Height of recessed ice machine (min.)	33 <sup>35/64</sup>	85.23
<b>E</b>	Depth with door open 90° (min.)	39 <sup>1/8</sup>	99.39
<b>F</b>	Depth with handle (min.)	26 <sup>17/64</sup>	66.72
<b>G</b>	Depth with door (min.)	23 <sup>13/16</sup>	60.47
<b>H</b>	Depth without door (min.)	21 <sup>33/64</sup>	54.67
<b>I</b>	Depth of grille (min.)	19 <sup>61/64</sup>	50.67

\* Add 1" (2.5 cm) to the height dimension when leveling legs are fully extended.



**IMPORTANT:** Dimensional specifications are provided for planning purposes only. **Do not make any cutouts based on this information.** Refer to the Installation or Use & Care Guide before selecting cabinetry, verifying electrical/gas connections, making cutouts or beginning installation. All KitchenAid® appliances are appropriately UL, CUL or CSA approved.



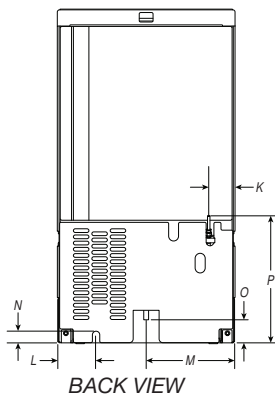
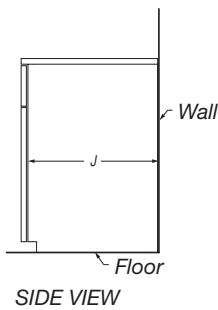
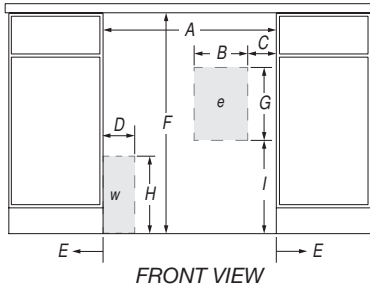
In some European factories the letter "W" of the part code mentioned herein will be automatically replaced by the number "4000" (e.g. "W12345678" becomes "400012345678")

# DETAILED PLANNING DIMENSIONS

## 15" ICE MACHINES

KUIX335H/ KUIX535H – D 24" x W 14<sup>45/64</sup>" x H 34<sup>45/64</sup>" (depth without handle)

### OPENING/CLEARANCE DIMENSIONS



MODEL #		KUIX335H, KUIX535H	
		in	cm
A*	Width (min.)	15	38.1
	Width without hinge side spacer option (min.)	15	38.1
	Width with hinge side spacer option (min.)	15 <sup>3/4</sup>	40.0*
B*	Width of outlet location	6	15.0
C*	Outlet location – distance from side	1	2.5
D*	Width of water connection location	3 <sup>1/2</sup>	8.9
E	Minimum width from hinged side of ice machine to fixed wall – door open 90°	2	5.1
	Minimum width from hinged side of ice machine to fixed wall – door fully open 180°	13 <sup>1/4</sup>	33.7
	Minimum width from hinged side of ice machine to fixed wall – door fully open 118°	6 <sup>7/8</sup>	17.4
F	Height (min.)	34	86.4
G	Height of outlet location	8	20.3
H	Height of water connection location	9	22.9
I	Outlet location – distance from bottom	12	30.5
J	Depth of cabinet (min.)	24	61.0
K	Water line location – distance from side	2 <sup>33/64</sup>	6.41
L	Power supply – distance from side	3 <sup>49/64</sup>	9.58
M	Drain hose – distance from side	7 <sup>5/16</sup>	18.57
N	Power supply – distance from bottom	1 <sup>1/4</sup>	3.17
O	Drain hose – distance from bottom	2 <sup>43/64</sup>	6.79
P	Water line location – distance from bottom	11 <sup>9/16</sup>	29.38
e	Recommended electrical connection location		
w	Recommended water connection location		

\* Install 3/4" (1.9 cm) front hinge-side spacer flush with face of adjacent cabinet and 3/4" (1.9 cm) back hinge-side spacer 6" (15.2 cm) from back wall.

### ELECTRICAL REQUIREMENTS

115 V, 60 Hz, AC only, 15 or 20 A fused, grounded circuit is required. A dedicated circuit is recommended. Use an outlet that cannot be turned off by a switch. Do not use an extension cord.

### WATER PRESSURE REQUIREMENTS

A cold water supply with water pressure between 30 and 120 psi (207 and 827 kPa) is required to operate the ice maker. Call a licensed, qualified plumber with any questions about the water pressure.

**IMPORTANT:** Dimensional specifications are provided for planning purposes only.

**Do not make any cutouts based on this information.** Refer to the Installation or Use & Care Guide before selecting cabinetry, verifying electrical/gas connections, making cutouts or beginning installation. All KitchenAid® appliances are appropriately UL, CUL or CSA approved.

W11349805A

### Reverse Osmosis Water Supply

**IMPORTANT:** The use of a reverse osmosis system with this product is not recommended. However if you do use reverse osmosis, follow these instructions.

**IMPORTANT:** The pressure of the water coming out of a reverse osmosis system going to the water inlet valve of the ice machine needs to be between 30 and 120 psi (207 and 827 kPa). If a reverse osmosis water filtration system is connected to the cold water supply, the water pressure to the reverse osmosis system needs to be a minimum of 40 to 60 psi (276 to 414 kPa).

**KitchenAid®**

©/™ 2019 KitchenAid. All rights reserved.

03/19

In some European factories the letter "W" of the part code mentioned herein will be automatically replaced by the number "4000" (e.g. "W12345678" becomes "400012345678")