

A (4)



M6X80 mm

B (2)



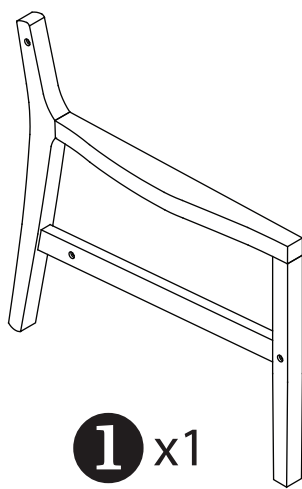
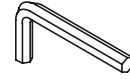
M6X60 mm

C (4)

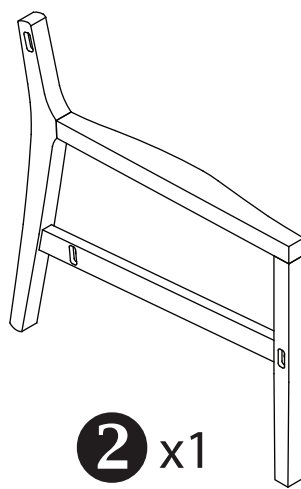


M4X30 mm

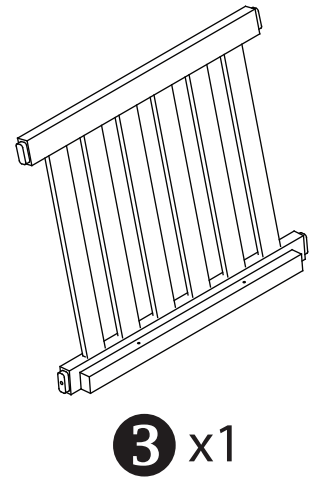
D (1)



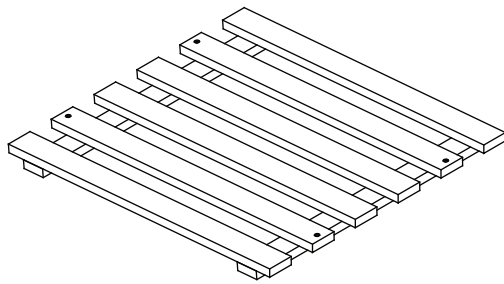
1 x1



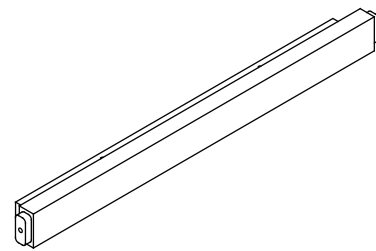
2 x1



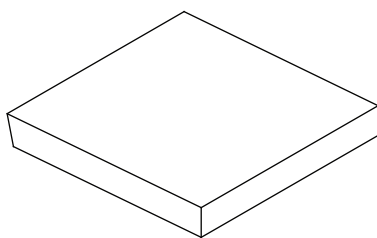
3 x1



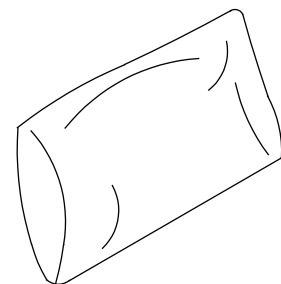
4 x1



5 x1

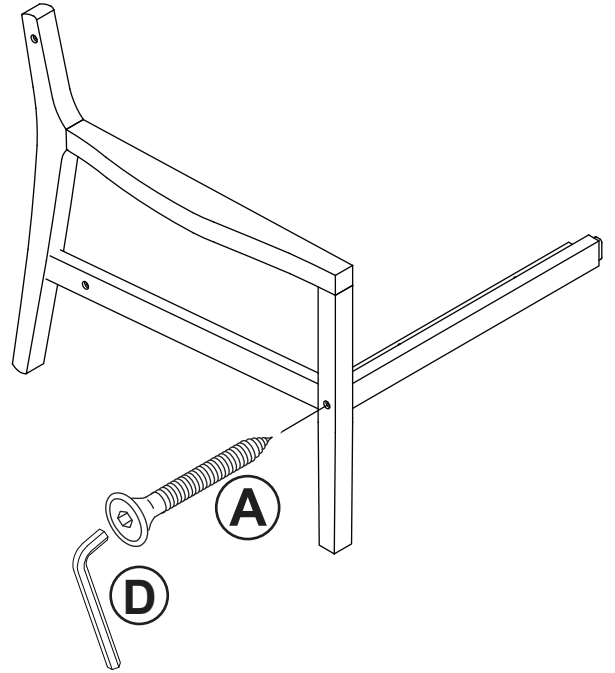
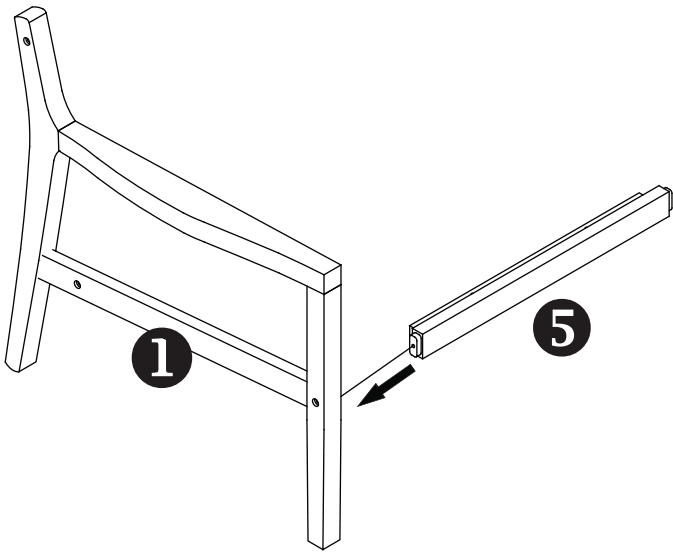


6 x1

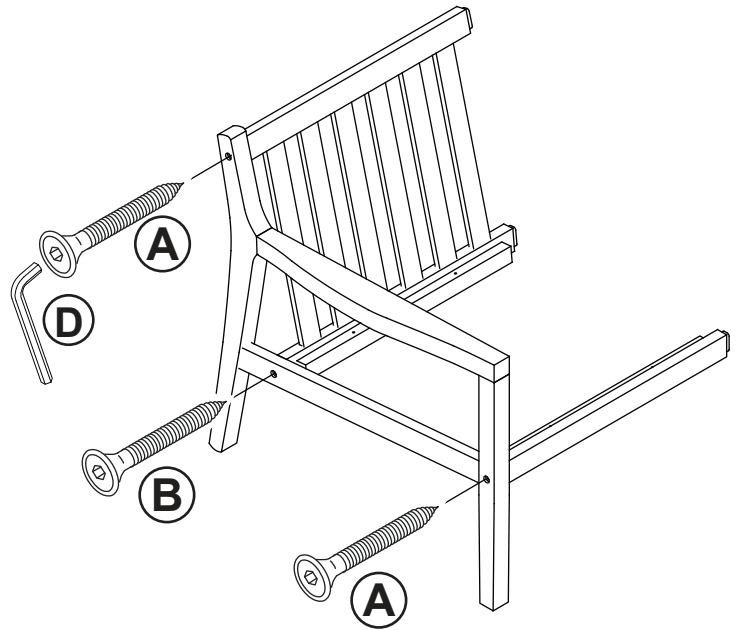
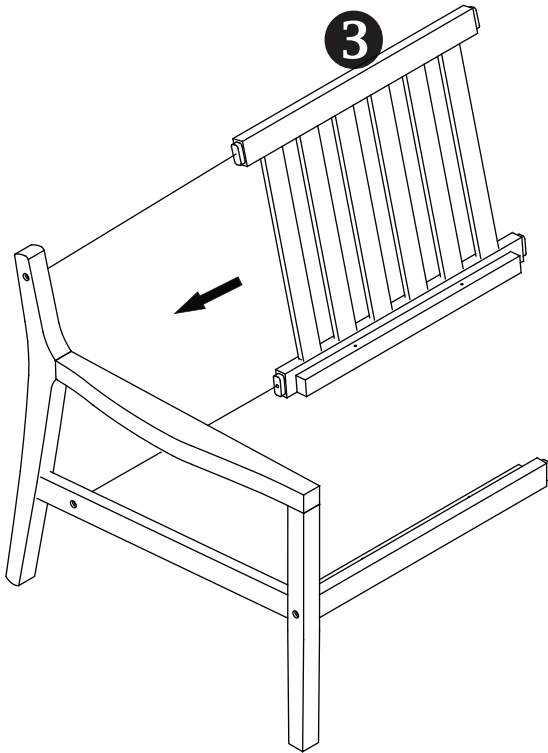


7 x1

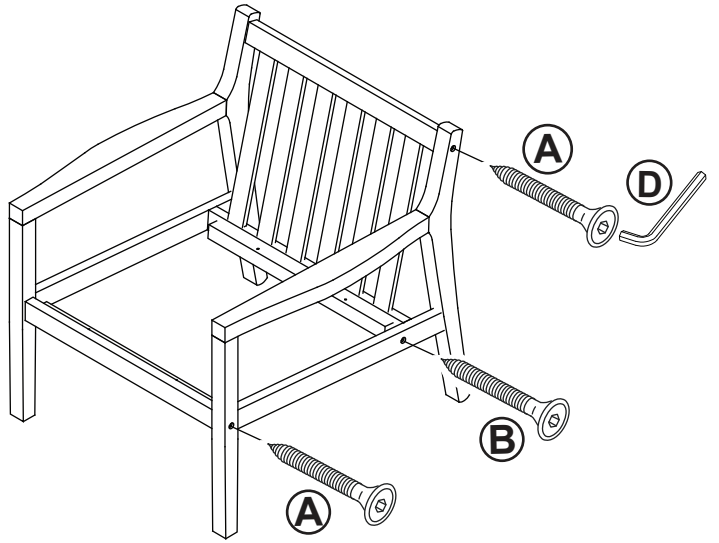
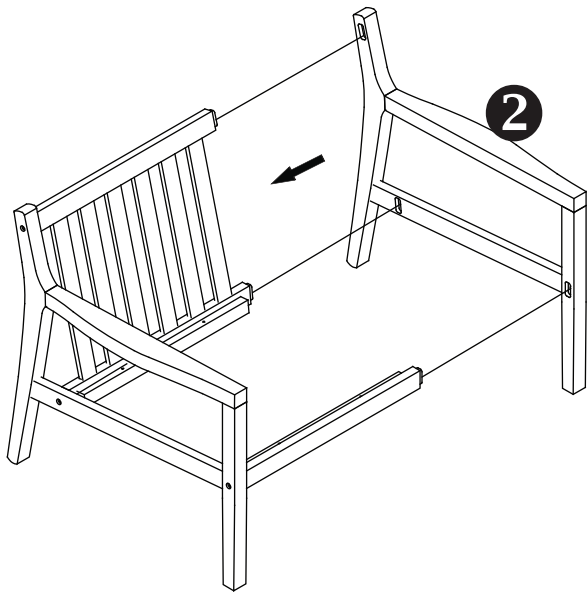
①



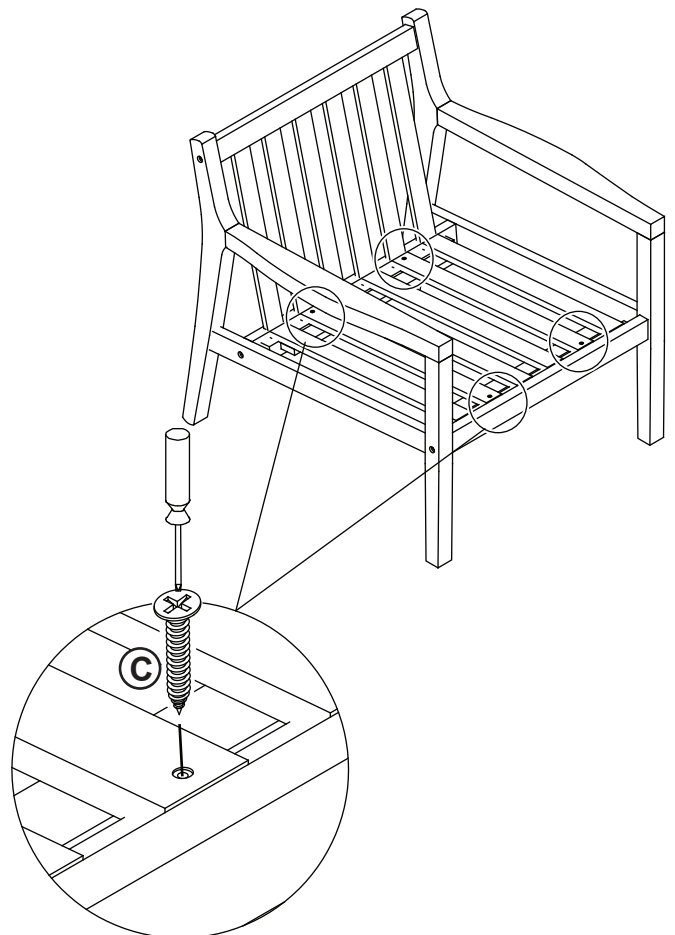
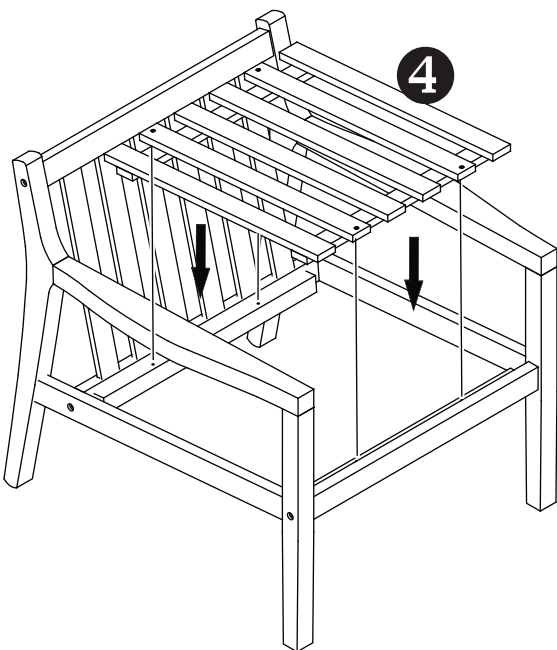
②



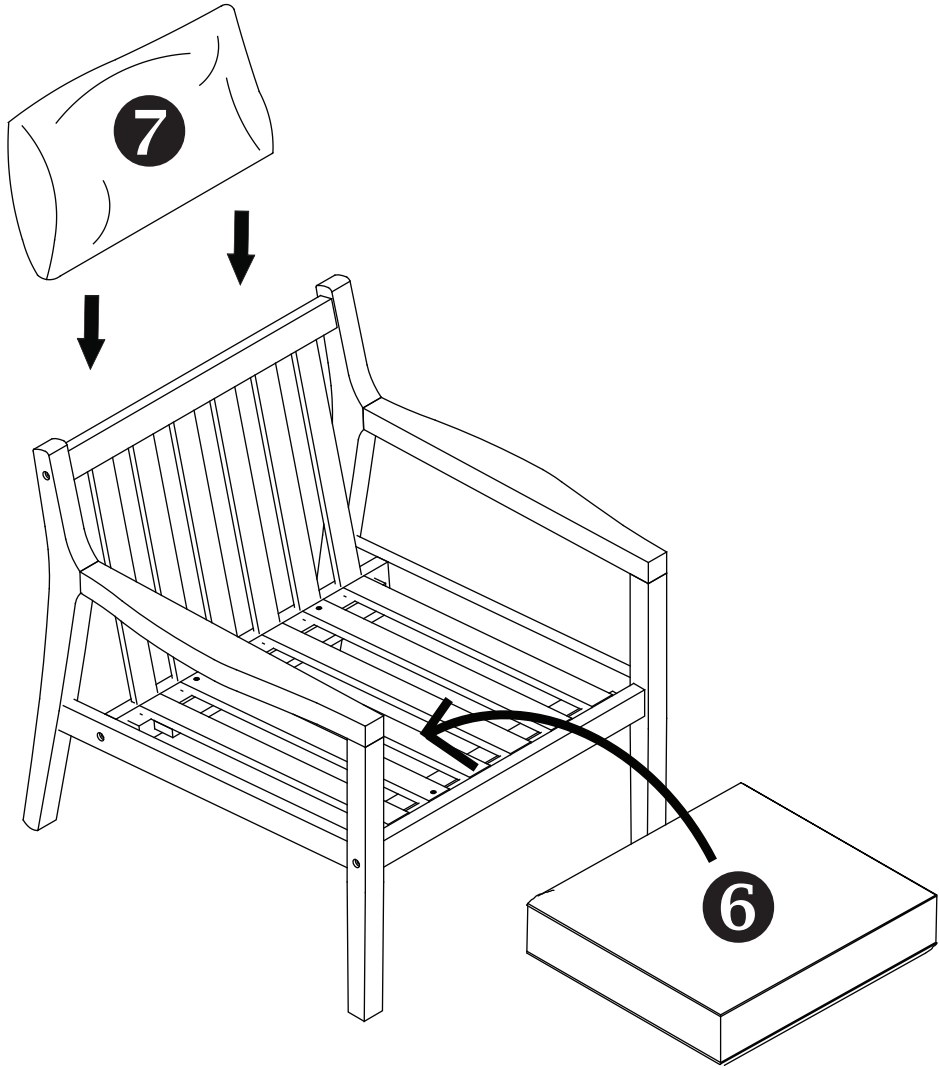
3



4



⑤



⑥

