



C A F É

DISTINCT BY DESIGN

Owner's Manual





DISTINCT BY DESIGN™

Owner's Manual and Installation Instructions

Undercounter Wine Center

CCP06DP*****

CCR06DM*****

Contents

Safety Information	3	Product Clearances	11
Using the Wine Center		Removing Packaging	11
Controls	6	Reversing the Door Swing	12
WiFi	7	Door Adjustment	14
Full Extension Drawers	8	Handle Installation	14
Insert Wine Bottles	8	Method 1 - Undercounter Installation	15
Care And Cleaning	9	Method 2 - Freestanding Installation	16
Cleaning the Outside	9	Connect to Power	16
Cleaning the Inside	9	Complete Installation	16
Vacation and Moving	9	Troubleshooting Tips	17
Installation Instructions		Limited Warranty	19
Wine Center Dimensions	11	Consumer Support	20
The Installation Space	11		

Write the model and serial numbers here:

Model # _____

Serial # _____

Find these numbers on a label inside of your wine center on the left side near the top.

ENGLISH/FRANÇAIS/ESPAÑOL

THANK YOU FOR MAKING CAFÉ A PART OF YOUR HOME.

We take pride in the craftsmanship, innovation and design that goes into every Café product, and we think you will too. Among other things, registration of your appliance ensures that we can deliver important product information and warranty details when you need them.

Register your Café appliance now online. Helpful websites are available in the Consumer Support section of this Owner's Manual. You may also mail in the pre-printed registration card included in the packing material.

C A F É

DISTINCT BY DESIGN™

IMPORTANT SAFETY INFORMATION

READ ALL INSTRUCTIONS BEFORE USING THE APPLIANCE

⚠ WARNING To reduce the risk of fire, explosion, electric shock, or injury when using your refrigerator, follow these basic safety precautions:

- Use this appliance only for its intended purpose as described in this Owner's Manual.
- This appliance must be properly installed and located in accordance with the Installation Instructions before it is used.
- Unplug the appliance before making repairs, replacing a light bulb, or cleaning.
NOTE: Power to the appliance cannot be disconnected by any setting on the control panel.
NOTE: Repairs must be performed by a qualified Service Professional.
- Replace all parts and panels before operating.
- Do not use an extension cord.
- Keep flammable materials and vapors away from the refrigerator.
- Do not store explosive substances such as aerosol cans with a flammable propellant in this appliance.
- To prevent suffocation and entrapment hazards to children, remove the doors from any appliance before disposing of it or discontinuing its use.
- To avoid serious injury or death, children should not stand on, or play in or with the appliance.
- Children and persons with reduced physical, sensory or mental capabilities or lack of experience and knowledge can use this appliance only if they are supervised or have been given instructions on safe use and understand the hazards involved.
- This appliance is intended to be used in household and similar applications such as: staff kitchen areas in shops, offices and other working environments; farm houses; by clients in hotels, motels, bed & breakfast and other residential environments; catering and similar non-retail applications.
- Do not apply harsh cleaners to the appliance. Certain cleaners will damage plastic which may cause parts such as the door or door handles to detach unexpectedly. See the Care and Cleaning section for detailed instructions.

⚠ CAUTION To reduce the risk of injury when using your refrigerator, follow these basic safety precautions.

- Keep fingers out of the "pinch point" areas; clearances between the doors and cabinet are necessarily small. Be careful closing doors when children are in the area.

⚠ WARNING  **Fire or Explosion Hazard**

Keep flammable materials and vapors away from appliance. Failure to do so can result in fire, explosion, or death.

⚠ WARNING To reduce the risk associated with choking, do not allow children under 3 years of age to have access to small parts during the installation of this product.

⚠ WARNING **EXCESS WEIGHT HAZARD**

Use two or more people to move and install wine center. Failure to do so can result in back or other injury.

READ AND SAVE THESE INSTRUCTIONS

IMPORTANT SAFETY INFORMATION

READ ALL INSTRUCTIONS BEFORE USING THE APPLIANCE

CONNECTING ELECTRICITY

⚠ WARNING ELECTRICAL SHOCK HAZARD

Plug into a grounded 3-prong outlet
 Do not remove the ground prong
 Do not use an adapter
 Do not use an extension cord.
 Failure to follow these instructions can result in death, fire, or electrical shock.

Do not, under any circumstances, cut or remove the third (ground) prong from the power cord. For personal safety, this appliance must be properly grounded.

The power cord of this appliance is equipped with a 3-prong (grounding) plug which mates with a standard 3-prong (grounding) wall outlet to minimize the possibility of electric shock hazard from this appliance. Have the wall outlet and circuit checked by a qualified electrician to make sure the outlet is properly grounded.

Where a standard 2-prong wall outlet is encountered, it is your personal responsibility and obligation to have it replaced with a properly grounded 3-prong wall outlet. Do not use an adapter.

The refrigerator should always be plugged into its own individual electrical outlet which has a voltage rating that matches the rating plate.

A 115 Volt AC, 60 Hz, 15- or 20-amp fused, grounded electrical supply is required. This provides the best performance and also prevents overloading house wiring circuits which could cause a fire hazard from overheated wires.

Never unplug your wine center by pulling on the power cord. Always grip plug firmly and pull straight out from the outlet.

Immediately discontinue use of a damaged supply cord. If the supply cord is damaged, it must be replaced by a qualified service professional with an authorized service part from the manufacturer.

When moving the wine center away from the wall, be careful not to roll over or damage the power cord.

PROPER DISPOSAL OF YOUR OLD APPLIANCE

⚠ WARNING SUFFOCATION AND ENTRAPMENT HAZARD

Failure to follow these disposal instructions can result in death or serious injury

IMPORTANT: Child entrapment and suffocation are not problems of the past. Junked or abandoned appliances are still dangerous even if they will sit for “just a few days.” If you are getting rid of your old refrigerator, please follow the instructions below to help prevent accidents.

Before You Throw Away Your Old Appliance

- Take off the doors.
- Leave the drawers in place so that children may not easily climb inside.

Refrigerant and Foam Disposal:

Dispose of appliance in accordance with Federal and Local Regulations. Flammable refrigerant and insulation material used requires special disposal procedures. Contact your local authorities for the environmentally safe disposal of your appliance.

READ AND SAVE THESE INSTRUCTIONS

IMPORTANT SAFETY INFORMATION

READ ALL INSTRUCTIONS BEFORE USING THE APPLIANCE

⚠️ WARNING  **FIRE OR EXPLOSION HAZARD** Flammable Refrigerant

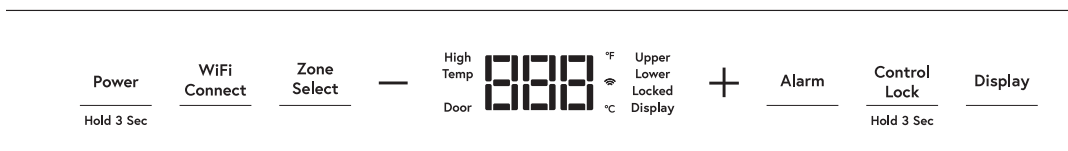
This appliance contains isobutane refrigerant, also known as R600a, a natural gas with high environmental compatibility. However, it is also combustible. Adhere to the warnings below to reduce the risk of injury or property damage.

1. When handling, installing and operating the appliance, care should be taken to avoid damage to the refrigerant tubing.
2. Service shall only be performed by authorized service personnel. Use only manufacturer-authorized service parts.
3. Dispose of appliance in accordance with Federal and Local Regulations. Flammable refrigerant and insulation material used require special disposal procedures. Contact your local authorities for the environmentally safe disposal of your refrigerator.
4. Keep ventilation openings in the appliance enclosures or in the built-in structure clear of obstruction.
5. To remove frost, scrape with a plastic or wood spatula or scraper. Do not use an ice pick, metal, or sharp-edged instrument as it may puncture the wine center liner and then the flammable refrigerant tubing behind it.
6. Do not use electrical appliances inside the food storage compartment of the appliance.
7. Do not use any electrical device in defrosting your wine center.

READ AND SAVE THESE INSTRUCTIONS

Using the Wine Center

CONTROLS



Temperature Setting

The temperature range of both wine center zones is 41°F (5°C) to 61°F (16°C).

The temperature display can show only one zone temperature at a time. “Upper” or “Lower” is displayed to the right of the temperature to indicate the selected zone. Use the **Zone Select** button to select the zone that you want to view or change.

Use the **+** and **-** buttons to increase or decrease the temperature settings.

°C and °F Conversion

Press and hold **+** and **Display** for 3 seconds. The temperature display will change from degrees Fahrenheit to degrees Celsius. Press and hold **+** and **Display** for 3 seconds again to switch back to Fahrenheit.

Turn On/Off Cooling

Press and hold **Power** for 3 seconds to turn off cooling and lighting. This does not disconnect power to the wine center.

Door Alarm

Sounds an alert when the door has been left open. The alert stops when the door is closed. Snooze the alert by pressing the **Alarm** button. Disable the door alarm by pressing and holding **-** and **Alarm** for 3 seconds. Press and hold **-** and **Alarm** for 3 seconds, to reactivate the feature.

High Temperature Alert

Sounds an alert when the temperature is outside of the normal range. Snooze the alert by pressing the **Alarm** button. Disable the High Temperature Alert by pressing and holding **Display** and **Alarm** for 3 seconds. Press and hold **Display** and **Alarm** for 3 seconds, to reactivate the feature.

Child Control Lockout

This child control lockout feature prevents unwanted changes to the settings of your wine center.

To lock, press and hold **Control Lock** for 3 seconds. To unlock, press and hold **Control Lock** for 3 seconds.

Proximity Lighting

The interior lighting is activated when someone approaches the wine center. To turn off this feature, press and hold **Alarm**, **Display** and **Control Lock** for 3 seconds. Press and hold **Alarm**, **Display** and **Control Lock** for 3 seconds again to reactivate the feature.

Display Mode

The interior light enhances the display of your collection. Press the **Display** button to activate display mode. In display mode the interior lighting will remain on even when the door is closed and proximity lighting is off. Press the **Display** button again to exit display mode.

Sabbath Mode

The Sabbath Mode was designed for use on the Jewish Sabbath and Holidays. The Sabbath Mode feature makes it possible for observant Jews to use the wine center during the duration of the holiday.

The Sabbath Mode feature can be set to override typical reactions caused by your interaction with the wine center. While in the Sabbath Mode, your appliance will still operate. However, it will not respond to your actions.

While in the Sabbath Mode, you may notice the fan running when the door is opened, however, this is not a result of your actions. The compressor and fan will operate at predetermined times.

ON/OFF - To activate the Sabbath Mode, press and hold down the **-** and **DISPLAY** for 5 seconds. **SA** will be displayed on the control. **SA** will remain in the display and all the control settings will be frozen and stay on the last mode before entering Sabbath Mode. Controls and lights will not work until the **-** and **DISPLAY** are held again for 5 seconds to exit Sabbath Mode.



Lockout Mode


For when you are away and don't want others opening your wine center. As soon as the door is opened the door alarm will sound. The interior lighting will remain off. If the wine center is connected to wifi, a notification can be received through the app that the door has been opened.

This feature can be enabled / disabled using the app. If your connected device is not available the feature can be enabled with a press and hold of **+** and **Control Lock** for 3 seconds. Press and hold **+** and **Control Lock** again for 3 seconds to disable the feature.

Using the Wine Center

APPLIANCE COMMUNICATION

WiFi (for customers in the United States, its territories, and Canada)

- Download the **SmarthQ** app.
 - Available for iPhone from the Apple Store or from link at **GEAppliances.com**.
 - Available for Android from Google Play or from link at **GEAppliances.com**.
- Select **Create Account** on app.
 - Enter information, and select **Register**. An e-mail will be generated.
 - When you receive the e-mail, select **Verify Account**.
 - Sign in with your credentials and select **Authorize** to allow the app to communicate with your wine center.
- Set up the app.
 - Press the  at the top of the screen.
 - Choose **Cafe > Refrigeration > Wine Center**.
 - The info button will show a picture of the touch display on the appliance. Select **OK**.
 - Select **Next**.
- Press **WiFi Connect** on the control. The WiFi symbol will start flashing on the display.
 - Select **Next** in the app.
- Find the password inside the refrigerator door on the “Connected Appliance Information” label.
 - Enter the password into the app.
- Connect to the refrigerator’s WiFi Module in the phone’s WiFi settings, then return back to the **SmarthQ** app and select **Next**.
 - The WiFi will have the format “GE_MODULE_XXXX”. The module number can also be found on the Connected Appliance Information label inside the fridge door.
 - Connect to the home WiFi network and type in the home WiFi password.
 - If all check marks appear and the user gets a screen that says the device is connected, the device has been successfully connected.
 - If the app fails to connect, the app will display the “Oops! Something Went Wrong” screen. The user will be given possible reasons why connection failed and the option to retry.

REGULATORY INFORMATION

FCC/IC Compliance Statement:

This device complies with Part 15 of the FCC Rules. Operation is subject to the following two conditions:

1. This device may not cause harmful interference, and
2. This device must accept any interference received, including interference that may cause undesired operation.

This equipment has been tested and found to comply with the limits for a Class B digital device, pursuant to Part 15 of the FCC Rules. These limits are designed to provide reasonable protection against harmful interference in a residential installation. This equipment generates uses and can radiate radio frequency energy and, if not installed and used in accordance with the instructions, may cause harmful interference to radio communications. However, there is no guarantee that interference will not occur in a particular installation. If this equipment does cause harmful interference to radio or television reception, which can be determined by turning the equipment off and on, the user is encouraged to try to correct the interference by one or more of the following measures:

- Reorient or relocate the receiving antenna.
- Increase the separation between the equipment and receiver.
- Connect the equipment into an outlet on a circuit different from that to which the receiver is connected.
- Consult the dealer or an experienced radio/television technician for help.

Labelling: Changes or modifications to this unit not expressly approved by the manufacturer could void the user’s authority to operate the equipment.

Using the Wine Center

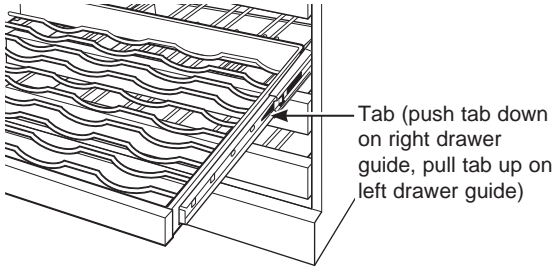
FULL EXTENSION DRAWERS

All of the full extension drawers pull out so bottles can be conveniently added or removed.

Any of the full extension drawers can be removed to store larger bottles.

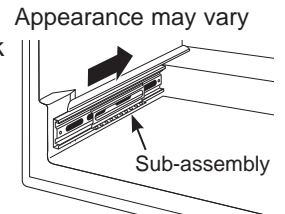
To remove:

1. Pull the full extension drawer out to the STOP position.
2. Push the tab on right drawer guide down while pulling the tab on left guide up, and pull the drawer out.

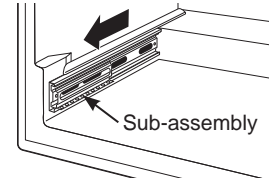


To replace:

1. Push the drawer slide arm back into the unit.
2. Pull the small slide sub-assembly completely forward.
3. Insert the sides of the drawer back into the guides.
4. Push until the tabs lock into place.



To replace, push drawer slide arm back into unit



Pull small slide sub-assembly completely forward

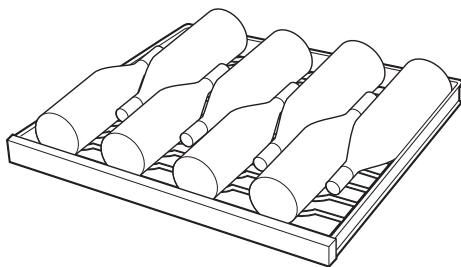
NOTE: Make sure the tabs on the full extension drawer guides are fully engaged before loading any bottles. Pull the drawers out all the way to the STOP position and push back in several times to make sure locking tabs are properly engaged.

INSERT WINE BOTTLES

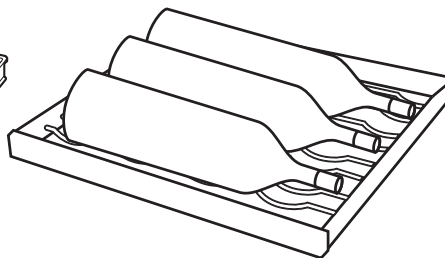
The top five full extension drawers each hold eight bottles, two deep with the necks alternating front to back.

The top shelf in each zone can store larger bottles by orienting them sideways. The other full depth shelves can hold 7 bottles in the sideways orientation. This orientation provides additional length that may be needed for some bottle shapes.

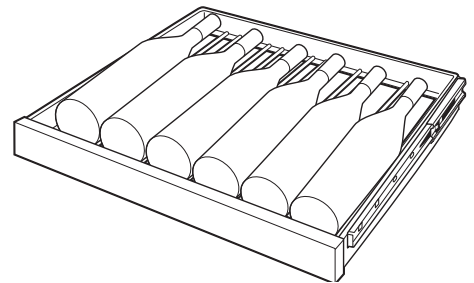
The bottom full extension drawer holds six bottles and is loaded with necks facing the rear.



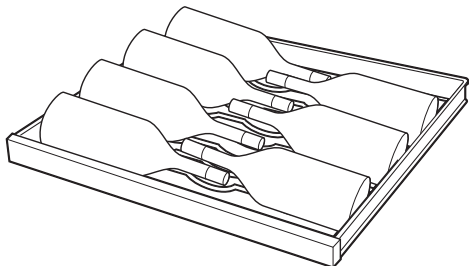
8 bottle arrangement



Large bottle arrangement - top shelf of both zones



Bottom drawer



7 bottle arrangement

Care and Cleaning

CLEANING THE OUTSIDE

Fingerprint Resistant Stainless Steel*

 **DO NOT use Stainless Steel cleaners on the door surfaces.** 

IMPORTANT: The use of incorrect products may damage the outer finish of Fingerprint Resistant Stainless. Please follow these instructions and use only the appropriate items below to clean your appliance surfaces.

- Clean interior/exterior surfaces with warm water, mild soap or detergent, and a soft or microfiber cloth to avoid damage.
- Wipe the appliance surface dry with a soft clean cloth or microfiber towel to avoid streaking or water spotting.

DO USE	DO NOT USE								
Soft, clean cloth or sponge Microfiber cloth	Abrasive cloths, paper towels, scrubbing sponges (with or without soap), scouring or steel wool pads								
Mild detergent mixed with warm water	<table border="0"> <tr> <td>Abrasive powders, liquids, or sprays</td> <td>Oven cleaners</td> </tr> <tr> <td>Window sprays, ammonia, or bleach</td> <td>Alkaline cleaners</td> </tr> <tr> <td>Citrus or plant oil-based cleaners</td> <td>Stainless steel cleaners</td> </tr> <tr> <td>Acidic or vinegar-based cleaners</td> <td></td> </tr> </table>	Abrasive powders, liquids, or sprays	Oven cleaners	Window sprays, ammonia, or bleach	Alkaline cleaners	Citrus or plant oil-based cleaners	Stainless steel cleaners	Acidic or vinegar-based cleaners	
Abrasive powders, liquids, or sprays	Oven cleaners								
Window sprays, ammonia, or bleach	Alkaline cleaners								
Citrus or plant oil-based cleaners	Stainless steel cleaners								
Acidic or vinegar-based cleaners									

*Easily wipe away smudges and fingerprints.

CLEANING THE INSIDE

 **WARNING**  **Electrical Shock Hazard**

Unplug the appliance before cleaning. If the unit is in a built-in location, remove power at the circuit breaker.

 **WARNING**  **Risk of Fire or Explosion.**


Flammable Refrigerant

To remove frost, scrape with a plastic or wood spatula or scraper. Do not use an ice pick or a metal or sharp-edged instrument as it may puncture the appliance liner and then the refrigerator tubing behind it.

Do not use any electrical device to defrost your appliance.

If this is not practical, wring excess moisture out of sponge or cloth when cleaning around switches, lights or controls.

Use warm water and baking soda solution—about a tablespoon (15 ml) of baking soda to a quart (1 liter) of water. This both cleans and neutralizes odors. Rinse and wipe dry.

 **CAUTION** Do not clean glass shelves or covers with warm water when they are cold. Glass shelves and covers may break if exposed to sudden temperature changes or impact such as bumping or dropping. Tempered glass is designed to shatter into many small pieces if it breaks.

Do not wash any plastic wine center parts in the dishwasher.

VACATION AND MOVING

Vacation

If you will be away for an extended period of time and do not want to leave the appliance on while you are gone, prepare it for your absence.

1. Remove all items.
2. Press and hold POWER on the control panel for 3 seconds to turn off cooling.
3. Unplug or disconnect power.
4. Clean the interior. See “Cleaning.”
5. Prop door open, so air can circulate inside.

Preparing to Move

Secure all loose items such as shelves and drawers by taping them securely in place to prevent damage. Be sure the wine center stays in an upright position during moving.

Installation Instructions

Wine Center

Questions? Visit our Website at: cafeappliances.com
 In Canada, visit cafeappliances.ca

BEFORE YOU BEGIN

Read these instructions completely and carefully.

- **IMPORTANT** — Observe all governing codes and ordinances. Save these instructions for local inspector's use.
- **Note to Installer** – Be sure to leave these instructions with the Consumer.
- **Note to Consumer** – Keep these instructions for future reference.
- **Skill level** – Installation of this appliance requires basic mechanical skills.
- **Completion time** – Wine center Installation can vary
- Proper installation is the responsibility of the installer.
- Product failure due to improper installation is not covered under the Warranty.

▲ WARNING EXCESS WEIGHT HAZARD

Use two or more people to move and install wine center. Failure to do so can result in back or other injury.

IMPORTANT: Handle with care when moving wine center to avoid either damaging the refrigerant tubing or increasing the risk of a leak.

IMPORTANT: If the wine center has been placed in a horizontal position for any period of time, wait one hour before plugging in to allow the refrigerant to settle.

LOCATION REQUIREMENTS

IMPORTANT: Before use, this wine center must be installed properly.

NOTE: Allow the wine center to sit upright on its base for at least one hour before installation.

- Do not install the wine center where the temperature will go below 55°F (13°C) because it will not run often enough to maintain proper temperatures.
- Do not install the wine center where the temperature will go above 110°F (43°C) because it will not perform properly.
- Install it on a floor strong enough to support it fully loaded.
- Do not install the wine center in a location exposed to water (rain, etc.) or direct sunlight.

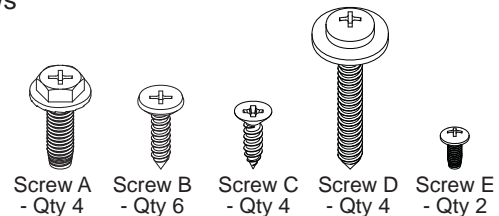
TOOLS NEEDED

- Phillips Screwdriver
- Measuring Tape
- Carpenter's Level
- Flathead screwdriver

PARTS SUPPLIED

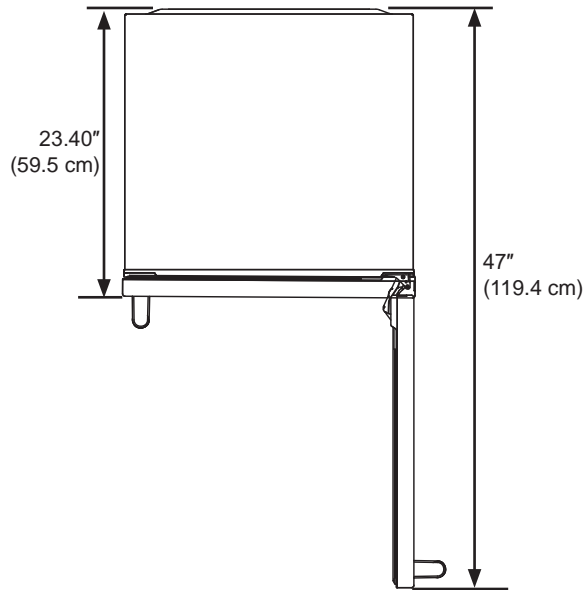
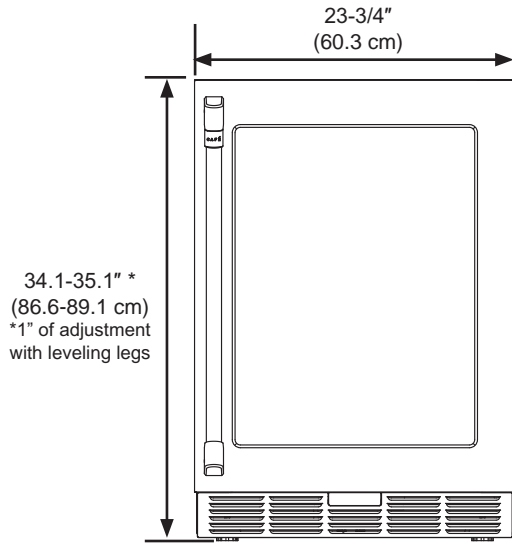
- Anti-tip Brackets (Qty 4)
- Toe Kick Brackets (Qty 2)
- Protective Guard (Qty 1)
- Toe Kick (Qty 1)
- Handle (Qty 1)
- 1/8" Allen Wrench (Qty 1)

Screws

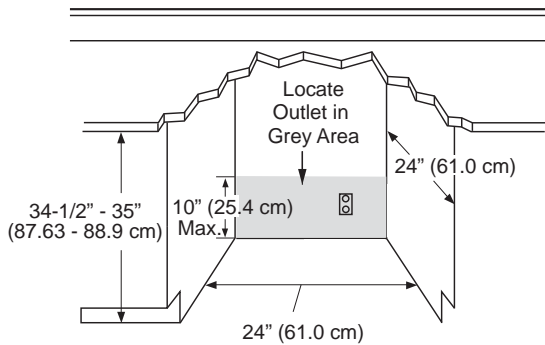


Installation Instructions

WINE CENTER DIMENSIONS



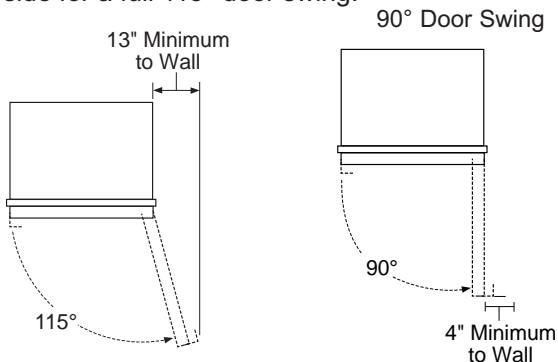
THE INSTALLATION SPACE



PRODUCT CLEARANCES

When installed in a corner:

- Allow 4" (10 cm) min. clearance on the hinge side for the 90° door swing and to allow racks to slide out.
- Allow 13" (33 cm) minimum clearance on the hinge side for a full 115° door swing.



REMOVE PACKAGING

NOTE: The toekick and door handle (some models) are included in the packaging which covers the top of the unit. A wrench for the handle installation is included in the accessory bag located inside the wine center.

- Remove tape and glue residue from surfaces before turning on the wine center. Rub a small amount of liquid dish soap over the adhesive with your fingers. Wipe with warm water and dry.

NOTE: Do not use sharp instruments, rubbing alcohol, flammable fluids, or abrasive cleaners to remove tape or glue. These products can damage the surface of your wine center. For more information, see "Wine Center Safety."

- Dispose of/recycle all packaging materials.

⚠ WARNING Small objects are a choke hazard for children. Remove and discard any parts not used.

CLEAN BEFORE USING

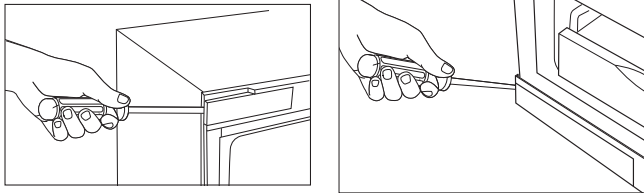
After you remove all of the packaging materials, clean the inside of the wine center before using it. See the cleaning instructions in "Wine Center Care."

Installation Instructions

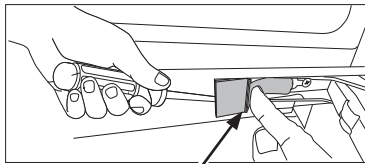
INSTALLING THE WINE CENTER

REVERSING THE DOOR SWING - MODELS WITH CAFE HANDLE - CCP06DP****

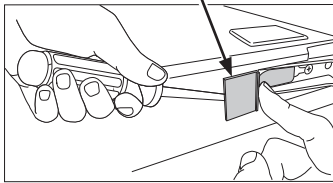
1. Open the door and use a flat head screw driver to remove the top and bottom covers from the cabinet opposite the hinge side.



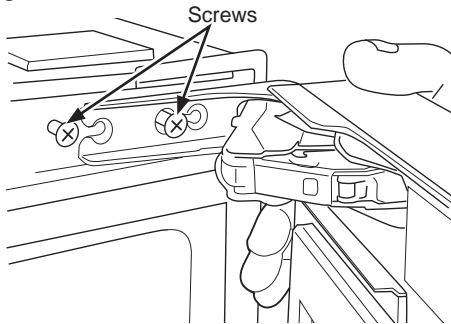
Remove the top and bottom hinge covers to gain access to the screws. Push in on the tab while disengaging the cover with a flat head screw driver



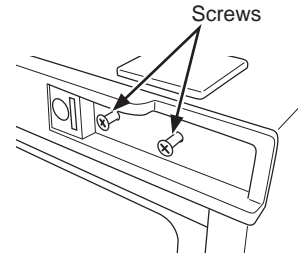
Push to Release



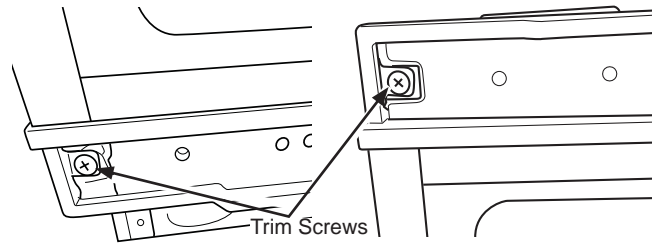
2. Loosen the screws that hold the top and bottom hinges to cabinet.



3. Remove the door and leave the hinges open.
4. Remove the hinge screws and install them on the other side. Install screws only part of the way so that hinges can slide behind the screw heads.



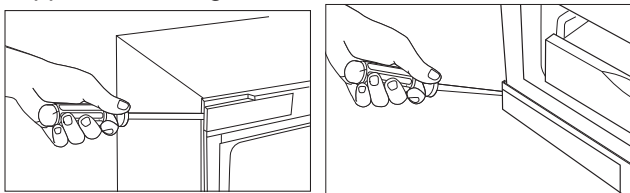
5. Remove trim screws and install in opposite corners.



6. Flip the door and slide the hinges behind the screw heads.
7. Tighten hinges screws.
8. Install covers to cabinet on the other side.

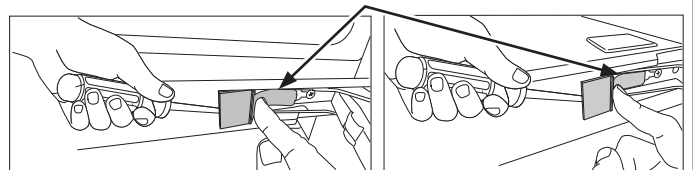
REVERSING THE DOOR SWING - MODELS WITH POCKET HANDLE - CCR06DM****

1. Open the door and use a flat head screw driver to remove the top and bottom covers from the cabinet opposite the hinge side.



Remove the top and bottom hinge covers to gain access to the screws. Push in on the tab while disengaging the cover with a flat head screw driver

Push to Release

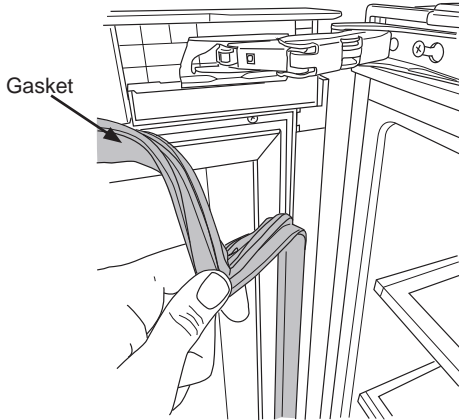


Installation Instructions

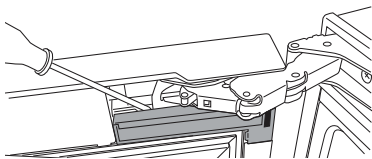
INSTALLING THE WINE CENTER (Cont.)

REVERSING THE DOOR SWING - MODELS WITH POCKET HANDLE - CCR06DM**** (Cont.)

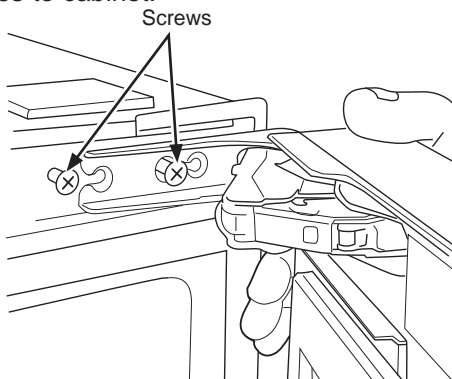
2. Peel back the gasket and remove it from the door.



3. Use a flat screwdriver to remove the plastic covers near the top and bottom hinge.



4. Loosen the screws that hold the top and bottom hinges to cabinet.

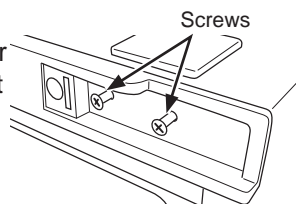


5. Remove the door and close the hinges.

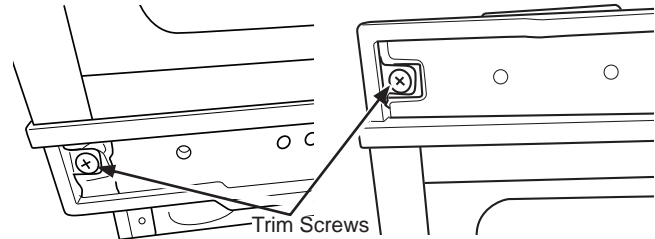
⚠ WARNING  **Door Hinge Pinch Point Hazard**

While closing the hinge, keep fingers away from the internal moving parts of the hinge.

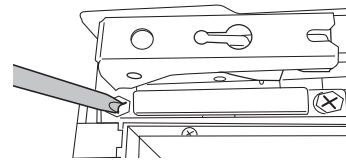
6. Remove the hinge screws and install them on the other side. Install screws only part of the way so that hinges can slide behind the screw heads.



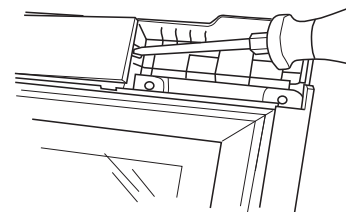
7. Remove trim screws and install in opposite corners.



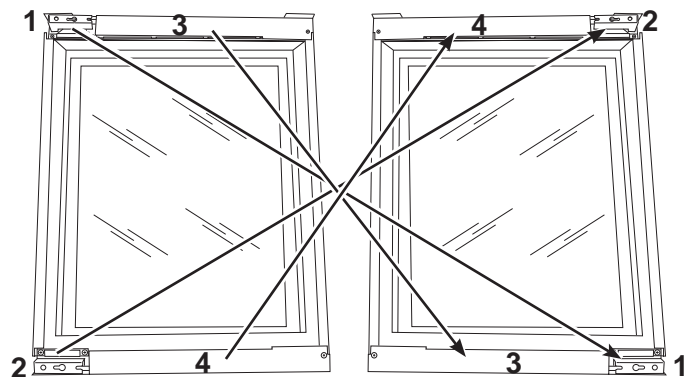
8. Remove the hinges by fully loosening (2) screws.



9. Use a flat screw driver to remove the top and bottom door trim.



10. Re-install hinges and door trim in opposite locations as shown in the images below.



11. Open the hinges. Install door by sliding the hinges behind the screw heads. Tighten screws.

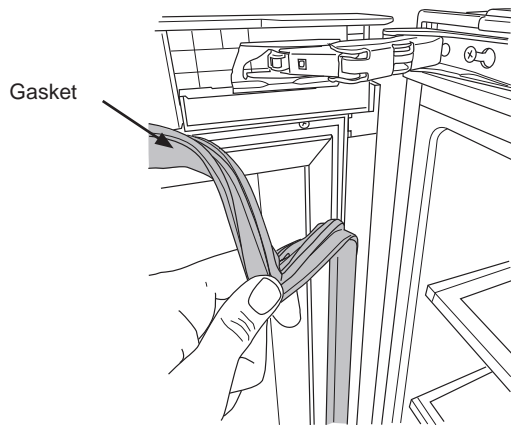
12. Re-install all remaining cabinet and door trims. Re-install the gasket. Make sure that the gasket is fully seated in the pocket.

Installation Instructions

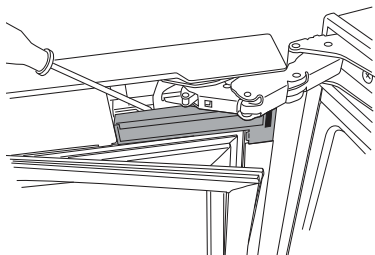
INSTALLING THE WINE CENTER (Cont.)

DOOR ADJUSTMENT

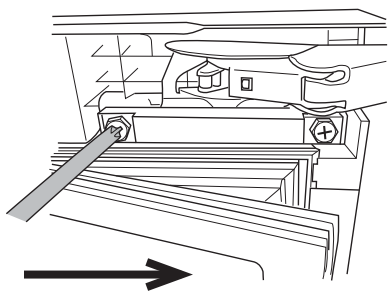
1. Peel back the gasket near the hinge



2. Use a flat screwdriver to remove the plastic cover.



3. Loosen the screws to make the adjustment and then tighten the screw. **NOTE:** Push door in direction of arrow to raise handle side of door.

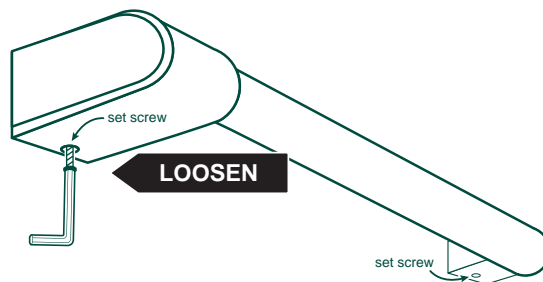


4. Re-install the plastic cover and gasket. Make sure that gasket is fully seated in the pocket.

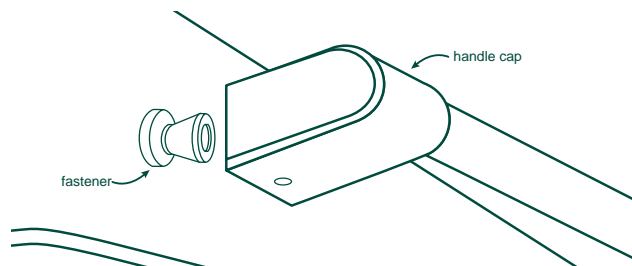
Remove all protective film from the door before installing the handle.

HANDLE INSTALLATION

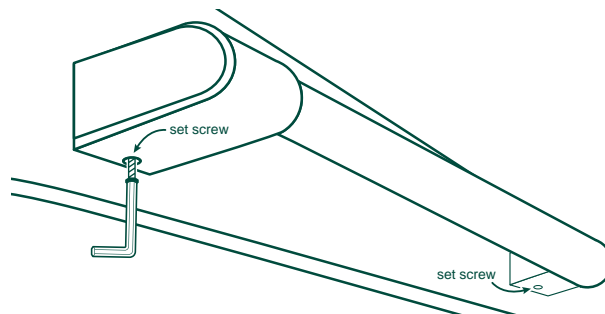
1. Remove the handle allen wrench from the accessory bag located inside the wine center.
2. Remove the handles from the top piece of the packaging material.
3. Loosen the set screw using the allen wrench.



Place the handle caps over the fasteners of the door, so that the Cafe badge is at the top of the handle. Take care to support the handle so it doesn't fall and scratch the appliance finish. Make sure both handle caps are resting on the face of the door.



4. Lock one end of the handle into position by tightening the set screw in the handle cap with the allen wrench provided. **DO NOT** over-tighten.



5. Keep supporting the handle as you lock the other end of the handle into position by tightening the set screw in the handle cap. **DO NOT** over-tighten.

Installation Instructions

INSTALLING THE WINE CENTER (Cont.)

METHOD 1

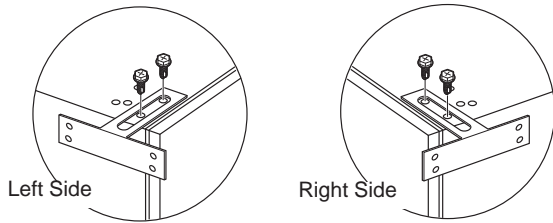
UNDERCOUNTER INSTALLATION

Level the Wine Center

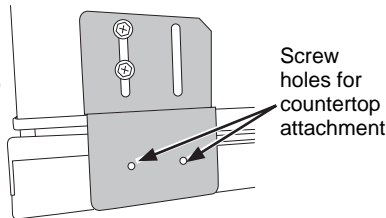
Adjustment of the leveling legs under the wine center may be necessary for a proper fit in the cabinet opening. Tilt the unit to adjust the height of the four leveling legs.

Attach the Anti-tip Brackets

1. Pry hole covers from the top of the wine center to reveal the holes used to install the anti-tip brackets.
2. Remove the anti-tip brackets and screws from the accessory bag.
3. If installing to adjacent cabinets, use Screw A (Qty 4), fasten an anti-tip bracket to each side of the top of the cabinet.

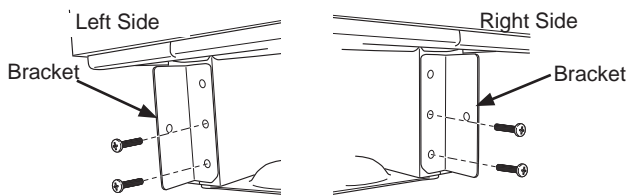


4. If installing to countertop, use Screw A (Qty 2), to attach bracket on hinge side.

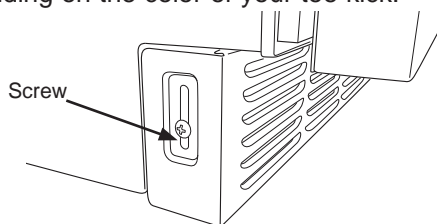


Install Toe Kick

1. Using Screw B (Qty 4), attach the toe kick brackets to each side of the bottom of the cabinet as shown in the picture.



2. Install the toe kick. Use Screw B or Screw E depending on the color of your toe kick.



CONNECT TO POWER

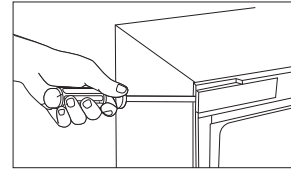
⚠ WARNING  **ELECTRICAL SHOCK HAZARD**

- Plug into a grounded 3 prong outlet.
- Do not remove the ground prong from the power cord plug.
- Do not use an adapter.
- Do not use an extension cord.
- Failure to do so can result in death, fire or electrical shock.

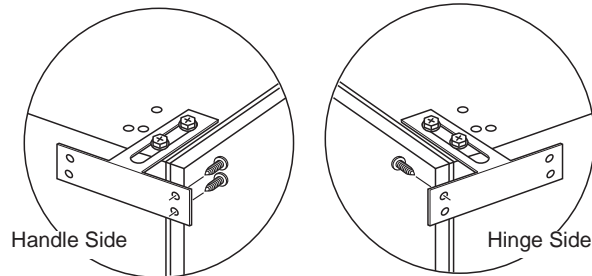
- Plug into a grounded 3 prong outlet.

COMPLETE INSTALLATION - Installing to Adjacent Cabinets

1. Remove cover.



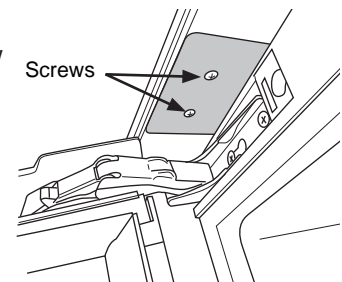
2. Slide the wine center under the counter.
3. Install wine center to cabinetry using Screw C (Qty 3).



4. Reinstall cover.

COMPLETE INSTALLATION - Installing to Countertop

1. Slide the wine center under the counter.
2. Install wine center to countertop using Screw C (Qty 2).



Installation Instructions

INSTALLING THE WINE CENTER (Cont.)

METHOD 2

FREESTANDING INSTALLATION

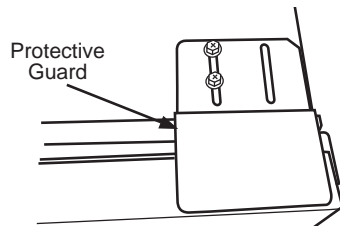
Attach the protective guard over the hinge

1. Pry hole cover from the top of the wine center cabinet on the hinge side to reveal the holes used to install the protective guard.
2. Remove the protective guard and screws from the accessory bag.

⚠ WARNING  **Door Hinge Pinch Point Hazard**

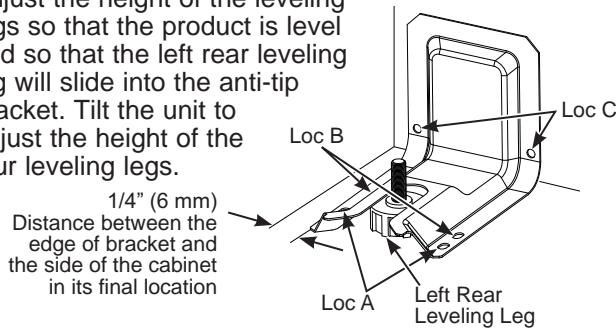
Improper installation can lead to a finger pinch point hazard near the hinge when operating the door. For installations that are not under a counter, follow the installation instructions. A protective guard is provided for limiting access to the door hinge.

3. Using Screw A (Qty 2), install the protective guard onto the hinge side of the cabinet as shown.



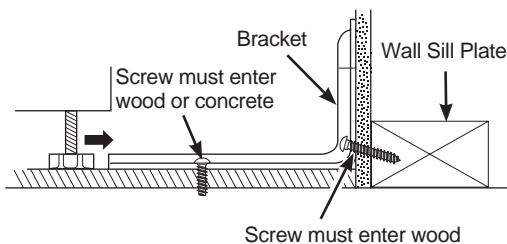
Level the Wine Center

Adjust the height of the leveling legs so that the product is level and so that the left rear leveling leg will slide into the anti-tip bracket. Tilt the unit to adjust the height of the four leveling legs.



Anti-tip Bracket

1. Determine the final location of the cabinet before attempting to install the bracket. The bracket will capture the left rear leveling leg.
2. The bracket must be secured to either the FLOOR or REAR WALL. 2 screws must enter the floor or wall at Loc A, B, or C.



FREESTANDING INSTALLATION

FLOOR Installation:

WOOD FLOOR: Use Screw D (qty 2) to secure the bracket using the pair of marked holes (either Loc A or B).

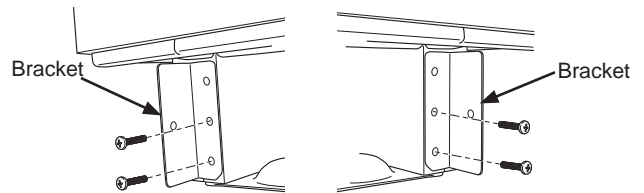
CONCRETE FLOOR: Use a screw that is appropriate for concrete applications and secure the bracket to the floor using the pair of marked holes (either Loc A or B). Screws for concrete application are not provided with the unit.

REAR WALL Installation:

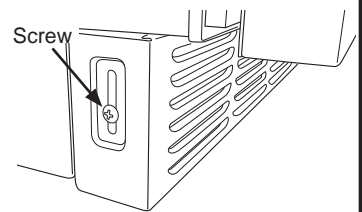
Use screw D (qty 2) to secure the bracket using the pair of marked holes at Loc C. The screws **MUST** enter into a wood sill plate. If the wall contains any metal studs or similar materials, then the floor must be used.

Install Toe Kick

1. Using Screw B (qty 4), attach the toe kick brackets to each side of the bottom of the cabinet as shown in the picture.



2. Install the toe kick. Use Screw B or Screw E depending on the color of your toe kick.



CONNECT TO POWER

⚠ WARNING  **ELECTRICAL SHOCK HAZARD**

Plug into a grounded 3 prong outlet.
Do not remove the ground prong from the power cord plug.
Do not use an adapter.
Do not use an extension cord.
Failure to do so can result in death, fire or electrical shock.

- Plug into a grounded 3 prong outlet.

COMPLETE INSTALLATION

Slide the wine center into its final location. The rear leveling leg must be fully inserted into the anti-tip bracket.

Troubleshooting Tips... Before you schedule service

Save time and money! Review the charts on the following pages first and you may not need to schedule service.

Problem	Possible Causes	What to Do
Wine center does not run	Wine center is unplugged.	Plug power cord into power source.
	Breaker is tripped or turned off/Fuse is blown.	Reset/Turn on breaker or replace fuse.
Wine center compressor runs frequently or for long periods of time	Normal when first plugged in	Allow 24 hours for the wine center to cool completely
	Warm or large amounts of bottles added	This is normal
	Door is left ajar	Ensure that door is not being held open by an item
	Hot weather or frequent openings	This is normal to maintain constant temperature during hot and humid days
	Gasket is not sealing properly	Clean the gasket
Wine center has an odor	Interior needs to be cleaned	Clean the interior. See "Cleaning."
Light does not come on	Wine center is unplugged.	Plug into power source.
	LED light is burned out.	Contact a qualified technician to replace the burned out LED.
Vibration or rattling	Wine center is not resting firmly on floor	See "Leveling."
Normal Sounds	It sounds like water is flowing from the Wine center	Refrigerant flowing in the lines will make this sound when the compressor starts and stops.
	Humming or buzzing sounds	The compressor and fans can make this sound. If the wine center is not level, the sound will be louder.
	Cracking or clicking sounds	The interior parts will make this sound as they contract and expand in response to temperature changes.
TEMPERATURE AND MOISTURE		
Wine center is too warm	Temperature control is not set low enough	Adjust the temperature to a colder setting; allow 24 hours for the temperature to adjust
	Doors opened frequently or left open	Keep door closed / Check that a package is not preventing door from closing
	Warm bottles added recently	Allow time for bottles and wine center to cool
	Gasket is not sealing properly.	Clean the gasket
Wine center is too cold	Temperature control is set too low	Adjust temperature in the compartment to the next warmer setting; allow 24 hours to adjust
Moisture on exterior/interior of the wine center	High humidity	This is normal. Dry surface and adjust temperature to slightly colder setting
	Doors opened frequently or left open	Keep door closed. Check that a package is not preventing door from closing
	Gasket is not sealing properly	Clean the gasket

Notes

Café Refrigerator Limited Warranty

LIMITED WARRANTY

cafeappliances.com

All warranty service is provided by our Factory Service Centers, or an authorized service technician. To schedule service online, visit us at cafeappliances.com/service. Please have your serial number and your model number available when scheduling service. In Canada, visit cafeappliances.ca/service.

Servicing your refrigerator may require the use of the onboard data port for diagnostics. This gives a Café Factory Service technician the ability to quickly diagnose any issues with your appliance and helps Café improve its products by providing Café with information on your appliance. If you do not want your appliance data to be sent to Café, please advise your technician NOT to submit the data to Café at the time of service.

For the Period of:	Café Will Replace
One Year From the date of the original purchase	Any part of the wine center which fails due to a defect in materials or workmanship. During the limited one-year warranty , Café will also provide, free of charge , all labor and related service to replace the defective part.
Five Years From the date of the purchase	Any part of the sealed refrigerating system (the compressor, condenser, evaporator and all connecting tubing) which fails due to a defect in materials or workmanship. During this limited five-year sealed refrigerating system warranty , Café will also provide, free of charge , all labor and related service to replace the defective part in the sealed refrigerating system.

What Café Will Not Cover:

- Service trips to your home to teach you how to use the product.
- Improper installation, delivery or maintenance.
- Failure of the product if it is abused, misused, or used for other than the intended purpose or used commercially.
- Loss of food due to spoilage.
- Replacement of house fuses or resetting of circuit breakers.
- Damage to finish, such as surface rust, tarnish, or small blemishes not reported within 48 hours of delivery.
- Replacement of the light bulbs, if included, or water filter cartridge, if included, other than as noted above.
- Damage to the product caused by accident, fire, floods or acts of God.
- Incidental or consequential damage caused by possible defects with this appliance.
- Product not accessible to provide required service.

EXCLUSION OF IMPLIED WARRANTIES
Your sole and exclusive remedy is product repair as provided in this Limited Warranty. Any implied warranties, including the implied warranties of merchantability or fitness for a particular purpose, are limited to one year or the shortest period allowed by law.

For US Customers: This limited warranty is extended to the original purchaser and any succeeding owner for products purchased for home use within the USA. If the product is located in an area where service by a Café Authorized Servicer is not available, you may be responsible for a trip charge or you may be required to bring the product to an Authorized Café Service location for service. In Alaska, the limited warranty excludes the cost of shipping or service calls to your home.

Some states do not allow the exclusion or limitation of incidental or consequential damages. This limited warranty gives you specific legal rights, and you may also have other rights which vary from state to state. To know what your legal rights are, consult your local or state consumer affairs office or your state's Attorney General.

Warrantor: GE Appliances, a Haier company
Louisville, KY 40225

For Customers in Canada: This limited warranty is extended to the original purchaser and any succeeding owner for products purchased in Canada for home use within Canada. In-home warrant service will be provided in areas where it is available and deemed reasonable by Mabe to provide.

Warrantor Canada: MC Commercial, Inc., Burlington, Ontario, L7R 5B6

Staple your receipt here. Proof of the original purchase date is needed to obtain service under the warranty.

Consumer Support

Café Website

Have a question or need assistance with your appliance? Try the Café website 24 hours a day, any day of the year! You can also shop for more great Café products and take advantage of all our on-line support services designed for your convenience. In the US: cafeappliances.com

Register Your Appliance

Register your new appliance on-line at your convenience! Timely product registration will allow for enhanced communication and prompt service under the terms of your warranty, should the need arise. You may also mail in the pre-printed registration card included in the packing material. In the US: cafeappliances.com/register

Schedule Service

Expert Café repair service is only one step away from your door. Get on-line and schedule your service at your convenience any day of the year. In the US: cafeappliances.com/service

Extended Warranties

Purchase a Café extended warranty and learn about special discounts that are available while your warranty is still in effect. You can purchase it on-line anytime. Café Service will still be there after your warranty expires.

In the US: cafeappliances.com/extended-warranty

Parts and Accessories

Individuals qualified to service their own appliances can have parts or accessories sent directly to their homes (VISA, MasterCard and Discover cards are accepted). Order on-line today 24 hours every day.

In the US: cafeappliances.com/parts

Instructions contained in this manual cover procedures to be performed by any user. Other servicing generally should be referred to qualified service personnel. Caution must be exercised, since improper servicing may cause unsafe operation.

Contact Us

If you are not satisfied with the service you receive from Café, contact us on our website with all the details including your phone number, or write to:

In the US: General Manager, Customer Relations | Café Appliances, Appliance Park | Louisville, KY 40225
cafeappliances.com/contact

CAFÉ

DISTINCT BY DESIGN™

Manuel d'utilisation et d'installation

Refroidisseur de vin sous comptoir

CCP06DP*****

CCR06DM*****

Contenu

Consignes de sécurité	3	Dégagements du produit	11
Utilisation du refroidisseur de vin		Retrait de l'emballage	11
Commandes	6	Inversion du sens d'ouverture de porte	12
WiFi	7	Ajustement de la porte	14
Tiroirs pleine extension	8	Installation de la poignée	14
Insertion des bouteilles de vin	8	Méthode 1 - Installation sous le comptoir	15
Entretien et nettoyage	9	Méthode 2 - Installation sur les armoires adjacentes ..	16
Nettoyage de l'extérieur	9	Branchement de l'alimentation électrique	16
Nettoyage de l'intérieur	9	Achèvement de l'installation	16
Vacances et déménagement	9	Conseils de dépannage	17
Instructions d'installation		Garantie limitée	19
Dimensions du refroidisseur de vin	11	Assistance à la clientèle	20
Avant de commencer	11		

Transcrivez les numéros de modèle et de série ici :

Numéro de modèle : _____

Numéro de série : _____

On peut trouver ces numéros sur une étiquette à l'intérieur du refroidisseur de vin, du côté gauche dans le haut.

FRANÇAIS

NOUS VOUS REMERCIONS D'ACCUEILLIR CAFÉ CHEZ VOUS

Nous sommes fiers du savoir-faire, de l'innovation et de l'esthétique qui composent chaque appareil Café, et nous pensons que vous le serez aussi. Dans cette optique, nous vous rappelons que l'enregistrement de votre électroménager vous assure la communication de renseignements importants sur le produit et la garantie lorsque vous en avez besoin.

Enregistrez votre électroménager Café en ligne dès maintenant. Des sites Web utiles figurent dans la section Soutien au consommateur de ce manuel d'utilisation. Vous pouvez aussi poster la fiche de garantie pré-imprimée incluse dans l'emballage.

C A F É

DISTINCT BY DESIGN™

INFORMATION DE SÉCURITÉ IMPORTANTES

LISEZ TOUTES LES DIRECTIVES AVANT D'UTILISER L'APPAREIL

⚠ AVERTISSEMENT Pour réduire le risque d'incendie, d'explosion, de choc électrique ou de blessures lorsque vous utilisez votre réfrigérateur, veuillez suivre ces consignes de sécurité :

- Utilisez cet électroménager uniquement aux fins qui sont décrites dans ce manuel d'utilisation.
- Ce électroménager doit être correctement installé conformément aux Consignes d'Installation avant toute utilisation.
- Débranchez le électroménager avant d'effectuer une réparation, de remplacer une ampoule ou de le nettoyer.
Remarque : L'alimentation du électroménager ne peut être déconnectée par aucune des fonctions sur le panneau de commande.
Remarque : Les réparations doivent être effectuées par un professionnel qualifié.
- Remettez toutes les pièces et panneaux en place avant d'utiliser l'appareil.
- N'utilisez pas un cordon de rallonge.
- Gardez les matériaux et vapeurs inflammables loin du réfrigérateur.
- N'entrez pas dans cet électroménager des substances explosives telles que des bombes aérosols qui contiennent un gaz propulseur.
- Pour éviter les risques d'asphyxie et d'enfermement pour les enfants. Démontez les portes avant de le mettre au rebut ou d'interrompre son utilisation.
- Afin de prévenir les accidents graves ou la mort, les enfants ne doivent pas se tenir ni jouer dans ou sur l'électroménager.
- Les enfants et les personnes dont les capacités sont réduites sur le plan physique, sensoriel ou mental, ou qui manquent d'expérience ou de connaissances, peuvent utiliser cet électroménager seulement si elles sont surveillées ou ont reçues des consignes de sécurité sur son usage et les risques y sont associés.
- Cet électroménager est conçu pour une utilisation domestique et applications similaires : salle du personnel dans une usine, un bureau ou d'autres lieux de travail; maison de ferme; clients dans un hôtel, un motel, un gîte touristique et d'autres lieux résidentiels; approvisionnement et applications similaires non reliées au commerce de détail.
- N'appliquez pas de nettoyants corrosifs sur le électroménager. Certains nettoyants endommagent le plastique et peuvent ainsi causer le détachement inopiné de pièces telles que porte ou poignées de porte. Voyez la section Entretien et nettoyage pour des instructions détaillées.

⚠ ATTENTION Pour réduire le risque de blessures lorsque vous utilisez votre réfrigérateur, veuillez suivre ces consignes de sécurité.

- Éloignez les doigts des parties du congélateur où l'on peut facilement se pincer : les espaces entre les portes et les placards sont toujours étroits. Soyez prudent lorsque vous fermez les portes en présence d'enfants.

⚠ AVERTISSEMENT  **RISQUE D'INCENDIE OU D'EXPLOSION**

Gardez les matières et les vapeurs inflammables à distance de l'électroménager. L'omission de prendre cette précaution peut entraîner un incendie, une explosion ou la mort.

⚠ AVERTISSEMENT Pour réduire le risque d'étouffement pendant l'installation de ce produit, ne pas laisser les petites pièces à la portée des enfants âgés de moins de 3 ans.

⚠ AVERTISSEMENT **RISQUE DU POIDS EXCESSIF**

La participation de deux personnes ou plus est nécessaire pour déplacer et installer le refroidisseur de vin. Le non-respect de cette instruction peut causer une blessure au dos ou d'autre blessure.

LIRE ET CONSERVER CES INSTRUCTIONS

INFORMATION DE SÉCURITÉ IMPORTANTES

LISEZ TOUTES LES DIRECTIVES AVANT D'UTILISER L'APPAREIL

BRANCHEMENTS ÉLECTRIQUES

⚠ AVERTISSEMENT



RISQUE DE CHOC ÉLECTRIQUE

Branchez l'appareil dans une prise triple avec terre.

Ne retirez pas la broche de terre.

N'utilisez pas d'adaptateur.

N'utilisez pas un cordon de rallonge.

Le non-respect de ces instructions peut entraîner des risques d'incendies, des chocs électriques ou la mort.

Ne coupez pas ou n'enlevez pas, sous aucun prétexte, la troisième broche de mise à la terre du cordon d'alimentation. Pour des raisons de sécurité, cet appareil doit être correctement mis à la terre.

Le cordon d'alimentation de cet appareil est équipé d'une fiche à trois broches (pour une mise à la terre) qui s'adapte à la prise de courant standard à 3 broches (pour une mise à la terre) pour minimiser les risques de chocs électriques par cet appareil.

Faites vérifier la prise murale et le circuit électrique par un électricien qualifié pour s'assurer que le système est correctement mis à la terre.

Dans le cas d'une prise biphasée, l'installateur a la responsabilité et l'obligation de la remplacer par une prise triphasée correctement mise à la terre. N'utilisez pas d'adaptateur.

Le réfrigérateur doit toujours être branché à sa propre prise électrique d'une tension nominale correspondant à celle indiquée sur sa plaque signalétique.

Une alimentation électrique à 115 volts CA, 60 Hz, avec un fusible de 15 ou 20 ampères et une mise à la terre est nécessaire. Ceci permet d'obtenir un meilleur rendement et évite de surcharger les circuits électriques du domicile qui risque d'occasionner un incendie en surchauffant.

Ne débranchez jamais le refroidisseur de vin en tirant sur le cordon d'alimentation. Prenez toujours fermement la fiche en main et tirez pour la sortir de la prise.

Réparez ou remplacez immédiatement tout cordon électrique usé ou endommagé. N'utilisez pas un cordon fissuré ou présentant des dommages dus aux frottements soit sur sa longueur ou aux extrémités.

Lorsque vous éloignez votre refroidisseur de vin du mur, faites attention à ne pas le faire rouler sur le cordon d'alimentation afin de ne pas l'endommager.

MISE AU REBUT APPROPRIÉE DE VOTRE ANCIEN RÉFRIGÉRATEUR

⚠ AVERTISSEMENT

RISQUE DE SUFFOQUER OU D'Y ÊTRE EMPRISONNÉ

Le non-respect de ces instructions d'élimination peut entraîner la mort ou des blessures graves.

IMPORTANT: Les enfants pris au piège ou morts d'asphyxie sont toujours d'actualité. Les réfrigérateurs et congélateurs abandonnés sont toujours aussi dangereux, même si on n'attend que «quelques jours» pour s'en débarrasser. Si vous ne gardez pas votre ancien réfrigérateur ou congélateur, veuillez suivre les directives ci-dessous afin de prévenir les accidents.

Avant de vous débarrasser de votre ancien appareil :

- Ôter les porte.
- Laisser les tiroirs en place de sorte que les enfants ne puissent pas y pénétrer facilement.

Mise au rebut des produits réfrigérants et en mousse

Mettez l'électroménager au rebut conformément à la réglementation fédérale et locale. Le réfrigérant inflammable ainsi que le matériau d'isolation utilisés exigent des procédures d'élimination particulières. Communiquez avec les autorités locales pour connaître la façon de mettre votre électroménager au rebut qui soit respectueuse de l'environnement.

LIRE ET CONSERVER CES INSTRUCTIONS

INFORMATION DE SÉCURITÉ IMPORTANTES

LISEZ TOUTES LES DIRECTIVES AVANT D'UTILISER L'APPAREIL

⚠ AVERTISSEMENT



RISQUE D'INCENDIE OU D'EXPLOSION

Fluide frigorigène inflammable

Cet électroménager contient le réfrigérant isobutane, aussi connu comme R600a, un gaz naturel à compatibilité élevée avec l'environnement. Il s'agit cependant d'un combustible. Observez les consignes de sécurité ci-dessous afin de réduire le risque de blessure ou de dommage à la propriété.

1. Lors de la manipulation, de l'installation et de l'utilisation de cet appareil, prenez soin de ne pas endommager les tubes de circulation du fluide frigorigène.
2. L'entretien ou la réparation doivent être effectués par un personnel de service autorisé. Utilisez seulement des pièces de rechange autorisées par le fabricant.
3. Mettez l'appareil au rebut conformément aux réglementations fédérales et locales. Le fluide frigorigène inflammable et le matériel isolant utilisés nécessitent des procédures de mise au rebut spéciales. Communiquez avec les autorités locales compétentes pour la mise au rebut de votre réfrigérateur sans danger pour l'environnement.
4. N'obstruez pas les événements dans l'enceinte prévue pour l'appareil.
5. Pour retirer le givre, grattez à l'aide d'un grattoir ou d'une spatule en plastique ou en bois. N'utilisez pas un pic à glace ni un instrument métallique ou aux arêtes coupantes car il y a risque de percer la doublure du l'appareil et la tubulure du réfrigérant inflammable derrière elle.
6. N'utilisez pas d'appareils électriques dans le compartiment réfrigérateur de cet appareil.
7. N'utilisez aucun appareil électrique pour dégivrer votre l'appareil

LIRE ET CONSERVER CES INSTRUCTIONS

Utilisation du refroidisseur de vin

FONCTIONS



Réglage de la température

La plage de températures du refroidisseur de vin s'étend de 41 °F (5 °C) à 61 °F (16 °C).

La température d'une seule zone peut être affichée à la fois sur l'afficheur. Les mots « Upper » (supérieure) et « Lower » (inférieure) sont affichés à la droite de la température pour indiquer la zone sélectionnée. Utilisez le bouton **Zone Select** pour sélectionner la zone que vous souhaitez voir ou changer.

Utiliser les boutons + et - pour augmenter ou diminuer les réglages de température.

Conversion °C et °F

Maintenir une pression sur « + » et **Display** durant 3 secondes. L'affichage de la température passera des degrés Fahrenheit aux degrés Celsius. Maintenir une pression sur « + » et **Display** durant 3 secondes de nouveau pour revenir en Fahrenheit.

Activation ou désactivation du refroidissement

Maintenir une pression sur **Power** durant 3 secondes pour désactiver le refroidissement et l'éclairage. Cela ne coupe pas l'alimentation électrique au refroidisseur de vin.

Alarme de porte

Fait sonner une alarme lorsque la porte est laissée ouverte. L'alarme s'arrête dès la fermeture de la porte. Activer l'alerte en pressant le bouton **Alarm**. Désactiver l'alarme de porte en maintenant une pression sur « - » et **Alarm** durant 3 secondes. Maintenir une pression sur « - » et **Alarm** durant 3 secondes pour réactiver cette fonction.

Alarme de température élevée

Sonne l'alarme lorsque la température se situe à l'extérieur de sa plage normale. Activer l'alerte en pressant le bouton **Alarm**. Désactiver l'alarme de température élevée en maintenant une pression sur **Display** et **Alarm** durant 3 secondes. Maintenir une pression sur **Display** et **Alarm** durant 3 secondes pour réactiver cette fonction.

Verrouillage des réglages pour les enfants

La fonction de verrouillage des réglages pour les enfants prévient les modifications non prévues des réglages du refroidisseur de vin.

Pour verrouiller, maintenir une pression sur **Control Lock** durant 3 secondes. Pour déverrouiller, maintenir une pression sur **Control Lock** durant 3 secondes.

Éclairage de proximité

L'éclairage intérieur est activé lorsqu'une personne s'approche du refroidisseur de vin. Pour désactiver cette fonction, maintenir une pression sur **Alarm**, **Display** et **Control Lock** durant 3 secondes. Maintenir une pression sur **Alarm**, **Display** et **Control Lock** durant 3 secondes pour réactiver cette fonction.

Mode de présentation

La lampe intérieure améliore la présentation de votre collection. Presser le bouton **Display** pour activer le mode de présentation. Dans le mode de présentation, l'éclairage intérieur reste allumé même si la porte est fermée et l'éclairage de proximité est désactivé. Presser le bouton **Display** de nouveau pour quitter le mode de présentation.

Mode Sabbat

Le mode Sabbat est destiné au sabbat et autres fêtes des juifs. Le mode Sabbat permet aux juifs pratiquants d'utiliser le refroidisseur de vin au cours de la fête.

On peut régler le mode Sabbat pour annuler les réactions habituelles causées par vos actions sur le refroidisseur. L'appareil fonctionnera encore en mode Sabbat. Cependant, il ne répondra pas aux actions de l'utilisateur.

Dans ce mode, on pourrait observer que le ventilateur fonctionne lorsque la porte est ouverte, sans que cela ne résulte de l'action de l'utilisateur. Le compresseur et le ventilateur fonctionneront à des moments prédéterminés.

MARCHE/ARRÊT - Pour activer le mode Sabbat, maintenir une pression sur « - » et **DISPLAY** durant 5 secondes. Le mot **SA** s'affichera sur le panneau de commande. **SA** demeurera affiché et tous les réglages seront figés sur le dernier mode activé avant l'entrée en mode Sabbat. Les commandes et les lampes ne fonctionneront que lorsque « - » et **DISPLAY** seront pressés de nouveau durant 5 secondes pour quitter le mode Sabbat.



Mode de verrouillage


Verrouille le refroidisseur pour en interdire l'accès à d'autres personnes lorsque vous vous absentez. L'alarme de porte retentira dès l'ouverture de la porte. L'éclairage intérieur restera désactivé. Si le refroidisseur de vin est connecté au Wi-Fi, un avis de porte ouverte peut être envoyé par le biais d'une application.

L'application permet d'activer ou désactiver cette fonction. Si votre appareil connecté n'est pas disponible, cette fonction peut être activée en maintenant une pression sur « + » et **Control Lock** durant 3 secondes. Maintenir une pression sur « + » et **Control Lock** durant 3 secondes pour réactiver cette fonction.

Utilisation du refroidisseur de vin

COMMUNICATION AVEC LES ÉLECTROMÉNAGERS

WiFi (pour les clients aux États-Unis, ses territoires et au Canada)

- Télécharger l'application **SmartHQ**.
 - Disponible pour iPhone chez Apple Store ou en cliquant un lien sur **GEAppliances.com**.
 - Disponible pour Android chez Google Play ou en cliquant un lien sur **GEAppliances.com**.
- Sélectionnez **Create Account** (créer un compte) sur l'application.
 - Entrez l'information puis sélectionnez **Register** (s'enregistrer). Un courriel vous sera envoyé.
 - Lorsque vous recevez le courriel, sélectionnez **Verify Account** (vérification du compte).
 - Se connecter avec ses données d'identité et sélectionner **Authorize** (autoriser) pour permettre à l'application de communiquer avec le refroidisseur de vin.
- Configurez l'application.
 - Presser  dans le haut de l'écran.
 - Choisir **Cafe > Refrigeration > Wine Center** (refroidisseur de vin).
 - Le bouton d'information affichera une image de l'écran tactile sur l'appareil. Sélectionner **OK**.
 - Sélectionnez **Next** (suivant).
- Presser **WiFi Connect** sur le panneau de commande. Le symbole Wi-Fi commencera à clignoter sur l'écran.
 - Sélectionnez **Next** sur l'application.
- Repérez le mot de passe à l'intérieur de la refroidisseur de vin sur l'étiquette « **Connected Appliance Information** » (Information sur l'appareil en réseau).
 - Entrez le mot de passe sur l'application.
- Connectez-vous au module Wi-Fi du réfrigérateur dans les paramètres Wi-Fi du téléphone, puis retournez à l'application **SmartHQ** et sélectionnez **Next** (suivant).
 - Le Wi-Fi affichera le format « **GE_MODULE_XXXX** ». On peut aussi trouver le numéro du module sur l'étiquette **Connected Appliance Information** à l'intérieur de la réfrigérateur.
 - Connectez-vous au réseau Wi-Fi du domicile et saisissez le mot de passe Wi-Fi du domicile.
 - Si toutes les coches apparaissent et que vous obtenez un écran vous informant que l'appareil est connecté, la connexion a réussi.
 - Si la connexion échoue, l'application affichera « **Oops! Something Went Wrong** » (Oops! Quelque chose n'a pas fonctionné). Vous recevrez les raisons probables de l'échec et l'option pour faire un nouvel essai.

RENSEIGNEMENTS RÉGLEMENTAIRES

Déclaration de conformité de la FCC/IC :

Cet appareil est conforme aux prescriptions de la partie 15 des règles de la FCC. Le fonctionnement de cet équipement est assujéti aux deux conditions suivantes :

1. Cet appareil ne doit pas causer de brouillage préjudiciable.
2. Cet appareil doit accepter tout brouillage qu'il reçoit, y compris celui pouvant entraîner un fonctionnement indésirable.

Cet équipement a été testé et déclaré conforme aux limites imposées pour un appareil numérique de Classe B, conformément à la partie 15 de la réglementation FCC. Ces limites sont définies afin d'assurer une protection raisonnable contre le brouillage nuisible dans une installation résidentielle. Cet équipement génère, utilise et émet des fréquences radio qui, en cas d'une installation erronée ou d'une utilisation non-conforme aux instructions de ce manuel d'utilisation peuvent causer un brouillage nuisible aux communications radio. Il n'y a cependant aucune garantie qu'un brouillage nuisible ne se produira pas dans une installation donnée. Si cet équipement cause un brouillage nuisible sur votre poste radio ou de télévision, ce que vous pouvez déterminer en éteignant et en rallumant votre équipement, il est conseillé à l'utilisateur d'essayer de pallier à ce brouillage nuisible en prenant l'une ou l'autre des mesures suivantes :

- Réorienter ou repositionner l'antenne de réception.
- Augmenter la distance entre l'équipement et le récepteur.
- Brancher l'équipement dans une prise d'un circuit qui diffère de celui auquel le récepteur est branché.
- Consulter le revendeur ou un technicien en radio-télévision pour obtenir de l'aide.

Étiquetage : Les modifications non explicitement approuvées par le fabricant peuvent annuler le droit de l'utilisateur de se servir de cet équipement.

Utilisation du refroidisseur de vin

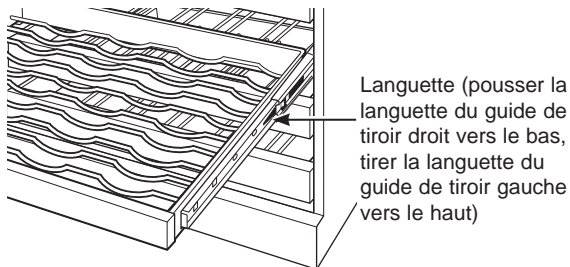
TIROIRS PLEINE EXTENSION

Tous les tiroirs pleine extension sont amovibles afin d'ajouter ou de retirer facilement les bouteilles.

Tous les tiroirs pleine extension peuvent être retirés pour ranger des bouteilles de plus grande taille.

Pour retirer :

1. Tirez le tiroir pleine extension jusqu'à la position STOP (arrêt).
2. Poussez la languette sur le guide de tiroir droit vers le bas tout en tirant la languette sur le guide gauche vers le haut, puis tirez le tiroir pour le sortir.

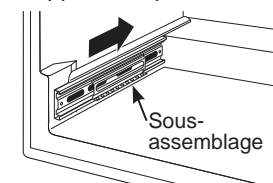


Remise en place :

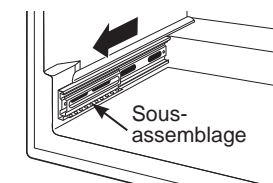
1. Poussez le bras coulissant du tiroir vers l'arrière dans l'appareil.
2. Tirez le petit sous-ensemble coulissant complètement vers l'avant.
3. Réinsérez les côtés du tiroir dans les guides.
4. Poussez jusqu'à ce que les languettes se verrouillent en place.

REMARQUE : Assurez-vous que les languettes sur les guides du tiroir pleine extension sont complètement insérées avant de ranger des bouteilles. Tirez les tiroirs complètement jusqu'à la position STOP et repoussez plusieurs fois vers l'arrière pour vous assurer que les languettes de verrouillage sont correctement insérées.

L'apparence peut varier



Pour replacer, poussez le bras coulissant du tiroir dans l'appareil.



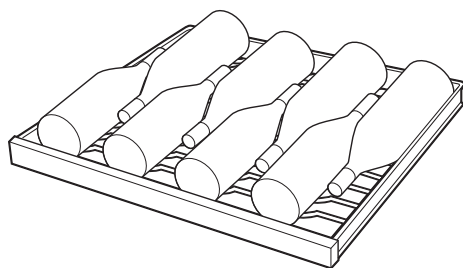
Tirez le petit sous-ensemble coulissant complètement vers l'avant.

INSERTION DES BOUTEILLES DE VIN

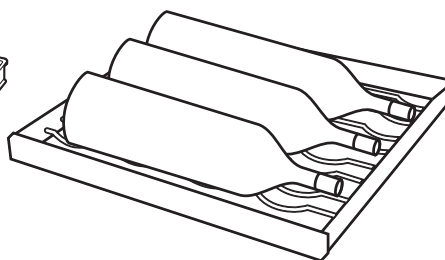
Les premiers cinq tiroirs pleine extension ont chacun une capacité de huit bouteilles, deux de profond avec alternance de la direction des goulots.

La tablette supérieure de chaque zone peut contenir des bouteilles plus larges en les orientant vers les côtés. Les autres tablettes pleine extension peut contenir sept bouteilles orientées vers les côtés. Cette orientation procure une longueur supplémentaire pour accueillir certains formats de bouteille.

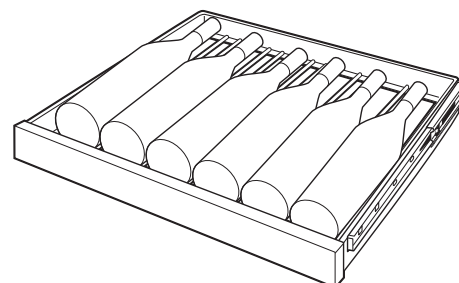
Le tiroir pleine extension du bas contiennent six bouteilles et les goulots sont orientés vers l'arrière



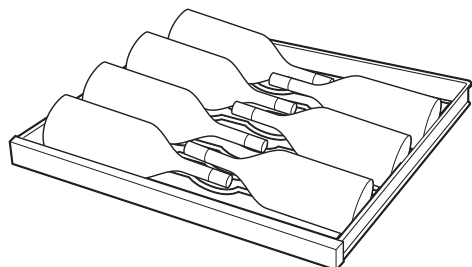
Disposition à 8 bouteilles



Disposition grandes bouteilles - tablette supérieure des deux zones



Tiroir du bas



Disposition à 7 bouteilles

Entretien et nettoyage

Nettoyage de l'extérieur

ACIER INOXYDABLE RÉSISTANT AUX EMPREINTES DIGITALES*

⚠ N'utilisez PAS de nettoyeurs pour acier inoxydable sur les surfaces de porte. ⚠

IMPORTANT : L'utilisation de produits inappropriés peut endommager le fini extérieur de l'acier inoxydable résistant aux empreintes digitales. Veuillez suivre ces instructions et utiliser seulement les articles appropriés ci-dessous pour nettoyer les surfaces de votre électroménager.

- Afin de prévenir leur détérioration, nettoyez les surfaces intérieure/extérieure avec de l'eau tiède, un savon ou un détergent doux, et un linge doux ou en microfibres.
- Afin de prévenir les rayures et les taches d'eau, séchez les surfaces de l'électroménager en les essuyant avec un chiffon doux propre ou un linge en microfibres.

UTILISER	NE PAS UTILISER	
Linge ou éponge doux et propres Chiffon en microfibres	Linges abrasifs, essuie-tout, éponges à récurer (avec ou sans savon), tampons à récurer ou en laine d'acier.	
Détergent doux dans eau chaude.	Poudres, liquides, ou vaporisateurs abrasifs. Vaporisateurs pour fenêtres, ammoniac ou javel Nettoyants à base d'agrumes ou de plantes. Nettoyants acides ou à base de vinaigre.	Nettoyants pour le four. Nettoyants alcalins Nettoyants pour acier inoxydable

*Nettoie facilement les taches et les empreintes de doigt.

Nettoyage de l'intérieur

⚠ WARNING  **Risque de décharge**

électrique Débrancher l'appareil avant le nettoyage. Si l'appareil est encastré, couper l'alimentation électrique au disjoncteur.

⚠ WARNING  **Risque d'incendie ou d'explosion. Réfrigérant inflammable**

Pour retirer le givre, gratter à l'aide d'un grattoir ou d'une spatule en plastique ou en bois. Ne pas utiliser un pic à glace ni un instrument métallique ou aux arêtes coupantes car il y a risque de percer la doublure de l'appareil et la tubulure de réfrigérant derrière elle.

N'utiliser aucun appareil électrique pour dégivrer le congélateur.

S'il est trop difficile de débrancher l'appareil, essorez bien votre chiffon ou votre éponge pour enlever l'excès d'eau lorsque vous nettoyez autour des interrupteurs, des lampes ou des commandes.

Utilisez une solution d'eau tiède et de bicarbonate de soude (environ une cuillère à soupe (15 ml) de bicarbonate de soude dans un litre d'eau) afin de nettoyer tout en neutralisant les odeurs. Rincez et séchez.

⚠ ATTENTION Ne nettoyez pas les clayettes ou les couvercles en verre avec de l'eau tiède quand ceux-ci sont froids. Les clayettes et couvercles en verre peuvent se casser s'ils sont exposés à des changements soudains de température ou si vous les cognez ou les faites tomber. Le verre trempé est conçu pour se briser en petits morceaux en cas de casse.

Ne laver aucune pièce en plastique du refroidisseur de boissons au lave-vaisselle.

VACANCES ET DÉMÉNAGEMENT

Vacances

En cas d'absence prolongée sans laisser l'appareil en marche, une préparation de celui-ci est nécessaire.

1. Retirer tous les articles.
2. Maintenir une pression sur POWER (alimentation) sur le panneau de commande durant 3 secondes pour désactiver le refroidissement.
3. Débrancher ou couper l'alimentation électrique.
4. Nettoyer l'intérieur. Voir la section Nettoyage.
5. Laisser la porte ouverte pour faire circuler l'air à l'intérieur.

Préparation pour un déménagement

Attacher avec du ruban adhésif tous les articles lâches tels que tablettes et tiroirs pour éviter de les endommager. S'assurer de maintenir le refroidisseur de boissons en position droite pendant le déménagement.

Instructions d'installation

Refroidisseur de vin

Des Questions ? consultez notre site internet Electromenagersge.ca

AVANT DE COMMENCER

Lisez ces instructions entièrement et attentivement.

- **IMPORTANT** — Respectez tous les codes et règlements en vigueur. Conservez ces instructions pour l'inspecteur local.
- Remarque pour l'Installateur – Assurez-vous de remettre ces instructions à l'utilisateur.
- Remarque pour l'utilisateur- Conservez ces instructions pour toute référence future.
- Niveau de compétence - L'installation de cet appareil demande des connaissances de base en mécanique.
- Délai d'exécution – L'installation du refroidisseur de vin peut varier
- L'installateur est responsable de l'installation correcte de l'appareil.
- La panne de l'appareil due à une mauvaise installation n'est pas couverte par la garantie.

⚠ AVERTISSEMENT RISQUE DU POIDS EXCESSIF

La participation de deux personnes ou plus est nécessaire pour déplacer et installer le refroidisseur de vin.

Le non-respect de cette instruction peut causer une blessure au dos ou d'autre blessure.

IMPORTANT : Manipulez le refroidisseur de vin avec soin lorsque vous le déplacez afin de prévenir les dommages à la tubulure de réfrigérant et le risque de fuites.

IMPORTANT : Manipuler le refroidisseur de vin avec soin lorsqu'on le déplace afin de prévenir les dommages à la tubulure de réfrigérant et le risque de fuites.

EXIGENCES D'EMPLACEMENT

IMPORTANT: Avant l'utilisation, ce refroidisseur de vin doit être installé correctement.

REMARQUE : Laissez le refroidisseur de vin reposer sur sa base en position droite durant au moins une heure avant l'installation.

- N'installez pas le refroidisseur de vin dans un endroit où la température sera inférieure à 13 °C (55 °F) car il ne fonctionnera pas assez souvent pour maintenir des températures convenables.
- N'installez pas le refroidisseur dans un endroit où la température sera supérieure à 43 °C (110 °F) car il ne fonctionnera pas correctement.
- Installer le refroidisseur sur un plancher solide qui pourra supporter son poids avec pleine charge.
- N'installez pas le refroidisseur dans un endroit exposé à l'eau (pluie, etc.) ou aux rayons directs du soleil.

OUTILS NÉCESSAIRES

- Tournevis Phillips
- Mètre ruban
- Niveau
- Tournevis à lame plate

PIÈCES FOURNIES

Ferrures antibasculement (Qté 4)

Supports pour coup-de-pied (Qté 2)

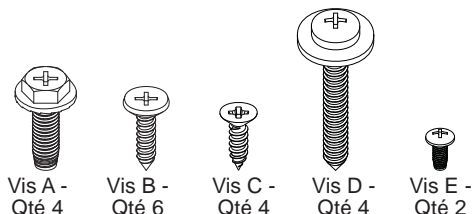
Dispositif de protection (Qté 1)

Coup-de-pied (Qté 1)

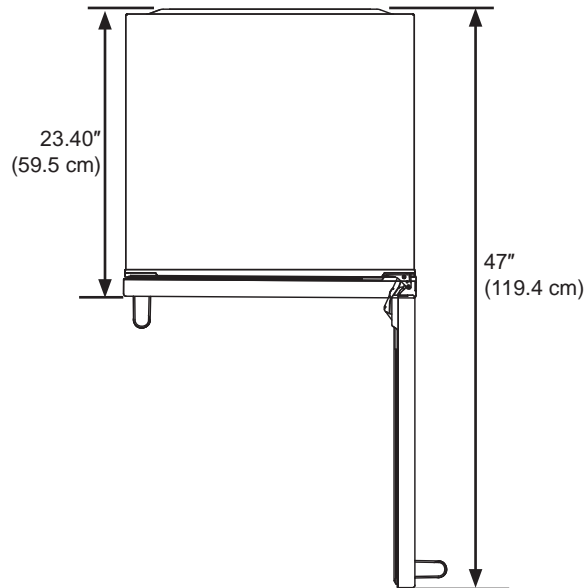
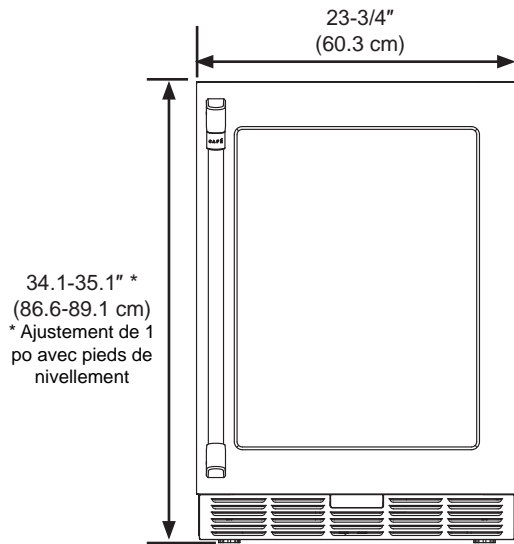
Poignée (Qté 1)

Clé he xagonale 1/8 po (Qté 1)

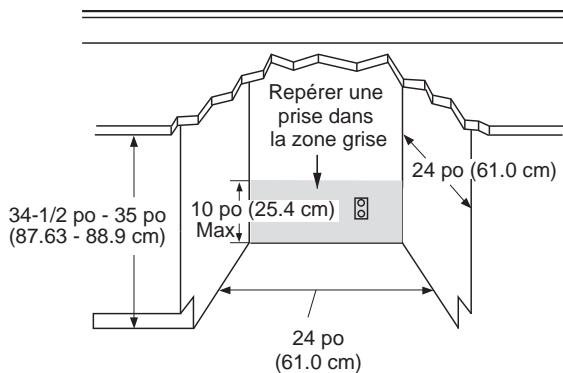
Vis



DIMENSIONS POUR REFROIDISSEUR DE VIN



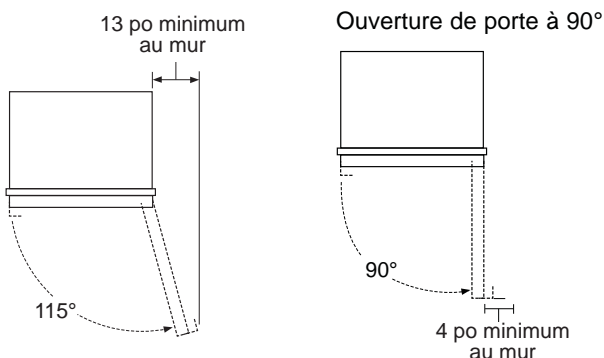
ESPACE D'INSTALLATION



DÉGAGEMENTS DU PRODUIT

Installation dans un coin :

- Laisser un dégagement minimal de 4 po du côté charnière pour une ouverture de porte à 90° et permettre l'extension des glissières.
- Laisser un dégagement minimal de 13 po du côté charnière pour une pleine ouverture de porte à 115°.



RETRAIT DES MATÉRIAUX D'EMBALLAGE

NOTE: Le coup-de-pied et la poignée de porte (certains modèles) sont inclus dans l'emballage qui recouvre le dessus de l'appareil. Une clé servant à installer les poignées est incluse dans le sac d'accessoires situé dans le tiroir supérieur.

- Retirer le ruban et les résidus de colle des surfaces avant de mettre le refroidisseur de vin en marche. Frotter une petite quantité de savon liquide à vaisselle sur l'adhésif avec les doigts. Rincer à l'eau tiède et sécher.

REMARQUE : Ne pas utiliser d'instruments coupants, d'alcool à friction, de liquides inflammables ou de nettoyants abrasifs pour enlever le ruban adhésif ou la colle. Ces éléments peuvent endommager la surface de votre refroidisseur de vin. Pour plus d'informations, voir la section sur les consignes de sécurité.

- Jeter/recycler tous les matériaux d'emballage.

⚠ AVERTISSEMENT

Les petits objets posent un risque d'étouffement pour les enfants. Retirer et mettre proprement au rebut toute pièce non utilisée.

NETTOYAGE AVANT UTILISATION

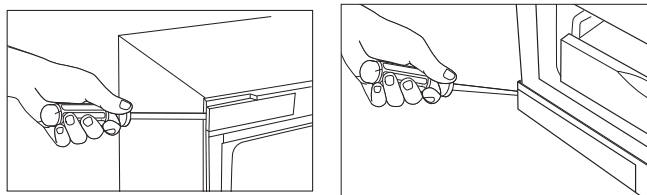
Retirez le ruban et les résidus de colle des surfaces avant de mettre le refroidisseur de vin en marche.

Instructions d'installation

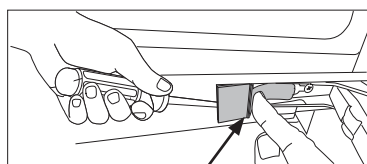
INSTALLATION DU REFROIDISSEUR DE VIN

INVERSION DU SENS D'OUVERTURE DE PORTE - MODÈLES AVEC POIGNÉE CAFÉ - CCP06DP****

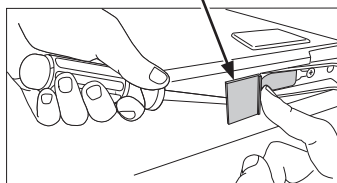
1. Ouvrir la porte et utiliser un tournevis à tête plate pour retirer les couvercles supérieur et inférieur sur la carrosserie à l'opposé du côté charnière.



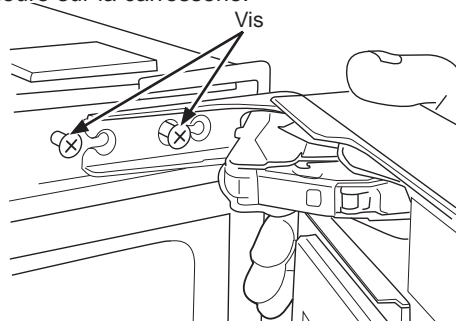
Avec un tournevis à tête plate, retirez les couvercles des charnières supérieures et inférieures pour accéder aux vis. Poussez sur la languette tout en dégageant le couvercle avec le tournevis à lame plate.



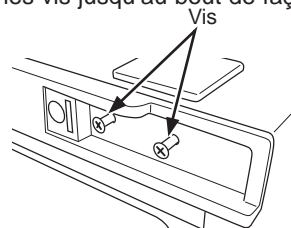
Pousser pour libérer



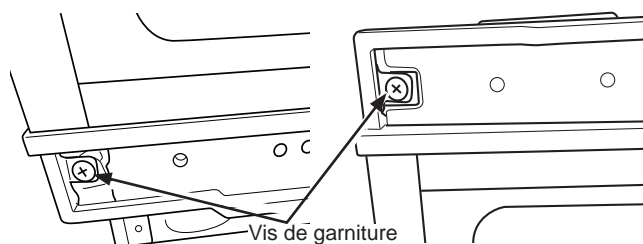
2. Desserrer les vis qui fixent les charnières supérieure et inférieure sur la carrosserie.



3. Retirer la porte et laisser les charnières ouvertes.
4. Retirer les vis de charnière et les poser sur le côté opposé. Ne pas visser les vis jusqu'au bout de façon que les



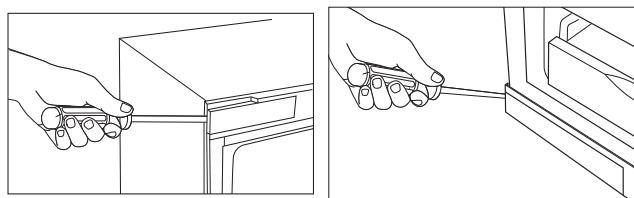
charnières puissent glisser derrière les têtes de vis.



5. Retirer les vis de garniture et les poser dans les coins opposés.
6. Inverser la porte et glisser les charnières derrière les têtes de vis.
7. Serrer les vis de charnière.
8. Installer les couvercles sur la carrosserie de l'autre côté.

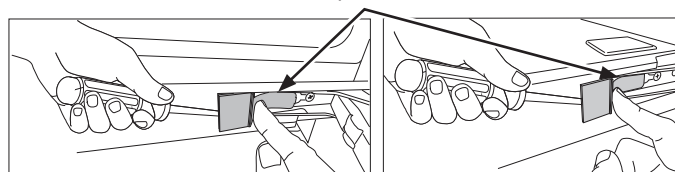
INVERSION DU SENS D'OUVERTURE DE PORTE - MODÈLES AVEC POIGNÉE ESCAMOTÉE - CCR06DM****

1. Ouvrir la porte et utiliser un tournevis à tête plate pour retirer les couvercles supérieur et inférieur sur la carrosserie à l'opposé du côté charnière.



Avec un tournevis à tête plate, retirez les couvercles des charnières supérieures et inférieures pour accéder aux vis. Poussez sur la languette tout en dégageant le couvercle avec le tournevis à lame plate.

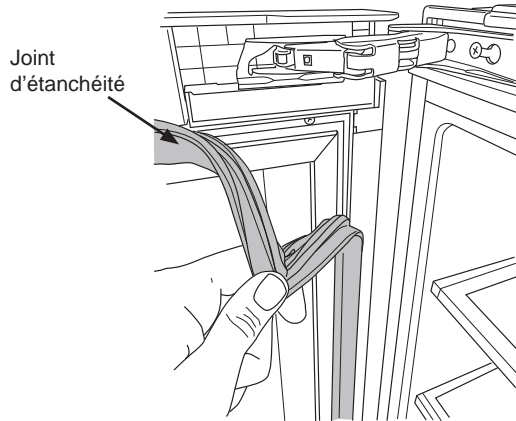
Pousser pour libérer



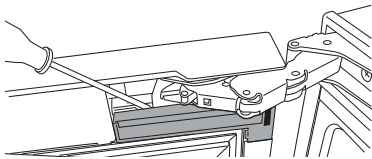
INSTALLATION DU REFROIDISSEUR DE VIN (suite)

INVERSION DU SENS D'OUVERTURE DE PORTE - MODÈLES AVEC POIGNÉE ESCAMOTÉE - CCR06DM**** (suite)

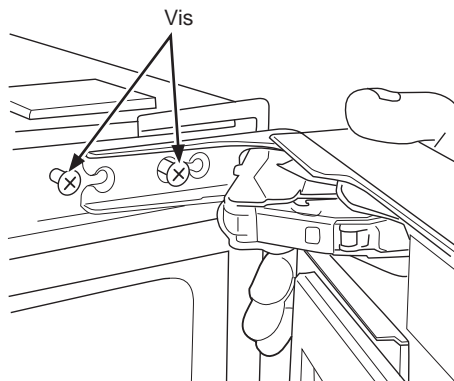
2. Modèles avec poignée escamotée



3. Avec un tournevis à tête plate, retirer les couvercles près des charnières supérieures et inférieures



4. Desserrer les vis qui fixent les charnières supérieure et inférieure sur la carrosserie.

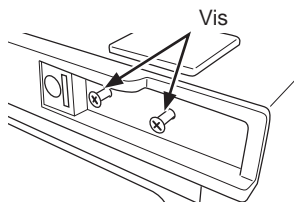


5. Retirer la porte et fermer les charnières.

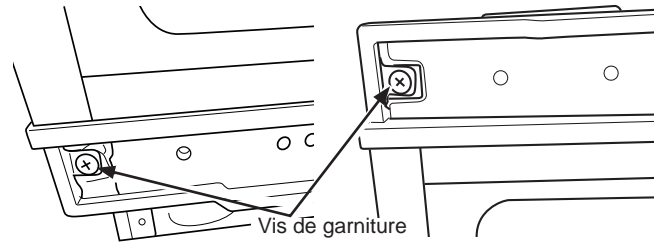
⚠ AVERTISSEMENT  **Risque de pincement au point de la charnière de porte**

Garder les doigts éloignés des parties mobiles internes de la charnière pendant la fermeture de la charnière.

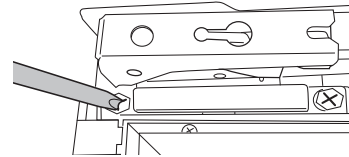
6. Retirer les vis de charnière et les poser sur le côté opposé. Ne pas visser les vis jusqu'au bout de façon que les charnières puissent glisser derrière les têtes de vis.



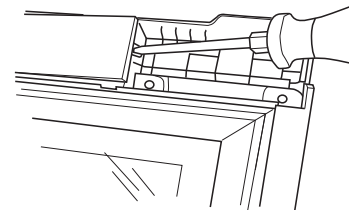
7. Retirer les vis de garniture et les poser dans les coins opposés.



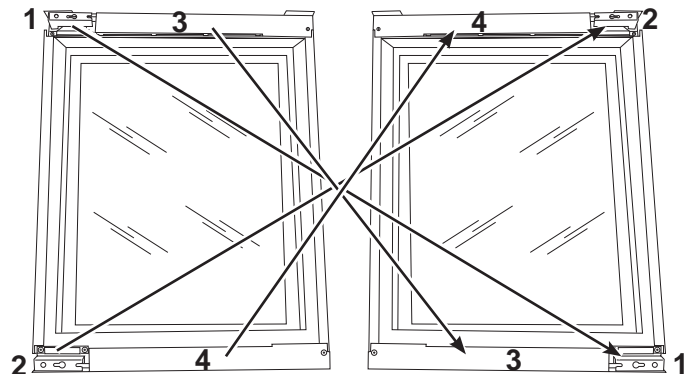
8. Retirer les charnières en dévissant complètement les deux (2) vis.



9. Avec un tournevis à tête plate, retirer les garnitures supérieure et inférieure de la porte.



10. Réinstaller les charnières et la garniture de porte aux endroits opposés, comme montré dans les images ci-dessous.



11. Ouvrir les charnières, installer la porte en glissant les charnières derrière les têtes de vis. Serrer les vis.

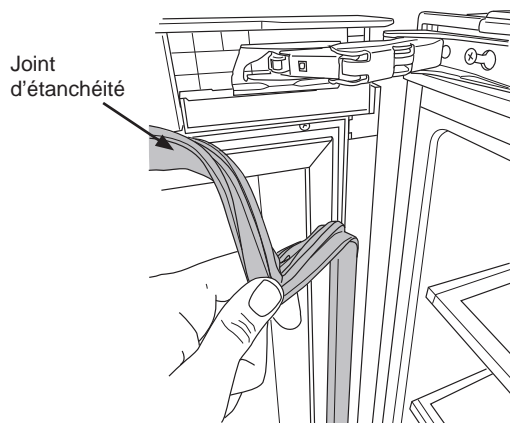
12. Réinstaller les garnitures restantes de la carrosserie et de la porte. Réinstaller le joint d'étanchéité, assurer que le joint d'étanchéité est complètement assis dans la pochette.

Instructions d'installation

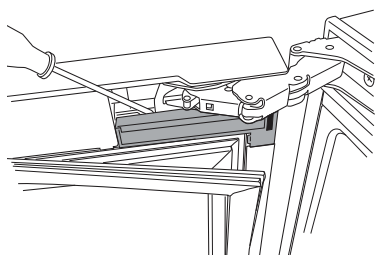
INSTALLATION DU REFROIDISSEUR DE VIN

AJUSTEMENT DE LA PORTE

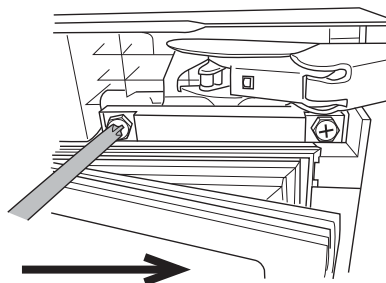
1. Dégager le joint d'étanchéité près de la charnière.



2. Utiliser un tournevis à lame plate pour retirer le couvercle de plastique.



3. Desserrer les vis pour faire l'ajustement et serrer les vis.
REMARQUE : Pousser la porte en direction de la flèche pour soulever le côté poignée de la porte.

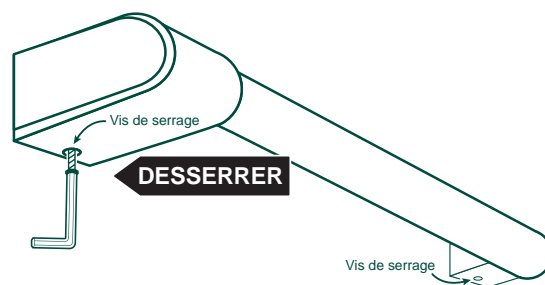


4. Réinstaller le couvercle de plastique et le joint d'étanchéité. S'assurer que le joint d'étanchéité est complètement inséré dans son logement.

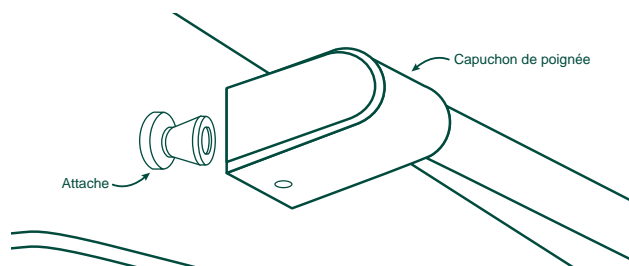
Retirez tout le film protecteur de la porte avant d'installer la poignée.

INSTALLATION DES POIGNÉES

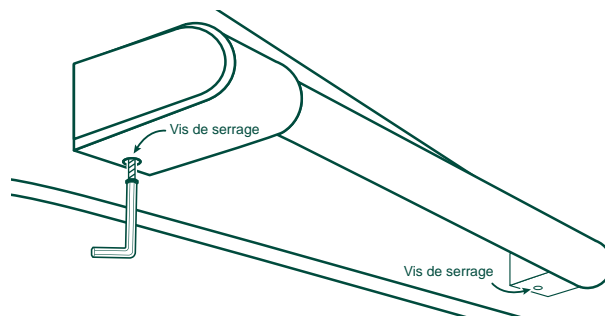
1. Retirer la clé hexagonale pour poignée du sac d'accessoires situé à l'intérieur du refroidisseur de vin.
2. Retirer les poignée de la pièce supérieure de l'emballage. La poignée avec l'écusson va sur le tiroir supérieur et celle sans écusson sur le tiroir inférieur.
3. Desserrer la vis de serrage à l'aide de la clé hexagonale.



Placer les capuchons de poignée sur les fixations de la porte. Veiller à supporter la poignée car elle pourrait tomber et rayer le fini de l'électroménager. S'assurer que les deux capuchons de poignée reposent sur la face de la porte.



4. Verrouiller une extrémité de la poignée en position en serrant la vis de serrage à l'aide de la clé hexagonale fournie. NE PAS serrer excessivement.



5. Continuer de supporter la poignée pour verrouiller l'autre extrémité de la poignée en serrant la vis de serrage dans le capuchon de poignée. NE PAS serrer excessivement.

Instructions d'installation

INSTALLATION DU REFROIDISSEUR DE VIN (suite)

MÉTHODE 1

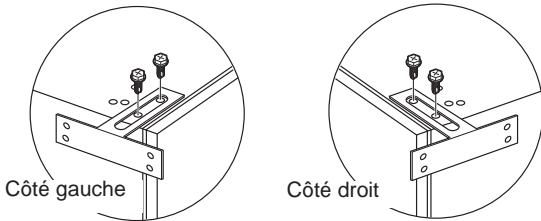
INSTALLATION SOUS COMPTOIR

Mise à niveau du refroidisseur de vin

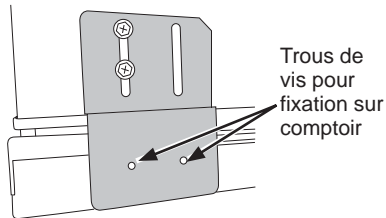
Le réglage des pieds de nivellement sous le refroidisseur de boissons peut s'avérer nécessaire pour sa mise en place dans l'ouverture. Incliner l'appareil pour régler la hauteur des quatre pieds de nivellement.

Fixation des ferrures antibasculement

1. Retirez les couvercles des trous dans le haut du refroidisseur de vin afin d'exposer les trous utilisés pour installer les ferrures antibasculement.
2. Ôter les brides antibasculement et les vis du sachet d'accessoires.
3. Si vous installez sur des armoires adjacentes, utilisez la vis A (4), fixer une ferrure antibasculement dans le haut de la carrosserie sur chaque côté.

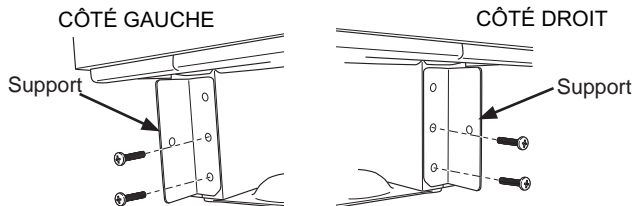


4. Si l'appareil se fixe sur un comptoir, utiliser la Vis A (2), pour fixer le support sur le côté charnière.

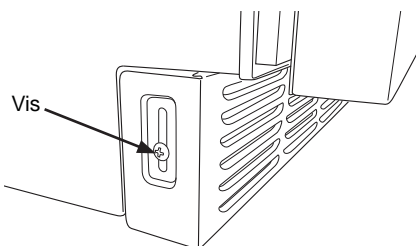


Installation du coup-de-pied

1. À l'aide des vis B (4), fixer les supports de coup-de-pied dans le bas de la carrosserie sur chaque côté, comme illustré.



2. Installez le coup-de-pied. Utilisez la vis B ou la vis E selon la couleur de votre coup-de-pied.



BRANCHEMENT DE L'ALIMENTATION ÉLECTRIQUE

AVERTISSEMENT  **RISQUE DE DÉCHARGE ÉLECTRIQUE**

Brancher sur une prise à 3 alvéoles reliée à la terre.

Ne pas enlever la broche de liaison à la terre du cordon d'alimentation.

Ne pas utiliser un adaptateur.

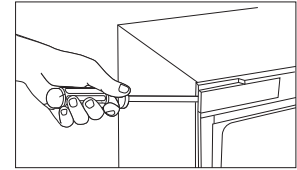
Ne pas utiliser un câble de rallonge.

Le non-respect de cette instruction pourrait causer un décès, un incendie ou un choc électrique.

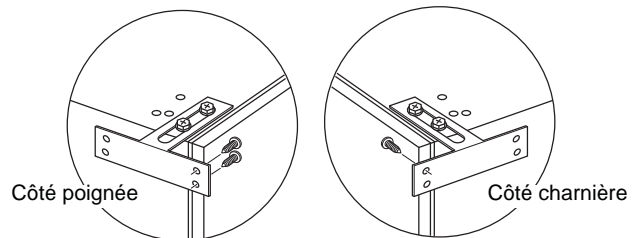
- Brancher sur une prise à 3 alvéoles reliée à la terre.

FIN DE L'INSTALLATION- Installation sur armoires adjacentes

1. Retirer le couvercle.



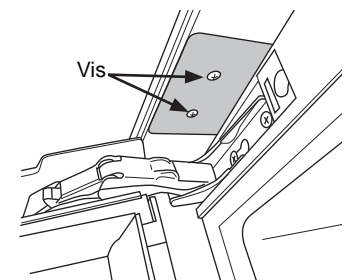
2. Glissez le refroidisseur de vin sous le comptoir.
3. Installez le refroidisseur de vin sur les armoires à l'aide des vis C (3).



4. Réinstaller le couvercle.

FIN DE L'INSTALLATION - Installation sur comptoir

1. Glissez le refroidisseur de vin sous le comptoir.
2. Installer le refroidisseur de vin sur les plan de travail à l'aide des vis C (2).



Instructions d'installation

INSTALLATION DU REFROIDISSEUR DE VIN (suite)

MÉTHODE 2

INSTALLATION AUTOPORTEUSE

Fixation du dispositif de protection sur la charnière

1. Retirer le couvercle de trou dans le haut de la carrosserie du refroidisseur de boissons du côté charnière afin d'exposer les trous utilisés pour installer le dispositif de protection.
2. Retirer le dispositif de protection et les vis du sac d'accessoires.

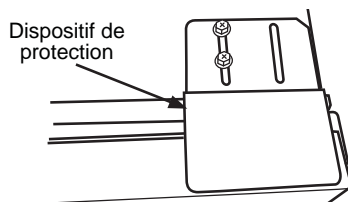
⚠ AVERTISSEMENT



Risque de pincement de doigts

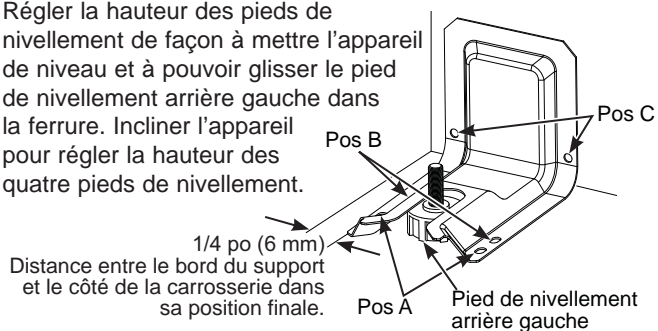
Une installation incorrecte peut présenter un risque de coincement de doigts près de la charnière en manipulant la porte. Si l'installation ne s'effectue pas sous le comptoir, suivre les instructions d'installation. Un dispositif de protection est fourni pour limiter l'accès à la charnière de porte.

3. À l'aide des vis A (2), installer le dispositif de protection du côté charnière de la carrosserie, comme illustré.



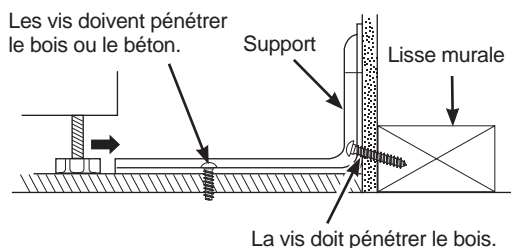
Mise à niveau du refroidisseur de vin

Régler la hauteur des pieds de nivellement de façon à mettre l'appareil de niveau et à pouvoir glisser le pied de nivellement arrière gauche dans la ferrure. Incliner l'appareil pour régler la hauteur des quatre pieds de nivellement.



Support de stabilisation

1. Déterminer la position finale de la carrosserie avant d'installer le support. Ce support va capturer le nivellement gauche arrière.
2. Le support doit être fixé soit sur le PLANCHER, soit sur le MUR ARRIÈRE. Deux vis doivent pénétrer dans le plancher ou le mur aux Positions A, B ou C.



INSTALLATION AUTOPORTEUSE (suite)

Installation sur PLANCHER :

PLANCHER EN BOIS : Utiliser les vis D (2) pour fixer le support en utilisant la paire de trous identifiés (soit Pos A ou B).

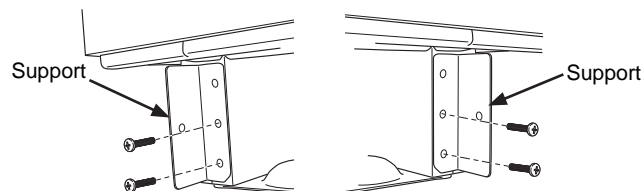
PLANCHER EN BÉTON : Utiliser une vis conçue pour le béton et fixer le support sur le plancher en utilisant la paire de trous identifiés (soit Position A ou B). Les vis pour béton ne sont pas fournies avec l'appareil.

Installation sur MUR ARRIÈRE :

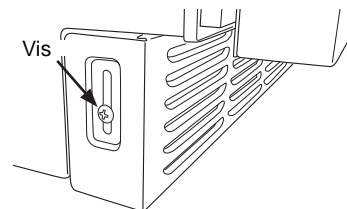
Utiliser les vis D (2) pour fixer le support en utilisant la paire de trous identifiés Pos C. Les vis DOIVENT pénétrer dans la lisse murale en bois. Si le mur est composé de montants métalliques ou de matériaux similaires, il faut alors fixer l'appareil sur le plancher.

Installation du coup-de-pied

1. Utiliser les vis C (4), fixer les supports de coup-de-pied dans le bas de la carrosserie sur chaque côté, comme illustré.



2. Installez le coup-de-pied. Utilisez la vis B ou la vis E selon la couleur de votre coup-de-pied.



BRANCHEMENT DE L'ALIMENTATION ÉLECTRIQUE

⚠ AVERTISSEMENT



RISQUE DE DÉCHARGE ÉLECTRIQUE

Brancher sur une prise à 3 alvéoles reliée à la terre.

Ne pas enlever la broche de liaison à la terre du cordon d'alimentation.

Ne pas utiliser un adaptateur.

Ne pas utiliser un câble de rallonge.

Le non-respect de cette instruction pourrait causer un décès, un incendie ou un choc électrique.

- Brancher sur une prise à 3 alvéoles reliée à la terre.

FIN DE L'INSTALLATION

Glisser le refroidisseur de vin dans sa position finale. Le pied de nivellement arrière doit être complètement inséré dans la ferrure antibasculement.

Conseils de dépannage... Avant de planifier une visite de service

Économisez temps et argent! Examinez d'abord les tableaux des pages suivantes, vous pourriez éviter une visite de service.

PROBLÈME	CAUSE(S) POSSIBLE(S)	SOLUTION
Le refroidisseur de vin ne fonctionne pas	Le refroidisseur de vin est débranché.	Brancher le cordon dans une prise électrique.
	Le disjoncteur est déclenché ou un fusible est grillé.	Réenclencher le disjoncteur ou remplacer le fusible.
Le compresseur du refroidisseur fonctionne fréquemment ou durant longtemps	Normal when first plugged in Réenclencher le disjoncteur ou remplacer le fusible.	Allouez 24 heures pour le refroidissement complet du refroidisseur de vin.
	Des bouteilles chaudes ou nombreuses ont été ajoutées.	Ce phénomène est normal.
	La porte a été laissée ouverte.	S'assurer qu'un article n'empêche pas la porte de bien fermer.
	Temps chaud ou fréquentes ouvertures de porte.	Cela est normal pour maintenir la température constante pendant les jours chauds et humides.
	Le joint d'étanchéité n'est pas étanche.	Nettoyer le joint d'étanchéité.
Une odeur émane du refroidisseur de vin	L'intérieur doit être nettoyé.	Nettoyer l'intérieur. Voir la section Nettoyage.
La lampe ne s'allume pas	Le refroidisseur de vin est débranché.	Brancher l'appareil dans une prise électrique.
	La lampe DEL est grillée.	Contactez un technicien qualifié pour remplacer la lampe grillée.
Vibrations ou cliquetis	Le refroidisseur de vin ne repose pas solidement sur le plancher.	Voir la section sur la mise à niveau.
Sons normaux	Un son d'eau qui s'écoule provient du refroidisseur de vin.	Le réfrigérant qui circule dans la tubulure émet ce son lorsque le compresseur démarre ou s'arrête.
	Sons de vrombissement ou de bourdonnement.	Le compresseur et les ventilateurs émettent ce son. Si le refroidisseur n'est pas de niveau, le son sera plus fort.
	Sons de craquement ou de claquement.	Les pièces internes émettent ce son lorsqu'elles se contractent ou se dilatent à la suite de changements de température.
TEMPÉRATURE ET HUMIDITÉ		
Le refroidisseur de vin est trop chaud	Le réglage de température n'est pas suffisamment bas.	Régler la température à un degré plus froid; allouer 24 heures pour le plein résultat.
	Porte ouverte fréquemment ou laissée ouverte.	Garder la porte fermée; vérifier qu'aucun article n'empêche la porte de fermer.
	Des bouteilles chaudes ont été ajoutées récemment.	Laissez du temps pour refroidir l'appareil et le vin.
	Le joint d'étanchéité n'est pas suffisamment étanche.	Nettoyer le joint d'étanchéité.
Le refroidisseur de vin est trop froid	Le réglage de température est trop bas.	Régler la température au prochain réglage plus chaud; allouer 24 heures pour le plein résultat.
Humidité sur l'extérieur ou l'intérieur du refroidisseur de vin	Humidité élevée.	Ce phénomène est normal. Sécher la surface et régler la température à un degré légèrement plus froid.
	Porte ouverte fréquemment ou laissée ouverte.	Garder la porte fermée. Vérifier qu'aucun article n'empêche la porte de fermer.
	Le joint d'étanchéité n'est pas suffisamment étanche.	Nettoyer le joint d'étanchéité.

Notes

Garantie limitée du réfrigérateur Café

cafeappliances.ca

Toutes les réparations en vertu de la garantie sont fournies par nos Centres de Service d'Usine ou par un technicien en réparation autorisé. Pour prévoir une réparation, consultez notre site cafeappliances.ca/service. Veuillez avoir votre numéro de série et votre numéro de modèle à portée de main lorsque vous appelez pour obtenir un service.

Pour le diagnostic, la réparation de votre réfrigérateur peut nécessiter l'utilisation du port de données embarqué. Celui-ci permet au technicien de réparation Café de diagnostiquer rapidement des problèmes avec votre appareil. Il permet également à Café d'améliorer ses produits en fournissant à ces derniers des informations sur votre appareil. Si vous ne voulez pas que les données de votre appareil soient envoyées à Café, veuillez demander à votre technicien de NE PAS soumettre les données à Café pendant la réparation.

Pendant la période de garantie de :	CAFÉ remplacera :
Un An A compter de la date d'achat initial	Toute pièce du refroidisseur de vin qui s'avère défectueuse en raison d'un défaut de matériau ou de fabrication. Pendant la validité de la présente garantie limitée d'un an, Café fournira également gratuitement la main d'œuvre et le service pour réparer la pièce défectueuse.
Cinq Ans A compter de la date d'achat	Toute pièce du système fermé du réfrigérateur (compresseur, condenseur, évaporateur et tous les tuyaux de raccordement) qui s'avère défectueuse en raison d'un défaut de matériau ou de fabrication. Pendant la validité de la présente garantie limitée de cinq ans , Café fournira également gratuitement la main d'œuvre et le service pour réparer la pièce défectueuse dans le système fermé du réfrigérateur.

Ce qui n'est pas couvert par Café :

- Les déplacements à votre domicile pour vous expliquer l'utilisation de ce produit
- Une installation, livraison ou maintenance défectueuse.
- Une panne du produit par abus d'utilisation, par mauvaise utilisation, par modification ou s'il a été utilisé dans un but autre que celui pour lequel il a été fabriqué.
- Détérioration des aliments.
- Le remplacement des fusibles ou le réenclenchement du disjoncteur du domicile.
- Les dommages à la finition, tels que rouille de surface, ternissement ou petites taches, non signalés dans un délai de 48 heures suivant la livraison.
- Tout dommage causé par accident, incendie, inondation ou une catastrophe naturelle.
- Tout dommage fortuit ou indirect causé par des défauts éventuels de cet appareil.
- Le service s'il est impossible d'avoir accès au produit.

EXCLUSION DES GARANTIES TACITES

Votre recours exclusif est l'échange du produit suivant les modalités de la Garantie Limitée. Toutes garanties tacites, y compris les garanties de valeurs marchandes ou d'adéquation à des fins particulières, sont limitées à une durée d'un an ou à la durée la plus courte autorisée par la loi.

Pour les clients des États-Unis : Cette garantie limitée est offerte à l'acheteur initial et à tout propriétaire successif de produits à usage domestique à l'intérieur des États-Unis. Si le produit est installé dans une région où ne se trouve aucun réparateur autorisé Café, vous devrez peut-être assumer les frais de transport ou apporter l'appareil à un centre de service autorisé Café. En Alaska, la garantie limitée exclut les frais d'expédition ou de service à votre domicile.

Certains états n'acceptent pas d'exclusion ou de limites aux dommages indirects consécutifs. Cette garantie vous accorde des droits particuliers et il peut exister d'autres droits qui varient selon l'État ou la province. Pour connaître vos droits juridiques, veuillez consulter le bureau local ou le bureau d'état des affaires aux consommateurs ou le Procureur Général de votre état.

Garant : États-Unis : GE Appliances, a Haier company
Louisville, KY 40225

Cette garantie est étendue à l'acheteur d'origine et aux propriétaires suivants pour tout produit acheté aux Canada pour une utilisation domestique aux Canada. Le service à domicile en vertu de la garantie sera fourni dans les régions où il est disponible et où Mabe estime raisonnable de le fournir.

Garant Canada: MC Commercial, Inc., Burlington, Ontario, L7R 5B6

GARANTIE LIMITÉE

Pour bénéficier du service de réparation sous garantie, une preuve de la date d'achat initial est nécessaire.

Soutien au consommateur

Site Web de Café

Vous avez une question ou vous avez besoin d'aide pour votre appareil électroménager? Visitez le site Web de Café 24 heures par jour, tous les jours de l'année! Vous pouvez aussi y trouver d'autres formidables produits Café et tirer avantage de tous nos services d'assistance en ligne. Aux États-Unis : cafeappliances.com
Au Canada : cafeappliances.ca

Enregistrez votre électroménager

Enregistrez votre nouvel appareil en ligne au moment qui vous convient le mieux! L'enregistrement de votre produit dans les délais prescrits permet une meilleure communication et un service rapide, selon les modalités de votre garantie, si besoin est. Vous pouvez également envoyer par courrier la carte d'enregistrement pré-imprimée qui se trouve dans l'emballage de votre appareil.

Aux États-Unis : cafeappliances.com/register

Au Canada : cafeappliances.ca/register

Service de réparation

Un service de réparation expert Café se trouve à quelques pas de chez vous. Rendez-vous sur notre site et programmez, à votre convenance, une visite de réparation à n'importe quel jour de l'année.

Aux États-Unis : cafeappliances.com/service

Au Canada : cafeappliances.ca/service

Prolongation de garantie

Procurez-vous une prolongation de garantie Café et informez-vous des rabais spéciaux en vigueur pendant la durée de votre garantie. Vous pouvez vous la procurer en ligne en tout temps. Les services Café seront toujours disponibles après l'expiration de la garantie. Aux États-Unis : cafeappliances.com/service

Au Canada : cafeappliances.ca/service

Pièces et accessoires

Les personnes ayant les compétences requises pour réparer elles-mêmes leurs appareils peuvent recevoir directement à la maison des pièces ou accessoires (les cartes VISA, MasterCard et Discover sont acceptées). Commandez en ligne 24 heures par jour.

Aux États-Unis : cafeappliances.com

Au Canada : cafeappliances.ca

Les instructions contenues dans le présent manuel comportent des procédures que tout utilisateur peut effectuer. Les autres types de réparation doivent généralement être confiés à un technicien qualifié. Utilisez de prudence : une réparation ou un entretien mal effectués peuvent rendre l'utilisation de l'appareil dangereuse.

Communiquez avec nous

Si vous n'êtes pas satisfait du service après-vente de Café, communiquez avec nous depuis notre site Web en fournissant tous les détails dont votre numéro de téléphone, ou écrivez à :

Aux États-Unis : General Manager, Customer Relations | Café, Appliance Park | Louisville, KY 40225

cafeappliances.com/contact

Au Canada : Director, Consumer Relations, Mabe Canada Inc. | Suite 310, 1 Factory Lane | Moncton, N.B. E1C 9M3

cafeappliances.ca/contact

CAFÉ

DISTINCT BY DESIGN™

Manual del propietario e instrucciones de instalación

Centro de Vinos en Bajo Mesada

CCP06DP*****

CCR06DM*****

Contenido

Información de Seguridad	3	El Espacio de Instalación	11
Uso del Centro de Vinos		Espacios Libres del Producto	11
Controles	6	Retiro del Embalaje	11
WiFi	7	Inversión de la Apertura de la Puerta	12
Cajones de Extensión Completa	8	Ajuste de la Puerta	14
Inserte las Botellas de Vino	8	Instalación de las Manijas	14
Cuidado y limpieza	9	Método 1 – Instalación de la Mesada	15
Limpieza de la Parte Exterior	9	Método 2 – Instalación de los Gabinetes Adyacentes	16
Limpieza de la Parte Interior	9	Conexión al Tomacorriente	16
Vacaciones y Mudanzas	9	Complete la Instalación	16
Instrucciones de Instalación		Consejos para la Solución de Problemas	17
Antes de Comenzar	10	Garantía Limitada	19
Requisitos de Ubicación	10	Soporte al Cliente	20
Dimensiones del Centro de Vinos	11		

Escriba los números de modelo y de serie aquí:

Nº de Modelo _____

Nº de Serie _____

Encuentre estos números en una etiqueta dentro de su centro de vinos sobre el lateral izquierdo cerca de la parte superior.

ESPAÑOL

GRACIAS POR HACER QUE CAFÉ SEA PARTE DE SU HOGAR.

Sentimos orgullo por el nivel de arte, innovación y diseño de cada uno de los electrodomésticos de Café, y creemos que usted también. Entre otras cosas, el registro de su electrodoméstico asegura que podamos entregarle información importante del producto y detalles de la garantía cuando los necesite.

Registre su electrodoméstico Café ahora a través de Internet. Sitios Web y números telefónicos útiles están disponibles en la sección de Soporte para el Consumidor de este Manual del Propietario. También puede enviar una carta en la tarjeta de inscripción preimpresa que se incluye con el material embalado.

C A F É

DISTINCT BY DESIGN™

INFORMACIÓN IMPORTANTE DE SEGURIDAD

LEA TODAS LAS INSTRUCCIONES ANTES DE USAR

⚠ ADVERTENCIA

A fin de reducir el riesgo de incendio, explosión, descargas eléctricas o lesiones al usar su refrigerador, siga estas precauciones básicas de seguridad:

- Use este electrodoméstico sólo para su propósito original, como se describe en el Manual del Propietario.
- Este electrodoméstico se deberá instalar y ubicar adecuadamente de acuerdo con las Instrucciones de Instalación antes de ser usado.
- Desenchufe el electrodoméstico antes de hacer reparaciones, reemplazar una lámpara de luz o hacer una limpieza.
NOTA: La corriente que va al electrodoméstico no puede ser desconectada por ninguna configuración del panel de control.
NOTA: Las reparaciones deberán ser realizadas por un Profesional del Servicio Técnico calificado.
- Reemplace todas las piezas y paneles antes del uso.
- No use un prolongador.
- Mantenga cualquier material y vapores inflamables alejados del electrodoméstico.
- No guarde sustancias explosivas tales como latas de aerosoles con propelentes inflamables en este electrodoméstico.
- A fin de evitar riesgos de que los niños sufran asfixia o queden atrapados, retire las puertas de cualquier electrodoméstico antes de deshacerse o dejar de usar el mismo.
- A fin de evitar riesgos de que los niños sufran asfixia o queden atrapados, retire las puertas refrigerador antes de deshacerse o dejar de usar el mismo.
- Los niños y las personas con capacidad física, sensorial o mental reducida o con falta de experiencia y conocimiento podrán usar este electrodoméstico sólo si son supervisados o les fueron dadas instrucciones sobre un uso seguro y entienden los riesgos involucrados.
- Este electrodoméstico fue diseñado para uso hogareño y para aplicaciones similares tales como: áreas de personal de cocina en tiendas, oficinas y otros espacios laborales; casas de campo; por clientes en hoteles, moteles, hostales y otros espacios residenciales, catering y aplicaciones no minoristas similares.
- No aplique limpiadores ásperos sobre el electrodoméstico. Ciertos limpiadores dañarán el plástico, lo cual podrá hacer que ciertas piezas tales como la puerta o las manijas de las puertas se separen de forma inesperada. Para acceder a instrucciones detalladas, lea la sección de Cuidado y Limpieza.

⚠ PRECAUCIÓN

A fin de reducir el riesgo de lesiones al usar el electrodoméstico, siga estas precauciones básicas.

- Mantenga los dedos fuera de los espacios de "riesgo de lastimaduras"; los despejes entre las puertas y entre las puertas y el gabinete son necesariamente pequeños. Tenga el cuidado de cerrar las puertas cuando los niños se encuentren en el área.

⚠ ADVERTENCIA



RIESGO DE INCENDIO O EXPLOSIÓN

Mantenga cualquier material y vapores inflamables alejados del electrodoméstico. Si no se cumple con esto, se podrá producir una explosión, incendio o la muerte.

⚠ ADVERTENCIA

A fin de reducir el riesgo asociado con descargas, no permita que los niños menores de 3 años de edad tengan acceso a las partes pequeñas durante la instalación de este producto.

⚠ ADVERTENCIA

Peligro de Peso Excesivo

Cuente con la ayuda de dos o más personas para mover e instalar el centro de vinos. No seguir esta instrucción puede ocasionar una lesión en la espalda u otro tipo de lesiones.

LEA Y GUARDE ESTAS INSTRUCCIONES

INFORMACIÓN IMPORTANTE DE SEGURIDAD LEA TODAS LAS INSTRUCCIONES ANTES DE USAR

CONEXIÓN DE LA ELECTRICIDAD

⚠ ADVERTENCIA



RIESGO DE DESCARGA ELÉCTRICA

Enchufe en un tomacorriente con conexión a tierra de 3 cables.

No elimine el cable de conexión a tierra.

No use un adaptador.

No use un prolongador.

Si no se siguen estas instrucciones se podrá producir a muerte, incendios o descargas eléctricas.

Nunca, bajo ninguna circunstancia, corte o elimine el tercer cable (tierra) del cable de corriente. Para su seguridad personal, este electrodoméstico debe estar adecuadamente conectado a tierra.

El cable de corriente de este electrodoméstico contiene un enchufe de 3 cables (conexión a tierra) que se conecta a un tomacorriente de pared estándar de 3 cables (conexión a tierra) para minimizar la posibilidad de riesgos de descargas eléctricas por parte del mismo.

Contrate a un electricista calificado para que controle el tomacorriente y el circuito eléctrico, a fin de asegurar que el enchufe esté correctamente conectado a tierra.

En caso de contar con un tomacorriente de pared de 2 cables, es su responsabilidad y obligación reemplazarlo por un tomacorriente de pared de 3 cables correctamente conectado a tierra. No use un adaptador.

El refrigerador debería estar siempre conectado a un enchufe específico con un índice de voltaje equivalente al que figura en su etiqueta de características técnicas.

Se requiere un suministro eléctrico con fusible y conexión a tierra de 115 voltios de CA, 60 Hz, 15 o 20 amperes. Esto garantiza el mejor funcionamiento y además previene la sobrecarga de los circuitos del hogar, lo cual podría ocasionar riesgos de incendio debido al recalentamiento de cables.

Nunca desenchufe el centro de vinos tirando del cable de corriente. Siempre tome su enchufe firmemente y empuje el mismo hacia afuera para retirarlo.

Repare o reemplace de inmediato todos los cables de corriente pelados o con cualquier tipo de daño. No use un cable con cortaduras o abrasión sobre su extensión o extremos.

Al alejar el refrigerador de la pared, se deberá tener cuidado de que no ruede sobre ni dañe el cable de corriente.

FORMA ADECUADA DE DESCARTAR SU ANTIGÜO ELECTRODOMÉSTICO

⚠ ADVERTENCIA

PELIGRO DE SUFFOCATION Y ENTRAPMENT

El incumplimiento de estas instrucciones de eliminación puede causar la muerte o lesiones graves.

IMPORTANTE: Que un niño quede atrapado o que sufra una asfixia no son problemas del pasado. Los **appliances** antiguos o abandonados aún son peligrosos, incluso aunque se conserven por "sólo unos pocos días". Si se deshará de su antiguo aparato, siga las siguientes instrucciones a fin de evitar accidentes.

Antes de Descartar su Antiguo Aparato:

- Quite la puerta.
- Deje los cajones en su lugar así los niños no pueden meterse adentro con facilidad.

Cómo Eliminar Refrigerantes y Gomaespumas:

Descarte el electrodoméstico de acuerdo con las Regulaciones Federales y Locales. El material aislante inflamable usado requiere procedimientos de descarte especiales. Comuníquese con las autoridades locales para descartar su electrodoméstico de forma ambientalmente segura.

LEA Y GUARDE ESTAS INSTRUCCIONES

INFORMACIÓN IMPORTANTE DE SEGURIDAD

LEA TODAS LAS INSTRUCCIONES ANTES DE USAR

⚠️ ADVERTENCIA



RIESGO DE INCENDIO O EXPLOSIÓN Refrigerantes Inflamables

Este electrodoméstico cuenta con refrigerante isobutano, también conocido como R600a, un gas natural con alto nivel de compatibilidad medioambiental. Sin embargo, también es combustible. Siga las advertencias que figuran a continuación, a fin de reducir el riesgo de lesiones o daños sobre la propiedad.

1. Al mover, instalar y operar el electrodoméstico, se deberá tener cuidado de no dañar la tubería del refrigerante.
2. El servicio técnico sólo debe ser realizado por personal autorizado del servicio. Use sólo piezas del servicio autorizadas por el fabricante
3. Descarte el electrodoméstico de acuerdo con las Regulaciones Federales y Locales. El refrigerante inflamable y el material aislante inflamable usados requieren procedimientos de descarte especiales. Comuníquese con las autoridades locales para descartar su refrigerador de forma ambientalmente segura.
4. Mantenga las aberturas de ventilación en el espacio de protección del electrodoméstico o en la estructura incorporada libres de obstrucción.
5. A fin de eliminar la escarcha, raspe con una espátula o raspador de plástico o madera. No use un instrumento con pico de hielo, metal, o con forma puntiaguda, ya que esto podrá perforar el revestimiento del electrodoméstico y luego la tubería refrigerante inflamable detrás de éste.
6. No use dispositivos eléctricos dentro del compartimiento de almacenamiento de comida del electrodoméstico.
7. No use ningún dispositivo eléctrico para descongelar su electrodoméstico.

LEA Y GUARDE ESTAS INSTRUCCIONES

Uso del Centro de Vinos

CONTROLES



Configuración de Temperatura

El rango de temperatura de ambas áreas del centro de vinos es de entre 41°F (5°C) y 61°F (16°C)

La pantalla de temperatura sólo podrá mostrar la temperatura de un área por vez. “Superior” o “Inferior” se visualizan sobre la derecha de la temperatura para indicar el área seleccionada. Use el botón **Zone Select** (Selección del Área) para seleccionar el área que desea visualizar o cambiar.

Use los botones + y – para incrementar o reducir las configuraciones de temperatura.

Conversión entre °C y °F

Mantenga presionados + y **Display** (Pantalla) durante 3 segundos. La pantalla de temperatura pasará de grados Fahrenheit a grados Celsius. Mantenga presionados + y **Display** (Pantalla) durante 3 segundos nuevamente para volver a pasar a Fahrenheit.

Encender/ Apagar la Refrigeración

Mantenga presionado **Power** (Encendido) durante 3 segundos para apagar la refrigeración e iluminación. Esto no desconecta la corriente del centro de vinos.

Alarma de la Puerta

Sonará una alerta si se deja la puerta abierta. La alerta se detendrá cuando se cierre la puerta. Detenga la alerta presionando el botón **Alarm** (Alarma). Detenga la alarma de la puerta manteniendo presionado – y **Alarm** (Alarma) durante 3 segundos. Mantenga presionados – y **Alarm** (Alarma) durante 3 segundos para reiniciar la función.

Alerta de Temperatura Alta

Suena una alerta cuando la temperatura se encuentra fuera del rango normal. Detenga la alerta presionando el botón **Alarm** (Alarma). Detenga la Alerta de Temperatura Alta manteniendo presionado **Display** (Pantalla) y **Alarm** (Alarma) durante 3 segundos. Mantenga presionados **Display** (Pantalla) y **Alarm** (Alarma) durante 3 segundos para reiniciar la función.

Bloqueo del Control Infantil

La función de bloqueo de control infantil previene cambios no deseados en las configuraciones del centro de vinos.

Para bloquear, mantenga presionado **Control Lock** (Bloqueo de los Controles) durante 3 segundos. Para desbloquear, mantenga presionado **Control Lock** (Bloqueo de los Controles) durante 3 segundos.

Iluminación de Proximidad

La luz interior se activa cuando alguien se acerca al centro de vinos. Para desactivar esta función, mantenga presionados **Alarm** (Alarma), **Display** (Pantalla) y **Control Lock** (Bloqueo del Control) durante 3 segundos. Mantenga presionados **Alarm** (Alarma), **Display** (Pantalla) y **Control Lock** (Bloqueo del Control) durante 3 segundos para reiniciar la función.

Modo de Pantalla

La luz interior mejora la pantalla de recolección. Presione el botón **Display** (Pantalla) para activar el modo de pantalla. En el modo de pantalla, la iluminación interior permanecerá encendida incluso cuando la puerta se cierre y la luz de proximidad esté apagada. Presione el botón **Display** (Pantalla) nuevamente para salir del modo de pantalla.

Modo Sabático

El Modo Sabático fue diseñado para el Día de Descanso Judío y Feriados. La función Sabbath Mode (Modo Sabático) hace posible para las personas de religión judía que siguen esta celebración usar el centro de bebidas durante todo el feriado.

La función Sabbath Mode (Modo Sabático) se puede configurar para anular reacciones típicas ocasionadas por su interacción con el centro de vinos. Mientras se encuentre en Sabbath Mode (Modo Sabático), su electrodoméstico continuará funcionando. Sin embargo, éste no responderá a sus acciones.

Mientras se encuentre en Sabbath Mode (Modo Sabático), es posible que observe que el ventilador está funcionando cuando se abre la puerta; sin embargo, esto no es el resultado de sus acciones. El compresor y el ventilador funcionarán en horarios predeterminados.

ON/OFF (Encendido/ Apagado) – Para activar Sabbath Mode (Modo Sabático), mantenga presionados - y **DISPLAY** (Pantalla) durante 3 segundos. **SA** se visualizará en el control. **SA** permanecerá en la pantalla y todas las configuraciones del control quedarán congeladas y permanecerán en el último modo antes de entrar en Sabbath Mode (Modo Sabático). Los controles y las luces no funcionarán hasta que – y **DISPLAY** (Pantalla) se presionen nuevamente durante 5 segundos para salir de Sabbath Mode (Modo Sabático).




Modo de Bloqueo

Se usa cuando usted no está y no desea que otras personas abran su centro de bebidas. Tan pronto como la puerta se abra, sonará la alarma de la puerta. La iluminación interior permanecerá apagada. Si el centro de bebidas se encuentra conectado al WiFi, se podrá recibir a través de la aplicación una notificación de que la puerta ha sido abierta.

Esta función se podrá activar/ desactivar usando la aplicación. Si su dispositivo conectado no está disponible, la función se podrá activar manteniendo presionados + y **Control Lock** (Bloqueo del Control) durante 3 segundos. Mantenga presionados + y **Control Lock** (Bloqueo del Control) nuevamente durante 3 segundos para desactivar la función.

Uso del Centro de Vinos

WiFi (para clientes en Estados Unidos, sus territorios, y Canadá)

- Descargue la Aplicación de **SmartHQ**.
 - Disponible para iPhone a través de Apple Store o del enlace en **GEAppliances.com**.
 - Disponible para Android a través de Google Play o del enlace en **GEAppliances.com**.
- Seleccione **Create Account** (Crear Cuenta) en la aplicación.
 - Ingrese la información y seleccione **Register** (Registro). Un e-mail será generado.
 - Se generará una verificación. Cuando reciba el e-mail, seleccione **Verify Account** (Verificar Cuenta).
 - Firme con sus credenciales y seleccione **Authorize** (Autorizar) para permitir que la aplicación tenga comunicación con su centro de vinos.
- Configure la aplicación.
 - Presione  en la parte superior de la pantalla.
 - Seleccione **Cafe > Refrigeration (Refrigeración) > Wine Center (Centro de Vinos)**.
 - El botón de información mostrará una imagen de la pantalla táctil en el electrodoméstico. Seleccione **OK**.
 - Luego **Next** (Siguiente).
- Presione **WiFi Connect** en el control. El símbolo WiFi comenzará a parpadear en la pantalla.
 - Seleccione **Next** (Próximo) en la aplicación.
- Encuentre la contraseña dentro de la centro de vinos, en la etiqueta de "Información del Electrodoméstico Conectado".
 - Ingrese la contraseña en la aplicación.
- Conecte el Módulo de WiFi del refrigerador en las configuraciones de WiFi del teléfono, y luego regrese a la aplicación **SmartHQ** y seleccione **Next** (Siguiente).
 - El WiFi tendrá el formato "GE_MODULE_XXXX". El número de modelo también se podrá encontrar en la etiqueta de Información del Electrodoméstico Conectado dentro de la refrigerador.
 - Realice la conexión a la red de WiFi del hogar y escriba la contraseña de WiFi del hogar.
 - Si aparecen todas las marcas de control y el usuario accede a una pantalla que dice que el dispositivo se encuentra conectado, entonces el dispositivo fue conectado con éxito.
 - Si la aplicación no logra conectarse, ésta exhibirá la pantalla "Oops! Something Went Wrong" (¡Uy! Algo Salió Mal). Se le darán al usuario razones posibles por las cuales la conexión falló, y la opción de intentar de nuevo.

INFORMACIÓN REGULATORIA

Declaración de Cumplimiento con FCC/IC:

Este dispositivo cumple con la Parte 15 de la Normativa de la FCC. Su funcionamiento está sujeto a las dos condiciones siguientes:

1. Este dispositivo no podrá causar interferencias perjudiciales.
2. Este dispositivo debe aceptar cualquier interferencia recibida, incluidas las interferencias que puedan provocar un funcionamiento no deseado.

Este equipo fue probado y cumple con los límites establecidos para un dispositivo digital de clase B, según la parte 15 de la Normativa de la FCC. Este producto fue probado y cumple con los límites establecidos para un dispositivo digital de Clase B, según la parte 15 de la Normativa de la FCC. Este equipo genera, usa y puede emitir energía de radiofrecuencia y, si no se instala y utiliza de acuerdo con las instrucciones, puede ocasionar interferencias perjudiciales sobre las comunicaciones radiales. Sin embargo, no se garantiza que no se presenten interferencias en una instalación en particular. Si el equipo provoca interferencias perjudiciales para la recepción de radio o televisión, lo que puede comprobar encendiendo y apagando el equipo, se aconseja al usuario que intente corregir la interferencia a través de una de las siguientes medidas:

- Reoriente o reubique la antena receptora.
- Aumente la separación entre el equipo y el receptor.
- Conecte el equipo a un tomacorriente de un circuito diferente al tomacorriente al cual se encuentra conectado el receptor.
- Para solicitar ayuda, consulte al proveedor minorista o a un técnico experimentado de radio/ TV.

Etiqueta: Las modificaciones sobre esta unidad no aprobadas expresamente por parte del fabricante podrían anular la autoridad del usuario para utilizar el equipo.

Uso del Centro de Vinos

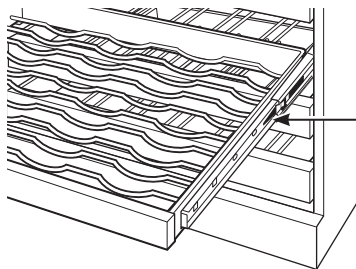
CAJONES CON EXTENSIÓN COMPLETA

Todos los cajones con extensión completa sobresalen de modo que se puedan agregar o retirar de modo conveniente.

Cualquiera de los cajones de extensión completa se podrán retirar a fin de guardar botellas más grandes.

Para retirar:

1. Empuje el cajón de extensión completa hacia afuera hasta la posición de DETENCIÓN.
2. Empuje la lengüeta de la guía del cajón derecho hacia abajo, mientras empuja la lengüeta de la guía izquierda hacia arriba, y empuje el cajón hacia afuera.

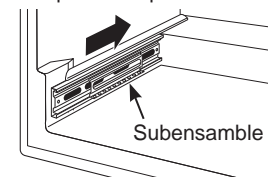


Lengüeta (empuje la lengüeta hacia abajo sobre la guía del cajón derecho, empuje la guía hacia arriba sobre la guía del cajón izquierdo)

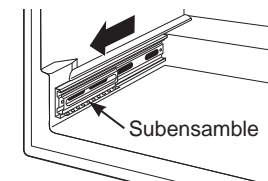
Para reemplazar:

1. Vuelva a empujar la corredera del cajón en la unidad.
2. Empuje el pequeño subensamble de la corredera completamente hacia adelante.
3. Vuelva a insertar los laterales del cajón sobre las guías.
4. Empuje hasta que las lengüetas se bloqueen en sus posiciones.

La apariencia puede variar.



Para reemplazar, vuelva a empujar la corredera en la unidad.



Empuje el pequeño subensamble de la corredera completamente hacia adelante.

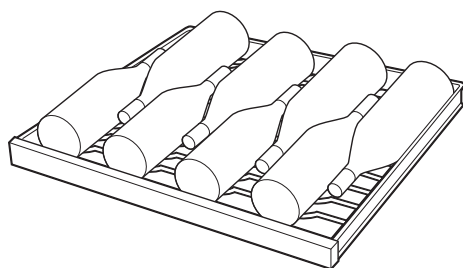
NOTA: Asegúrese de que las lengüetas sobre las guías del cajón de extensión completa estén totalmente adheridas antes de cargar las botellas. Empuje los cajones hacia afuera completamente hasta la posición de DETENCIÓN y empuje hacia atrás varias veces para asegurarse de que las lengüetas de bloqueo estén correctamente adheridas.

INSERTE LAS BOTELLAS DE VINO

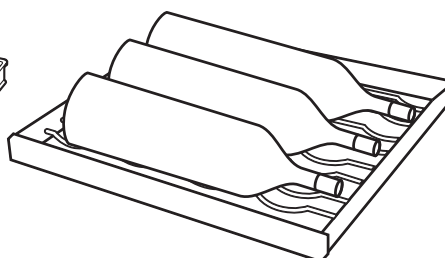
Cada uno de los cinco cajones superiores de extensión completa sostienen ocho botellas, dos de forma profunda con los cuellos alternando del frente a la parte trasera.

La repisa superior en cada área puede almacenar botellas más grandes orientándolas de forma lateral. Las otras repisas de profundidad completa pueden sostener 7 botellas en la orientación lateral. Esta orientación brinda una longitud adicional que podrá ser necesaria para algunas formas de botellas.

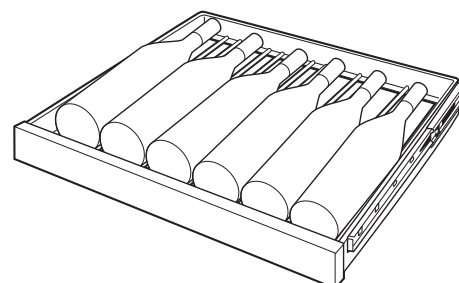
El cajón inferior con extensión completa sostiene seis botellas y se carga con los cuellos orientados hacia atrás.



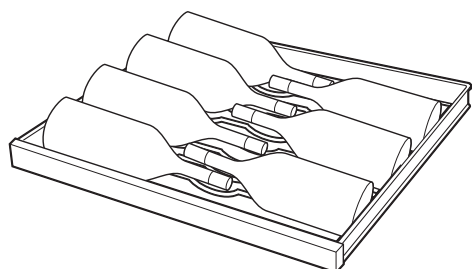
Configuración de 8 botellas



Configuración de botellas grandes – repisa superior de ambas áreas



Cajón inferior



Configuración de 7 botellas

Cuidado y Limpieza

Limpieza de la Parte Exterior

ACERO INOXIDABLE RESISTENTE A HUELLAS DACTILARES*

⚠ NO use limpiadores para acero inoxidable en las superficies de las puertas. ⚠

IMPORTANTE: El uso de productos inadecuados podrá dañar el acabado exterior del acero inoxidable resistente a huellas dactilares. Por favor siga estas instrucciones y use sólo los ítems adecuados que figuran a continuación para limpiar sus superficies de acero inoxidable.

- Limpie las superficies interiores/ exteriores con agua caliente, jabón suave o detergente, y una tela suave o de microfibra a fin de evitar daños.
- Seque las superficies del electrodoméstico con una tela suave y limpia o con una toalla de microfibra para evitar rayaduras o manchas de agua.

USE	NO NOT	
Soft, clean cloth or sponge Microfiber cloth	Telas adherentes, toallas de papel, esponjas abrasivas (con o sin jabón), almohadillas de estropajo o lana de acero	
Detergente suave mezclado con agua caliente	Polvos, líquidos o espráis abrasivos Espráis, amoníacos o blanqueadores para ventanas Limpiadores a base de cítrico o aceite vegetal Limpiadores ácidos o a base de vinagre	Limpiadores de horno Limpiadores alcalinos Limpiadores para acero inoxidable

*Elimine fácilmente manchas y huellas dactilares.

Limpieza de la Parte Interior

⚠ ADVERTENCIA



Riesgo de Descarga

Eléctrica

Desenchufe el electrodoméstico antes de limpiar. Si la unidad se encuentra en una ubicación en construcción, desconecte del disyuntor.

⚠ ADVERTENCIA



Riesgo de incendio o

Explosión Refrigerante Inflamable

Para eliminar la escarcha, raspe con una espátula o raspador de plástico o madera. No use un picahielos ni un instrumento metálico o de punta fina, ya que esto podrá perforar el revestimiento del electrodoméstico y luego la tubería del refrigerador que se encuentra detrás.

No use ningún dispositivo eléctrico para descongelar su electrodoméstico.

Si esto no resulta práctico, estruje el exceso de humedad para eliminarlo de la esponja o tela al limpiar alrededor de los interruptores, luces o controles.

Use agua caliente y solución de bicarbonato de sodio — aproximadamente una cuchara sopera (15 ml) de bicarbonato de sodio para un cuarto de galón (1 litro) de agua. Esto limpia y neutraliza los olores. Enjuague y seque.

⚠ PRECAUCIÓN

No limpie los estantes de vidrio ni tapas con agua caliente cuando estén fríos. Los estantes de vidrio y las tapas se pueden romper si son expuestos a cambios de temperatura repentinos o impactos tales como sacudones o caídas. El vidrio templado está diseñado para destruirse en pequeñas piezas en caso de rotura.

No lave ninguna parte plástica del centro de bebidas en el lavavajillas.

VACACIONES Y MUDANZAS

Vacaciones

Si estará fuera por un período de tiempo prolongado y no desea dejar el electrodoméstico encendido mientras no está, prepare el mismo para su ausencia.

1. Retire todos los ítems.
2. Mantenga presionada la tecla POWER (Encendido) sobre el panel de control durante 3 segundos para apagar la refrigeración.
3. Desenchufe o desconecte la corriente.

4. Limpie el interior. Consulte la sección de "Limpieza".
5. Deje la puerta abierta con un soporte, de modo que pueda circular aire dentro.

Preparación para la Mudanza

Asegure todos los ítems tales como estantes y cajones, pegando los mismos de forma segura en sus respectivos lugares a fin de evitar daños. Asegúrese de que el centro de bebidas permanezca en una posición erguida durante el movimiento.

Instrucciones de Instalación

Centro de Vinos

¿Preguntas? Visite nuestro sitio web en: cafeappliances.com
 En Canadá, visite nuestro sitio web en: cafeappliances.ca

ANTES DE COMENZAR

Lea estas instrucciones en su totalidad y atentamente.

- **IMPORTANTE** — Cumpla con todos los códigos y ordenanzas gubernamentales. Conserve estas instrucciones para uso del inspector local.
- **Nota para el Instalador** – Asegúrese de que el Consumidor conserve estas instrucciones.
- **Nota para el Comprador** – Conserve estas instrucciones para referencia futura.
- **Nivel de habilidad** – La instalación de este electrodoméstico requiere un nivel básico de habilidades mecánicas.
- **Tiempo de Instalación** – La instalación del refrigerador puede variar
- La correcta instalación del producto es responsabilidad del instalador.
- Si se producen fallas en el producto debido a una instalación inadecuada la Garantía no cubrirá las mismas.

⚠ ADVERTENCIA Peligro de Peso Excesivo

Cuente con la ayuda de dos o más personas para mover e instalar el centro de vinos. No seguir esta instrucción puede ocasionar una lesión en la espalda u otro tipo de lesiones.

IMPORTANTE: Sostenga con cuidado el centro de vinos al moverlo, a fin de evitar dañar la tubería de refrigerante o de incrementar el riesgo de pérdidas.

IMPORTANTE: Si el centro de vinos se ubicó en posición horizontal durante cualquier período de tiempo, espere una hora antes de enchufar el mismo, a fin de permitir que el refrigerante se asiente.

REQUISITOS DE UBICACIÓN

IMPORTANTE: Antes del uso, este centro de vinos se deberá instalar de forma correcta.

NOTA: Permita que el centro de vinos se apoye de forma erguida sobre su base durante por lo menos una hora antes de la instalación.

- No instale el centro de vinos donde la temperatura llegue a ser inferior a los 55°F (13°C), ya que no funcionará con la frecuencia necesaria para mantener las temperaturas apropiadas.
- No instale el centro de vinos donde la temperatura sea superior a los 110°F (43°C), ya que no funcionará de forma correcta.
- Instale el mismo en un piso lo suficientemente fuerte como para soportarlo completamente cargado.
- No instale el centro de vinos en una ubicación expuesta al agua (lluvia, etc.) o en contacto directo con la luz solar.

HERRAMIENTAS NECESARIAS

- Destornillador Phillips
- Cinta de medir
- Nivel de carpintero
- Destornillador con punta plana

PIEZAS SUMINISTRADAS

Soportes antivolcaduras (cant. 4)

Soportes de zócalos (cant. 2)

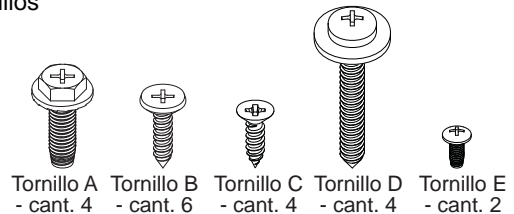
Guarda de protección (cant. 1)

Zócalo (cant. 1)

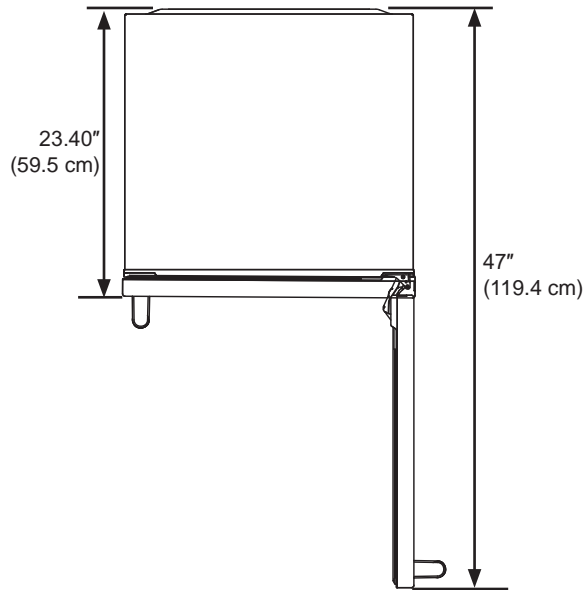
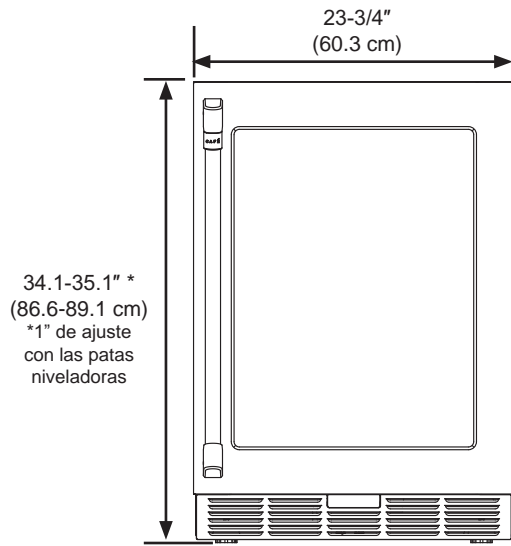
Manija (cant. 1)

Llave Allen de 1/8" (cant. 1)

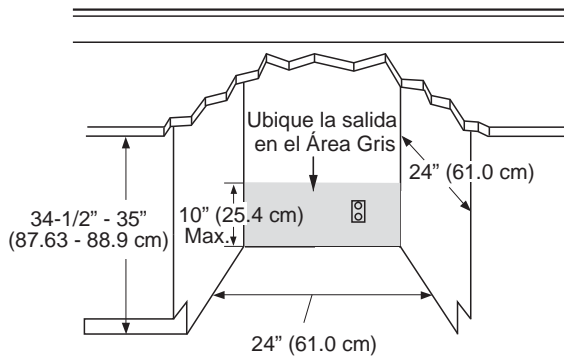
Tornillos



DIMENSIONES DEL CENTRO DE VINOS



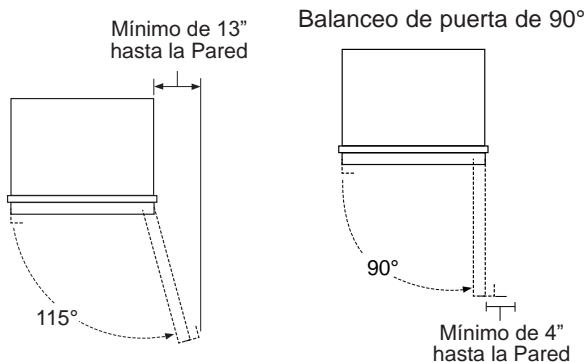
EL ESPACIO DE INSTALACIÓN



ESPACIOS LIBRES DEL PRODUCTO

Cuando la instalación se realice en una esquina:

- Deje un espacio libre mín. de 4" sobre el lateral de la bisagra para una apertura de puerta de 90° y para permitir el deslizamiento hacia afuera de los estantes.
- Deje un espacio libre mínimo de 13" sobre el lado de las bisagras para una apertura de puerta completa de 115°.



CÓMO QUITAR EL EMPAQUE

NOTA: El zócalo y la manija de la puerta (en algunos modelos) se incluyen en el embalaje que cubre la parte superior de la unidad. Se incluye una llave para la instalación de la manija en la bolsa de accesorios, ubicada en el cajón superior.

- Retire la cinta y los residuos de pegamento de las superficies antes de encender el centro de vinos. Frote un poco de detergente líquido para vajilla sobre el adhesivo con los dedos. Limpie con agua tibia y seque.

NOTA: No use instrumentos filosos, alcohol isopropílico, líquidos inflamables o productos de limpieza abrasivos para eliminar los restos de cinta o goma. Estos productos pueden dañar la superficie de su centro de vinos. Para más información, lea la sección de "Seguridad del Centro de Vinos".

- Deshágase de todos los materiales de empaque o recíclelos.

⚠ ADVERTENCIA

Los objetos pequeños representan un riesgo de asfixia para los niños. Retire y descarte cualquier pieza que no se use.

LIMPIEZA ANTES DEL USO

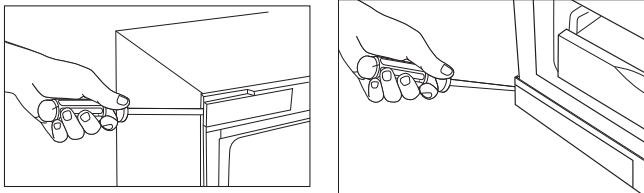
Luego de retirar todos los materiales de embalaje, limpie la parte interior del centro de vinos antes de su uso. Consulte las instrucciones de limpieza en la sección de "Cuidado del Centro de Vinos".

Instrucciones de Instalación

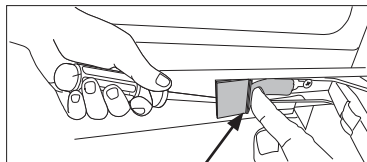
INSTALAR EL CENTRO DE VINOS

INVERSION DE LA APERTURA DE LA PUERTA - MODELOS CON MANIJA CAFÉ - CCP06DP****

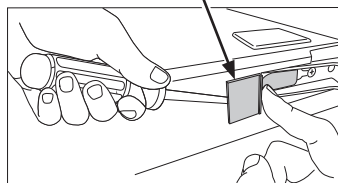
1. Abra la puerta y use un destornillador de punta plana para retirar las tapas superior e inferior del gabinete opuesto al lado de las bisagras.



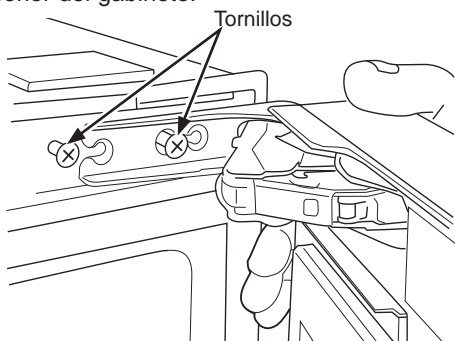
Retire las tapas de las bisagras superior e inferior para poder acceder a los tornillos. Presione sobre la lengüeta mientras retira la tapa con un destornillador de punta plana.



Presione para Liberar



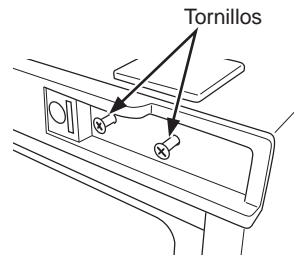
2. Afloje los tornillos que sostienen las bisagras superior e inferior del gabinete.



Tornillos

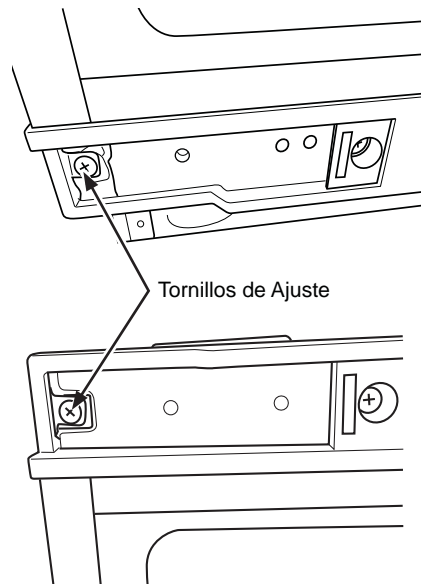
3. Realice el retiro de la puerta y deje las bisagras abiertas.

4. Retire los tornillos de las bisagras e instale los mismos del otro lado. Instale los tornillos sólo hasta la mitad, de modo que las bisagras se puedan deslizar detrás de las cabezas de los tornillos.



Tornillos

5. Retire los tornillos de ajuste e instale los mismos en las esquinas opuestas.



Tornillos de Ajuste

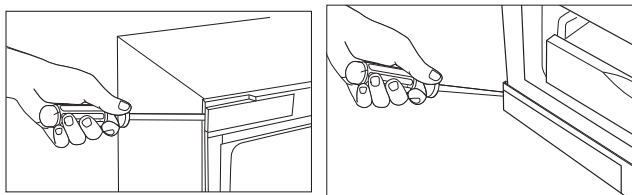
6. Voltee la puerta y deslice las bisagras detrás de las cabezas de los tornillos.

7. Ajuste los tornillos de las bisagras.

8. Instale las tapas al gabinete del otro lado.

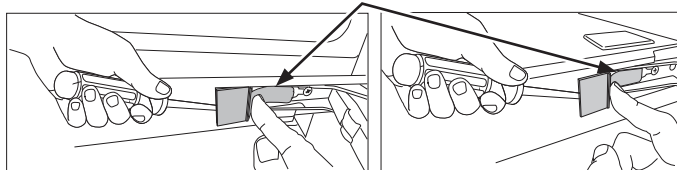
INVERSION DE LA APERTURA DE LA PUERTA - MODELOS CON MANIJA DE BOLSILLO - CCR06DM****

1. Open the door and use a flat head screw driver to remove the top and bottom covers from the cabinet opposite the hinge side.



Remove the top and bottom hinge covers to gain access to the screws. Push in on the tab while disengaging the cover with a flat head screw driver

Presione para Liberar

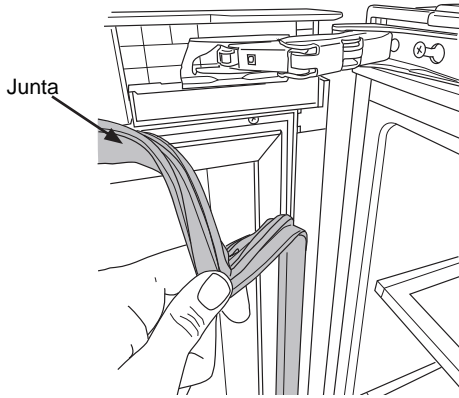


Instrucciones de Instalación

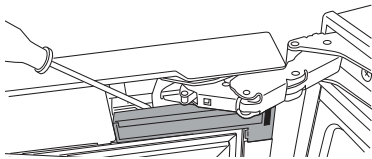
INSTALAR EL CENTRO DE VINOS (Cont.)

INVERSION DE LA APERTURA DE LA PUERTA - MODELOS CON MANIJA DE BOLSILLO - CCR06DM**** (Cont.)

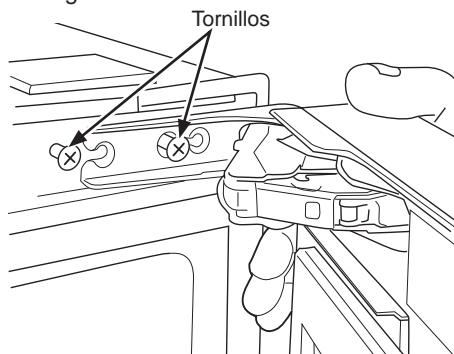
2. Despegue la junta y retire la misma de la puerta.



3. Use un destornillador plano para retirar las tapas de plástico cerca de las bisagras superior e inferior.

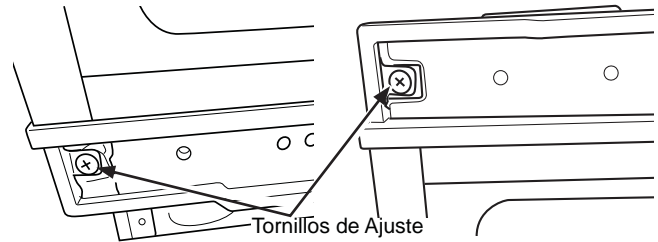


4. Afloje los tornillos que sostienen las bisagras superior e inferior del gabinete.

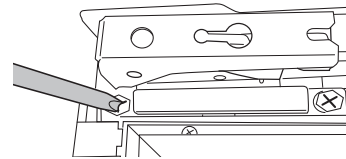


5. Retire los tornillos de ajuste e instale los mismos en las esquinas opuestas.

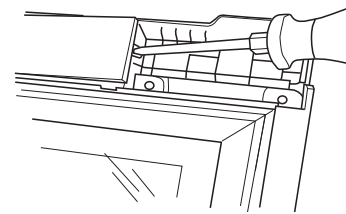
7. Retire los tornillos de ajuste e instale los mismos en las esquinas opuestas.



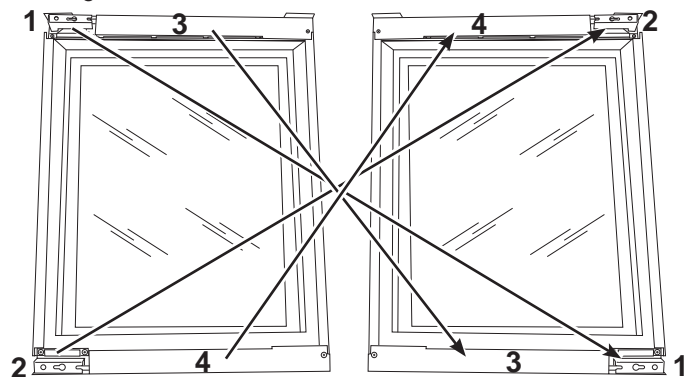
8. Retire las bisagras aflojando completamente los tornillos (2).



9. Use un destornillador plano para quitar la moldura superior e inferior de la puerta



10. Vuelva a instalar las bisagras y el marco de la puerta en ubicaciones opuestas como se muestra en las imágenes siguientes.



11. Abra las bisagras. Instale la puerta deslizando las bisagras detrás de las cabezas de los tornillos. Ajuste los tornillos.

12. Vuelva a instalar los marcos restantes del gabinete y la puerta. Vuelva a instalar la junta. Asegúrese de que la junta esté completamente asentada en el compartimiento de bolsillo.

⚠ ADVERTENCIA

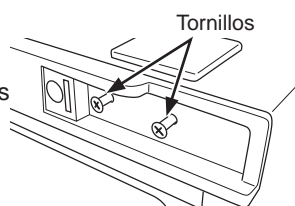


Riesgo de

Lastimadura con la Bisagra de la Puerta

Mientras cierra la bisagra, mantenga los dedos alejados de las partes móviles interiores de la bisagra.

6. Retire los tornillos de las bisagras e instale los mismos del otro lado. Instale los tornillos sólo hasta la mitad, de modo que las bisagras se puedan deslizar detrás de las cabezas de los tornillos.

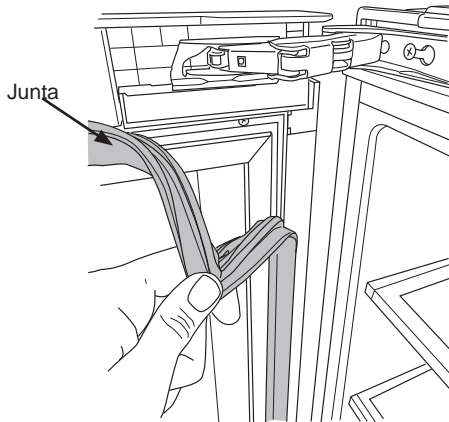


Instrucciones de Instalación

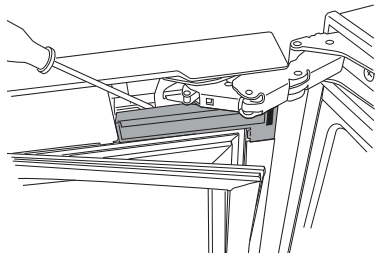
INSTALAR EL CENTRO DE VINOS (Cont.)

AJUSTE DE LA PUERTA

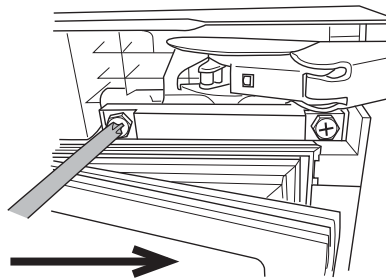
1. Quite la junta cerca de la bisagra.



2. Use un destornillador plano para retirar la tapa de plástico.



3. Afloje los tornillos para realizar el ajuste y luego ajuste el tornillo. **NOTA:** Empuje la puerta en la dirección de la flecha para elevar el lado de la puerta correspondiente a la manija.

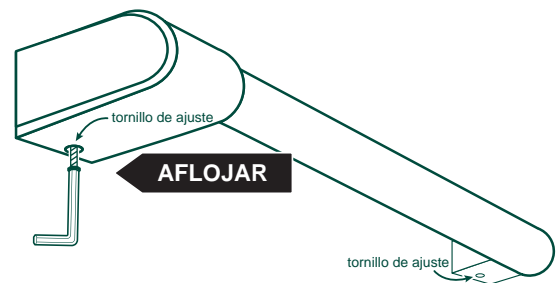


4. Vuelva a instalar la tapa de plástico y la junta. Asegúrese de que la junta esté completamente asentada en el compartimento.

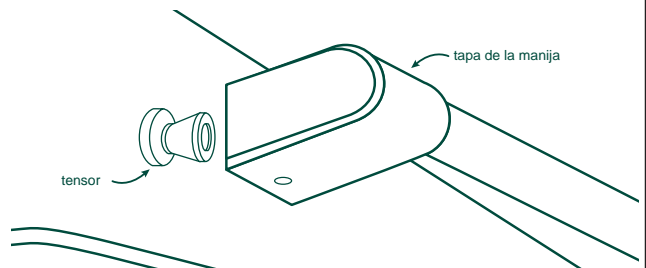
Retire toda la película protectora de las partes frontales del cajón antes de instalar las manijas.

INSTALACIÓN DE LAS MANIJAS

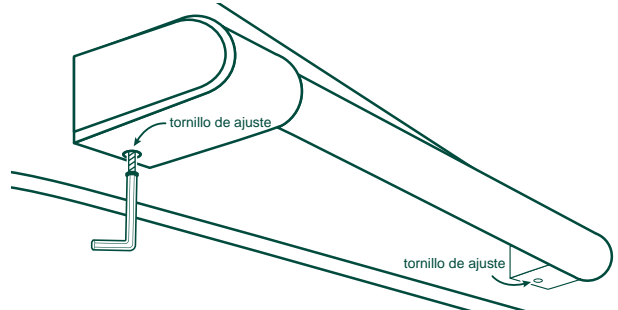
1. Retire la llave Allen para la manija de la bolsa de accesorios ubicada en el centro de vinos.
2. Retire las manijas de la pieza superior del material de embalaje. La manija con la etiqueta se deberá ubicar en el cajón superior, y la manija sin etiqueta en el cajón inferior.
3. Afloje el tornillo de ajuste utilizando la llave Allen.



Coloque las tapas de la manija sobre los tensores de la puerta. Asegúrese de sostener la manija de modo tal que no caiga y raye el acabado del electrodoméstico. Asegúrese de que ambas tapas de las manijas estén apoyadas sobre la base de la puerta.



4. Bloquee un extremo de la manija en su posición, ajustando el tornillo en la tapa de la manija con la llave Allen provista. **NO** ajuste en exceso.



5. Continúe sosteniendo la manija mientras bloquea el otro extremo de la manija en su posición, ajustando el tornillo en la tapa de la manija. **NO** ajuste en exceso.

Instrucciones de Instalación

INSTALAR EL CENTRO DE VINOS (Cont.)

MÉTODO 1

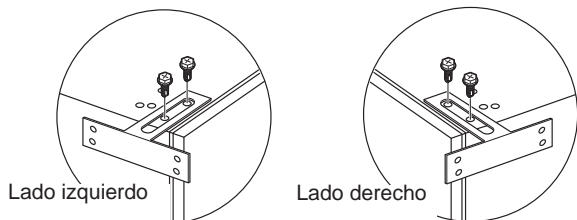
INSTALACIÓN EN EL BAJO MESADA

Nivele el Centro de Vinos

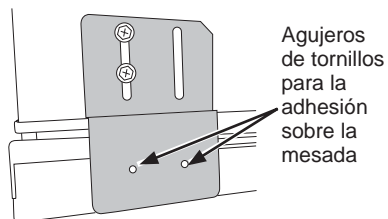
Es posible que sea necesario el ajuste de las patas niveladoras debajo del centro de vinos para un ajuste apropiado en la abertura del gabinete. Incline la unidad para ajustar la altura de las cuatro patas niveladoras.

Adhiera los soportes antivolcaduras

1. Retire las tapas de los agujeros de la parte superior del centro de vinos para revelar los agujeros usados para instalar los soportes antivolcaduras.
2. Quite los soportes antivuelco y los tornillos de la bolsa de accesorios.
3. Si realiza la instalación en gabinetes adyacentes, use el Tornillo A (cant. 4) sujete el soporte antivuelco a cada lado de la parte superior del armario.

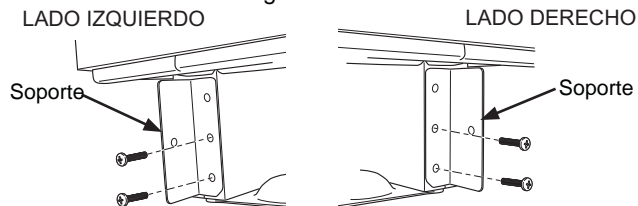


4. Si se instalará en la mesada, use el Tornillo A (Cant. 2) para adherir el soporte del lado de la bisagra.

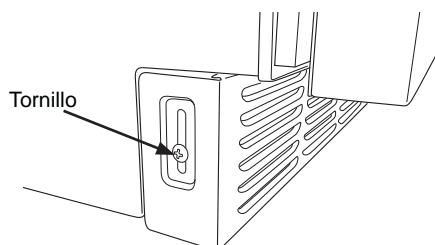


Instalación del Zócalo

1. Utilizando el Tornillo B (cant. 4), adhiera los soportes del zócalo a cada lado de la parte inferior del gabinete, como se muestra en la imagen.



2. Instale el zócalo. Use el Tornillo B o el Tornillo E, dependiendo del color de su zócalo.



CONECTE LA CORRIENTE

⚠ ADVERTENCIA  **PELIGRO DE CHOQUE ELÉCTRICO**

Conecte a un contacto de pared de conexión a tierra de 3 terminales.

No quite el terminal de conexión a tierra del cable de alimentación.

No use un adaptador.

No use un cable eléctrico de extensión.

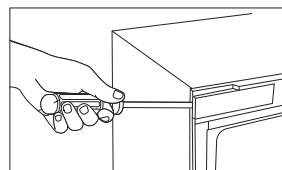
No seguir estas instrucciones puede ocasionar la muerte, incendio o choque eléctrico.

- Conecte a un contacto de pared de conexión a tierra de 3 terminales.

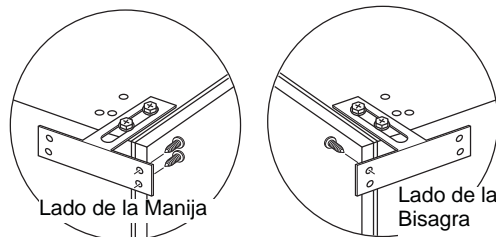
COMPLETE LA INSTALACIÓN -

Instalación sobre Gabinetes Adyacentes

1. Retire la tapa.



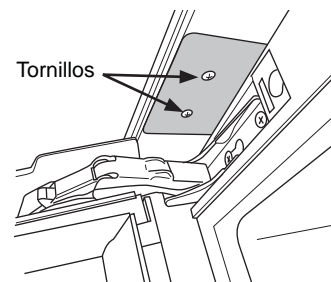
2. Deslice el centro de vinos debajo de la mesada.
3. Instale el centro de vinos en los gabinetes usando el Tornillo C (cant. 3).



4. Vuelva a instalar la tapa.

COMPLETE LA INSTALACIÓN - Instalación en Mesada

1. Deslice el centro de vinos debajo de la mesada.
2. Instale el centro de bebidas a los mesada usando el Tornillo C (cant. 2).



Instrucciones de Instalación

INSTALAR EL CENTRO DE VINOS (Cont.)

MÉTODO 2

INSTALACIÓN CON MODO DE PIE

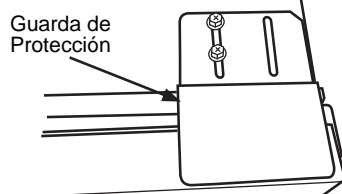
Adhiera la guarda de protección sobre la bisagra

1. Retire la tapa de los agujeros de la parte superior del lado de las bisagras del gabinete del centro de vinos, a fin de revelar los agujeros usados para instalar la guarda de protección.
2. Retire la guarda de protección y los tornillos de la bolsa de accesorios.

⚠ AVERTISSEMENT  **Riesgo de Lastimadura con la**

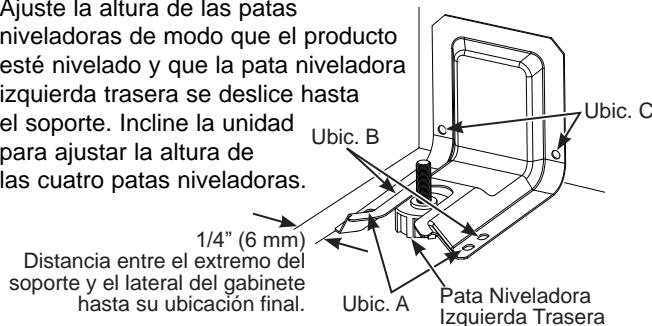
Bisagra de la Puerta
Una instalación inadecuada podrá conducir al riesgo de lastimaduras de dedos cerca de la bisagra al usar la puerta. En instalaciones que no se encuentran debajo de una mesada, siga las instrucciones de instalación. Se brinda una protección para limitar el acceso a la bisagra de la puerta.

3. Usando el Tornillo A (cant. 2), instale la guarda de protección del lado de las bisagras del gabinete, como se muestra.



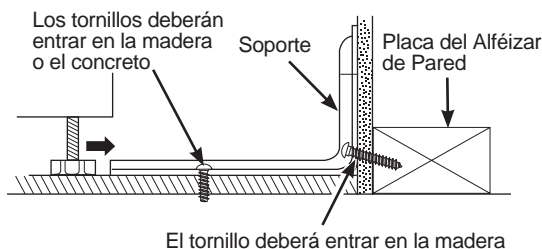
Nivele el Centro de Vinos

Ajuste la altura de las patas niveladoras de modo que el producto esté nivelado y que la pata niveladora izquierda trasera se deslice hasta el soporte. Incline la unidad para ajustar la altura de las cuatro patas niveladoras.



Soporte Antivolcaduras.

1. Determine la ubicación final del gabinete antes de intentar instalar el soporte. El soporte capturaré la nivelación izquierda trasera.
2. El soporte deberá ser atornillado al PISO o a la PARED TRASERA. 2 tornillos deberán entrar en el piso o la parte en las Ubic. A, B, o C.



INSTALACIÓN CON MODO DE PIE (cont.)

Instalación en el PISO:

PISO DE MADERA: Use el tornillo D (cant. 2) para asegurar el soporte usando el par de agujeros marcados (ya sea la Ubic. A o B).

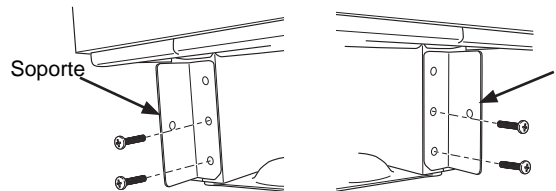
PISO DE CONCRETO: Use un tornillo que sea apropiado para aplicaciones de concreto y asegure el soporte al piso usando el par de agujeros marcados (ya sea la Ubic. A o B). Tornillos para aplicaciones de concreto que se proveen con la unidad

Instalación en PARED TRASERA:

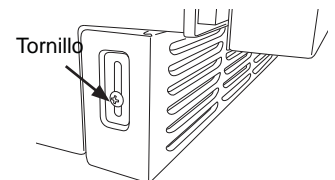
Use el tornillo D (cant. 2) para asegurar el soporte usando el par de agujeros marcados en la Ubic. C. Los tornillos DEBERÁN entrar en la placa del alféizar de madera. Si la pared contiene clavos metálicos o materiales similares, entonces se deberá usar el piso.

Instalación del Zócalo

1. Utilizando el Tornillo B (cant. 4), adhiera los soportes del zócalo a cada lado de la parte inferior del gabinete, como se muestra en la imagen.



2. Instale el zócalo. Use el Tornillo B o el Tornillo E, dependiendo del color de su zócalo.



CONECTE LA CORRIENTE

⚠ ADVERTENCIA  **PELIGRO DE CHOQUE ELÉCTRICO**

Conecte a un contacto de pared de conexión a tierra de 3 terminales.

No quite el terminal de conexión a tierra del cable de alimentación.

No use un adaptador.

No use un cable eléctrico de extensión.

No seguir estas instrucciones puede ocasionar la muerte, incendio o choque eléctrico.

- Brancher sur une prise à 3 alvéoles reliée à la terre.

COMPLETE LA INSTALACIÓN

Deslice el centro de vinos hasta su ubicación final. La pata niveladora trasera deberá estar completamente insertada en el soporte antivolcaduras.

Consejos para la Solución de Problemas... Antes de solicitar el servicio técnico

¡Ahorre tiempo y dinero! Primero revise los cuadros que aparecen en las siguientes páginas y es posible que no necesite solicitar reparaciones.

Problema	Causas Posibles	Qué Hacer
El centro de vinos no funciona	El centro de vinos está desenchufado.	Enchufe el cable de corriente en el tomacorriente.
	El disyuntor se desconectó o apagó/ Se quemó el fusible.	Reinicie/ Active el disyuntor o reemplace el fusible.
El compresor del centro de vinos funciona de forma frecuente o por períodos de tiempo prolongados.	Normal cuando se enchufa por primera vez	Espere 24 horas hasta que el centro de vinos se enfríe completamente.
	Botellas calientes o grandes cantidades agregadas	Esto es normal.
	La puerta se dejó entreabierta.	Asegúrese de que ningún producto haya impedido el cierre de la puerta.
	Clima cálido o apertura frecuente	Esto es normal para mantener la temperatura constante durante los días cálidos y húmedos.
	La junta no está correctamente sellada.	Limpie la junta.
El centro de vinos produce olor.	Interior needs to be cleaned	Clean the interior. See "Cleaning."
La luz no se enciende.	El centro de vinos está desenchufado.	Enchufe en el tomacorriente.
	La luz LED está quemada.	Comuníquese con un técnico calificado para reemplazar la luz LED que se quemó.
Vibración o traqueteo	El centro de vinos no se apoya de manera firme en el piso.	Consulte la sección de "Nivelación".
Sonidos normales	Se escucha el sonido de agua que circula desde el centro de vinos.	El refrigerante que circula por las tuberías producirá este sonido cuando el compresor se inicie y se detenga.
	Sonidos de zumbido	Es posible que el compresor y los ventiladores produzcan este sonido. Si el centro de vinos no está nivelado, el sonido será más fuerte.
	Sonidos de crujido y clic	Las piezas interiores realizarán este sonido al contraerse y expandirse en respuesta a los cambios de temperatura.
TEMPERATURA Y HUMEDAD		
El centro de vinos está demasiado caliente.	El control de temperatura no se configuró en un nivel lo suficientemente frío.	El control de temperatura no se configuró en un nivel lo suficientemente frío.
	La puerta se abre con frecuencia o se deja abierta.	Mantenga la puerta cerrada / Controle que un paquete no esté impidiendo el cierre de la puerta.
	Se agregaron botellas calientes de forma reciente.	Deje pasar tiempo hasta que el centro de comidas y vinos se enfríe.
	La junta no está correctamente sellada.	Limpie la junta.
El centro de vinos está demasiado frío.	El control de temperatura está configurado en una temperatura demasiado baja.	Ajuste la temperatura del compartimiento en la siguiente configuración más caliente; espere 24 horas hasta que se realice el ajuste.
Humedad en el exterior / interior del centro de vinos	Nivel alto de humedad	Esto es normal. Seque la superficie y ajuste la temperatura en una configuración levemente más fría.
	Las puertas se abren con frecuencia o se dejan abiertas.	Mantenga la puerta cerrada. Controle que un paquete no esté impidiendo el cierre de la puerta.
	La junta no está correctamente sellada.	Limpie la junta.

Café Garantía Limitada

cafeappliances.com

Todo el servicio de garantía es provisto por nuestros Centros de Servicio de Fabricación, o un técnico autorizado de o un técnico autorizado de servicio. Para programar una visita del servicio técnico, visítenos en cafeappliances.com/service. Cuando llame para solicitar el servicio, tenga los números de serie y modelo disponibles. En Canadá, visite cafeappliances.ca/service.

Para realizar el servicio técnico de su refrigerador se podrá requerir el uso de datos del puerto de abordaje para su diagnóstico. Esto da al técnico del Servicio de Fábrica de Café la habilidad de diagnosticar de forma rápida cualquier problema con su electrodoméstico, y de ayudar a Café a mejorar sus productos al brindarle a Café la información sobre su electrodoméstico. Si no desea que los datos de su electrodoméstico sean enviados a Café, solicitamos que le indique a su técnico NO entregar los datos a Café en el momento del servicio.

Por el Período de:	Café Reemplazará
Un Año Desde la fecha de la compra original	Cualquier parte del centro de vinos que falle debido a un defecto en los materiales o la fabricación. Durante esta garantía limitada de un año , Café también proveerá, sin costo , todo el trabajo y el servicio relacionado con el reemplazo de la parte que presente defectos.
Cinco Años Desde la fecha de la compra original	Cualquier parte del sistema de refrigeración sellado (el compresor, condensador, evaporador y todas las tuberías de conexión) que falle debido a un defecto en los materiales o la fabricación. Durante esta garantía de cinco años del sistema de refrigeración sellado , Café también proveerá, sin costo , todo el trabajo y el servicio relacionado con el reemplazo de la parte que presente defectos en el sistema de refrigeración sellado.

Qué No Está Cubierto:

- Viajes del técnico del servicio a su hogar para enseñarle sobre cómo usar el producto.
- Instalación, entrega o mantenimiento inadecuados.
- Fallas del producto en caso de abuso, mal uso, o uso para propósitos diferentes al original o uso comercial.
- Pérdida de alimentos por mal estado.
- Reemplazo de fusibles de la casa o reinicio de disyuntores.
- Daños sobre el acabado, tales como óxido sobre la superficie, deslustres o manchas pequeñas no informadas dentro de las 48 horas luego de la entrega.
- Daños ocasionados sobre el producto por accidente, incendio, inundaciones o catástrofes naturales.
- Daños consecuentes o incidentales causados por posibles defectos de este producto.
- Producto no accesible para brindar el servicio requerido.

EXCLUSIÓN DE GARANTÍAS IMPLÍCITAS—Su única y exclusiva alternativa es la reparación del producto, como se indica en la Garantía Limitada. Las garantías implícitas, incluyendo garantías implícitas de comerciabilidad o conveniencia sobre un propósito particular, se limitan a un año o al período más corto permitido por la ley.

Esta garantía limitada se extiende al comprador original y a cualquier dueño subsiguiente de productos comprados para uso hogareño dentro de EE.UU. Si el producto está en un área donde no se encuentra disponible un Proveedor Autorizado del Servicio Técnico de Café, usted será responsable por el costo de un viaje o se podrá requerir que traiga el producto a una ubicación del Servicio Técnico de Café Autorizado para recibir el servicio. En Alaska, la garantía limitada excluye el costo de envío o llamadas del servicio a su hogar. Algunos estados no permiten la exclusión o limitación de daños fortuitos o consecuentes. Esta garantía limitada le da derechos legales específicos y es posible que tenga otros derechos legales que varían entre un estado y otro. Para conocer cuáles son sus derechos legales, consulte a la oficina de asuntos del consumidor local o estatal o al Fiscal de su estado.

Warrantor: GE Appliances, a Haier company
Louisville, KY 40225

Para Clientes en Canadá: Esta garantía limitada se extiende al comprador original y a cualquier dueño subsiguiente de productos comprados para uso hogareño dentro de Canadá. El servicio técnico hogareño de la garantía será brindado en áreas donde Mabe se encuentre disponible y lo considere apropiado.

Garante en Canadá: MC Commercial, Inc., Burlington, Ontario, L7R 5B6

GARANTÍA LIMITADA

Abroche su recibo aquí. Para acceder al servicio técnico de acuerdo con la garantía deberá contar con la prueba de la fecha original de compra.

Soporte para el Consumidor

Sitio Web de Café

¿Desea realizar una consulta o necesita ayuda con su electrodoméstico? ¡Intente a través del Sitio Web de Café las 24 horas del día, cualquier día del año! Usted también puede comprar más electrodomésticos maravillosos de CAFÉ y aprovechar todos nuestros servicios de soporte a través de Internet, diseñados para su conveniencia.
En EE.UU.: cafeappliances.com

Registre su Electrodoméstico

¡Registre su electrodoméstico nuevo a través de Internet, según su conveniencia! Un registro puntual de su producto permitirá una mejor comunicación y un servicio más puntual de acuerdo con los términos de su garantía, en caso de surgir la necesidad. También puede enviar una carta en la tarjeta de inscripción preimpresa que se incluye con el material embalado.
En EE.UU.: cafeappliances.com/register

Servicio Programado

El servicio de reparación de expertos de Café está a sólo un paso de su puerta. Conéctese a través de Internet y programe su servicio a su conveniencia cualquier día del año. En EE.UU.: cafeappliances.com/service

Garantías Extendidas

Adquiera una garantía extendida de Café y conozca los descuentos especiales que están disponibles mientras su garantía aún está vigente. La puede adquirir en cualquier momento a través de Internet. Los servicios de Café aún estarán allí cuando su garantía caduque.
En EE.UU.: cafeappliances.com/extended-warranty

Piezas y Accesorios

Aquellos individuos calificados para realizar el servicio técnico de sus propios electrodomésticos podrán solicitar el envío de piezas o accesorios directamente a sus hogares (se aceptan las tarjetas VISA, MasterCard y Discover). Ordene hoy a través de Internet durante las 24 horas, todos los días. En EE.UU.: cafeappliances.com.

Las instrucciones que figuran en este manual cubren los procedimientos que serán realizados por cualquier usuario. Otros servicios técnicos generalmente deben ser derivados a personal calificado del servicio. Se deberá tener cuidado, ya que una reparación indebida podrá hacer que el funcionamiento no sea seguro.

Contáctenos

Si no se encuentra satisfecho con el servicio que recibió de Café, comuníquese con nosotros a través de nuestro sitio Web con todos los detalles, incluyendo su número telefónico, o escriba a:

En EE.UU.: General Manager, Customer Relations | GE Appliances, Appliance Park | Louisville, KY 40225
GEAppliances.com/contact